



US00D795150S

(12) **United States Design Patent**  
**Tran**

(10) **Patent No.:** **US D795,150 S**

(45) **Date of Patent:** **\*\* Aug. 22, 2017**

(54) **WHEEL**

(71) Applicant: **Wheel Pros, LLC**, Greenwood Village, CO (US)

(72) Inventor: **Peter Tran**, Lake Hughes, CA (US)

(\*\*) Term: **15 Years**

(21) Appl. No.: **29/569,091**

(22) Filed: **Jun. 23, 2016**

(51) **LOC (10) Cl.** ..... **12-16**

(52) **U.S. Cl.**  
USPC ..... **D12/209**

(58) **Field of Classification Search**  
USPC ..... D12/204–213  
CPC .... B60B 7/00; B60B 7/02; B60B 7/04; B60B 7/01; B60B 7/06; B60B 3/02; B60B 3/04; B60B 3/06; B60B 3/10; B60B 1/00; B60B 1/08; B60B 1/10; B60B 1/12  
See application file for complete search history.

(56) **References Cited**

U.S. PATENT DOCUMENTS

D88,510 S	*	12/1932	Eksergian	.....	D12/209
D91,456 S	*	2/1934	Eksergian et al.	.....	D12/209
D203,931 S	*	3/1966	Hibbard	.....	D12/211
D268,261 S	*	3/1983	Boyer	.....	D12/211
D268,750 S	*	4/1983	Eichstadt	.....	D12/209
D273,102 S		3/1984	Woodward		
D291,796 S		9/1987	Reid		
D339,561 S	*	9/1993	Maiworm	.....	D12/211
D345,338 S	*	3/1994	Gabath	.....	D12/209
D361,975 S		9/1995	Weld		
D406,807 S	*	3/1999	Shikado	.....	D12/211
D408,775 S		4/1999	Shikado		
D453,724 S		2/2002	Hodges		
D455,698 S		4/2002	Chung		
D456,332 S		4/2002	Vian		

D464,010 S		10/2002	Chung		
D467,212 S		12/2002	Noriega		
D478,542 S		8/2003	Sulahian		
D482,996 S		12/2003	Sulahian		
D492,925 S		7/2004	Fitzgerald		
D496,317 S		9/2004	Kataoka		
D530,255 S	*	10/2006	Pfeiffer	.....	D12/211
D569,777 S		5/2008	Chung		
D573,523 S	*	7/2008	McMath	.....	D12/211
D576,936 S		9/2008	Imai		
D578,457 S		10/2008	Guidry		
D598,357 S		8/2009	Chung		
D638,767 S		5/2011	Groom		
D660,772 S	*	5/2012	Gotschke	.....	D12/211
D666,959 S	*	9/2012	Lucaora	.....	D12/211
D669,009 S		10/2012	Chung		
D695,193 S		12/2013	Kong		
D698,298 S		1/2014	Cortes		
D698,300 S		1/2014	Chung		
D711,304 S		8/2014	Chung		
D715,210 S	*	10/2014	Wolff	.....	D12/211
D715,211 S		10/2014	Gotschke		
D725,017 S	*	3/2015	Harriton	.....	D12/209
D726,628 S		4/2015	Kong		

(Continued)

*Primary Examiner* — Stacia Cadmus

(74) *Attorney, Agent, or Firm* — Eric Hanscom; Todd J. Langford

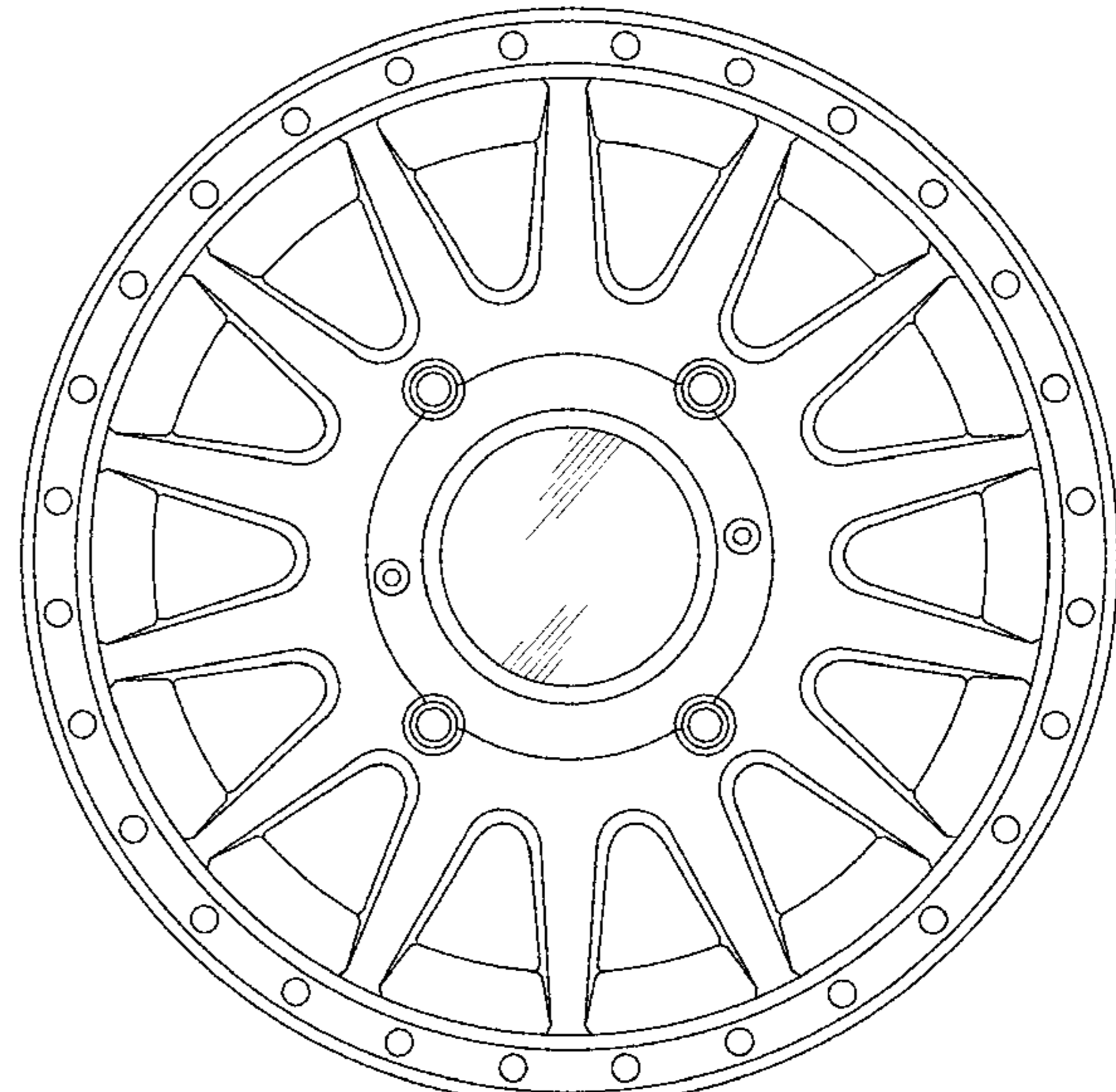
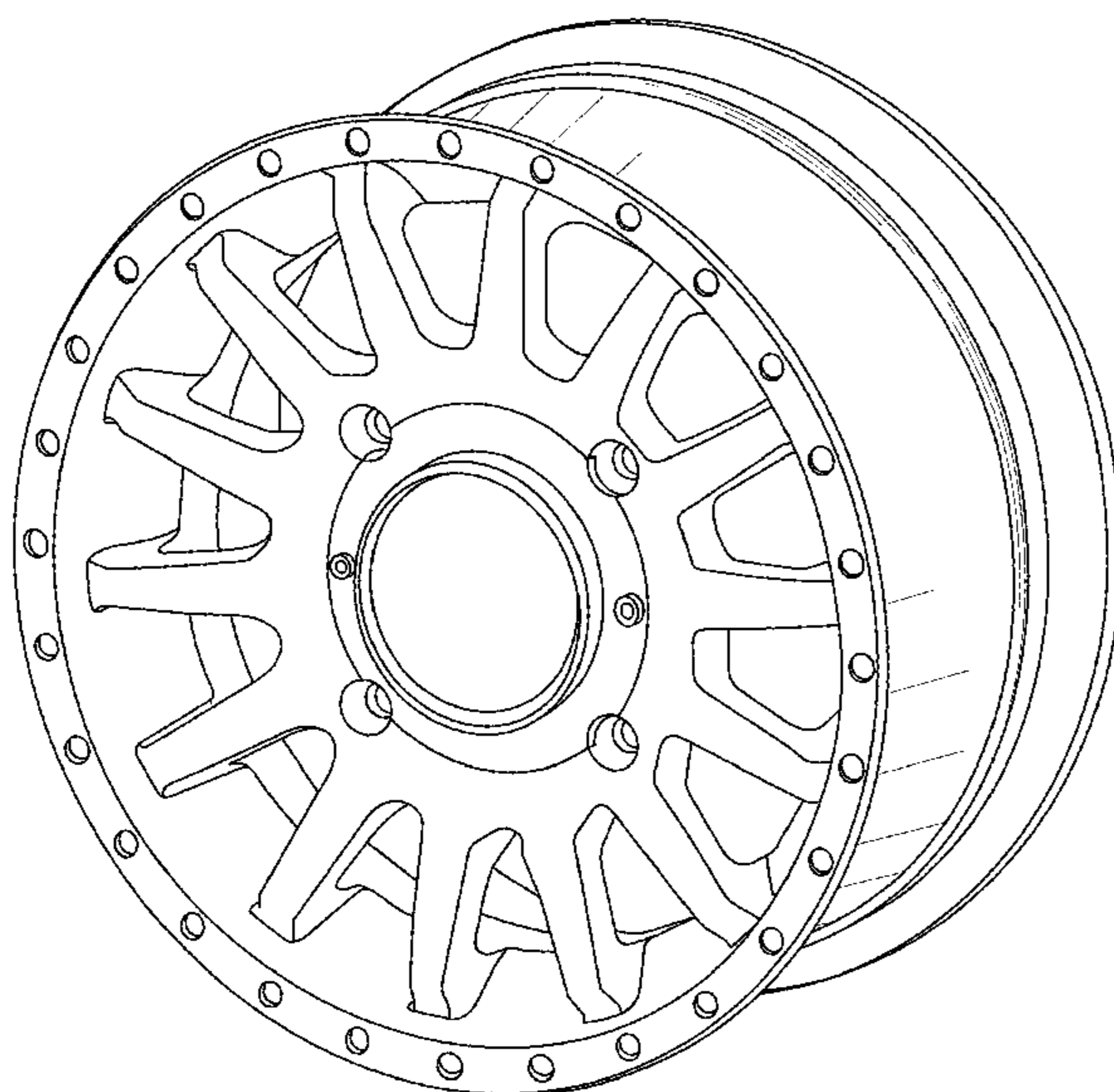
(57) **CLAIM**

The ornamental design for a wheel, as shown and described.

**DESCRIPTION**

FIG. 1 is a perspective view of a wheel showing my new design;  
FIG. 2 is a front view thereof;  
FIG. 3 is a right-side view thereof;  
FIG. 4 is a left-side view thereof;  
FIG. 5 is a top view thereof; and,  
FIG. 6 is a bottom view thereof.

**1 Claim, 4 Drawing Sheets**



(56)

**References Cited**

U.S. PATENT DOCUMENTS

D751,487 S *	3/2016	Harriton .....	D12/211
D755,102 S *	5/2016	Ebel .....	D12/211
D758,944 S *	6/2016	Rolfs .....	D12/209
D763,161 S *	8/2016	Morgenstern .....	D12/211

\* cited by examiner

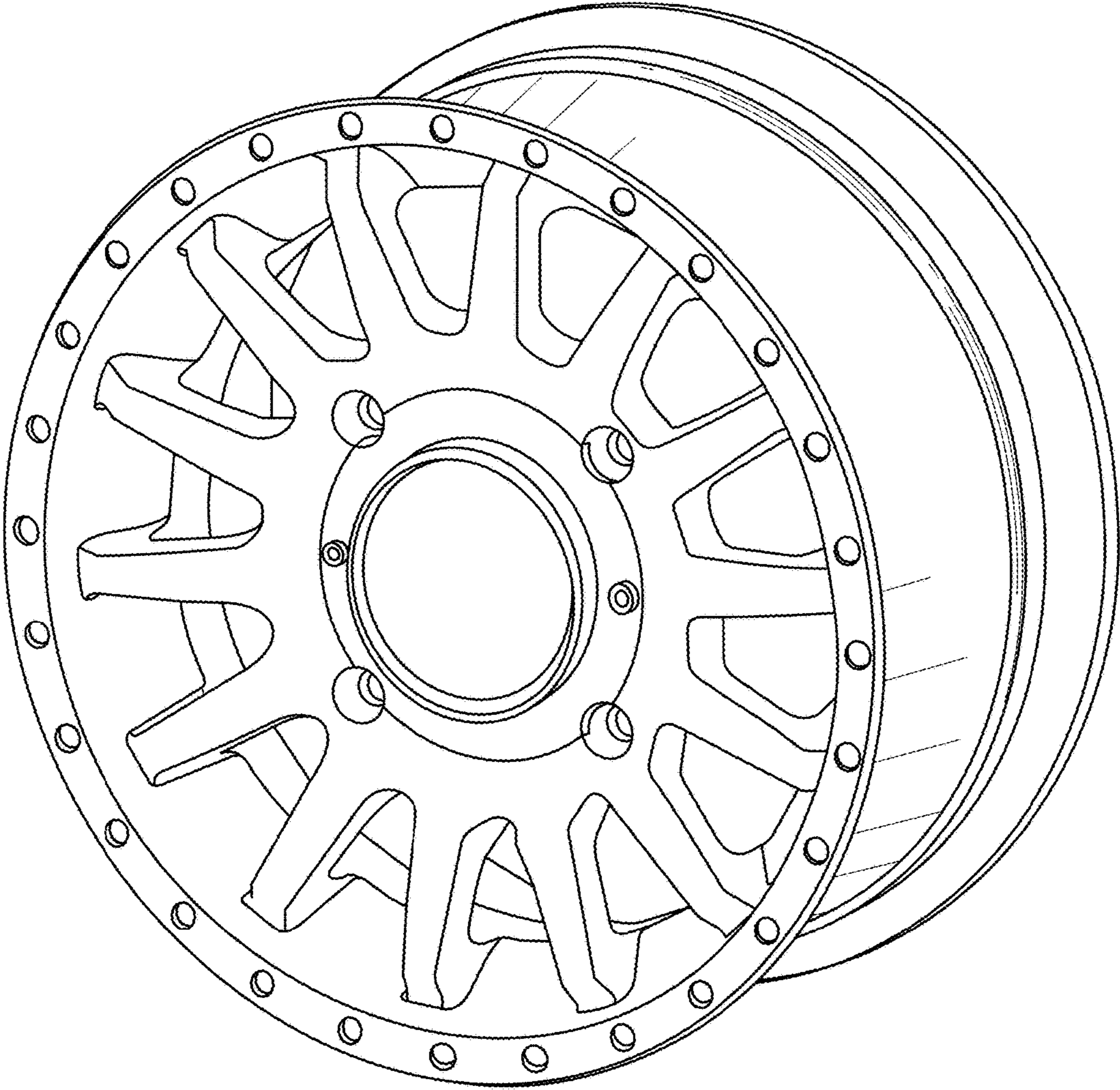


FIG. 1

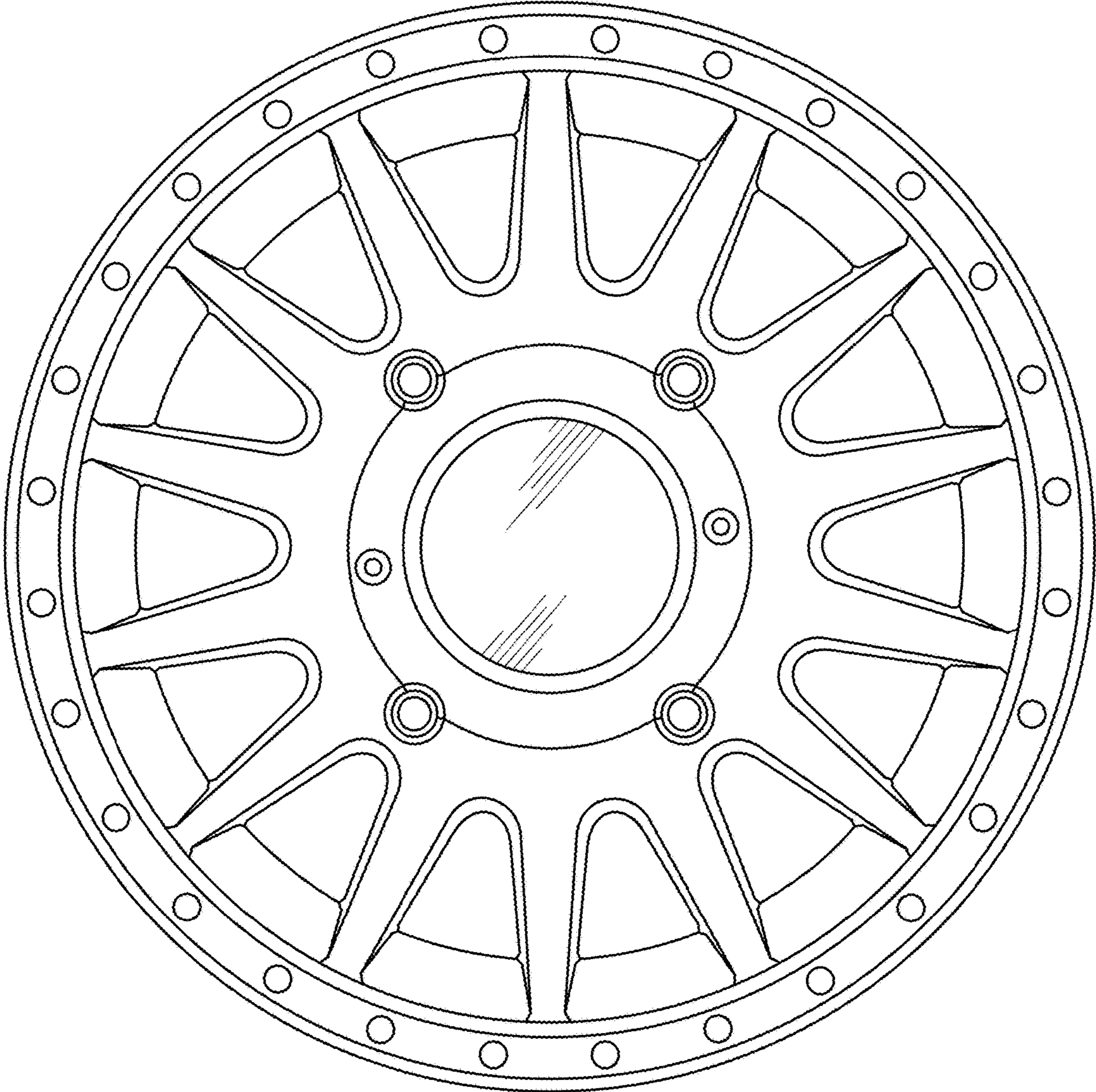


FIG. 2

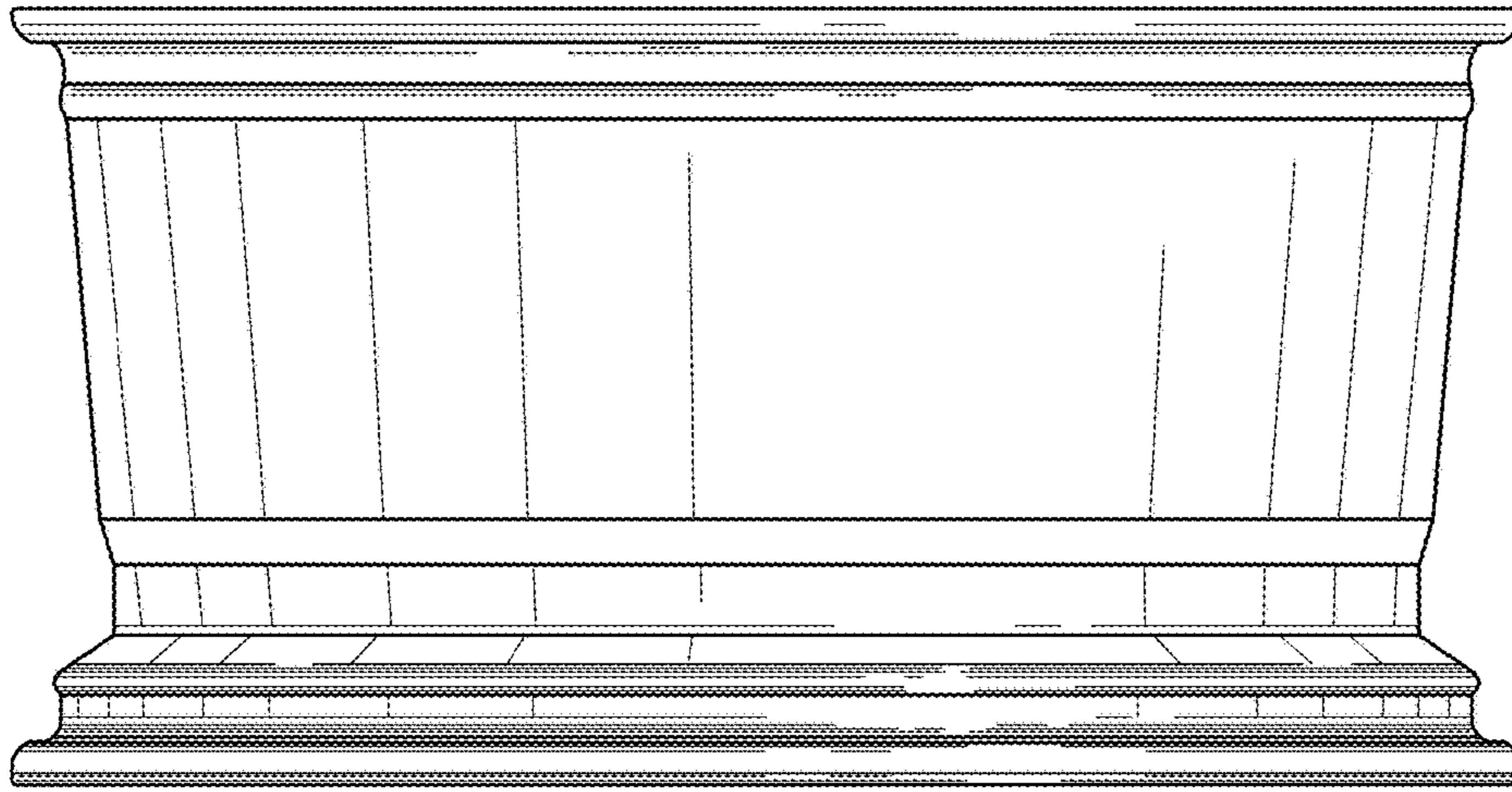


FIG. 4

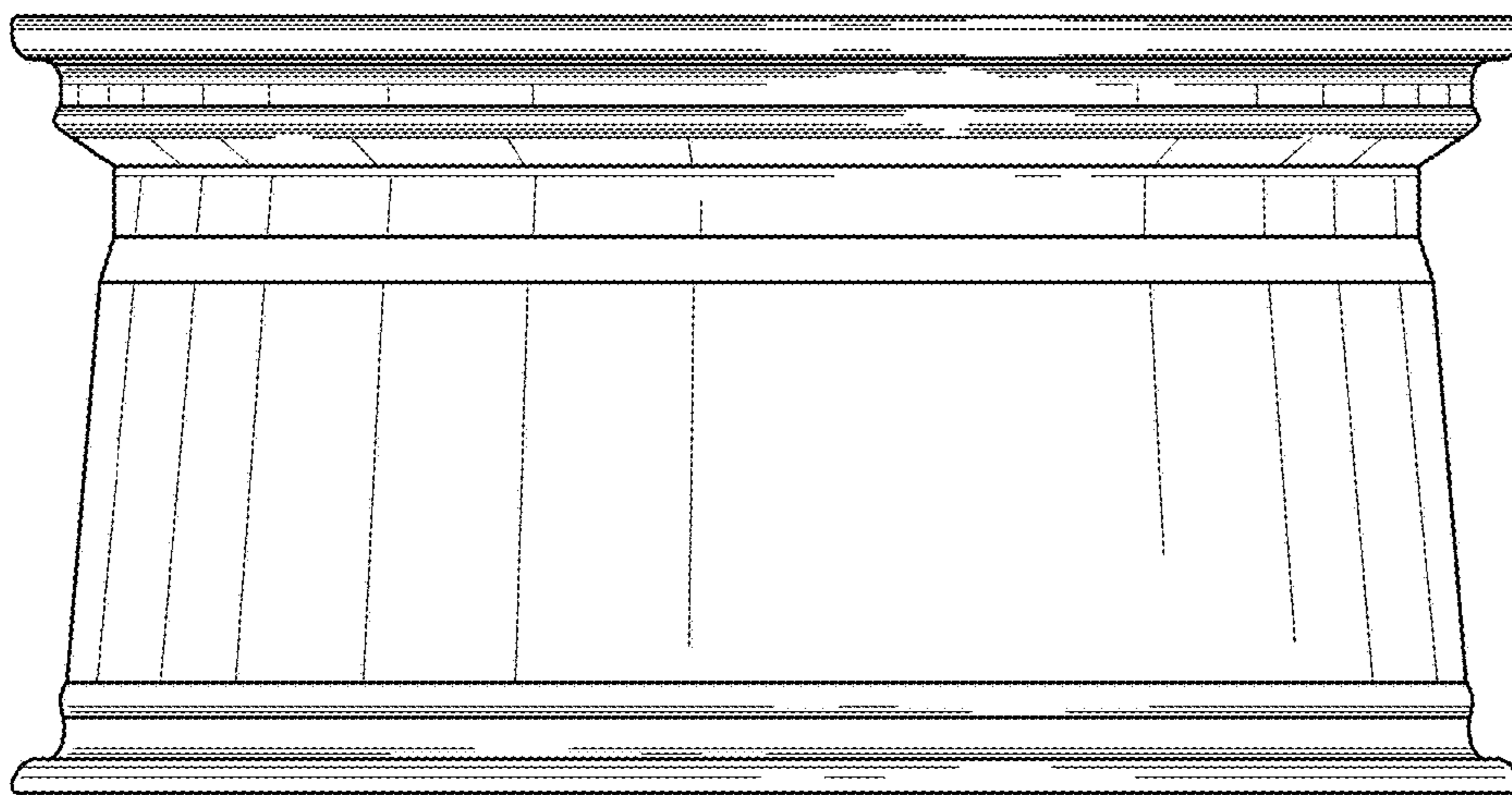


FIG. 3

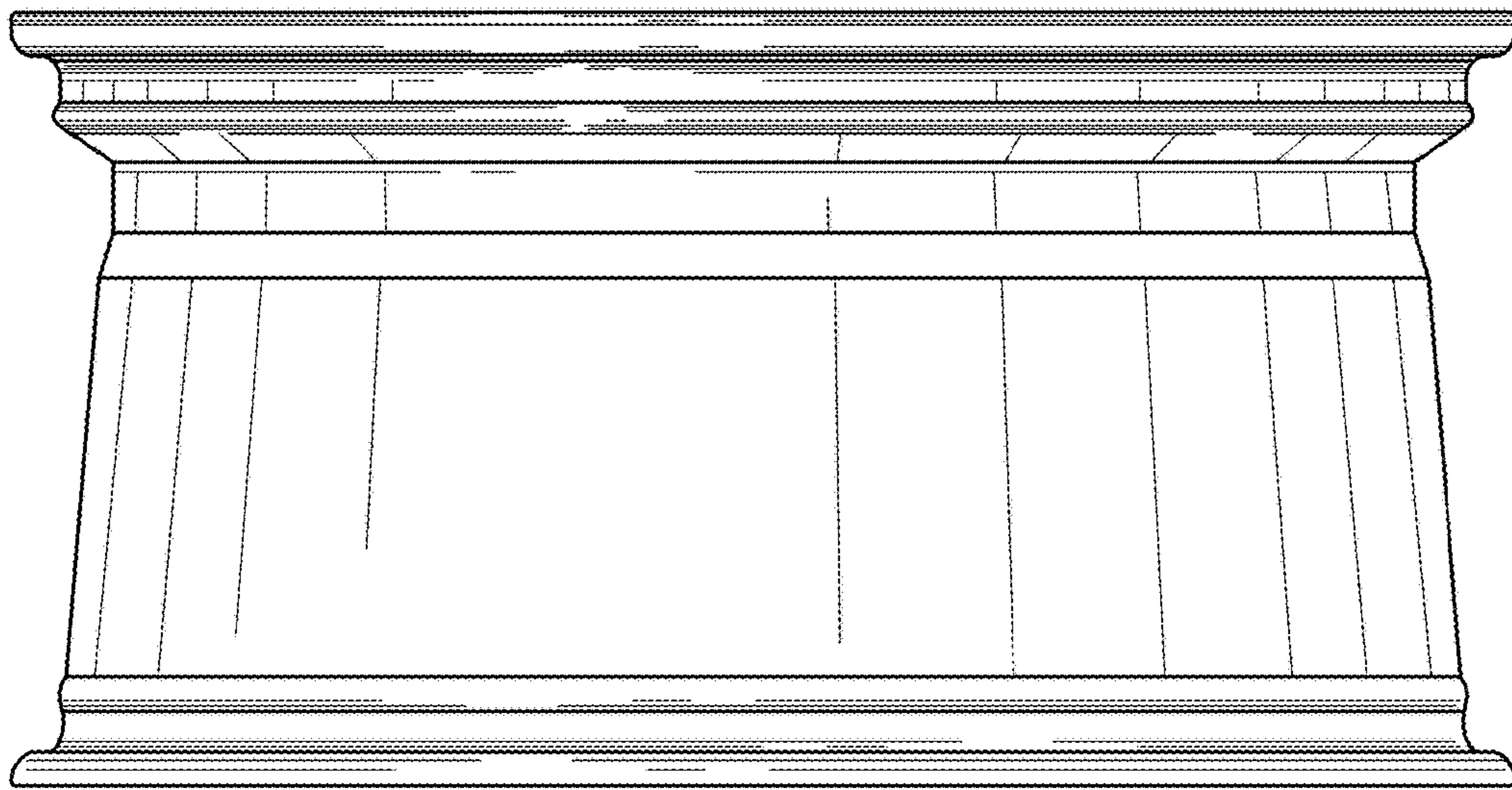


FIG. 5

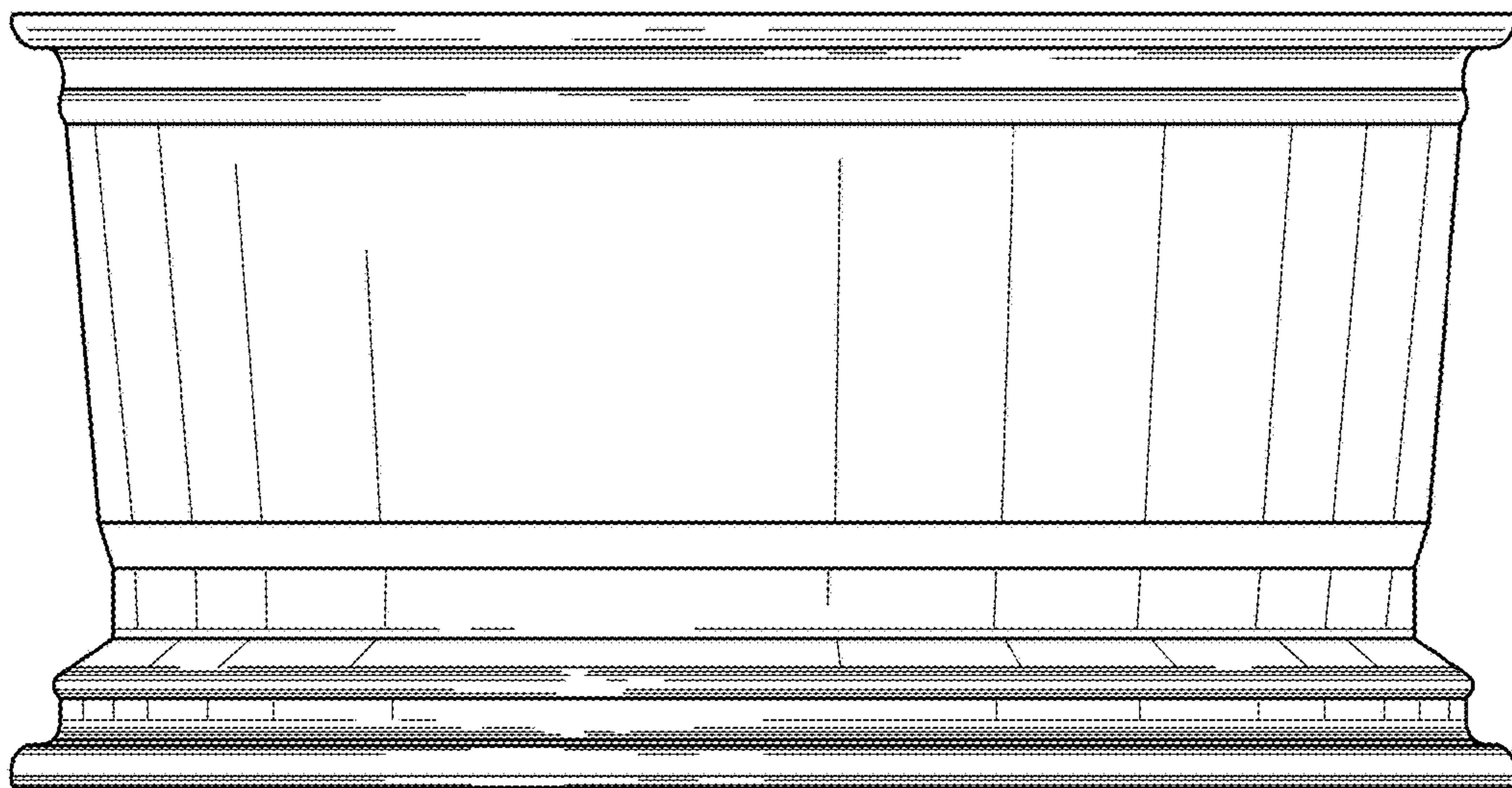


FIG. 6