



US00D795149S

(12) **United States Design Patent** (10) **Patent No.:** **US D795,149 S**  
**Digman et al.** (45) **Date of Patent:** **\*\* Aug. 22, 2017**

(54) **TIRE**

(71) Applicant: **The Goodyear Tire & Rubber Company, Akron, OH (US)**

(72) Inventors: **Brian David Digman**, Sagamore Hills, OH (US); **Charles Kenneth Schmalix**, Canal Fulton, OH (US); **George Leo Simms**, Shaker Heights, OH (US); **Nicholas Albert Poginy**, Akron, OH (US); **Bart Wakefield Kimble**, Stow, OH (US)

(73) Assignee: **The Goodyear Tire & Rubber Company, Akron, OH (US)**

(\*\*) Term: **15 Years**

(21) Appl. No.: **29/561,846**

(22) Filed: **Apr. 20, 2016**

(51) **LOC (10) Cl.** ..... **12-15**

(52) **U.S. Cl.**  
USPC ..... **D12/209**

(58) **Field of Classification Search**  
USPC ..... 152/5, 151, 152.1, 167, 208, 152/209.1–209.28, 246, 450, 526, 527, 152/532, 535, 538, 541; D12/145, D12/500–605, 900–901  
CPC ..... B60C 11/00; B60C 2011/0337; B60C 2011/0339; B60C 2011/0386; B60C 3/00; B60C 3/08; B60C 1/00; B60C 2200/00; B60C 2200/02; B60C 2200/04; B60C 2200/06; B60C 2200/065; B60C 2200/08; B60C 2200/10; B60C 2200/12; B60C 2200/14; B60C 7/00; B60C 7/02; B60C 7/04; B60C 7/06; B60C 7/08; B60C 5/00; B60C 13/00

See application file for complete search history.

(56) **References Cited**

U.S. PATENT DOCUMENTS

D423,422 S	4/2000	Selover et al. ....	D12/146
D432,956 S	10/2000	Ricquet .....	D12/141
D451,441 S	12/2001	Weber .....	D12/146
D453,729 S	2/2002	Demagall et al. ....	D12/523
D461,155 S *	8/2002	Takechi .....	D12/209
D509,179 S *	9/2005	Ibaraki .....	D12/501
D510,307 S *	10/2005	Howes .....	D12/209
D516,490 S *	3/2006	Baer .....	D12/211
D523,386 S *	6/2006	Khan .....	D12/209
D559,767 S	1/2008	Graas et al. ....	D12/521
D583,755 S	12/2008	Takahashi .....	D12/596
D586,726 S *	2/2009	Baumard .....	D12/521
D597,474 S *	8/2009	Yamakawa .....	D12/519
D599,276 S	9/2009	Fontaine et al. ....	D12/519

(Continued)

*Primary Examiner* — Manpreet Matharu

*Assistant Examiner* — Keith Wilson

(74) *Attorney, Agent, or Firm* — Robert N. Lipsik

(57) **CLAIM**

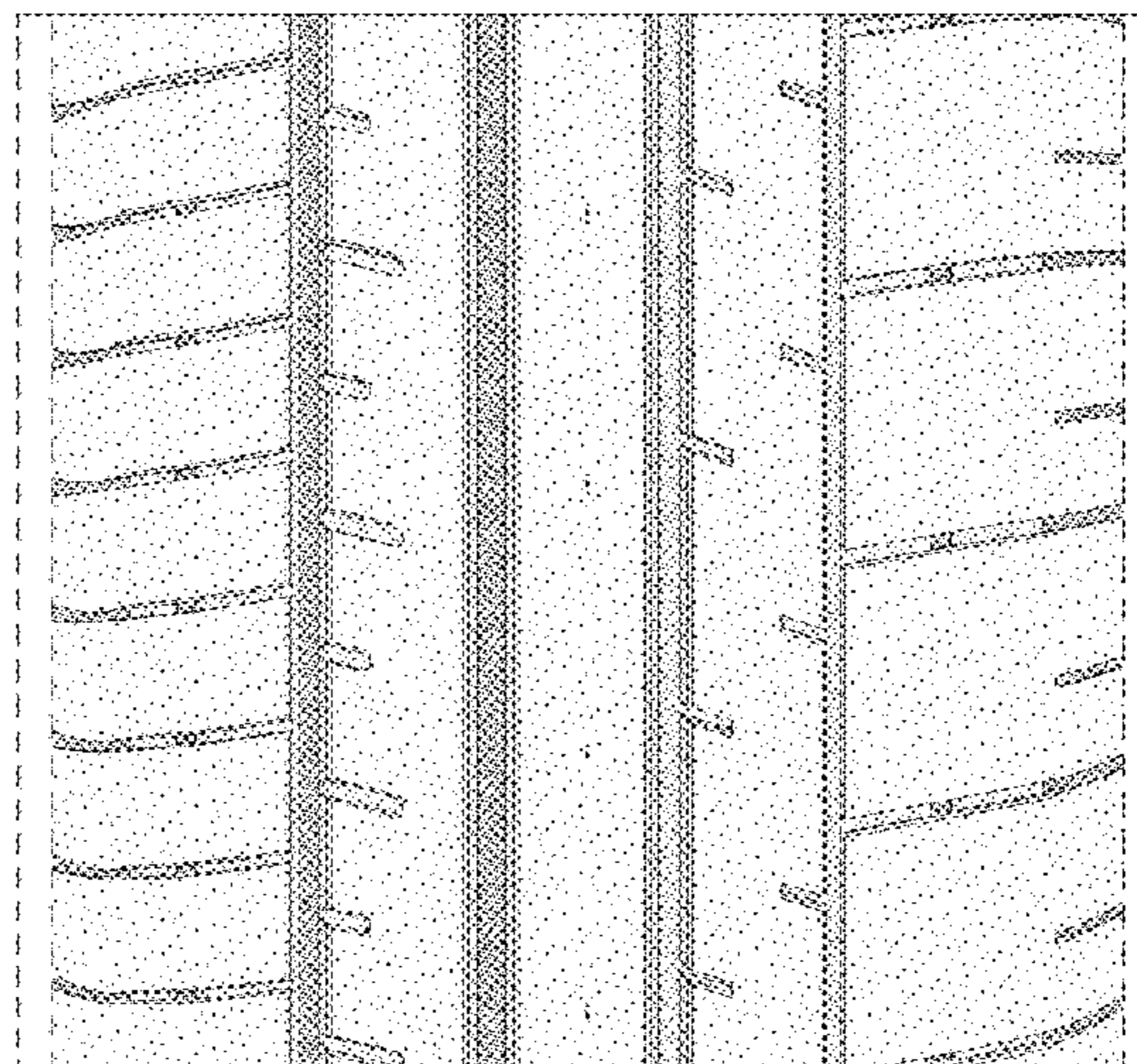
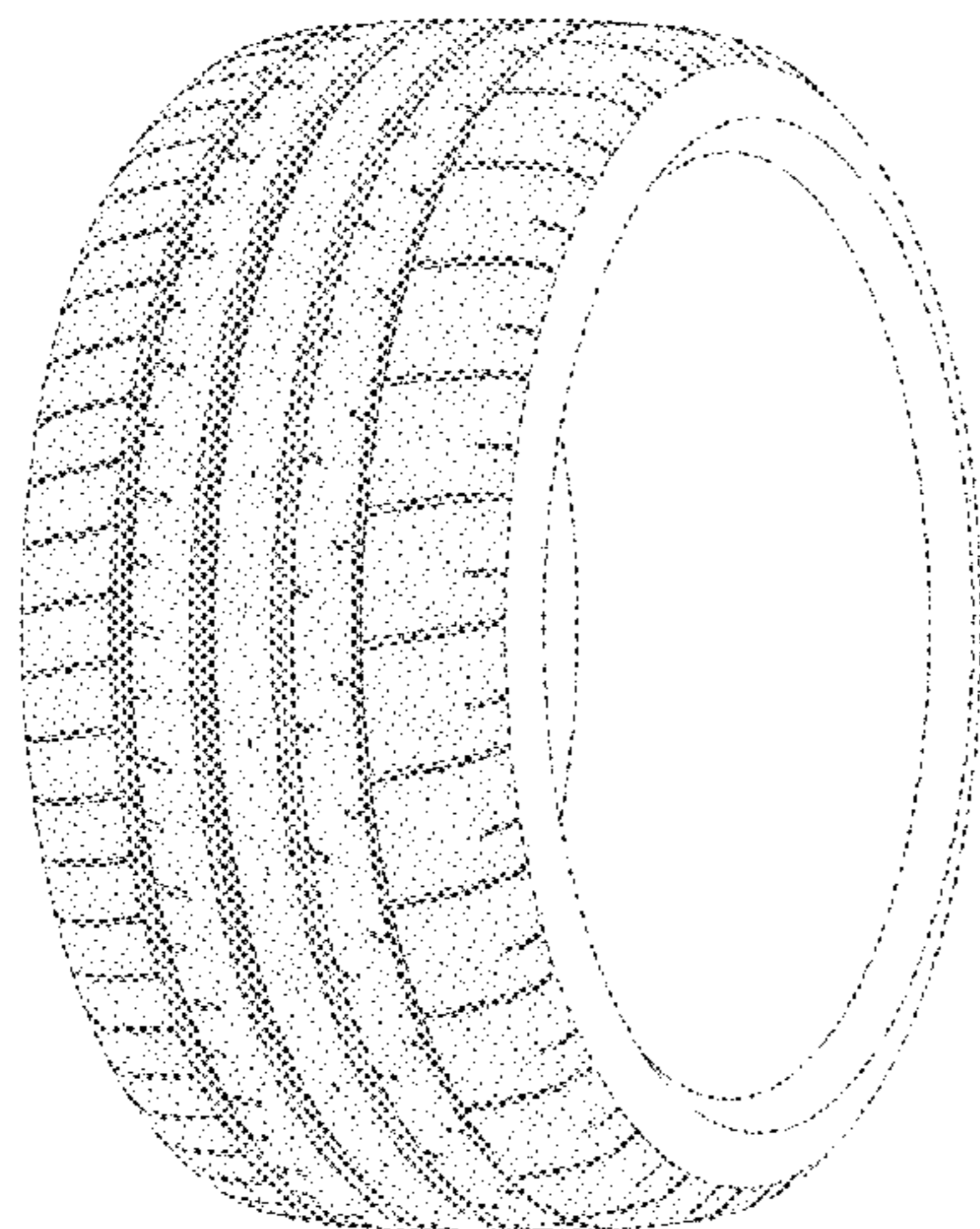
The ornamental design for a tire, as shown and described.

**DESCRIPTION**

FIG. 1 is a right side perspective view of a tire showing our new design, it being understood that the pattern repeats uniformly throughout the circumference of the tread; FIG. 2 is a left side perspective view thereof; FIG. 3 is a front elevational view thereof; FIG. 4 is a right side elevational view thereof; FIG. 5 is a left side elevational view thereof; and, FIG. 6 is an enlarged fragmentary front elevational view thereof.

In the drawings, the broken lines showing of the sidewall, inner bead and the peripheral boundary between the tire tread and the sidewall in FIGS. 1 through 6 depict environmental subject matter and form no part of the claimed design.

**1 Claim, 6 Drawing Sheets**



(56)

References Cited

U.S. PATENT DOCUMENTS

D601,939 S *	10/2009	Fontaine .....	D12/519	D694,702 S	12/2013	Leconte et al. ....	D12/521
D603,783 S *	11/2009	Carlton .....	D12/501	D697,015 S *	1/2014	Nemeth .....	D12/211
D608,712 S *	1/2010	Pollmann .....	D12/209	D710,291 S *	8/2014	Mosko .....	D12/519
D609,161 S	2/2010	Fontaine et al. ....	D12/517	D716,217 S *	10/2014	Rittweger .....	D12/523
D609,627 S *	2/2010	Frappart .....	D12/523	D726,085 S *	4/2015	Hodges .....	D12/209
D621,318 S *	8/2010	Elmitt .....	D12/209	D728,453 S	5/2015	Maxwell et al. ....	D12/523
D626,910 S	11/2010	Bott et al. ....	D12/519	D729,724 S *	5/2015	Mathis .....	D12/523
D634,699 S	3/2011	Fontaine et al. ....	D12/517	D730,269 S	5/2015	Maxwell et al. ....	D12/523
D638,348 S	5/2011	Harvey et al. ....	D12/521	D731,955 S *	6/2015	Zhao .....	D12/519
D639,719 S	6/2011	Harvey et al. ....	D12/521	D743,872 S *	11/2015	Huang .....	D12/519
D639,720 S	6/2011	Harvey et al. ....	D12/521	D755,112 S *	5/2016	Jingjing .....	D12/523
D641,677 S *	7/2011	Weil .....	D12/209	D761,180 S *	7/2016	Bucher .....	D12/209
D643,800 S	8/2011	Riswanda .....	D12/523	D762,552 S *	8/2016	Xue .....	D12/546
D644,586 S *	9/2011	Baum .....	D12/209	D763,162 S *	8/2016	Garbas .....	D12/211
D644,593 S	9/2011	Fontaine et al. ....	D12/523	D763,762 S *	8/2016	Ghobrial .....	D12/209
D647,454 S *	10/2011	Fabing .....	D12/518	D764,369 S *	8/2016	Wheel .....	D12/209
D647,456 S	10/2011	Behr .....	D12/519	D765,019 S *	8/2016	Chen .....	D12/523
D648,668 S	11/2011	Kujime .....	D12/519	D768,045 S *	10/2016	Curic .....	D12/209
D650,322 S	12/2011	Takahashi .....	D12/519	D768,054 S *	10/2016	Wang .....	D12/523
D659,065 S *	5/2012	Johnson .....	D12/209	2013/0186532 A1 *	7/2013	Kujime .....	B60C 11/0304 152/209.8
D659,633 S	5/2012	Bindner et al. ....	D12/521	2015/0258858 A1 *	9/2015	Kujime .....	B60C 11/0304 152/209.8
D665,335 S	8/2012	Baumard et al. ....	D12/517	2016/0152092 A1 *	6/2016	Sasaki .....	B60C 11/0302 152/209.18
D665,336 S	8/2012	Skurich et al. ....	D12/523	2016/0185160 A1 *	6/2016	Mukai .....	B60C 11/0327 152/209.24
D667,358 S	9/2012	Fontaine et al. ....	D12/518	2016/0200148 A1 *	7/2016	Nomura .....	B60C 11/0304 152/209.8
D668,598 S	10/2012	Hughes et al. ....	D12/521				
D679,241 S	4/2013	Fehl et al. ....	D12/524				
D689,430 S	9/2013	Fontaine et al. ....	D12/523				
D692,371 S	10/2013	Fontaine et al. ....	D12/517				

\* cited by examiner



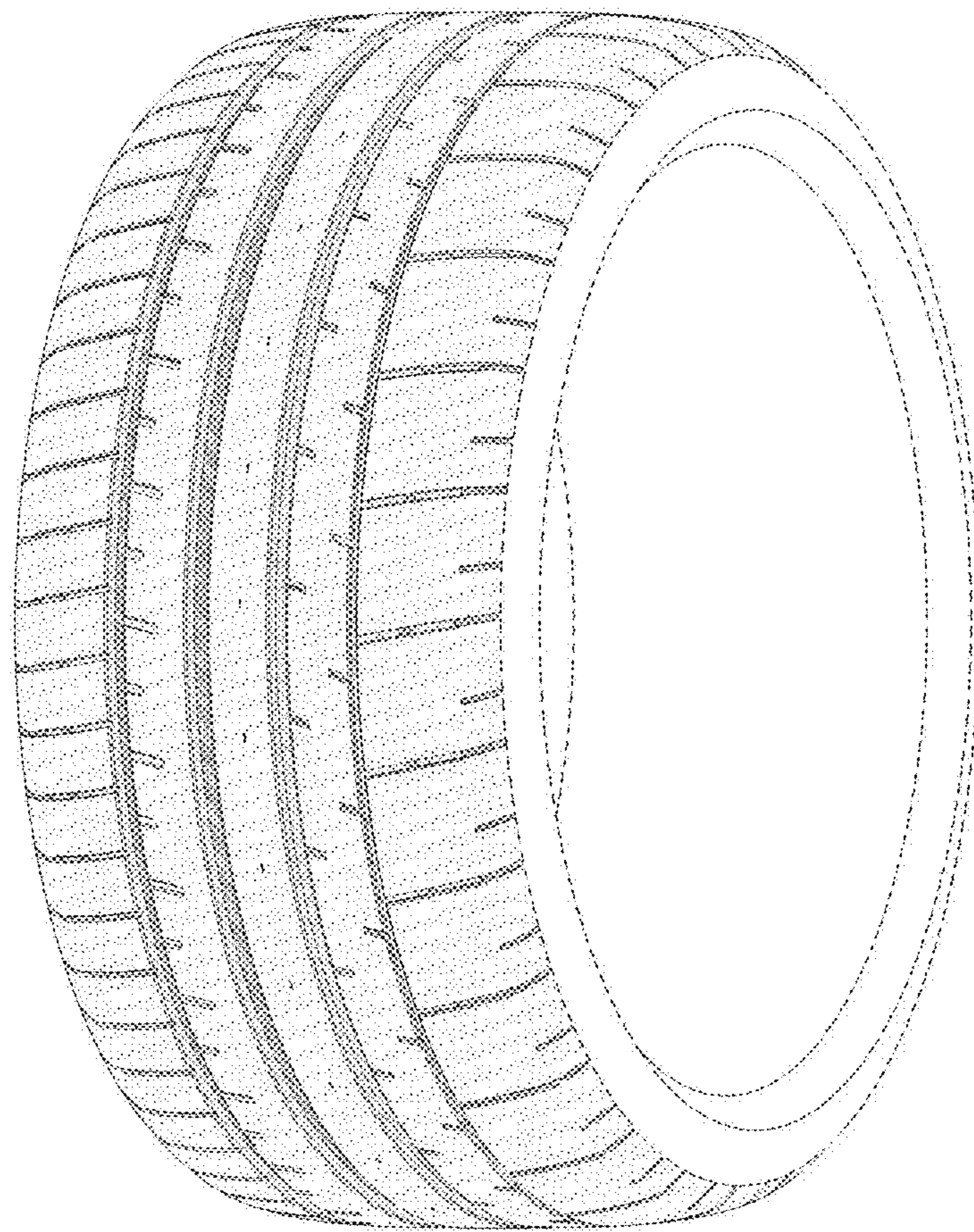


FIG - 1

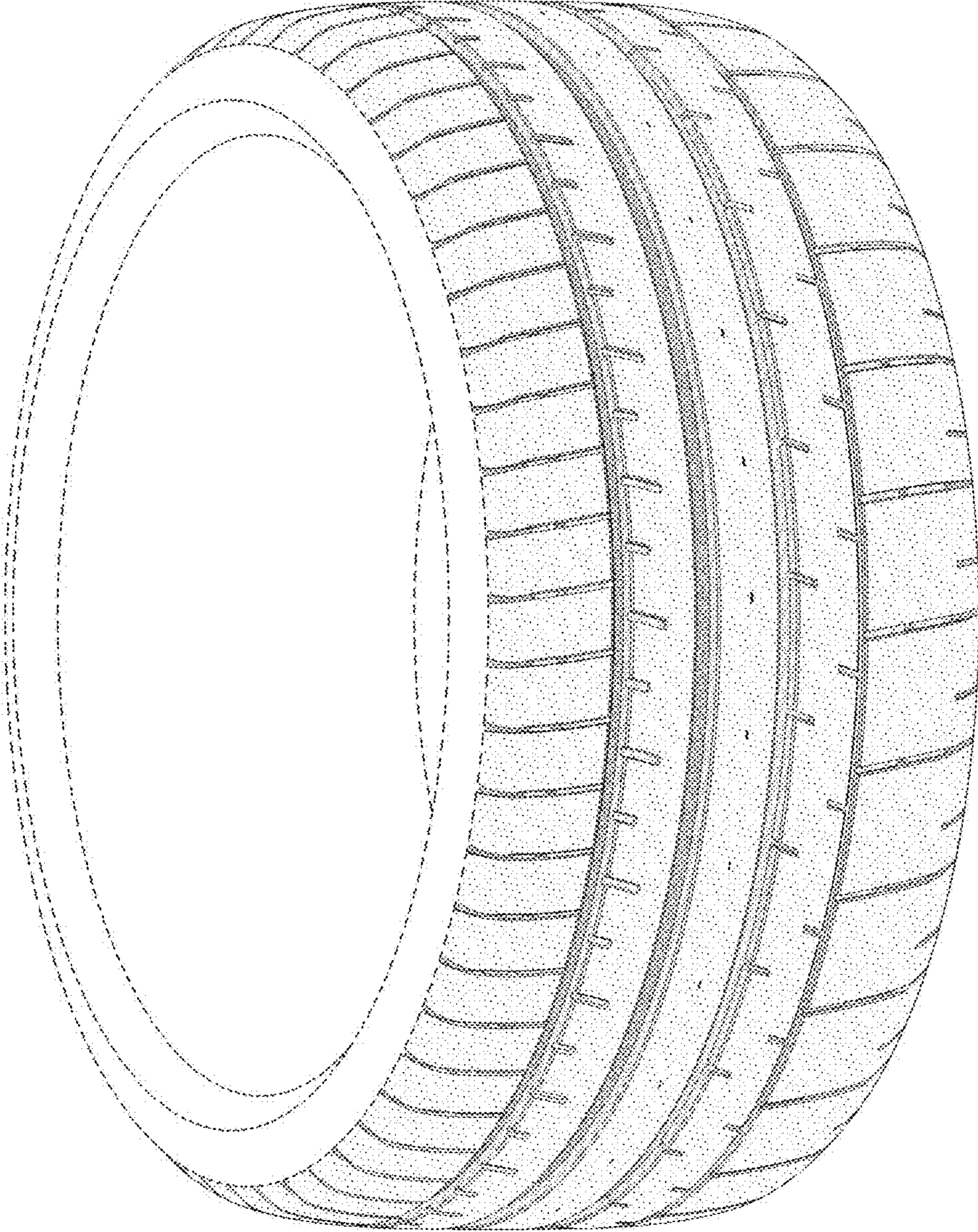


FIG - 2



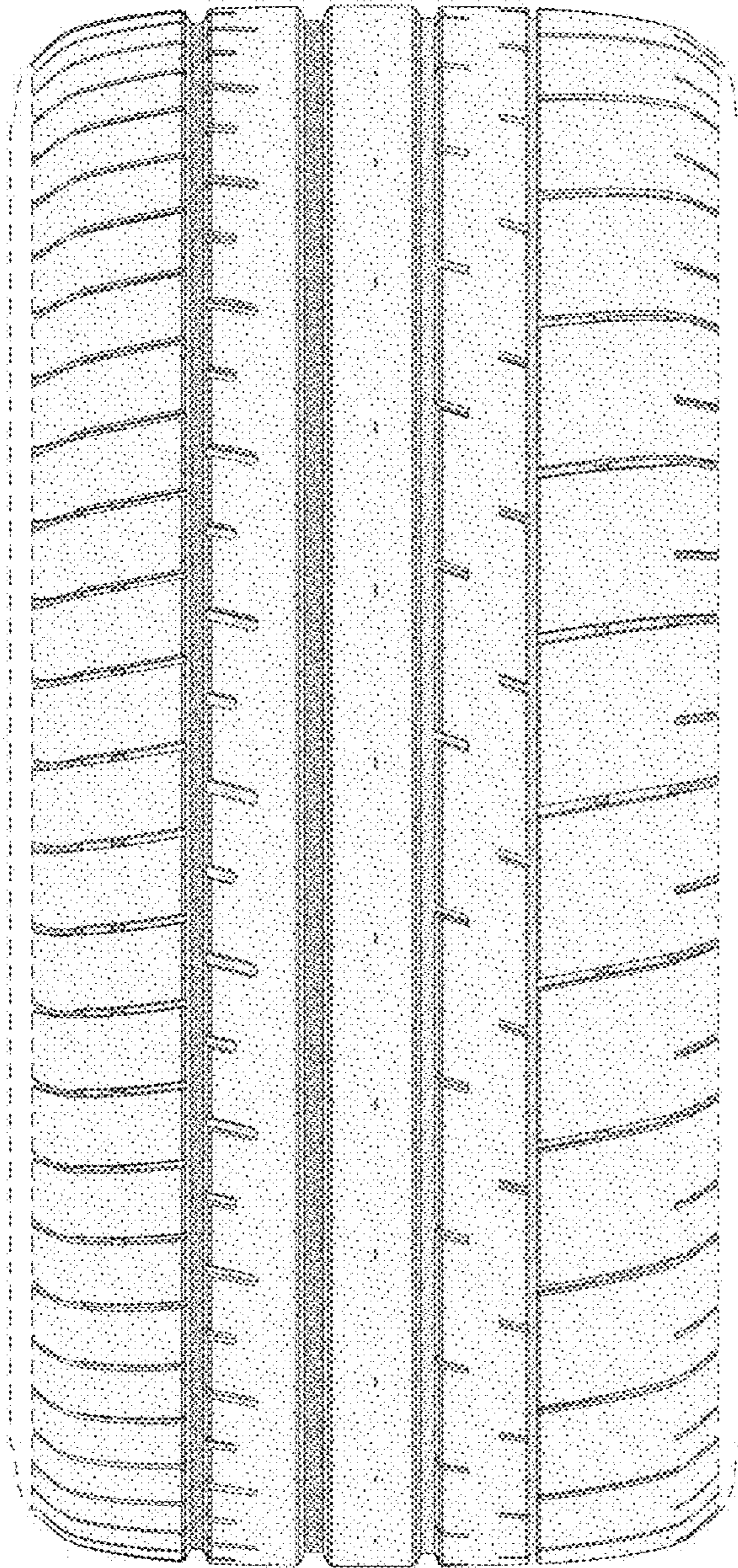


FIG - 3

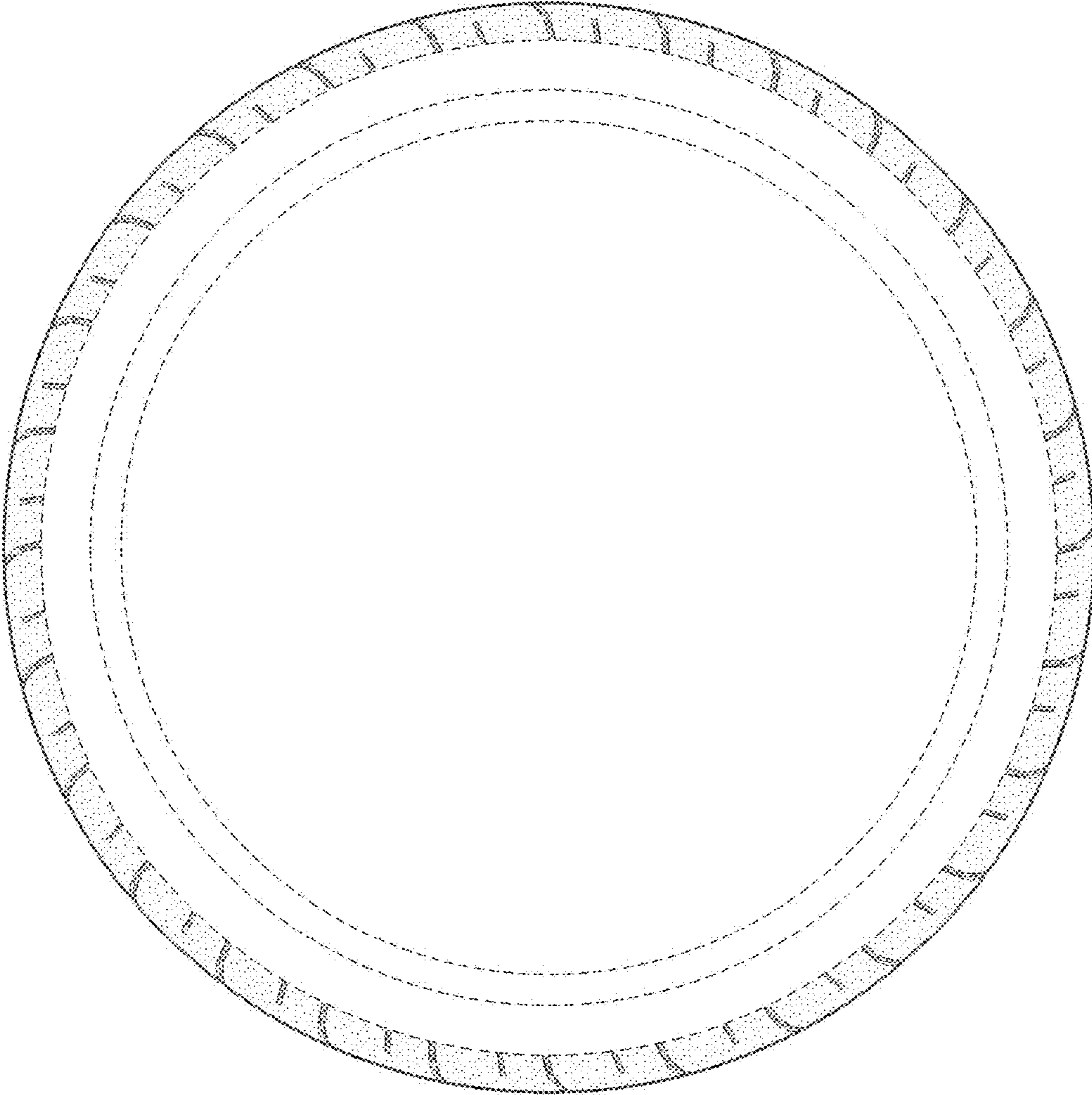


FIG - 4

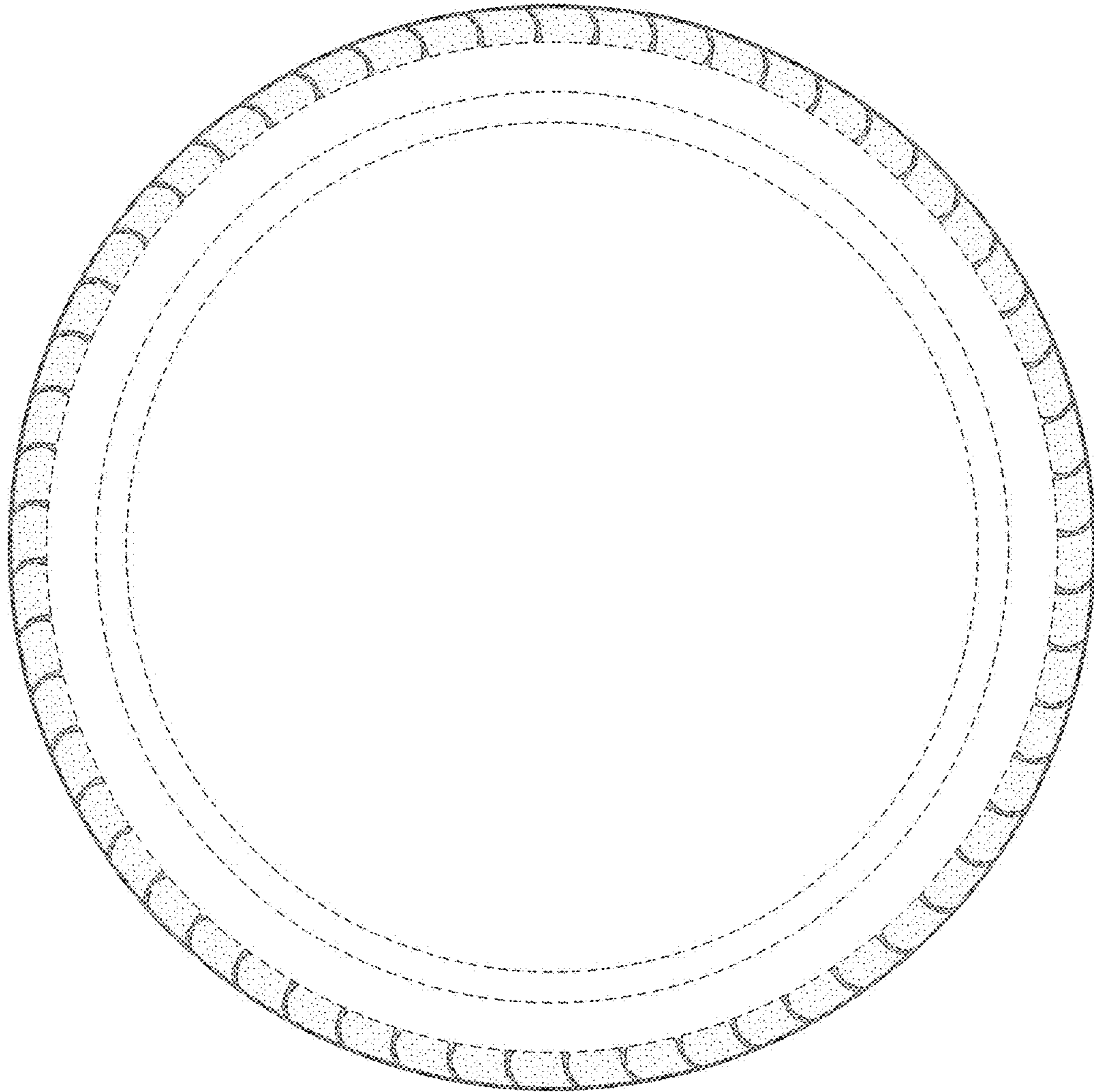


FIG - 5



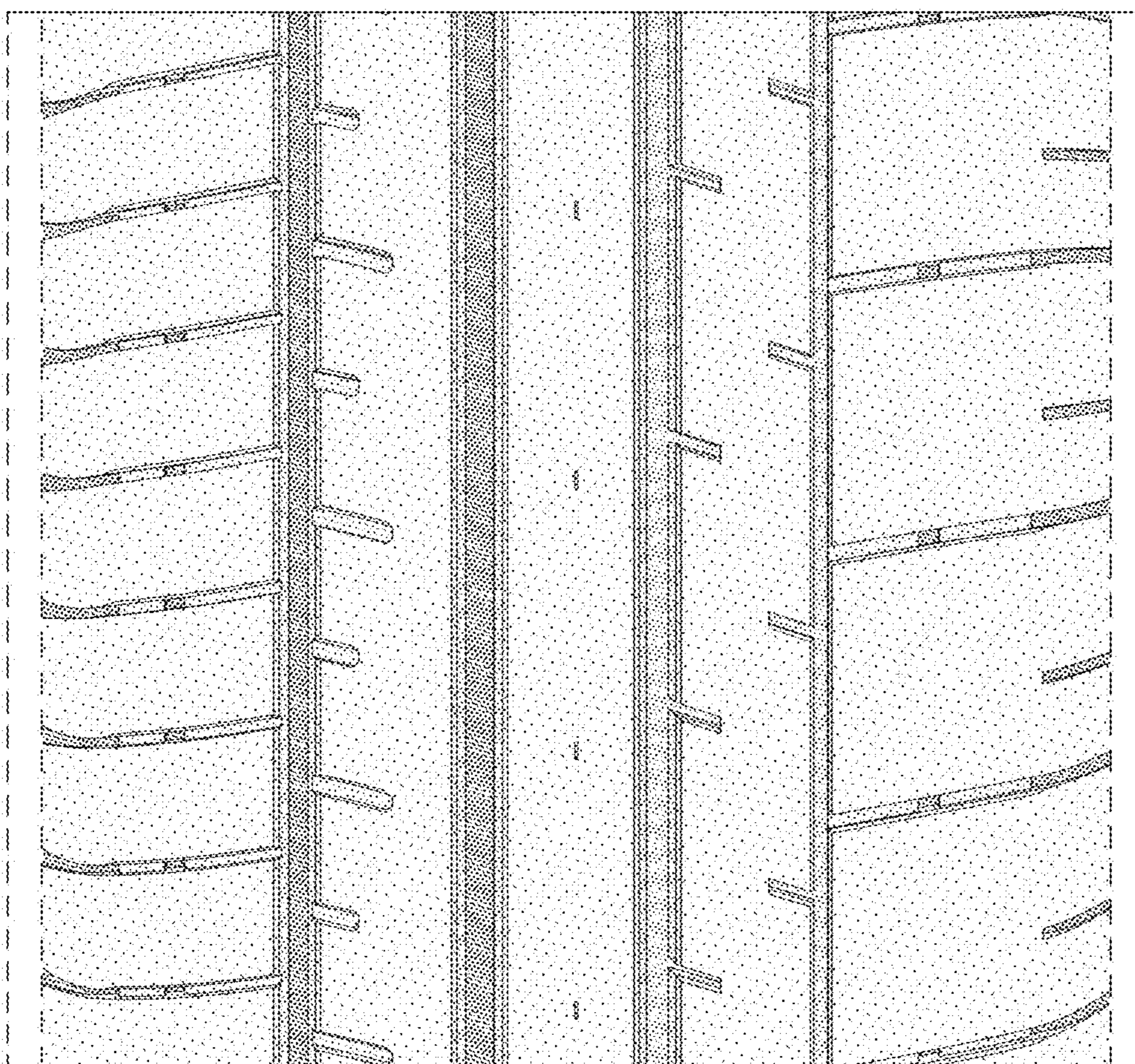


FIG - 6