



US00D795148S

(12) **United States Design Patent**
Ariga

(10) **Patent No.:** **US D795,148 S**

(45) **Date of Patent:** **** Aug. 22, 2017**

- (54) **WHEEL FOR AN AUTOMOBILE**
- (71) Applicant: **Fuji Jukogyo Kabushiki Kaisha**,
Tokyo (JP)
- (72) Inventor: **Tatsuma Ariga**, Tokyo (JP)
- (73) Assignee: **Subaru Corporation**, Tokyo (JP)
- (**) Term: **15 Years**

(21) Appl. No.: **29/556,019**

(22) Filed: **Feb. 26, 2016**

(30) **Foreign Application Priority Data**

Aug. 26, 2015 (JP) 2015-018717

(51) **LOC (10) Cl.** **12-16**

(52) **U.S. Cl.**
USPC **D12/209**

(58) **Field of Classification Search**
USPC D12/204–213
CPC B60B 7/00; B60B 7/02; B60B 7/04; B60B
7/01; B60B 7/06; B60B 3/02; B60B 3/04;
B60B 3/06; B60B 3/10; B60B 1/00;
B60B 1/08; B60B 1/10; B60B 1/12
See application file for complete search history.

(56) **References Cited**

U.S. PATENT DOCUMENTS

D422,959 S *	4/2000	Hussaini	D12/211
D492,235 S *	6/2004	Nordmann	D12/211
D503,668 S *	4/2005	Boyer	D12/209
D526,610 S *	8/2006	Muzzarelli	D12/211
D538,216 S *	3/2007	Sycha	D12/209
D542,728 S *	5/2007	Ichinose	D12/211
D558,118 S *	12/2007	Hueller	D12/211
D584,211 S *	1/2009	Farny	D12/211
D590,757 S *	4/2009	Froehlich	D12/209

D613,657 S *	4/2010	Cortes	D12/209
D625,675 S *	10/2010	Juergens	D12/209
D635,904 S *	4/2011	Futschik	D12/209
D639,716 S *	6/2011	Juergens	D12/211
D660,762 S *	5/2012	Gabath	D12/209
D666,954 S *	9/2012	Antoniadis	D12/209
D670,632 S *	11/2012	Schweizer	D12/211
D673,093 S *	12/2012	Platto	D12/209
D674,330 S *	1/2013	Kito	D12/209
D723,988 S *	3/2015	Kito	D12/209
D728,441 S *	5/2015	Zhang	D12/209
D731,390 S *	6/2015	Kobayashi	D12/211
D744,925 S *	12/2015	Wheel	D12/209
D746,751 S *	1/2016	Wheel	D12/209
D748,552 S *	2/2016	Wagener	D12/209
D749,487 S *	2/2016	Mahoney	D12/211
D753,044 S *	4/2016	Mielke	D12/209
D753,572 S *	4/2016	Juergens	D12/211
D755,691 S *	5/2016	Gardavsky	D12/209
D760,139 S *	6/2016	Dionisopoulos	D12/209
D763,761 S *	8/2016	Dionisopoulos	D12/209

(Continued)

Primary Examiner — Stacia Cadmus

(74) *Attorney, Agent, or Firm* — Schiff Hardin LLP

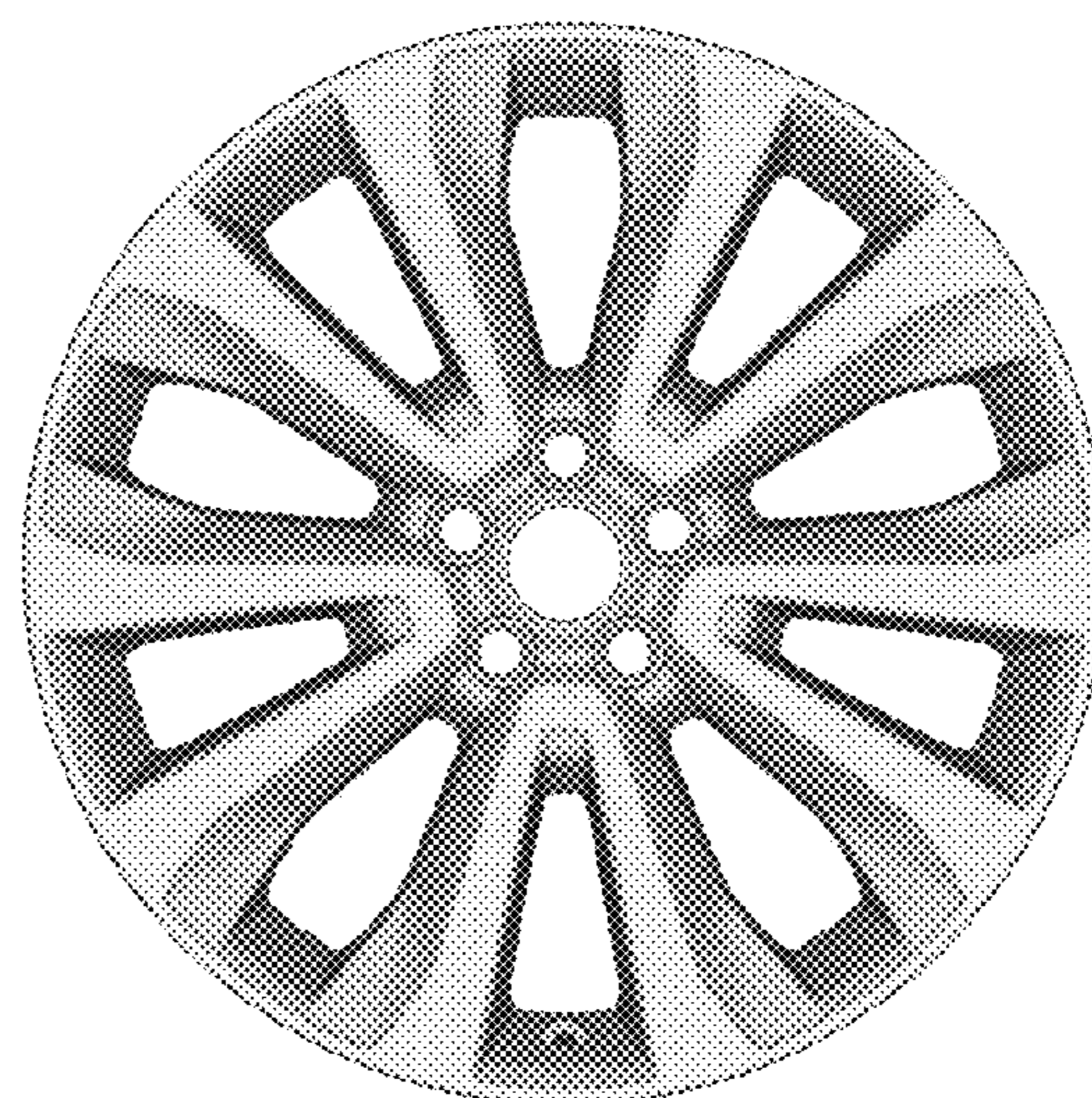
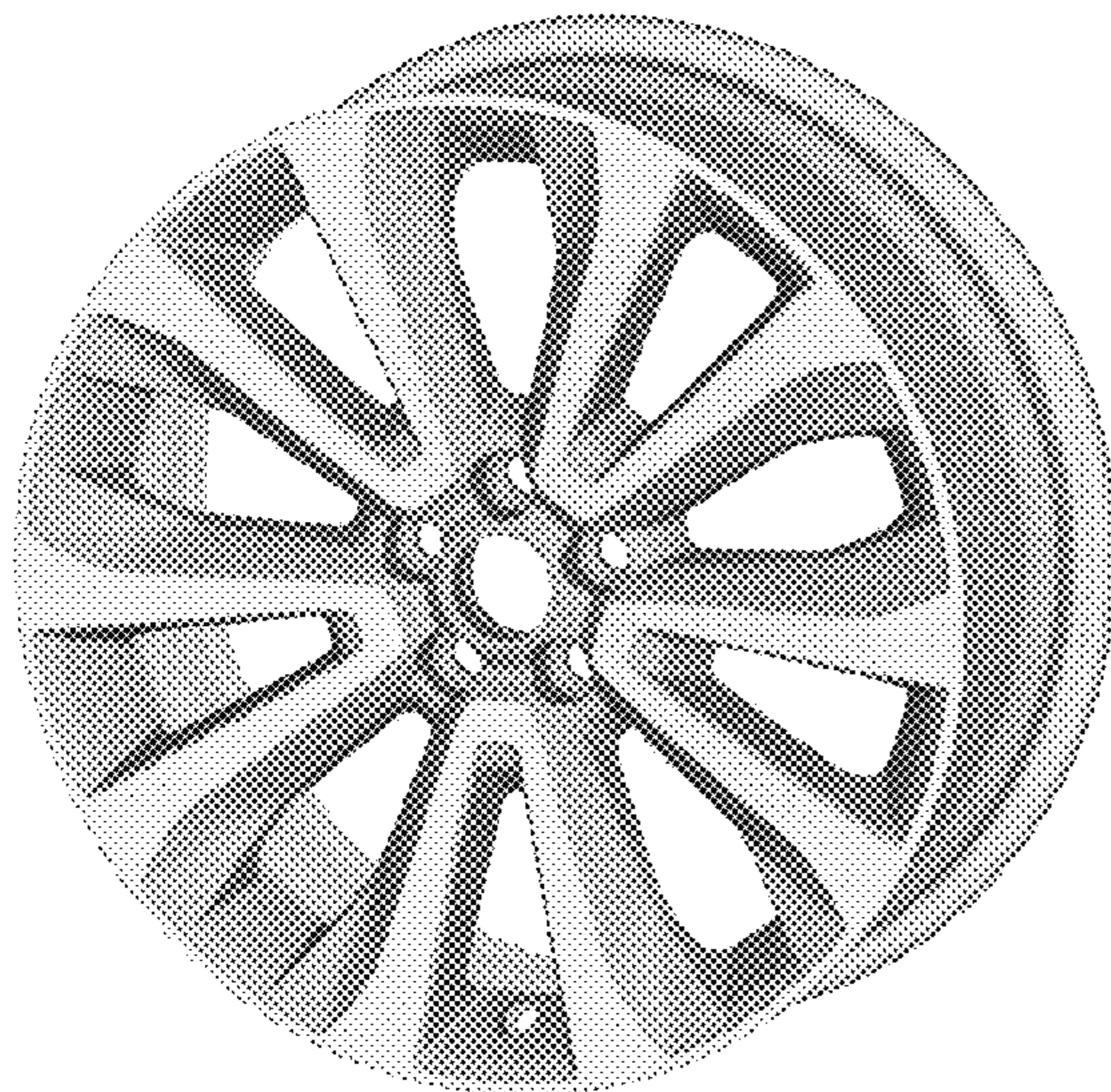
(57) **CLAIM**

The ornamental design for a wheel for an automobile, as shown and described.

DESCRIPTION

FIG. 1 is a front perspective view for a “wheel for an automobile” showing my new design, FIG. 2 is a front view thereof, FIG. 3 is a rear view thereof Shown in lighter grey scale representing the environmental subject matter that forms no part of the claimed design. FIG. 4 is a top view thereof, FIG. 5 is a bottom view thereof, FIG. 6 in a left-side view thereof; and, FIG. 7 is a right-side view thereof.

1 Claim, 5 Drawing Sheets



(56)

References Cited

U.S. PATENT DOCUMENTS

D763,763 S * 8/2016 Stone D12/209
D769,171 S * 10/2016 Johnson D12/211

* cited by examiner

Fig. 1



Fig. 2



Fig. 3



Fig. 4

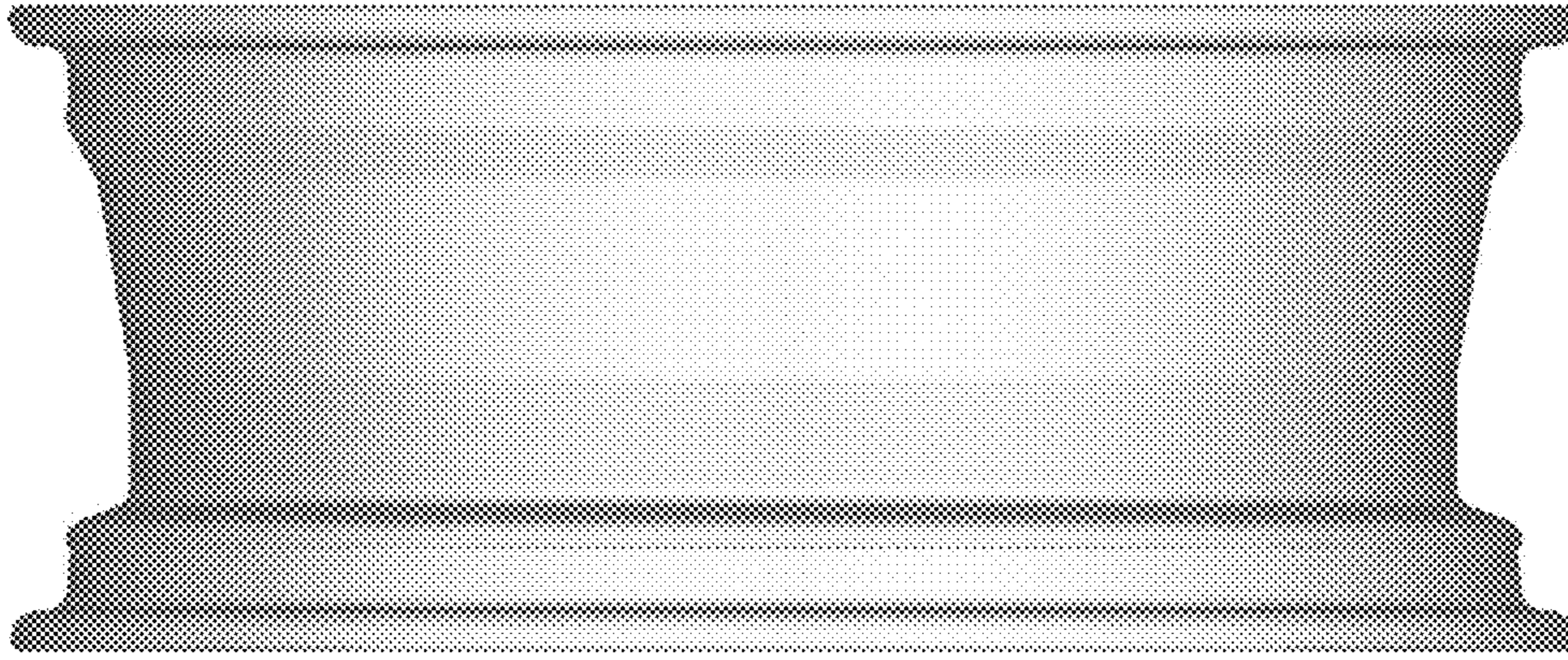


Fig. 5

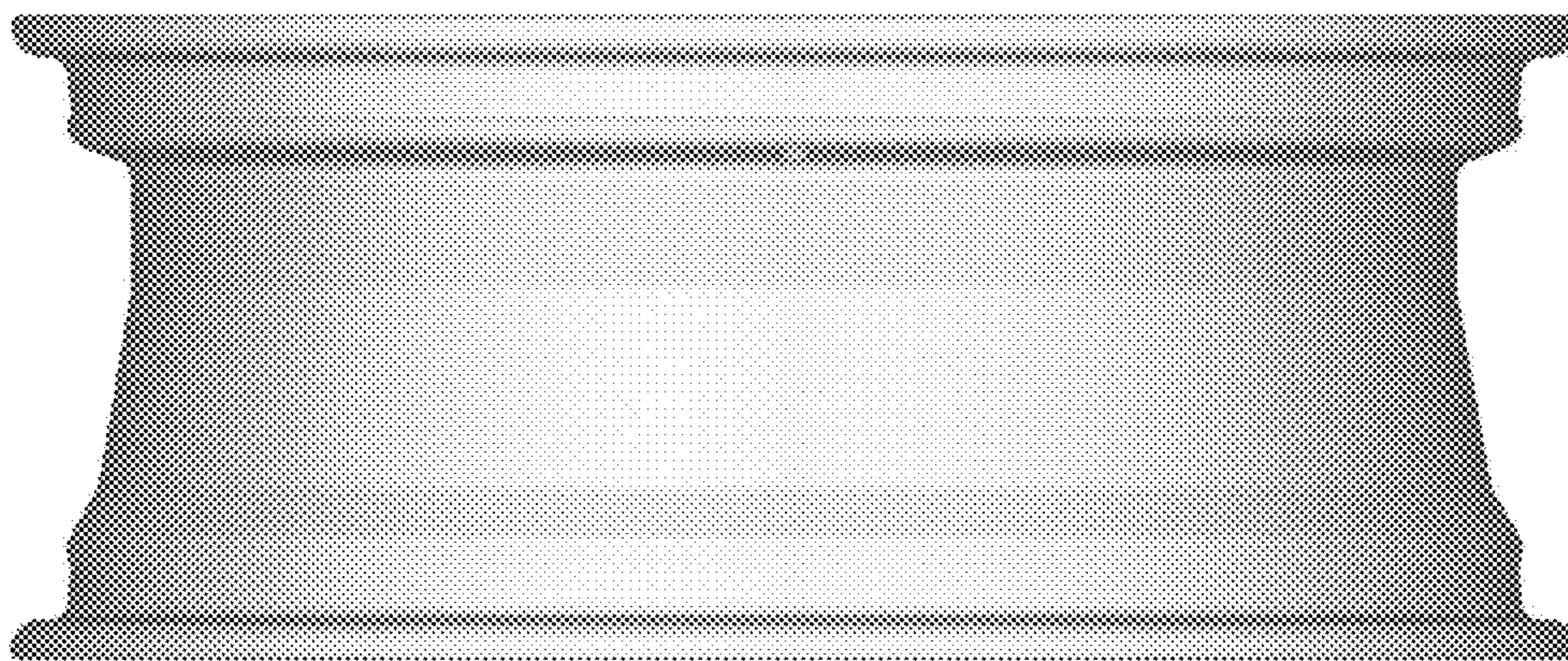


Fig. 6

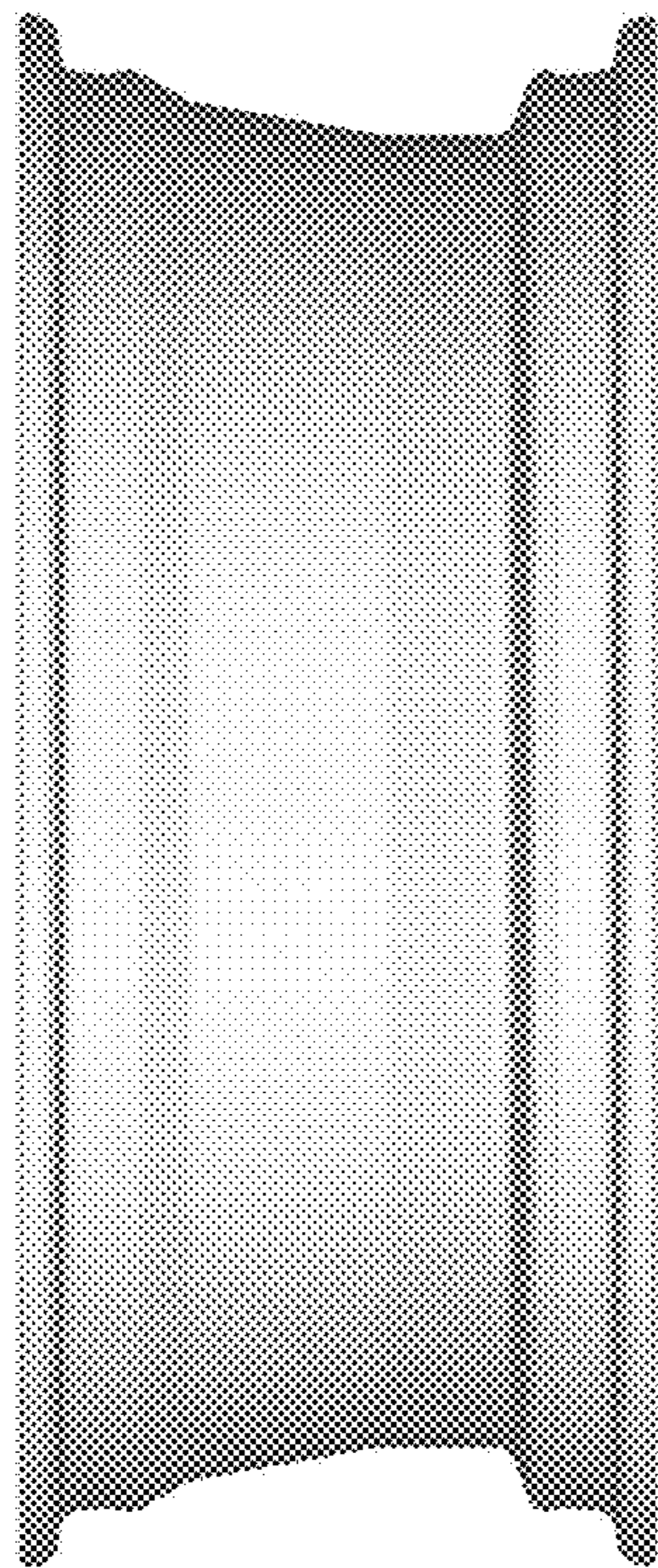


Fig. 7

