



US00D795146S

(12) **United States Design Patent** (10) **Patent No.:** **US D795,146 S**  
**Ogawa et al.** (45) **Date of Patent:** **\*\* Aug. 22, 2017**

- (54) **INSTRUMENT PANEL**
- (71) Applicant: **Honda Motor Co., Ltd.**, Minato-ku, Tokyo (JP)
- (72) Inventors: **Yasunori Ogawa**, Raymond, OH (US); **Michael Wiedeman**, Rancho Palos Verdes, CA (US)
- (73) Assignee: **HONDA MOTOR CO., LTD.**, Tokyo (JP)
- (\*\*) Term: **15 Years**
- (21) Appl. No.: **29/566,226**
- (22) Filed: **May 27, 2016**
- (51) **LOC (10) Cl.** ..... **12-16**
- (52) **U.S. Cl.**  
USPC ..... **D12/192**
- (58) **Field of Classification Search**  
USPC ..... D12/192, 415, 110, 114; D15/17, 28; D10/46, 98, 102-103, 122-127  
CPC ..... G08G 1/096883; G01C 21/16; G01C 21/3688; G01C 21/30  
See application file for complete search history.

D778,796 S *	2/2017	Gommier	.....	D12/192
D778,797 S *	2/2017	Ito	.....	D12/192
D780,649 S *	3/2017	Tanaka	.....	D12/192

**FOREIGN PATENT DOCUMENTS**

TW	D168762 S	7/2015
TW	D168980 S	7/2015

**OTHER PUBLICATIONS**

Taiwanese Search Report for related foreign application 105307138 dated Jun. 3, 2017.

\* cited by examiner

*Primary Examiner* — Katrina A Betton  
(74) *Attorney, Agent, or Firm* — Arent Fox LLP

(57) **CLAIM**

The ornamental design for an instrument panel, as shown and described.

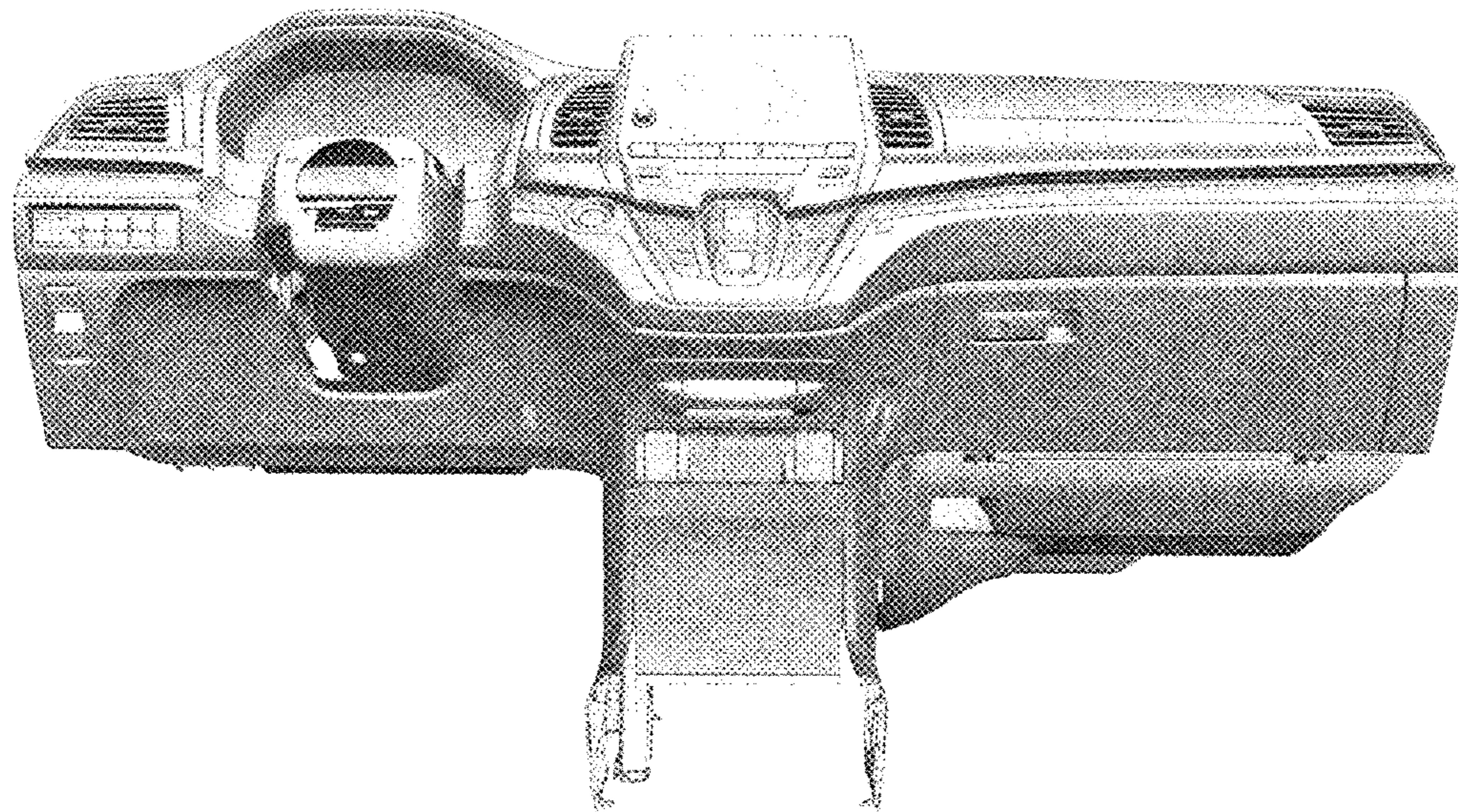
**DESCRIPTION**

FIG. 1 is a top, front, right perspective view of an instrument panel showing our new design;  
 FIG. 2 is a top, front, left perspective view of the design shown in FIG. 1;  
 FIG. 3 is a top, rear, left perspective view of the design shown in FIG. 1;  
 FIG. 4 is a top, rear, right perspective view of the design shown in FIG. 1;  
 FIG. 5 is a front view of the design shown in FIG. 1;  
 FIG. 6 is a rear view of the design shown in FIG. 1;  
 FIG. 7 is a left side view of the design shown in FIG. 1;  
 FIG. 8 is a right side view of the design shown in FIG. 1;  
 FIG. 9 is a top view of the design shown in FIG. 1; and,  
 FIG. 10 is a bottom view of the design shown in FIG. 1.

**1 Claim, 10 Drawing Sheets**

(56) **References Cited**  
U.S. PATENT DOCUMENTS

D726,612 S	4/2015	Wiedeman et al.	
D737,186 S	8/2015	Nakao	
D762,152 S *	7/2016	Inagaki	..... D12/192
D763,154 S *	8/2016	Chang	..... D12/192
D763,155 S *	8/2016	Sahs	..... D12/192
D770,348 S *	11/2016	Shimizu	..... D12/192
D770,953 S *	11/2016	Tanaka	..... D12/192
D771,541 S *	11/2016	Shouno	..... D12/192
D772,128 S *	11/2016	Platt	..... D12/192
D776,029 S *	1/2017	Callum	..... D12/192



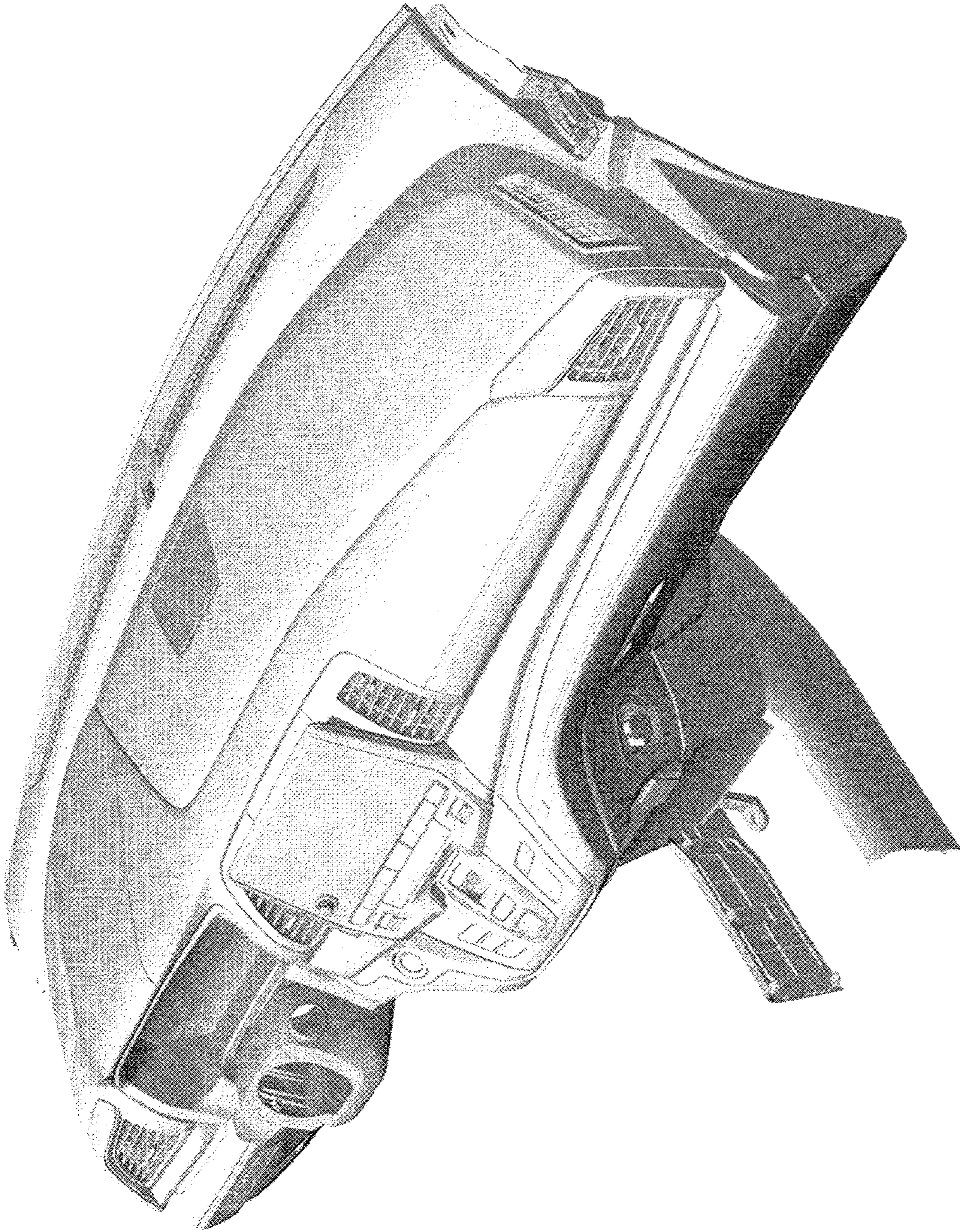


FIGURE 1

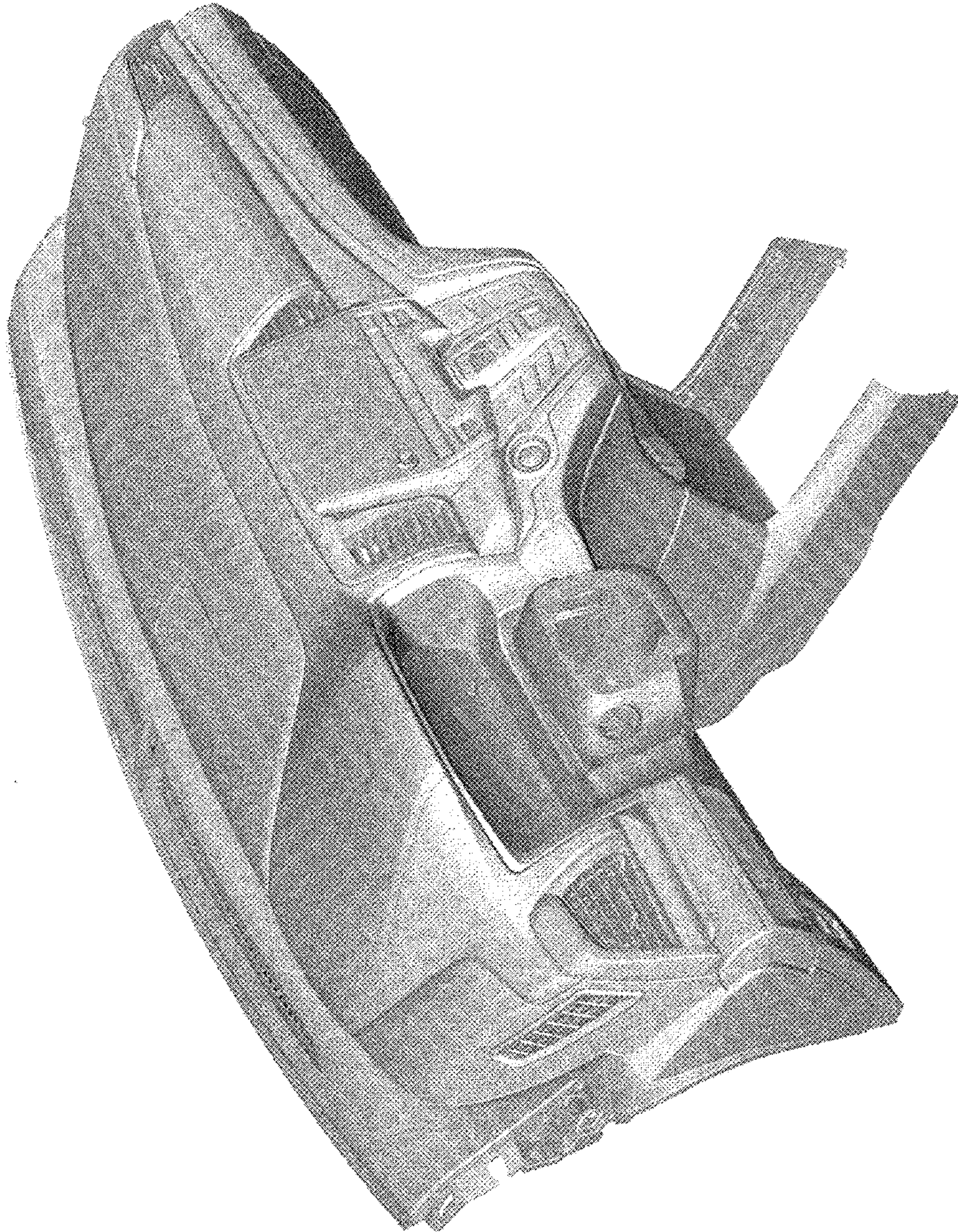


FIGURE 2

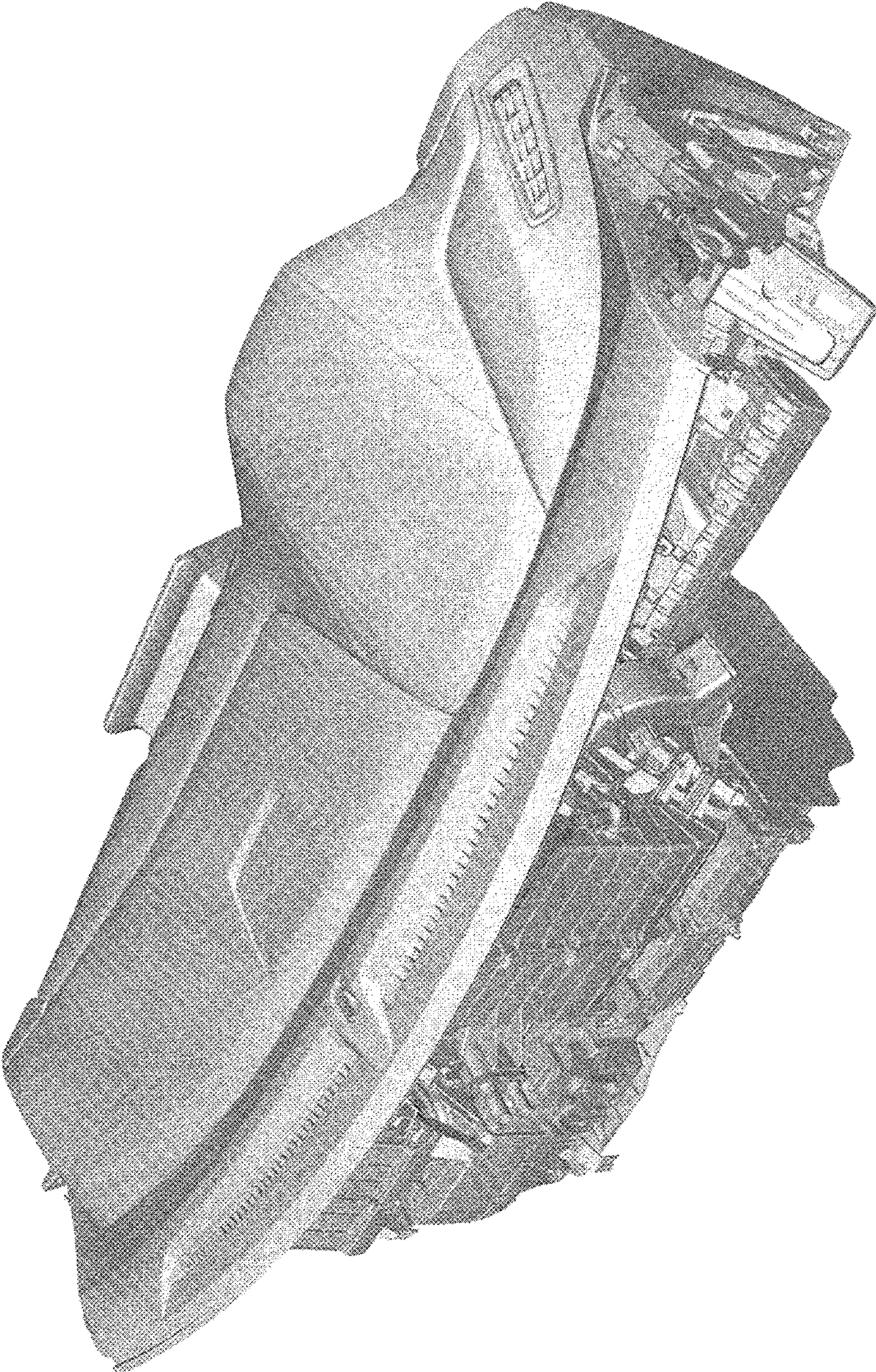


FIGURE 3

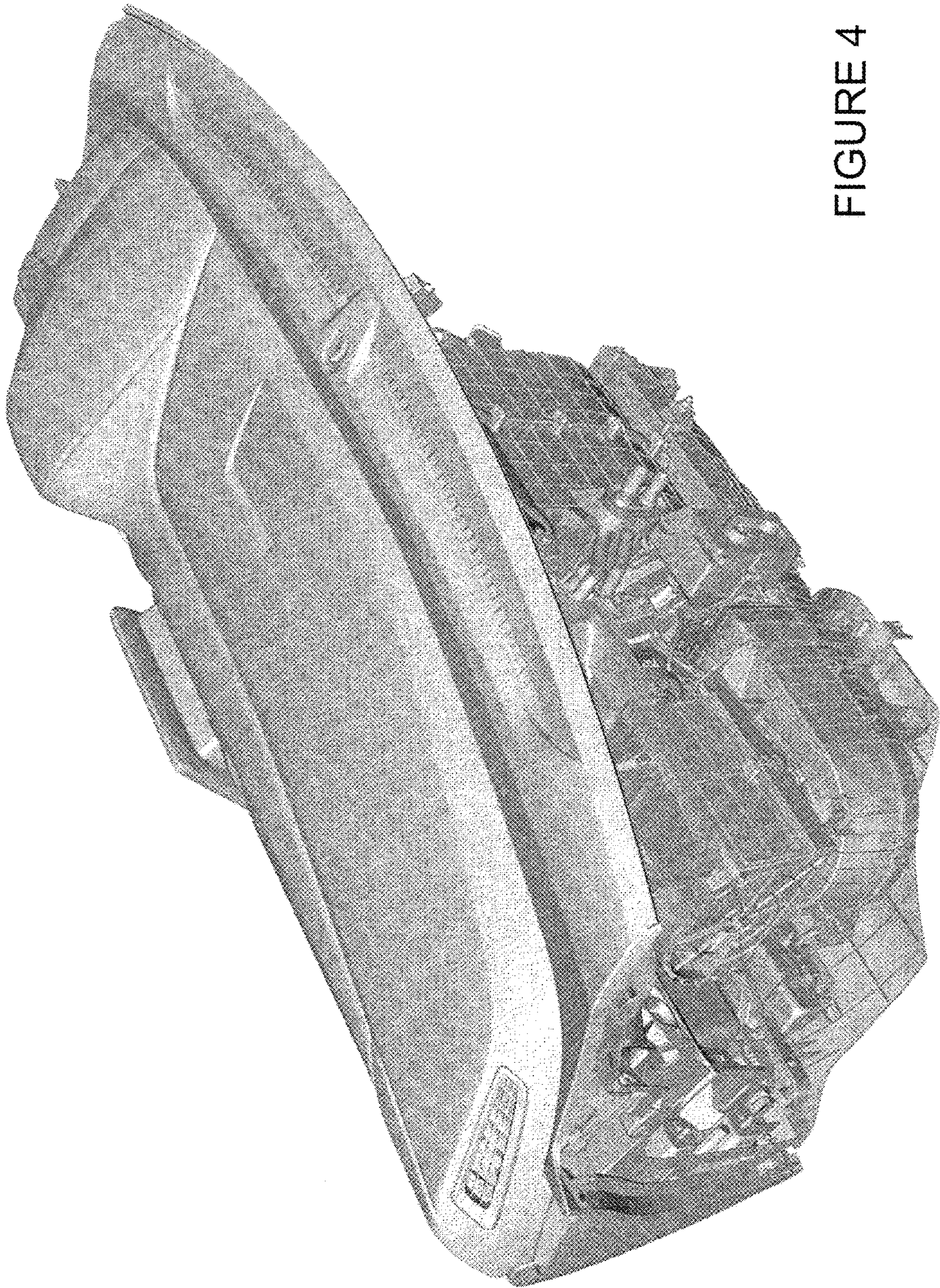


FIGURE 4

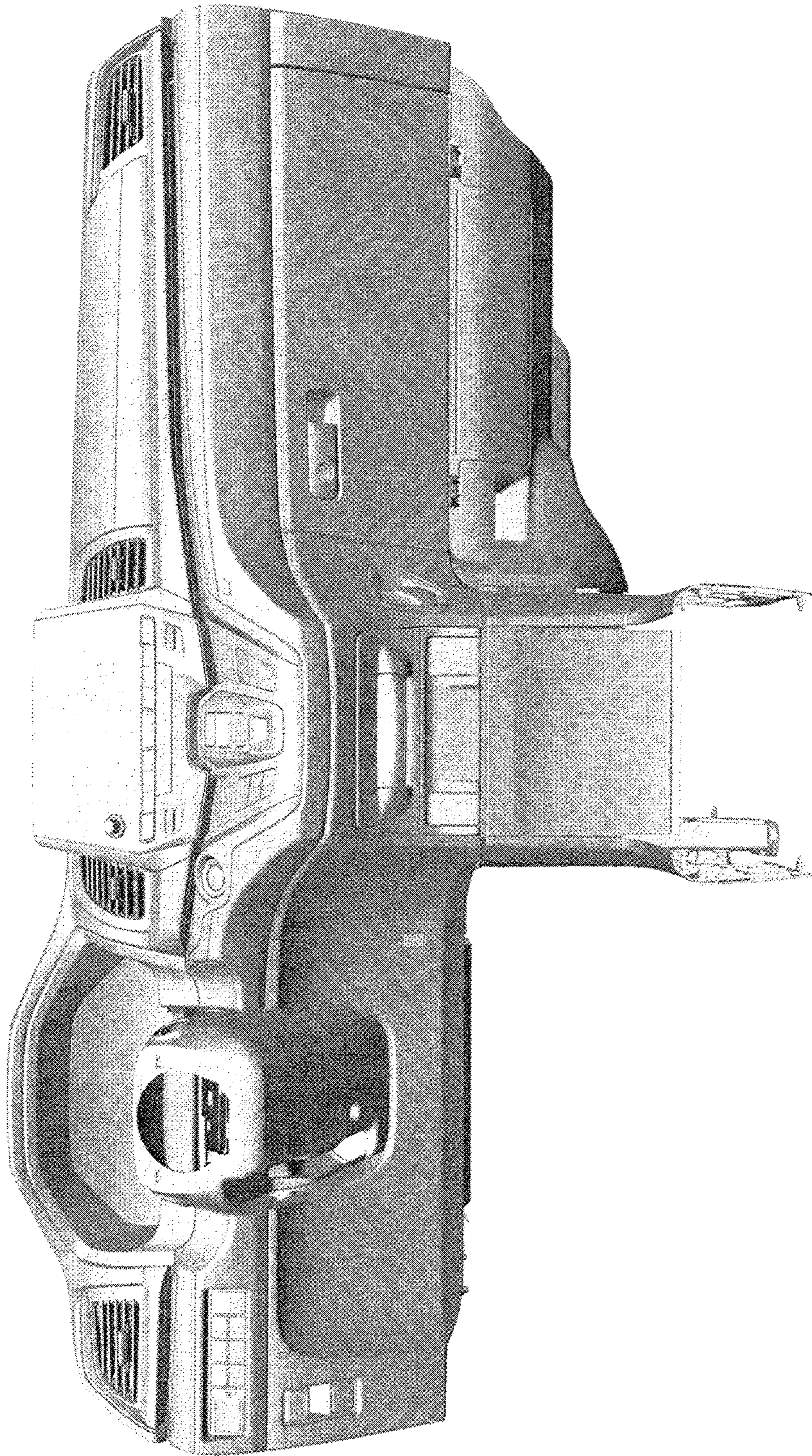


FIGURE 5

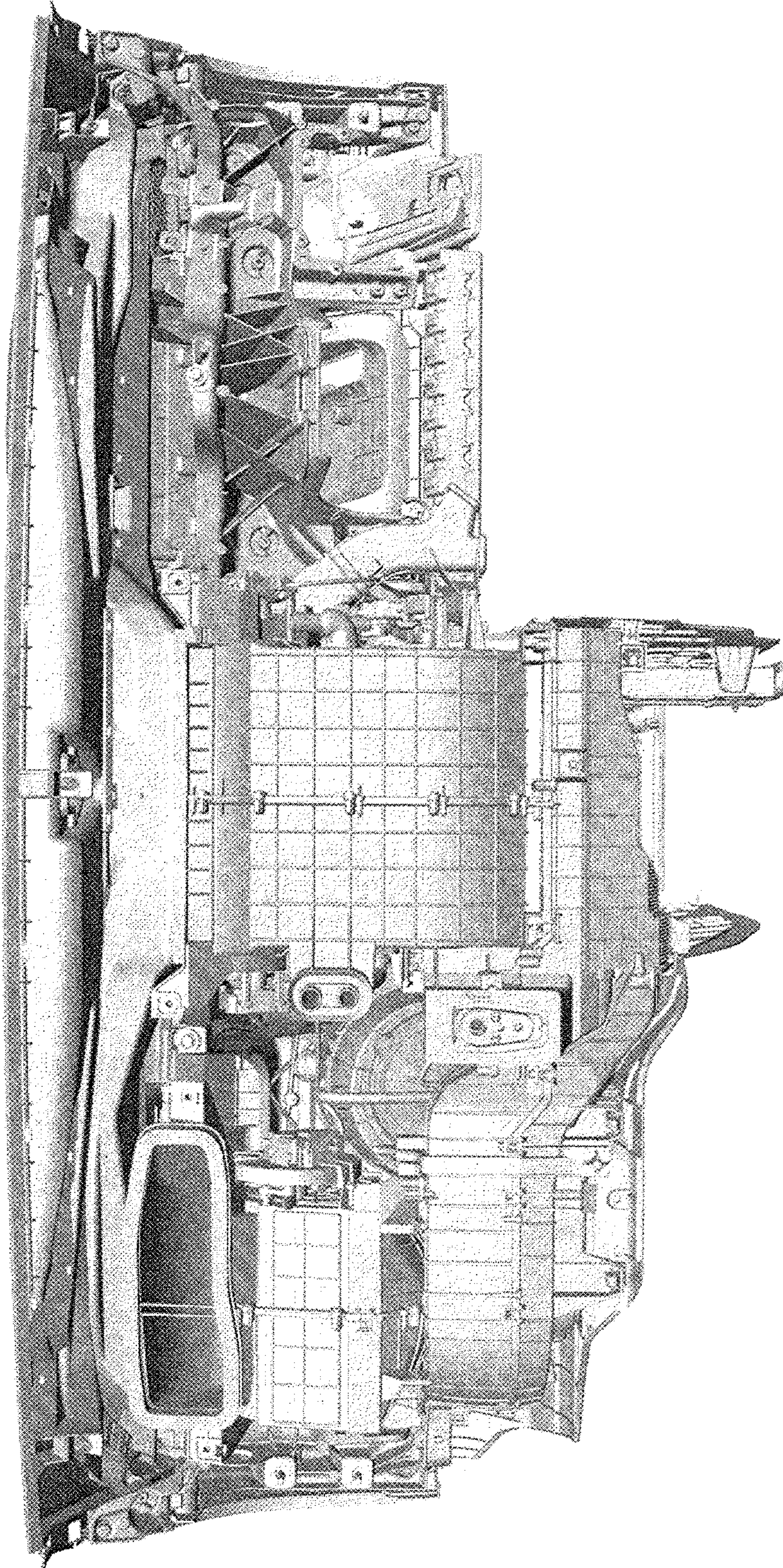


FIGURE 6

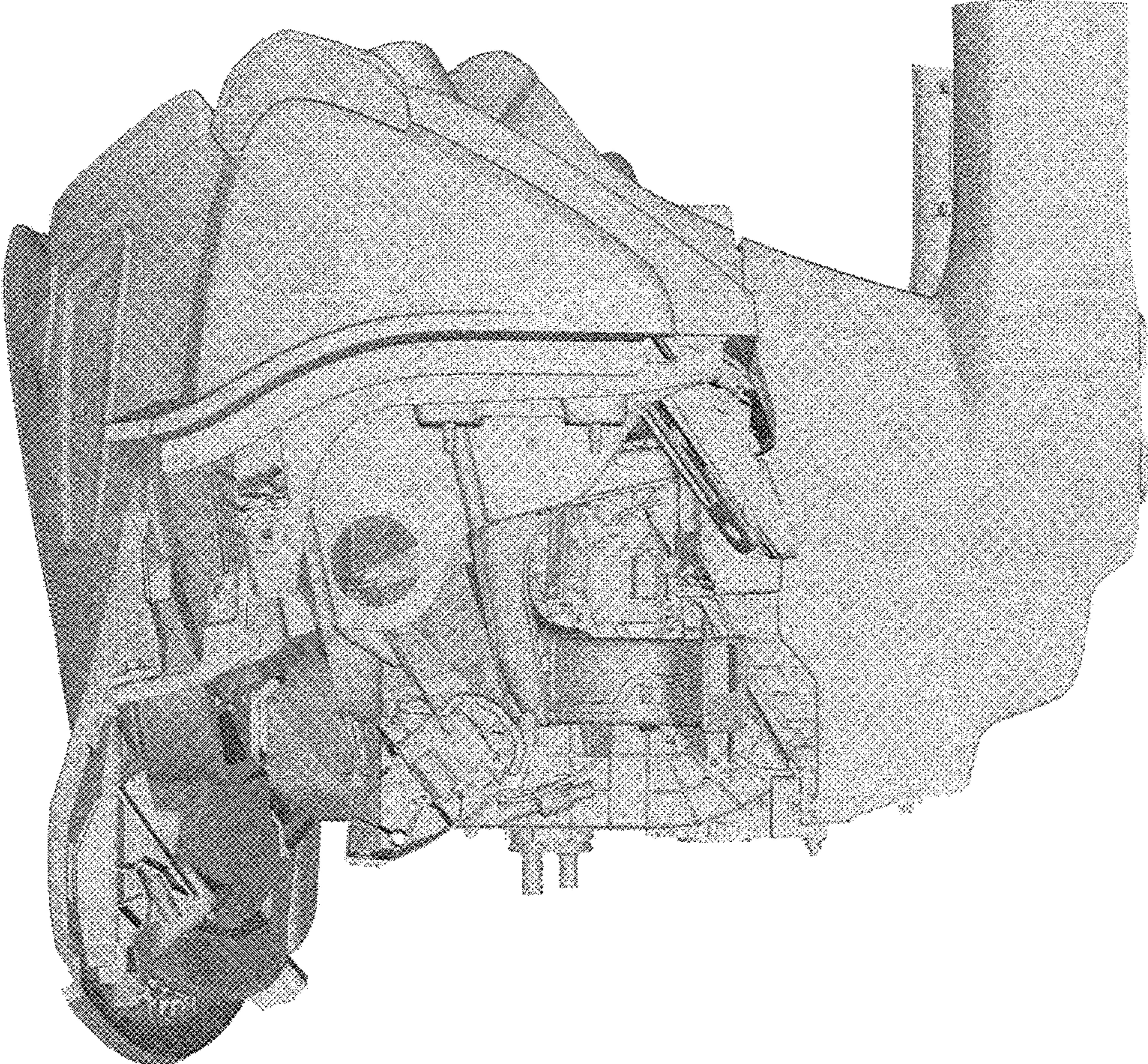


FIGURE 7



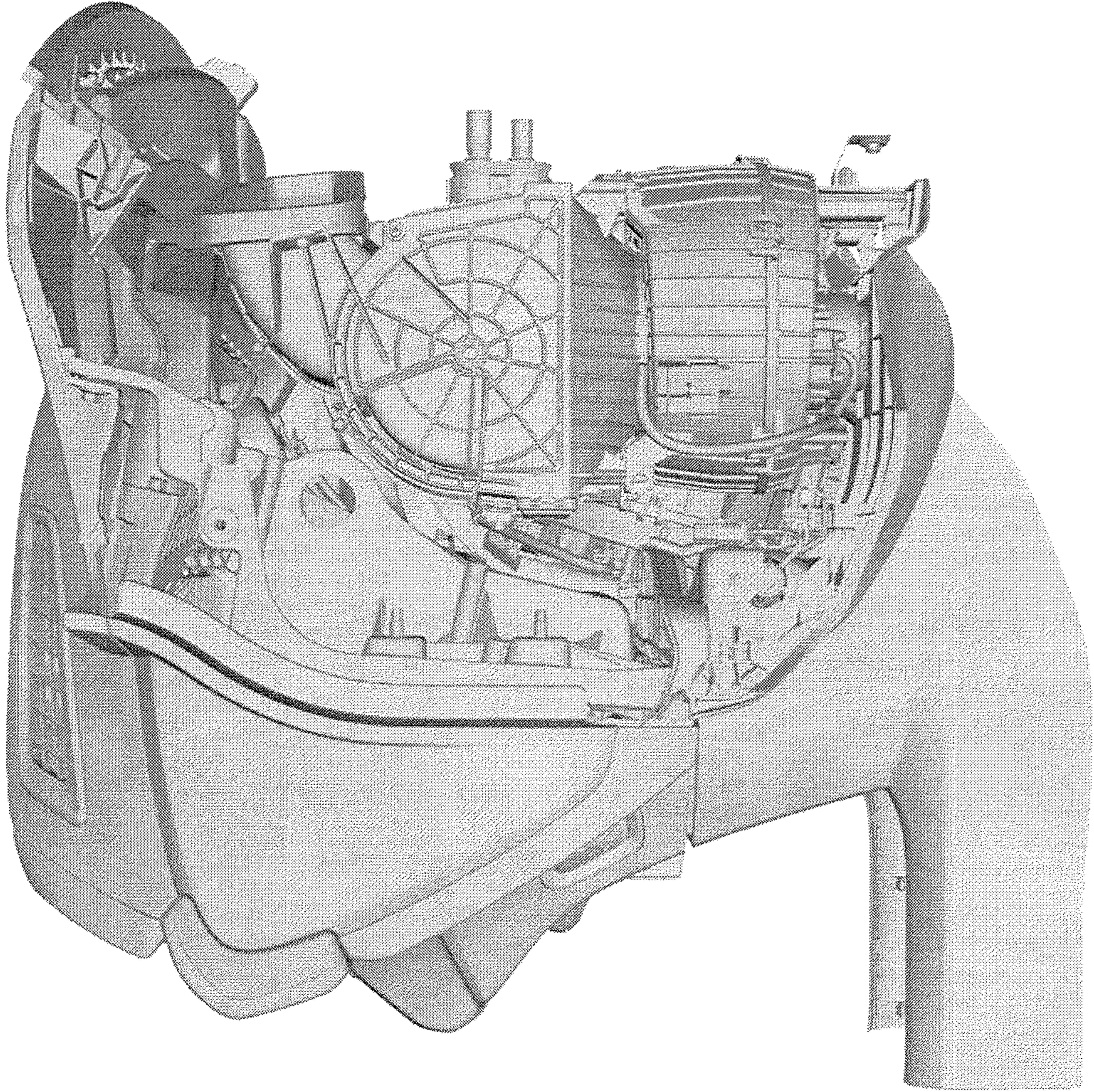


FIGURE 8

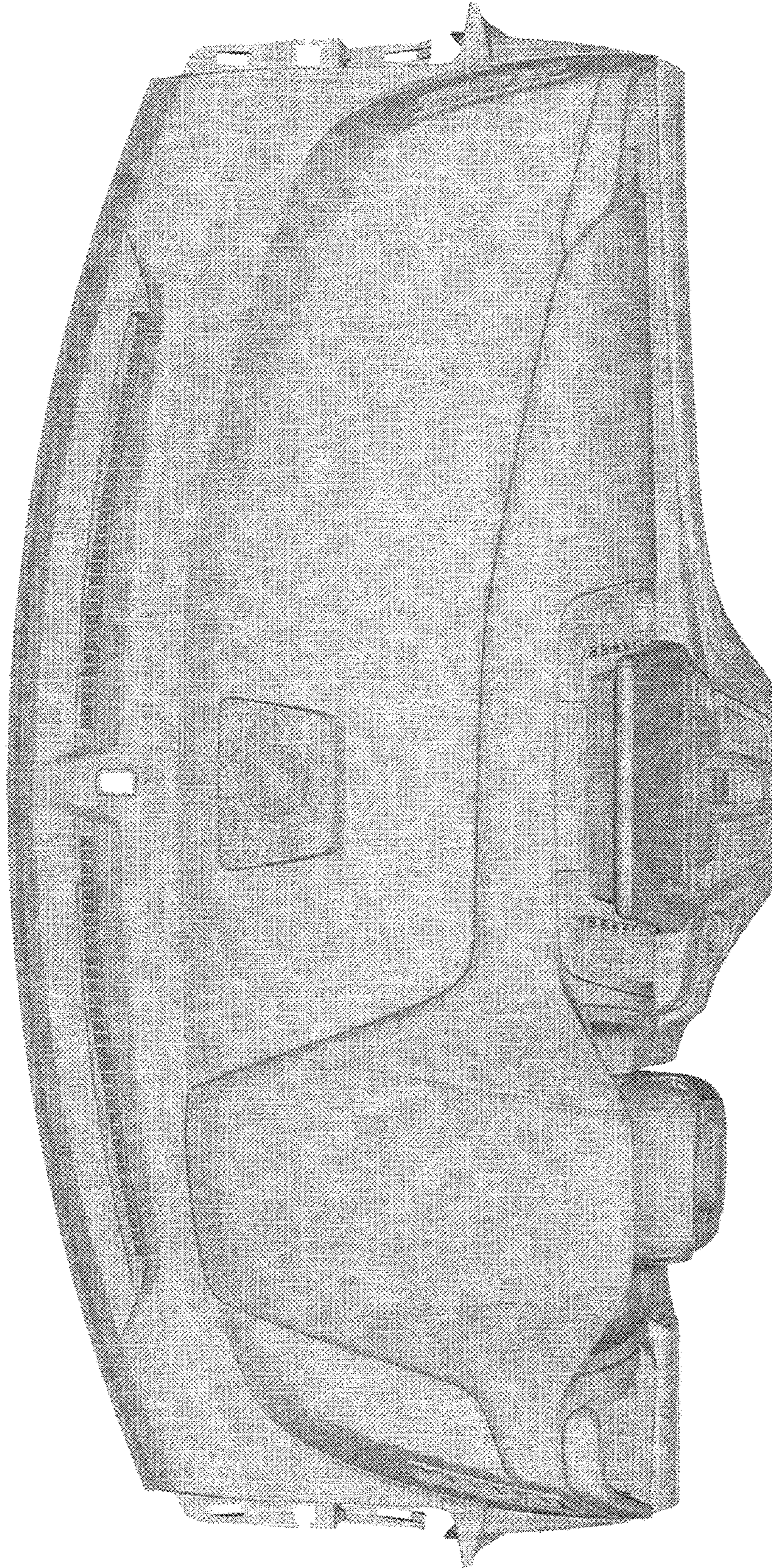


FIGURE 9

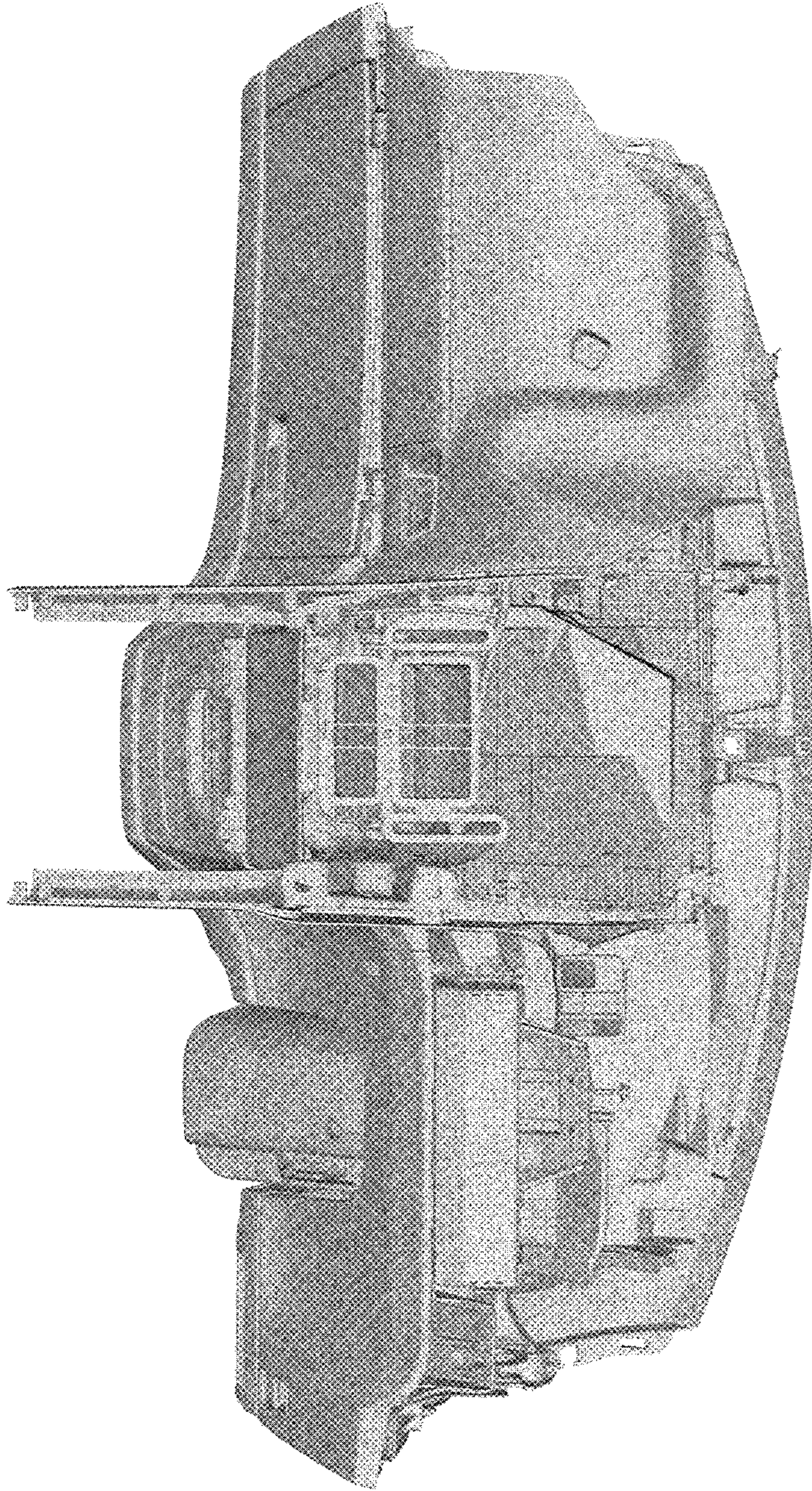


FIGURE 10