



US00D795145S

(12) **United States Design Patent**
Miyashita et al.

(10) **Patent No.:** **US D795,145 S**

(45) **Date of Patent:** **** Aug. 22, 2017**

(54) **INSTRUMENT PANEL FOR AN
AUTOMOBILE**

(71) Applicant: **Fuji Jukogyo Kabushiki Kaisha,**
Tokyo (JP)

(72) Inventors: **Daisuke Miyashita,** Tokyo (JP);
Azuma Sugiura, Tokyo (JP); **Nahoko
Kosaka,** Tokyo (JP)

(73) Assignee: **Subaru Corporation,** Tokyo (JP)

(**) Term: **15 Years**

(21) Appl. No.: **29/558,498**

(22) Filed: **Mar. 18, 2016**

(30) **Foreign Application Priority Data**

Sep. 18, 2015 (JP) 2015-020801

(51) **LOC (10) Cl.** **12-16**

(52) **U.S. Cl.**
USPC **D12/192**

(58) **Field of Classification Search**
USPC D21/477; D10/102, 49, 46, 98, 103,
D10/122-127, 53; D12/192, 110, 114,
D12/415; 296/97.1, 37.18, 70, 37.12;
362/492; 702/165; D14/157, 210, 224.1,
D14/258, 315; D15/17, 28; 348/118,
348/837; D26/139
CPC B60R 21/045; B60R 11/02; B60K 35/00;
B60H 3/06
See application file for complete search history.

(56) **References Cited**

U.S. PATENT DOCUMENTS

D492,631 S * 7/2004 Pfeiffer D12/192
D493,756 S * 8/2004 Yamamoto D12/192

D533,492 S * 12/2006 Maezono D12/192
D539,714 S * 4/2007 Toyama D12/192
D577,642 S * 9/2008 Kitajima D12/192
D693,753 S * 11/2013 Cheung D12/192
D696,171 S * 12/2013 Iwauchi D12/192
D718,200 S * 11/2014 Arnaout D12/192
D721,996 S * 2/2015 Farcas D12/192
D727,816 S * 4/2015 Takagi D12/192
D731,938 S * 6/2015 Miyashita D12/192
D743,858 S * 11/2015 Sugiura D12/176
D761,709 S * 7/2016 Shimizu D12/192
D762,152 S * 7/2016 Inagaki D12/192
D762,153 S * 7/2016 Inagaki D12/192
9,468,122 B2 * 10/2016 Woodward F21V 21/00
D770,348 S * 11/2016 Shimizu D12/192

* cited by examiner

Primary Examiner — Lakiya Rogers

Assistant Examiner — Altaira Swangin

(74) *Attorney, Agent, or Firm* — Schiff Hardin LLP

(57) **CLAIM**

We claim the ornamental design for an instrument panel for an automobile thereof, as shown and described.

DESCRIPTION

FIG. 1 is a front perspective view for an instrument panel for an automobile showing our new design, FIG. 2 is a front perspective view thereof, FIG. 3 is a front view thereof, FIG. 4 is a rear view thereof, FIG. 5 is a top view thereof, FIG. 6 is a bottom view thereof, FIG. 7 is a left-side view thereof; and, FIG. 8 is a right-side view thereof.

1 Claim, 8 Drawing Sheets

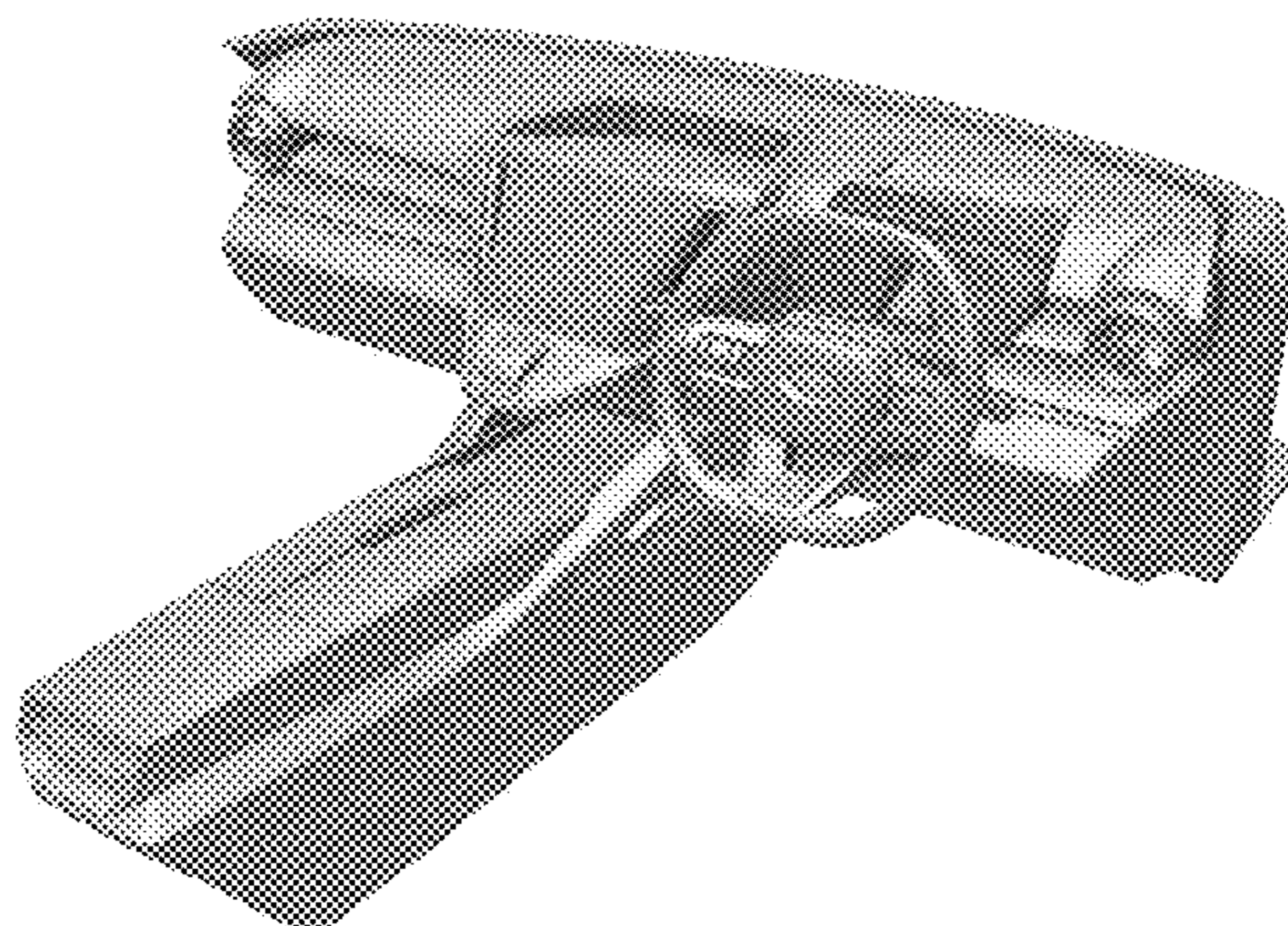
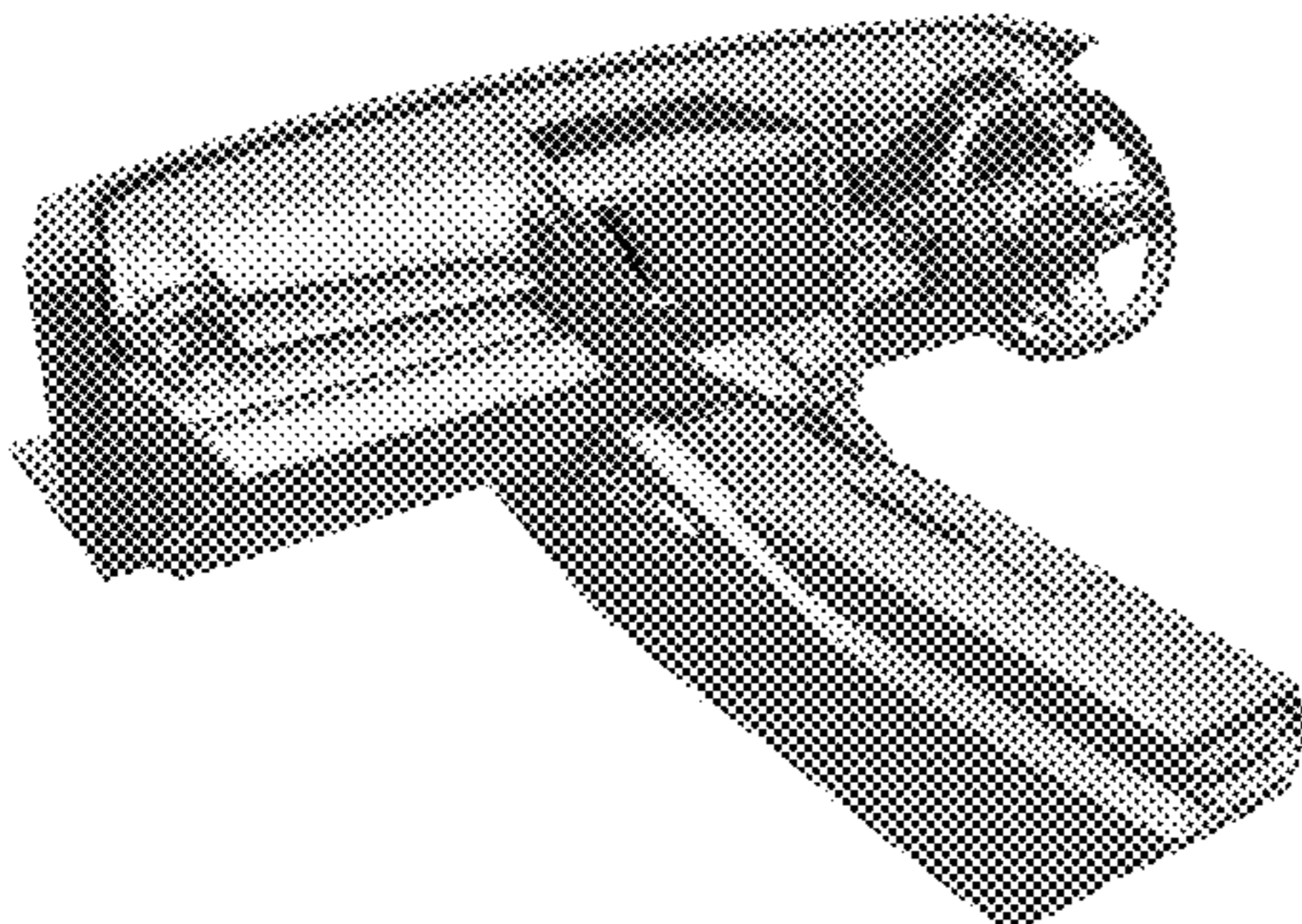


Fig. 1

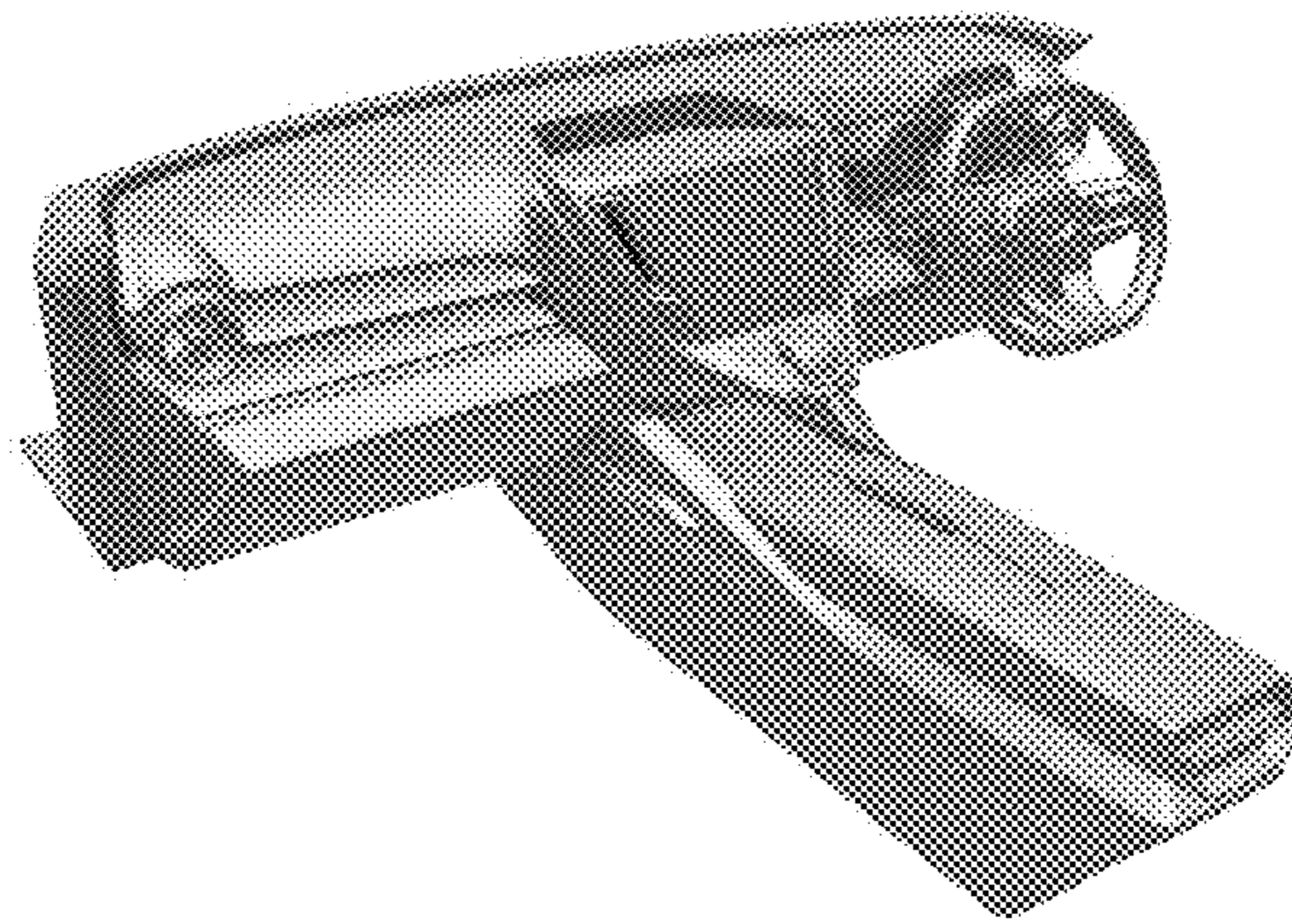


Fig. 2

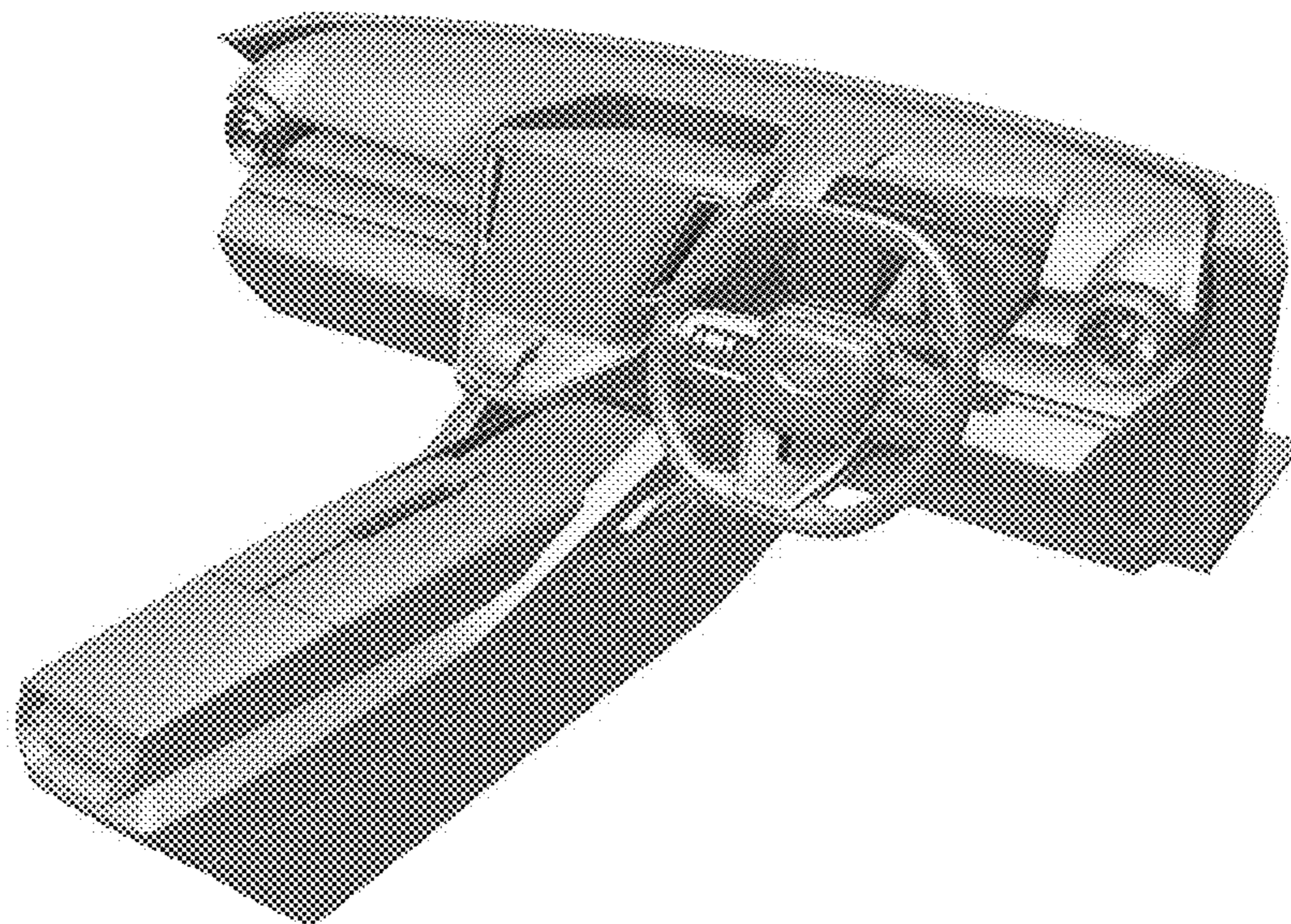


Fig. 3

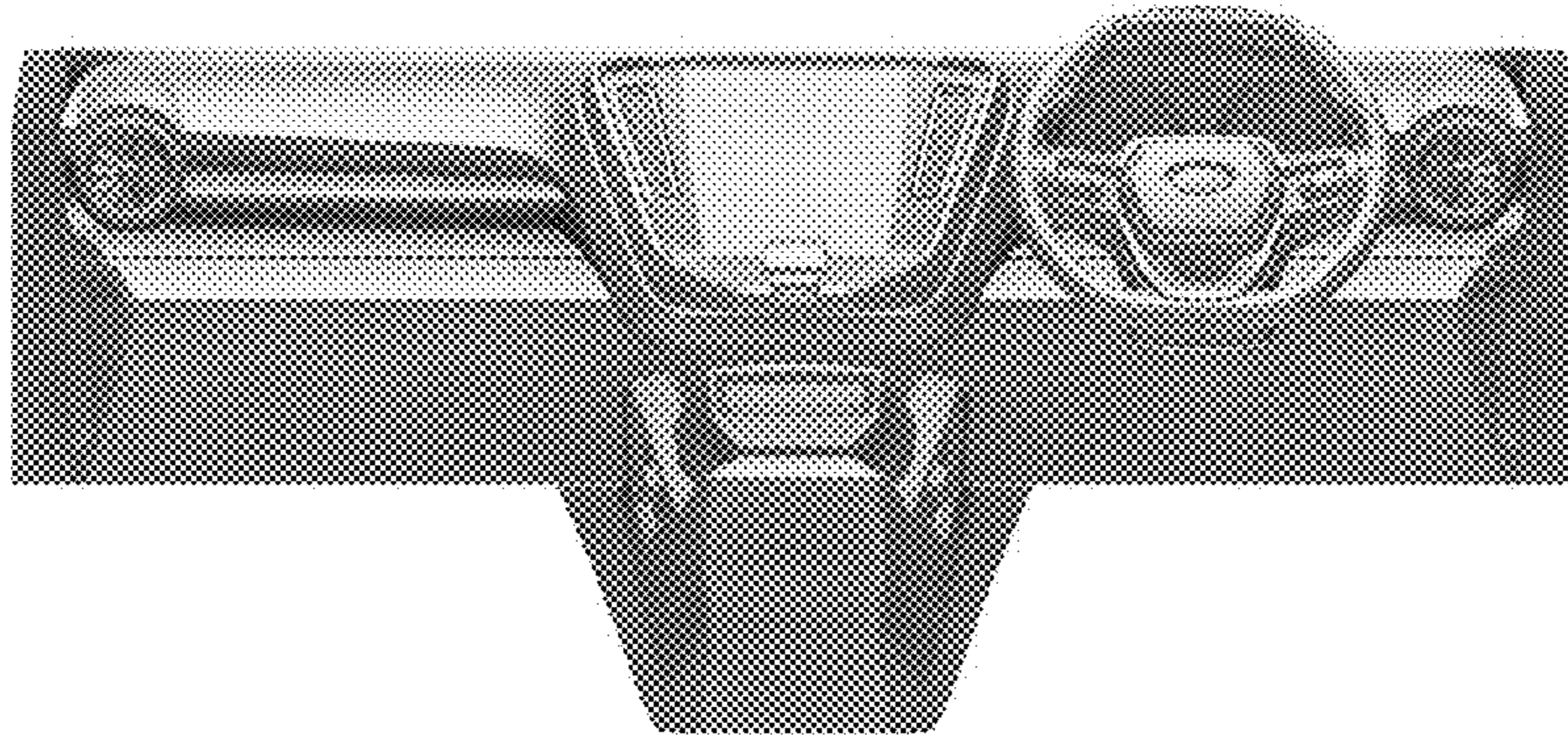


Fig. 4

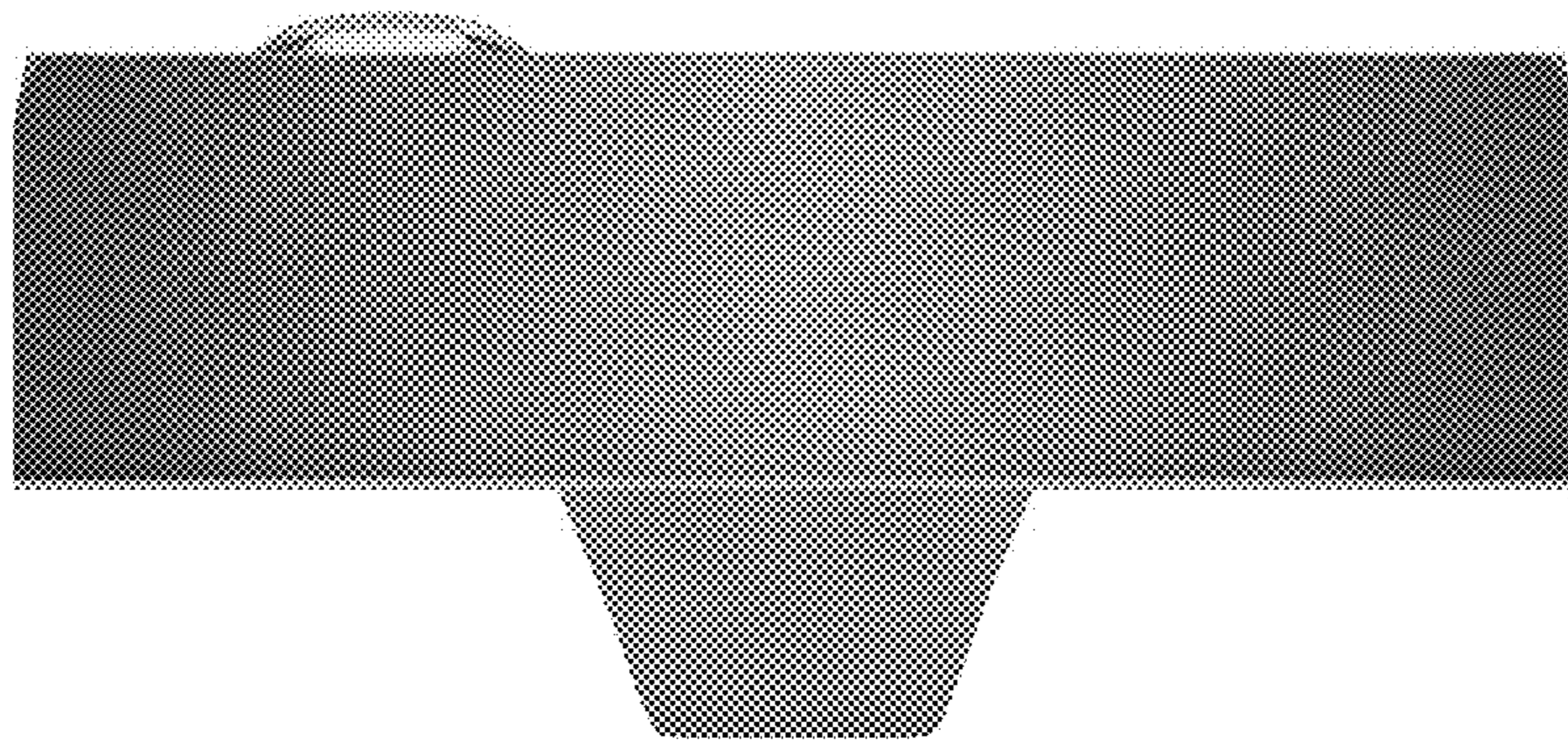


Fig. 5

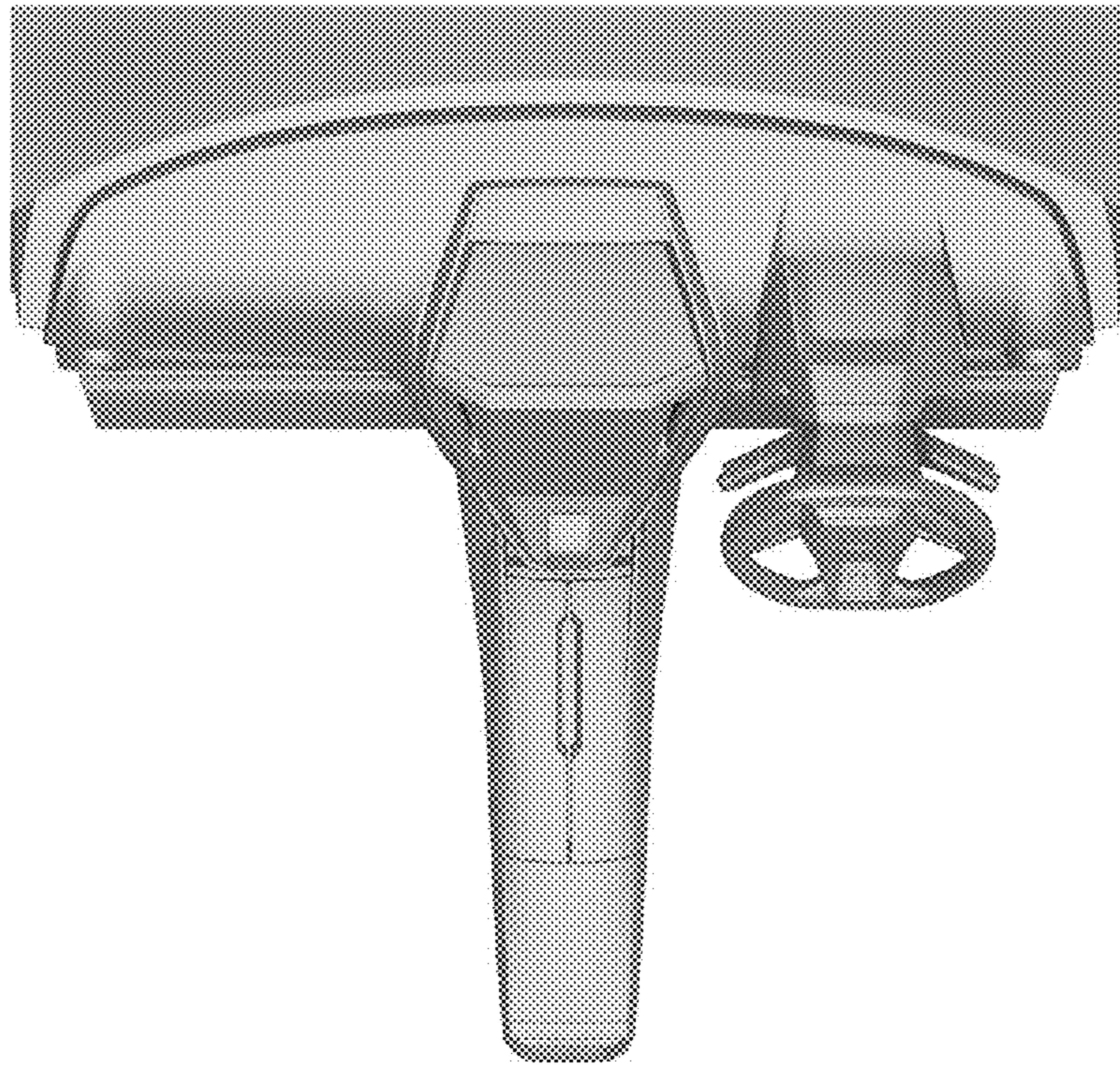


Fig. 6

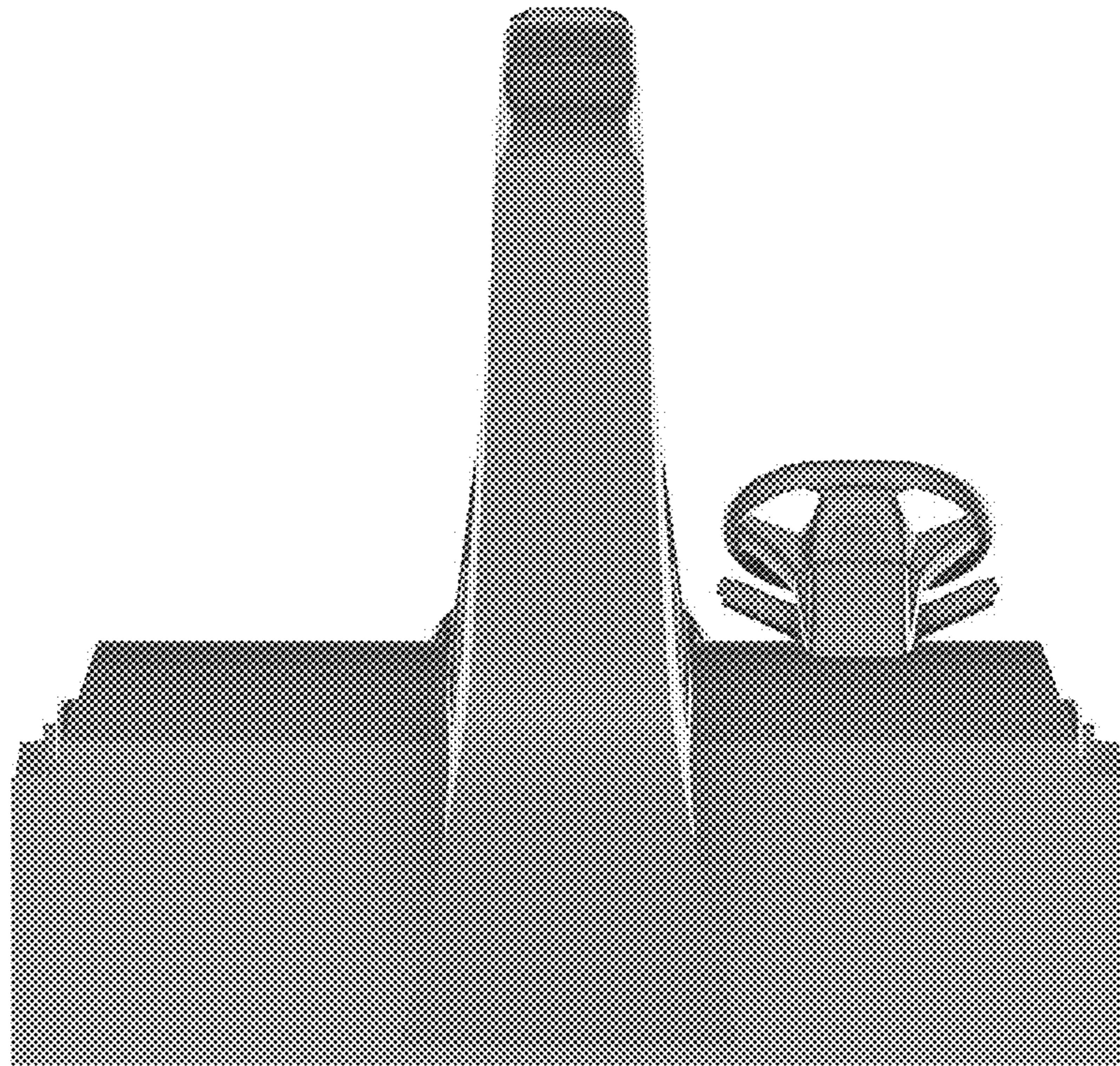


Fig. 7

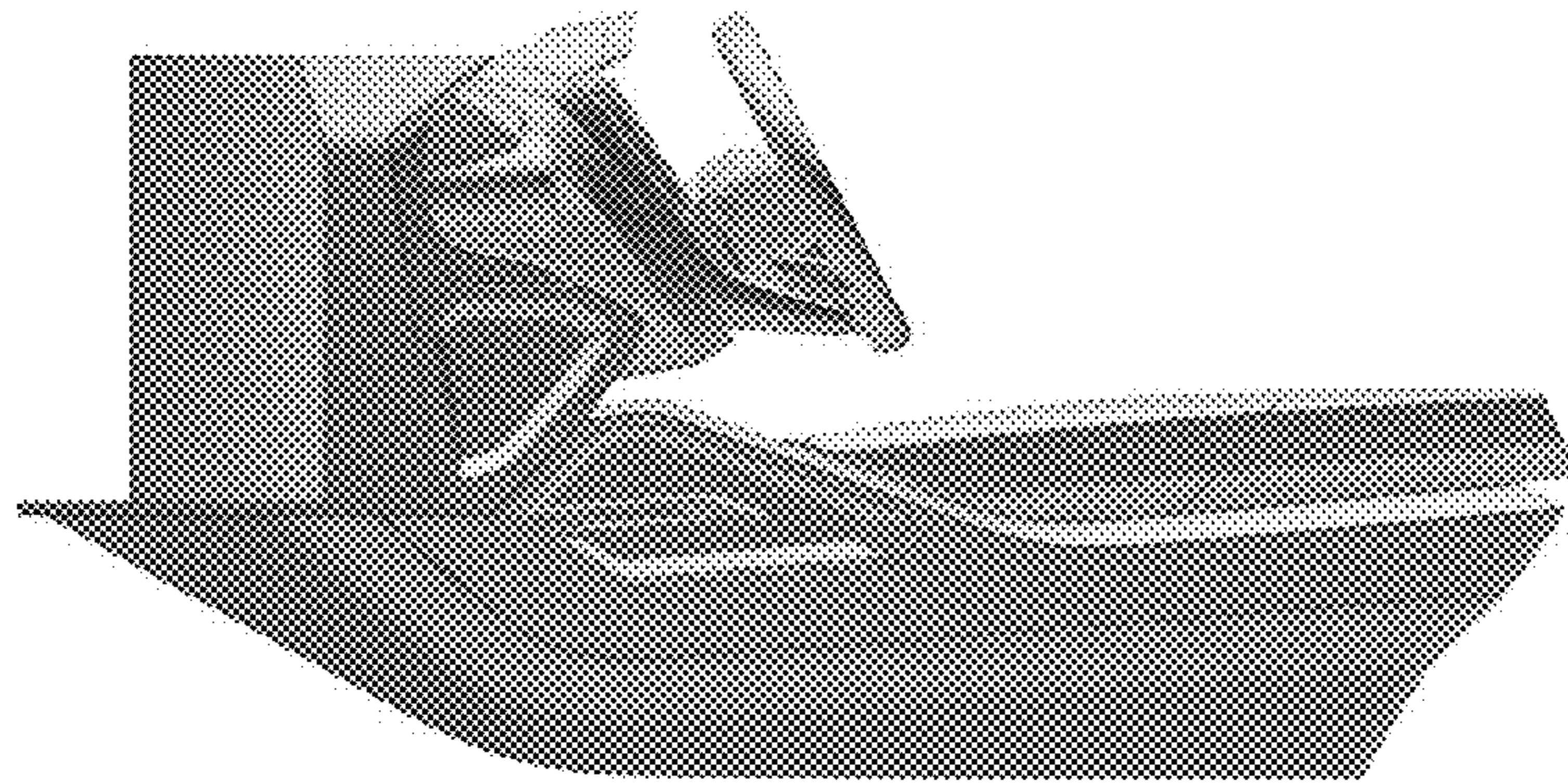


Fig. 8

