



US00D795136S

(12) **United States Design Patent**
Matsumoto et al.

(10) **Patent No.:** **US D795,136 S**

(45) **Date of Patent:** **** Aug. 22, 2017**

(54) **MOTOR VEHICLE AND/OR TOY REPLICA THEREOF**

D762,526 S * 8/2016 Minami D12/90
D763,136 S * 8/2016 Minami D12/90
D774,951 S * 12/2016 Kazama D12/91

(71) Applicants: **Kengo Matsumoto**, Nagoya (JP); **Kenji Kido**, Okazaki (JP); **Tomonori Matsumoto**, Irvine, CA (US)

OTHER PUBLICATIONS

Catalog of Prius, Publisher: Toyota; Model: Toyota Prius (Third generation); Mfg.: Toyota; Publication Date: Nov. 1, 2011.
Wikipedia; URL: <https://ja.wikipedia.org/wiki/%E3%83%9B%E3%83%B3%E3%83%80%E3%83%BB%E3%82%A4%E4%E3%83%B3%E3%82%B5%E3%82%A4%E3%83%88>;
Model: Honda Insight (Second generation); Mfg.: Honda; available on at least Jun. 5, 2014.

(72) Inventors: **Kengo Matsumoto**, Nagoya (JP); **Kenji Kido**, Okazaki (JP); **Tomonori Matsumoto**, Irvine, CA (US)

(73) Assignee: **Toyota Jidosha Kabushiki Kaisha**, Toyota-shi, Aichi-ken (JP)

* cited by examiner

(**) Term: **15 Years**

Primary Examiner — Melody N Brown

(21) Appl. No.: **29/552,289**

(74) *Attorney, Agent, or Firm* — Finnegan, Henderson, Farabow, Garrett & Dunner, L.L.P

(22) Filed: **Jan. 21, 2016**

(57) **CLAIM**

The ornamental design for a motor vehicle and/or toy replica thereof, as shown and described.

(30) **Foreign Application Priority Data**

DESCRIPTION

Jul. 23, 2015 (JP) 2015-016425

(51) **LOC (10) Cl.** **12-08**

(52) **U.S. Cl.**
USPC **D12/91**

(58) **Field of Classification Search**
USPC D12/86, 90-92; D21/421, 433, 434;
296/181.1, 181.5
CPC B62D 35/00; B62D 25/00; B62D 25/06;
B62D 33/00
See application file for complete search history.

FIG. 1 is a front and left side perspective view of a motor vehicle and/or toy replica thereof showing our new design; FIG. 2 is a rear and left side perspective view thereof; FIG. 3 is a front and right side perspective view thereof; FIG. 4 is a rear and right side perspective view thereof; FIG. 5 is a front view thereof; FIG. 6 is a rear view thereof; FIG. 7 is a right side view thereof; FIG. 8 is a left side view thereof; and, FIG. 9 is a top view thereof.

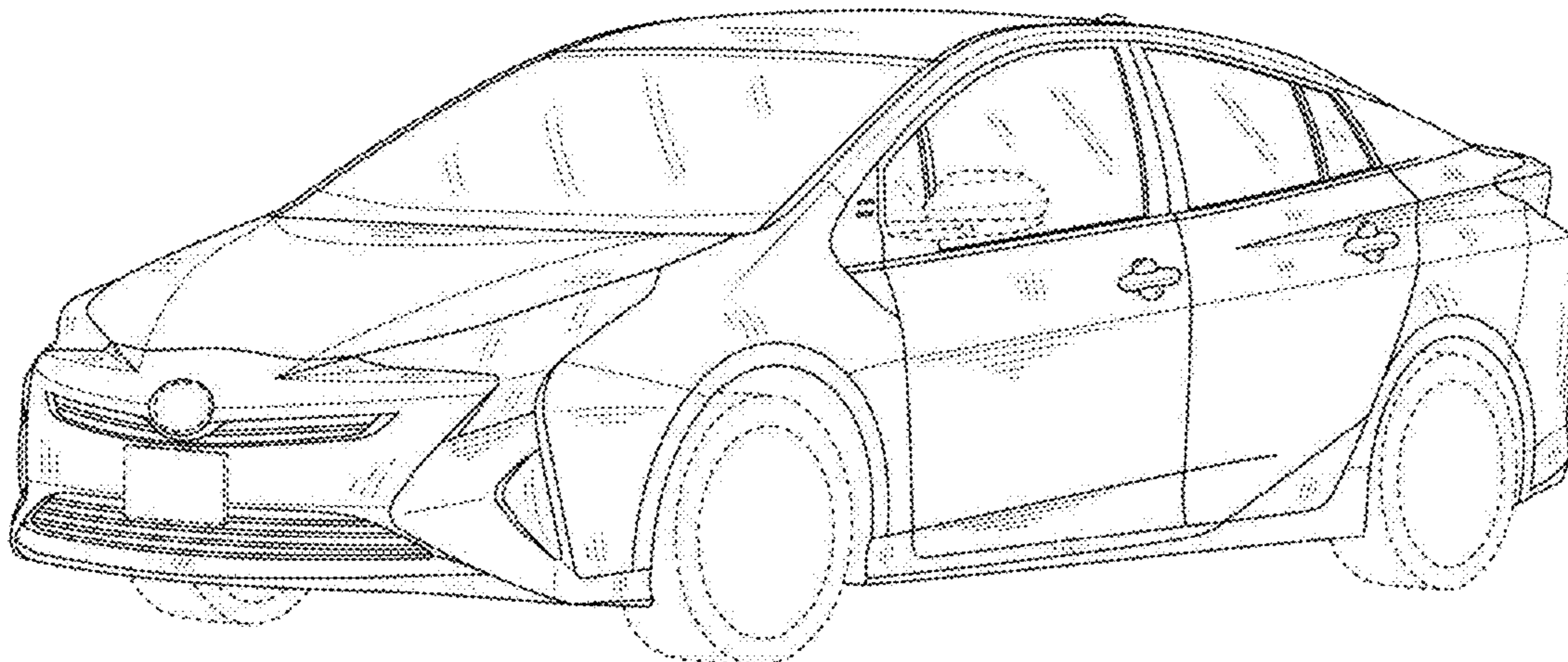
(56) **References Cited**

The bottom view of the motor vehicle forms no part of the claimed design. The portions of the drawings in broken lines are environment and the elements depicted in broken lines form no part of the claimed design.

U.S. PATENT DOCUMENTS

D733,615 S * 7/2015 Ikuma et al. D12/91
D735,079 S * 7/2015 Sperling et al. D12/92

1 Claim, 8 Drawing Sheets



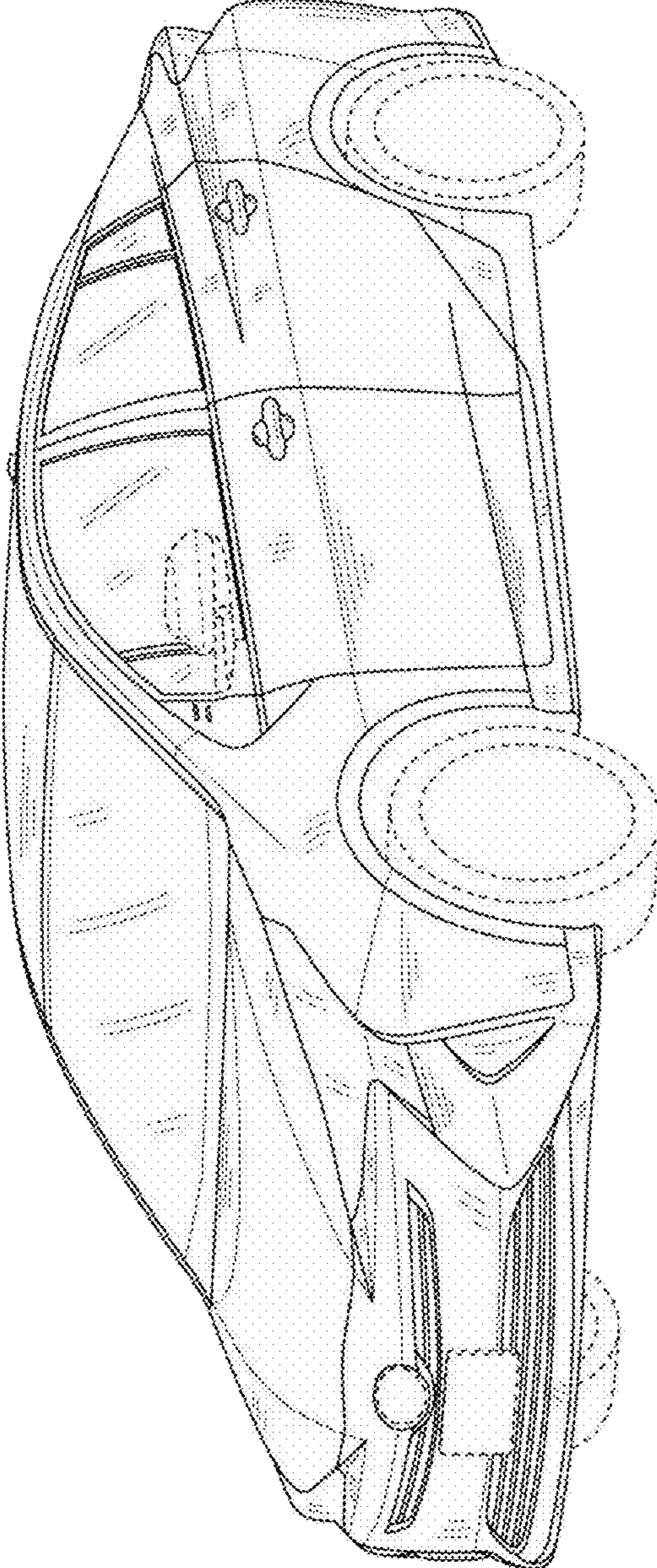


FIG. 1

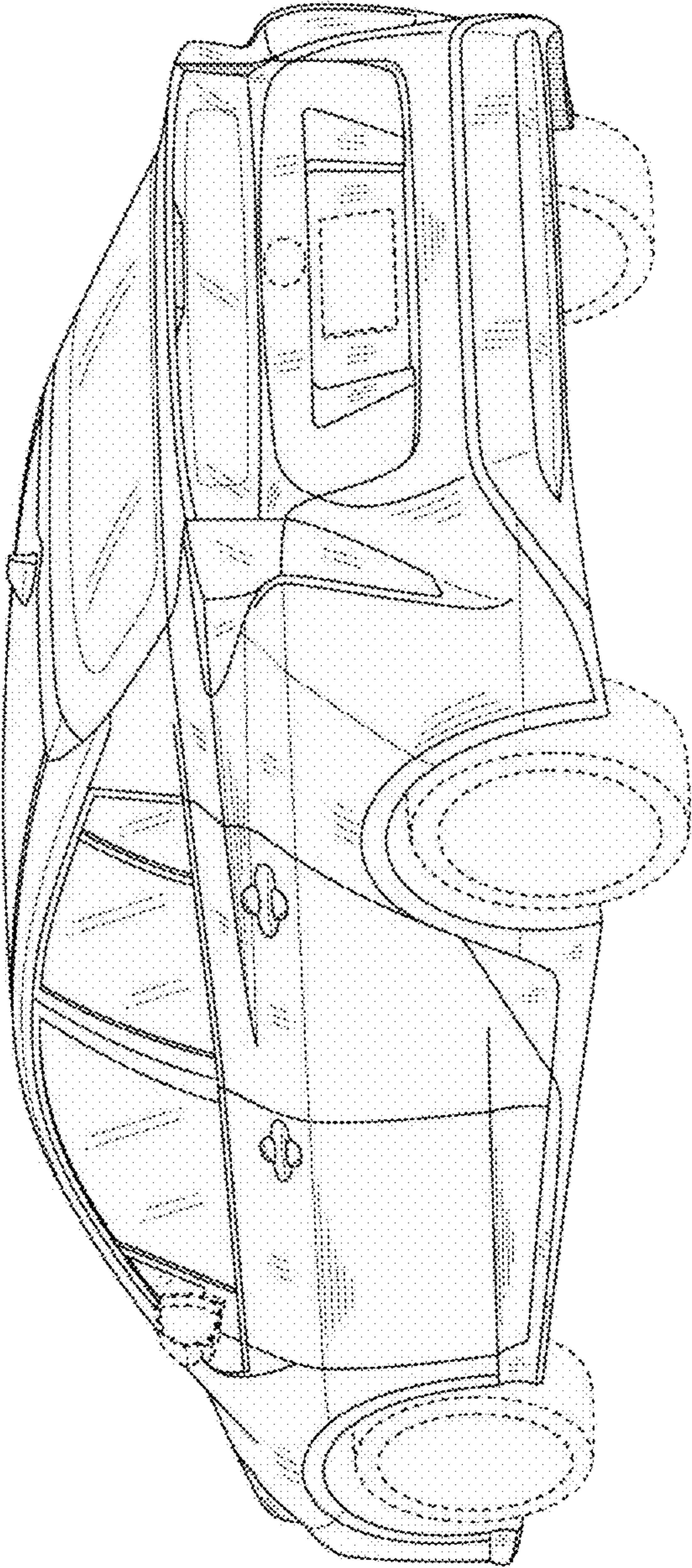


FIG. 2

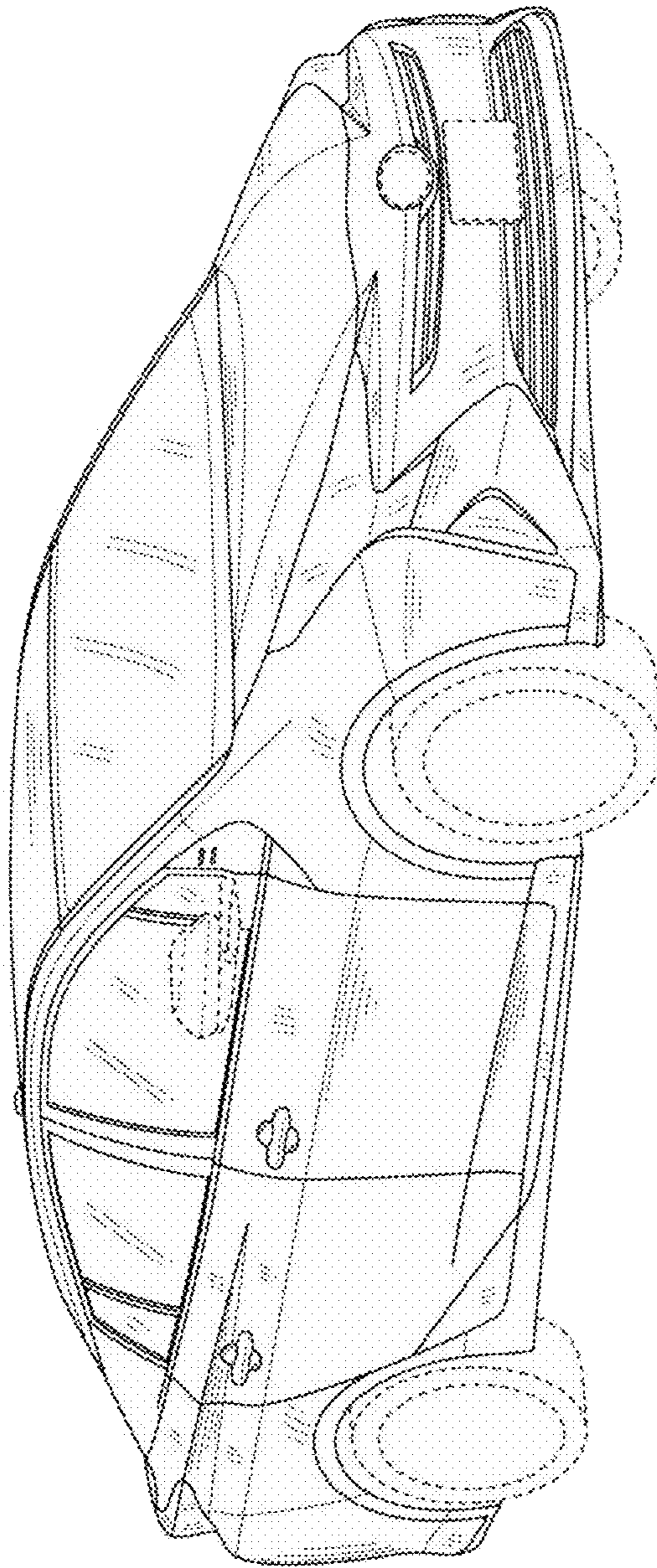


FIG. 3

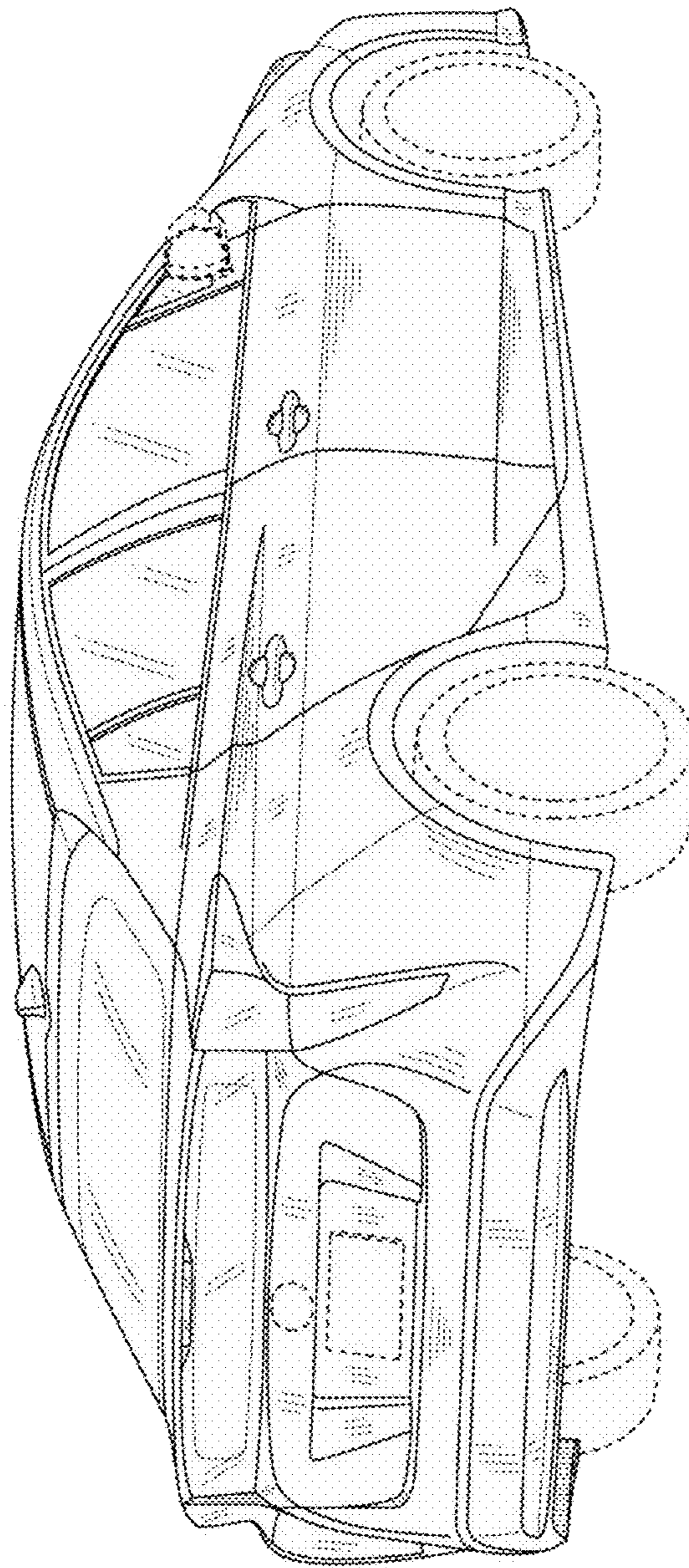


FIG. 4

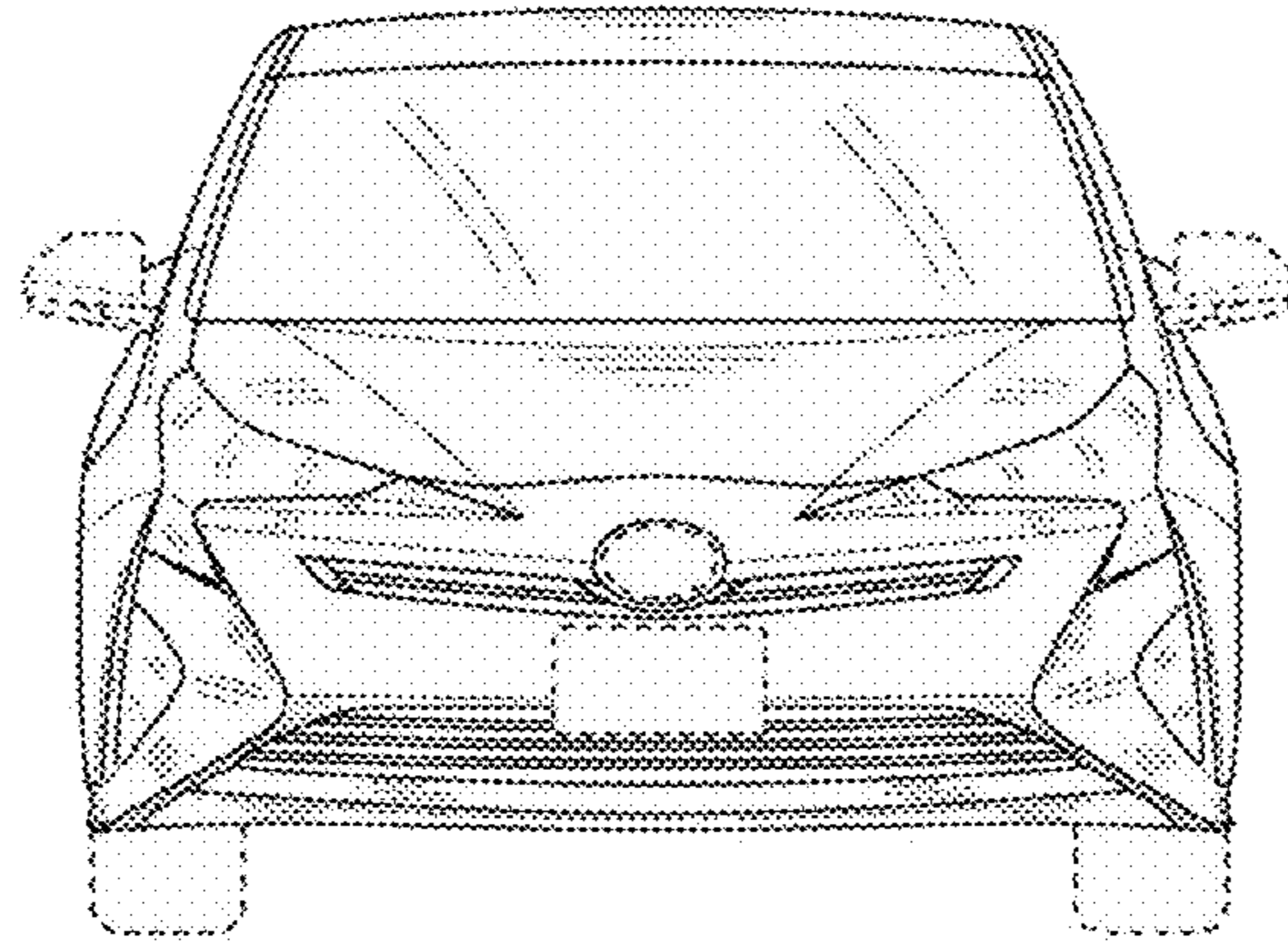


FIG. 5

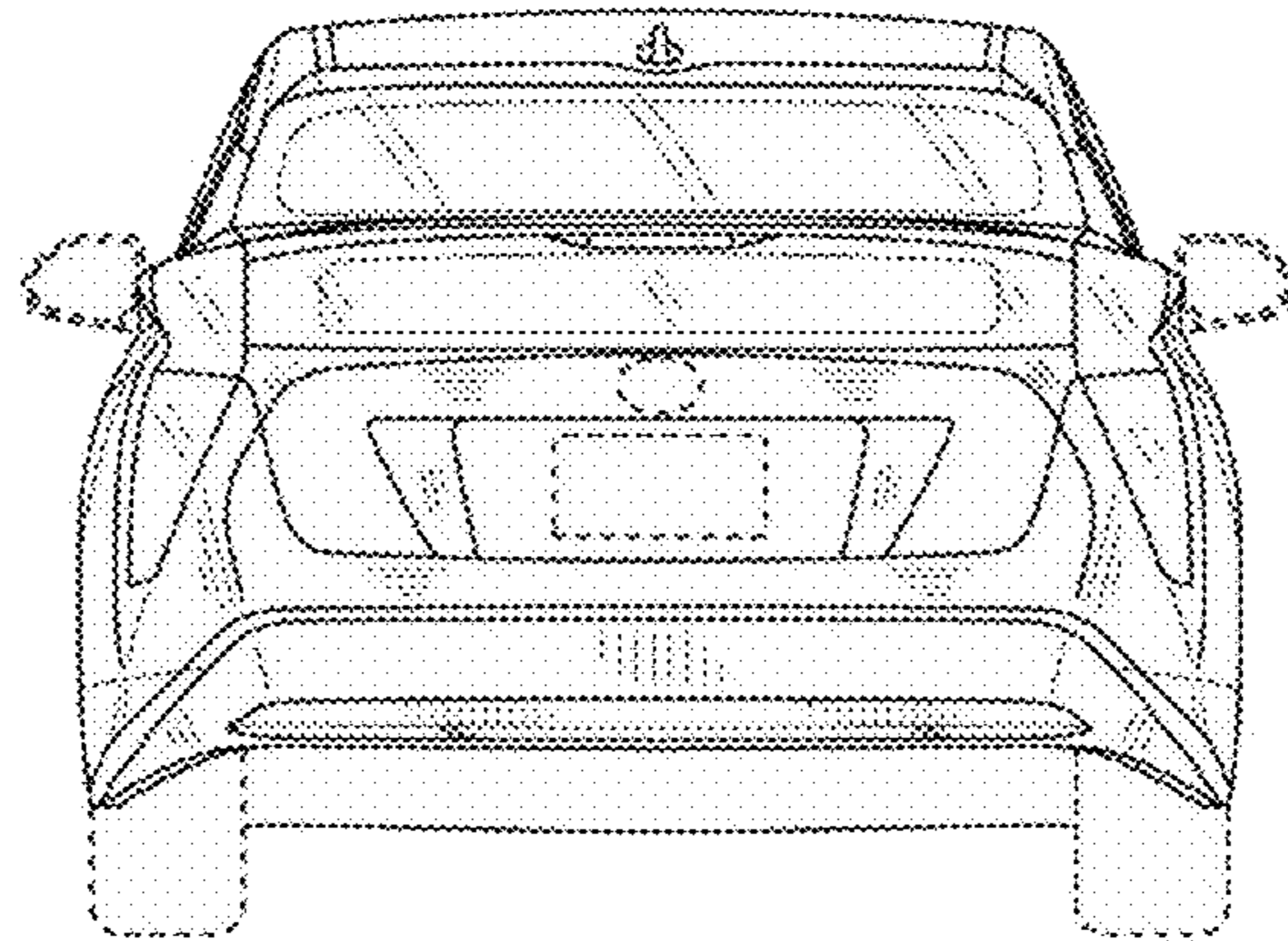


FIG. 6

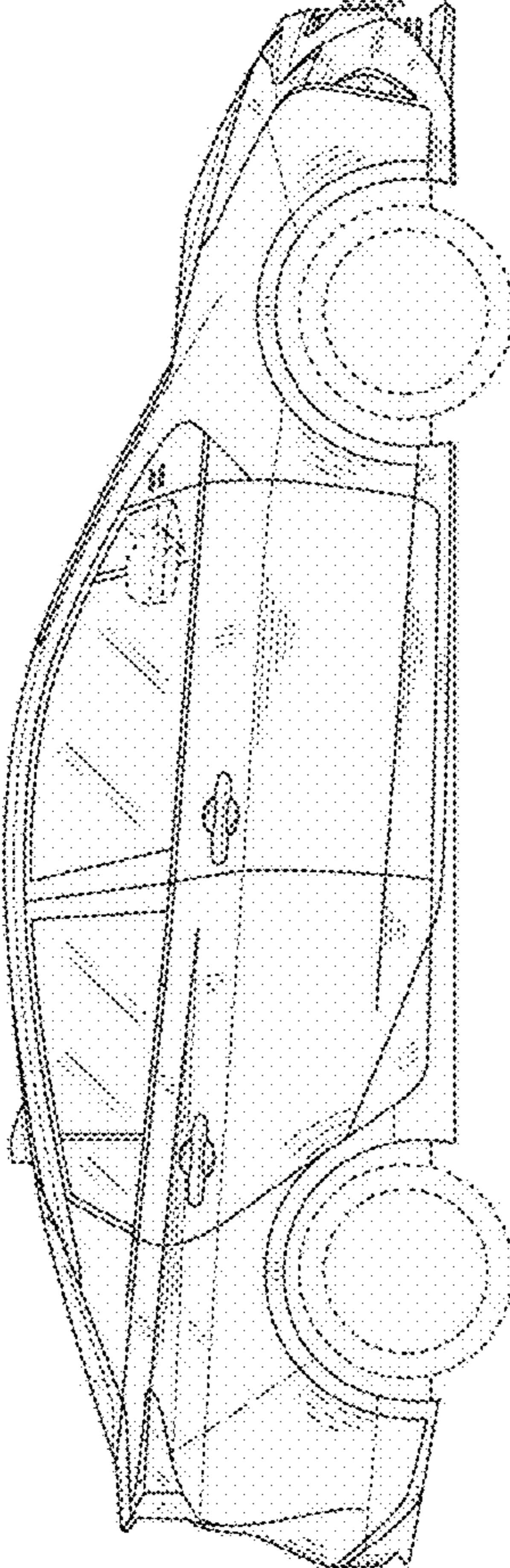


FIG. 7

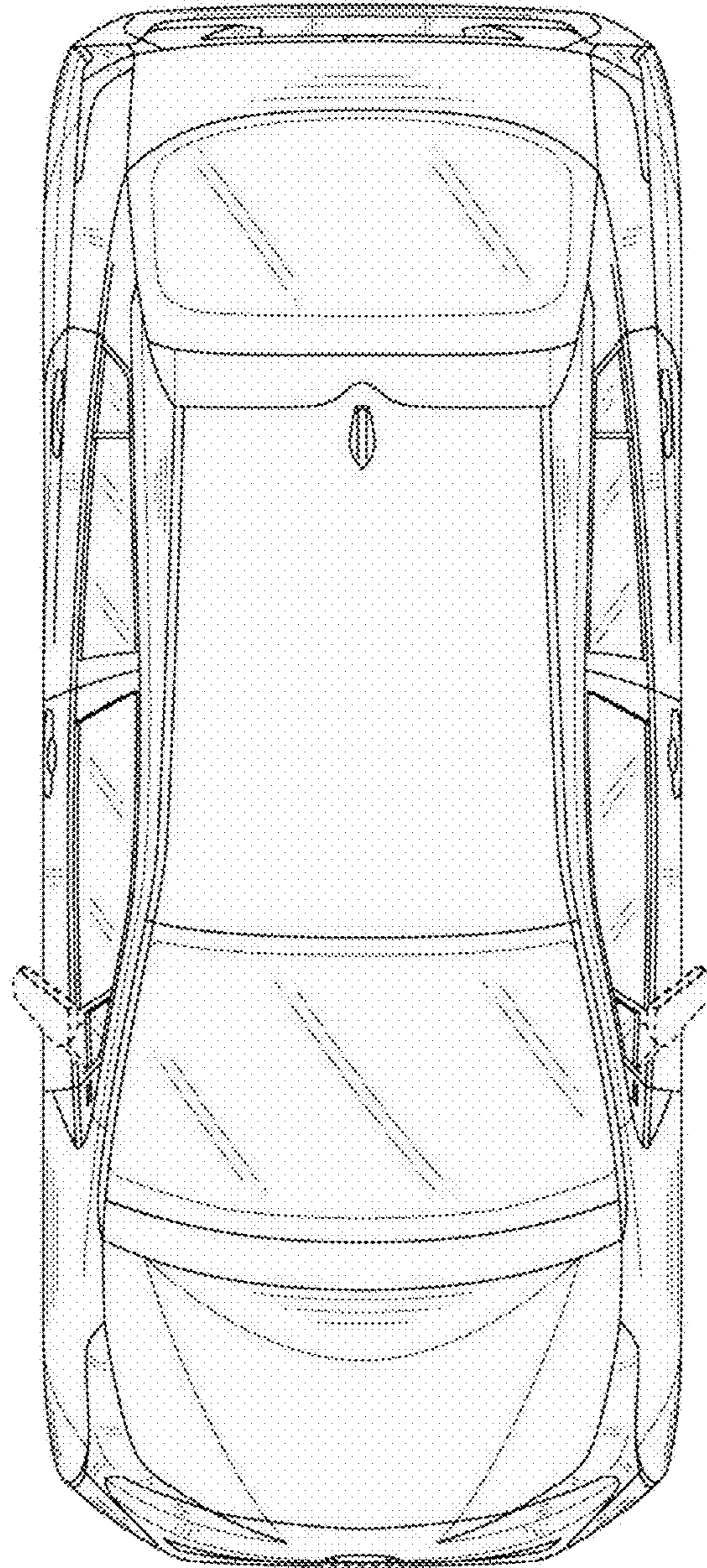


FIG. 9

UNITED STATES PATENT AND TRADEMARK OFFICE
CERTIFICATE OF CORRECTION

PATENT NO. : D795,136 S
APPLICATION NO. : 29/552289
DATED : August 22, 2017
INVENTOR(S) : Kengo Matsumoto et al.

Page 1 of 1

It is certified that error appears in the above-identified patent and that said Letters Patent is hereby corrected as shown below:

On the Title Page

Please correct item (56) under "OTHER PUBLICATIONS" as follows:

Wikipedia; URL:

[https://ja.wikipedia.org/wiki/%E3%83%9B%E3%83%B3%E3%83%80%E3%83%BB%E3%82%A4%\[\[E4%\]\]E3%83%B3%E3%82%B5%E3%82%A4%E3%83%\)88](https://ja.wikipedia.org/wiki/%E3%83%9B%E3%83%B3%E3%83%80%E3%83%BB%E3%82%A4%[[E4%]]E3%83%B3%E3%82%B5%E3%82%A4%E3%83%)88); Model: Honda Insight (Second generation); Mfg.: Honda; Update: Unspecified. However, this prior art is available at least early as June 5, 2014.

Signed and Sealed this
Ninth Day of January, 2018



Joseph Matal

*Performing the Functions and Duties of the
Under Secretary of Commerce for Intellectual Property and
Director of the United States Patent and Trademark Office*

UNITED STATES PATENT AND TRADEMARK OFFICE
CERTIFICATE OF CORRECTION

PATENT NO. : D795,136 S
APPLICATION NO. : 29/552289
DATED : August 22, 2017
INVENTOR(S) : Kengo Matsumoto et al.

Page 1 of 2

It is certified that error appears in the above-identified patent and that said Letters Patent is hereby corrected as shown below:

Please correct item (56) under "OTHER PUBLICATIONS" to read as follows:

Wikipedia; URL:

<https://ja.wikipedia.org/wiki/%E3%83%9B%E3%83%B3%E3%83%80%E3%83%BB%E3%82%A4%E3%83%B3%E3%82%B5%E3%82%A4%E3%83%88>;

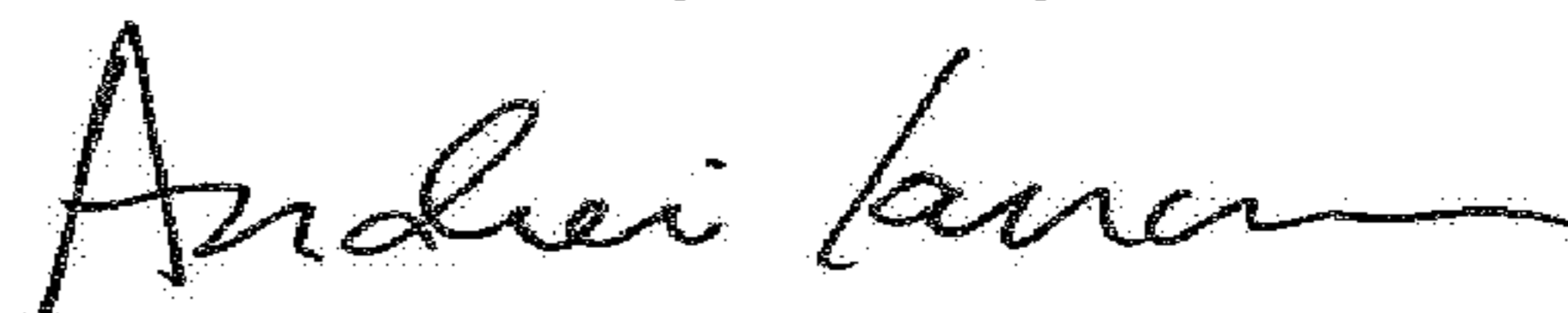
Model: Honda Insight: (Second generation); Mfg.: Honda; Update:

Unspecified. However, this prior art is available at least early as June 5, 2014.

Replace Drawing Sheet 6 of 8 with attached Drawing Sheet 6 of 8.

This certificate supersedes the Certificate of Correction issued January 9, 2018.

Signed and Sealed this
Third Day of July, 2018



Andrei Iancu
Director of the United States Patent and Trademark Office

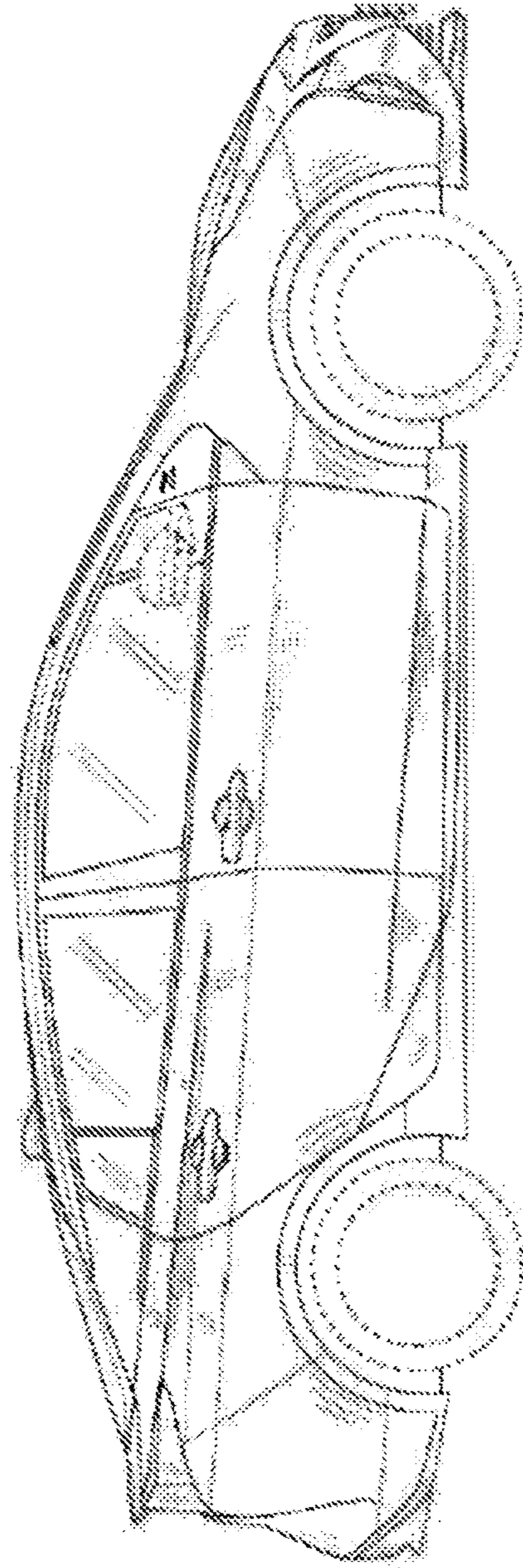


FIG. 7