



US00D795130S

(12) **United States Design Patent** (10) **Patent No.:** **US D795,130 S**
Clayton (45) **Date of Patent:** **** Aug. 22, 2017**

(54) **AEROPONIC CROP TOWER**
(71) Applicant: **Robert Clayton**, Largo, FL (US)
(72) Inventor: **Robert Clayton**, Largo, FL (US)
(**) Term: **15 Years**
(21) Appl. No.: **29/540,293**
(22) Filed: **Sep. 23, 2015**
(51) **LOC (10) Cl.** **11-02**
(52) **U.S. Cl.**
USPC **D11/155**
(58) **Field of Classification Search**
USPC D11/143, 152-155; D6/405; D8/1
CPC A01G 31/06; A01G 31/02
See application file for complete search history.

2006/0032128 A1* 2/2006 Bryan A01G 31/06
47/62 R
2013/0118074 A1* 5/2013 Fullbrook A01G 9/025
47/62 N
2013/0152468 A1* 6/2013 Huang A01G 9/022
47/82
2014/0000162 A1* 1/2014 Blank A01G 31/06
47/62 A
2015/0313104 A1* 11/2015 Cottrell A01G 1/001
47/62 A
2015/0334930 A1* 11/2015 Stoltzfus A01G 31/06
47/62 A
2016/0050863 A1* 2/2016 Graber A01G 31/02
47/62 R

(Continued)

Primary Examiner — Sheryl Lane
(74) *Attorney, Agent, or Firm* — Larson & Larson, P.A.;
Frank Liebenow

(56) **References Cited**

U.S. PATENT DOCUMENTS

D262,274 S * 12/1981 Lahr 47/82
4,622,777 A * 11/1986 Greene, Jr. A01G 9/022
47/67
D320,493 S * 10/1991 Fewell D11/146
5,276,997 A * 1/1994 Swearingin A01G 9/022
47/48.5
D362,784 S * 10/1995 Sperry D11/155
D376,714 S * 12/1996 Dallimore D11/152
6,615,542 B2 * 9/2003 Ware A01G 31/02
47/83
7,055,282 B2 * 6/2006 Bryan, III A01G 31/06
47/62 R
D603,181 S * 11/2009 Carlington D6/405
D638,743 S * 5/2011 Bouchard D11/143
D658,537 S * 5/2012 Simmons D11/143
D752,478 S * 3/2016 Cudmore D11/152
D758,917 S * 6/2016 Smith D11/155
9,357,715 B2 * 6/2016 Cottrell A01G 1/001
D760,622 S * 7/2016 Ogden D11/143
D785,497 S * 5/2017 Storey 47/62 N
2003/0089037 A1 * 5/2003 Ware A01G 31/02
47/83

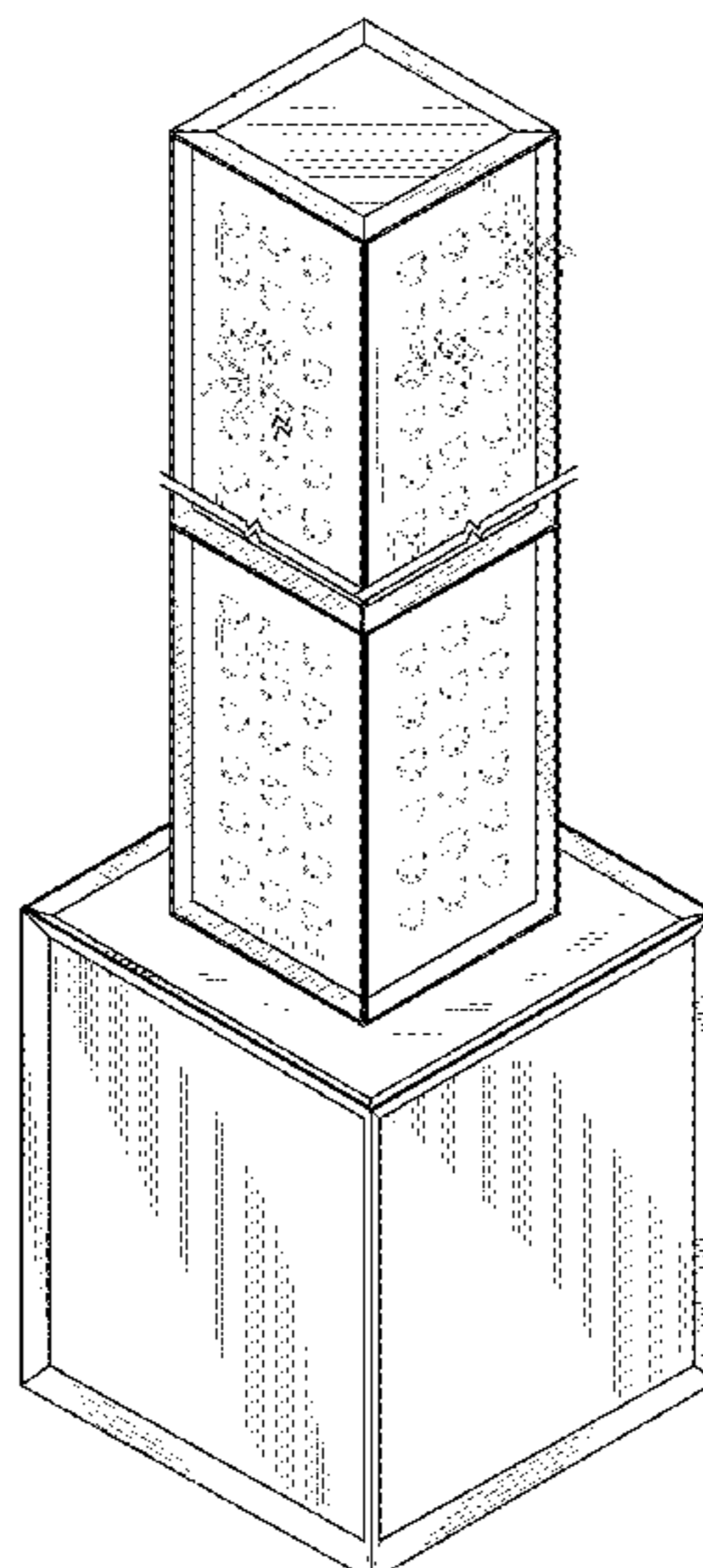
(57) **CLAIM**

The ornamental design for an aeroponic crop tower, as shown and described.

DESCRIPTION

FIG. 1 is a front elevation view of an aeroponic crop tower showing my new design;
FIG. 2 is a rear elevation view thereof;
FIG. 3 is a left side elevation view thereof;
FIG. 4 is a right side elevation view thereof;
FIG. 5 is a top plan view thereof; and,
FIG. 6 is a perspective view thereof.
The article is shown with a symbolic break. The appearance of any portion of the design between the breaks forms no part of the claimed design. The broken lines depicting holes in FIGS. 1-4 and 6 form no part of the claimed design. The broken lines also depicting plants in FIG. 6 form no part of the claimed design. The bottom surface forms no part of the claimed invention.

1 Claim, 4 Drawing Sheets



(56)

References Cited

U.S. PATENT DOCUMENTS

2016/0100535 A1* 4/2016 Daugirdas A01G 31/001
47/62 E
2016/0120141 A1* 5/2016 Stolfus A01G 31/06
47/62 A
2016/0135398 A1* 5/2016 Mathieu A01G 31/06
47/62 R
2017/0055473 A1* 3/2017 Baker A01G 9/023
2017/0105372 A1* 4/2017 Bryan, III A01G 27/005

* cited by examiner

FIG. 1

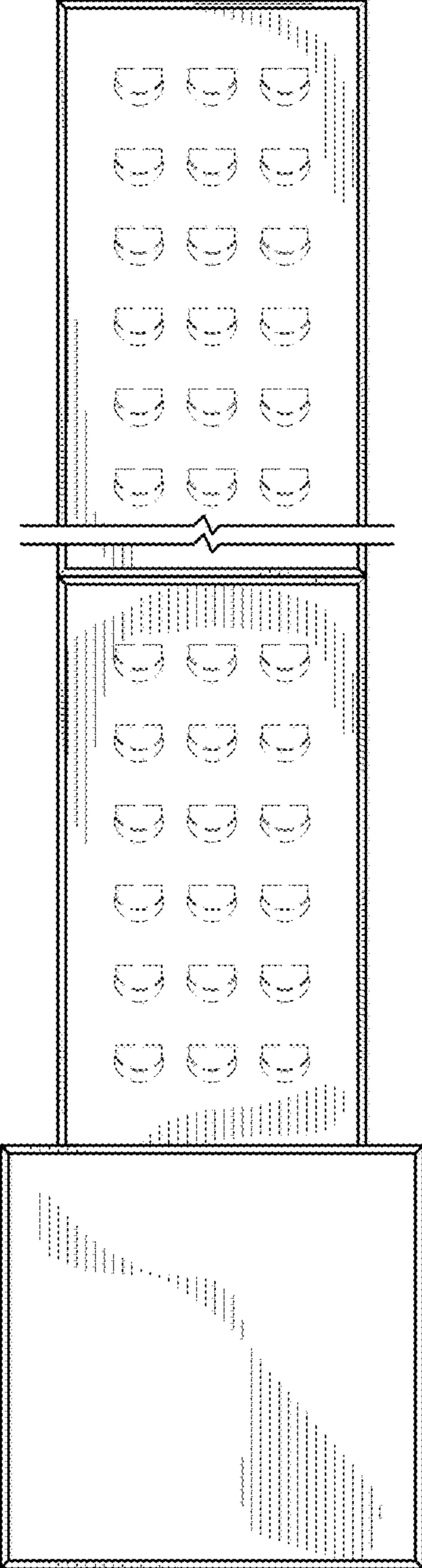


FIG. 2

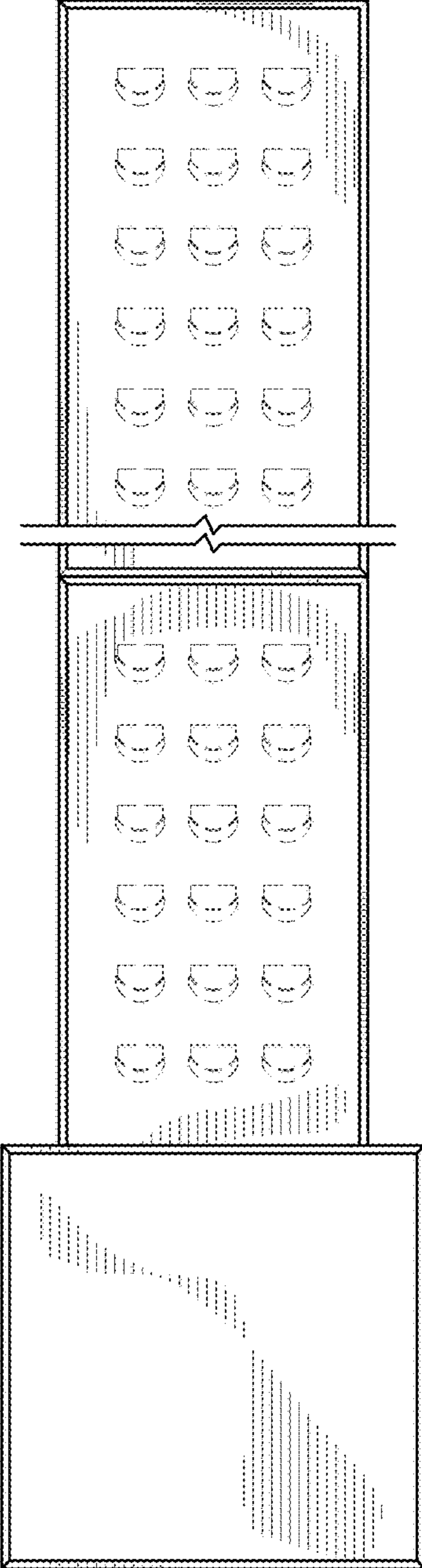


FIG. 3

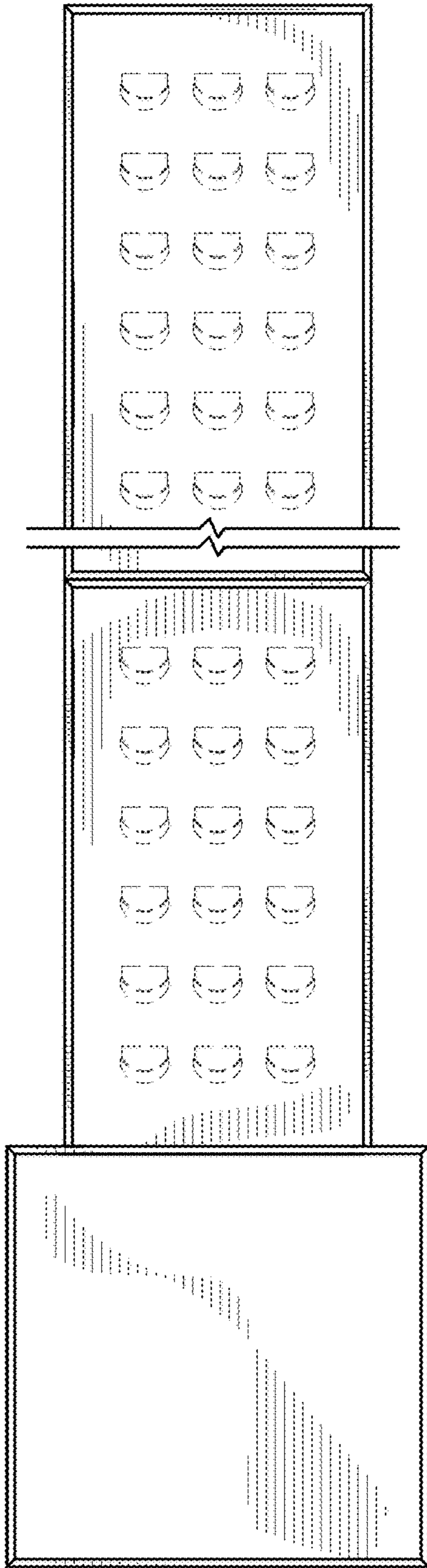


FIG. 4

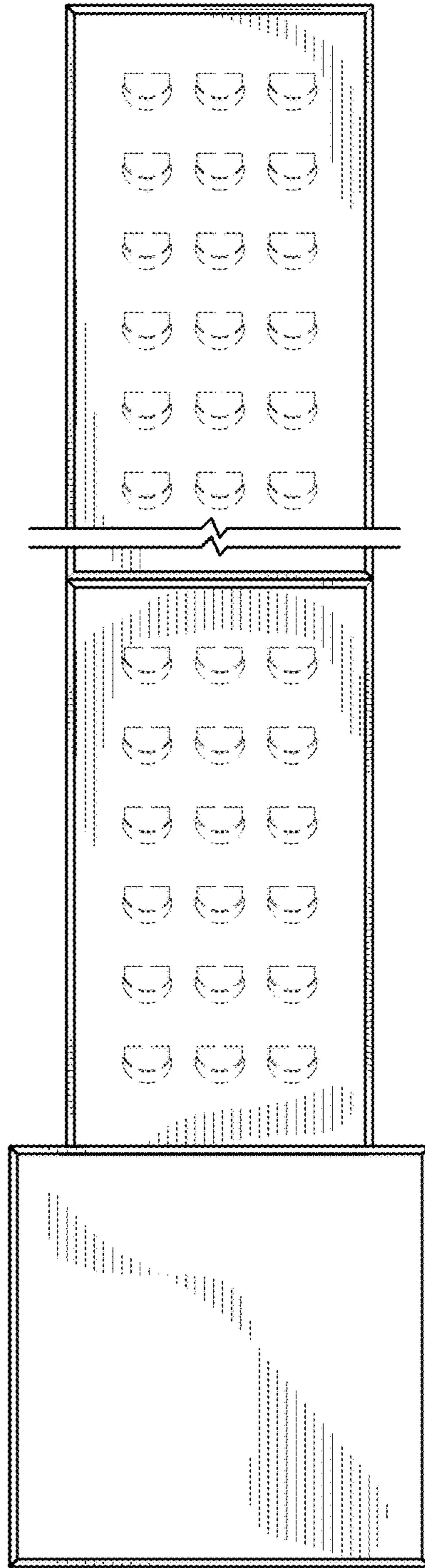


FIG. 5

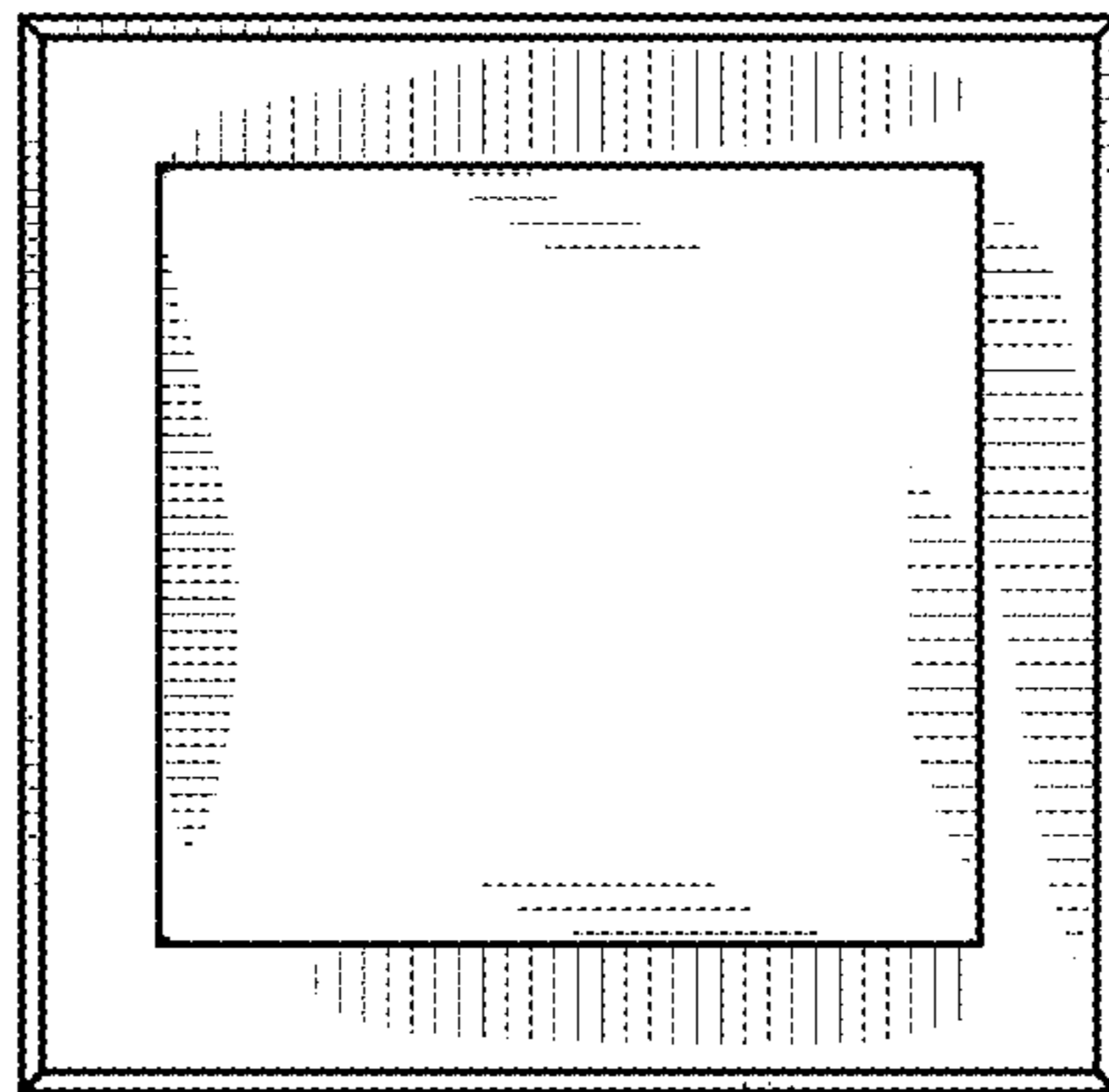


FIG. 6

