



US00D795129S

(12) **United States Design Patent** (10) **Patent No.:** **US D795,129 S**
Dillard et al. (45) **Date of Patent:** **** Aug. 22, 2017**

(54) **HYDROPONIC TOWER**
(71) Applicant: **Hidro Food Systems, LLC**, Austin, TX (US)
(72) Inventors: **Michael N. Dillard**, Austin, TX (US); **Steven A. Shubin, Jr.**, Santa Fe, NM (US)
(73) Assignee: **Hidro Food Systems, LLC**, Austin, TX (US)

D78,584 S * 5/1929 Niemczyk et al. D11/164
D177,749 S * 5/1956 Oliver D6/405
D247,937 S * 5/1978 Dilyard D6/405
D250,372 S * 11/1978 Szabo D6/681.3
5,251,399 A * 10/1993 Rasmussen A01G 9/023
211/88.03
D418,996 S * 1/2000 Burner D6/403
D445,062 S * 7/2001 Wong D11/147
D456,304 S * 4/2002 Riley D11/147
D457,745 S * 5/2002 Han D6/405
9,043,962 B2 * 6/2015 Trofe A01G 9/023
2016/0100534 A1 * 4/2016 Chang A01G 27/02
206/423

(**) Term: **15 Years**

* cited by examiner

(21) Appl. No.: **29/548,092**

Primary Examiner — Elizabeth Albert

(22) Filed: **Dec. 10, 2015**

(74) *Attorney, Agent, or Firm* — Conley Rose PC.

(51) **LOC (10) Cl.** **11-02**

(57) **CLAIM**

(52) **U.S. Cl.**
USPC **D11/143**

The ornamental design for a hydroponic tower, as shown and described.

(58) **Field of Classification Search**
USPC D6/403–405, 556–558, 675, 683, 708.16, D6/708.2; D9/428, 545, 643; D11/143–156, 164; D7/701
CPC . A01G 9/00; A01G 9/02; A01G 9/028; A01G 9/04; A01G 9/042; A01G 9/045; A01G 9/10; A01G 27/005; A01G 27/006; A01G 27/02; A01G 31/00; A01G 31/001; A01G 31/02

DESCRIPTION

See application file for complete search history.

FIG. 1 is a top perspective view of a hydroponic tower showing my new design;
FIG. 2 is a first side elevation view thereof;
FIG. 3 is a second side elevation view thereof;
FIG. 4 is a back elevation view thereof;
FIG. 5 is a front elevation view thereof;
FIG. 6 is a top view thereof; and,
FIG. 7 is a bottom view thereof.

The broken lines shown in the drawings represent a portion of the hydroponic tower or features that form no part of the claimed design.

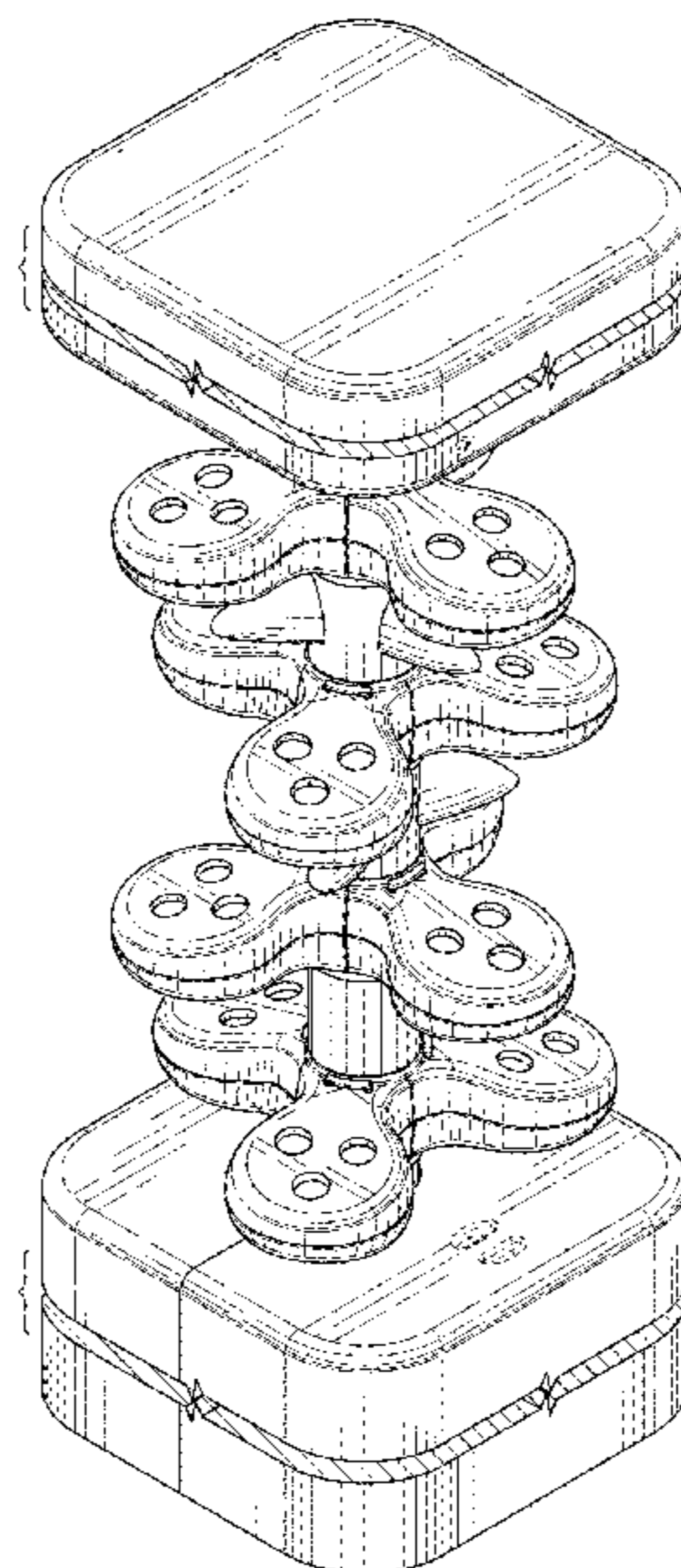
The broken away symbols in the drawings indicate the appearance of any portion of the article between the break lines forms no part of the claimed design.

(56) **References Cited**

U.S. PATENT DOCUMENTS

37,070 A * 12/1862 Crawford A47B 11/00
108/94
214,061 A * 4/1879 Stearns A47G 7/047
211/77
1,527,386 A * 2/1925 Barnard A47F 3/14
206/303

1 Claim, 6 Drawing Sheets



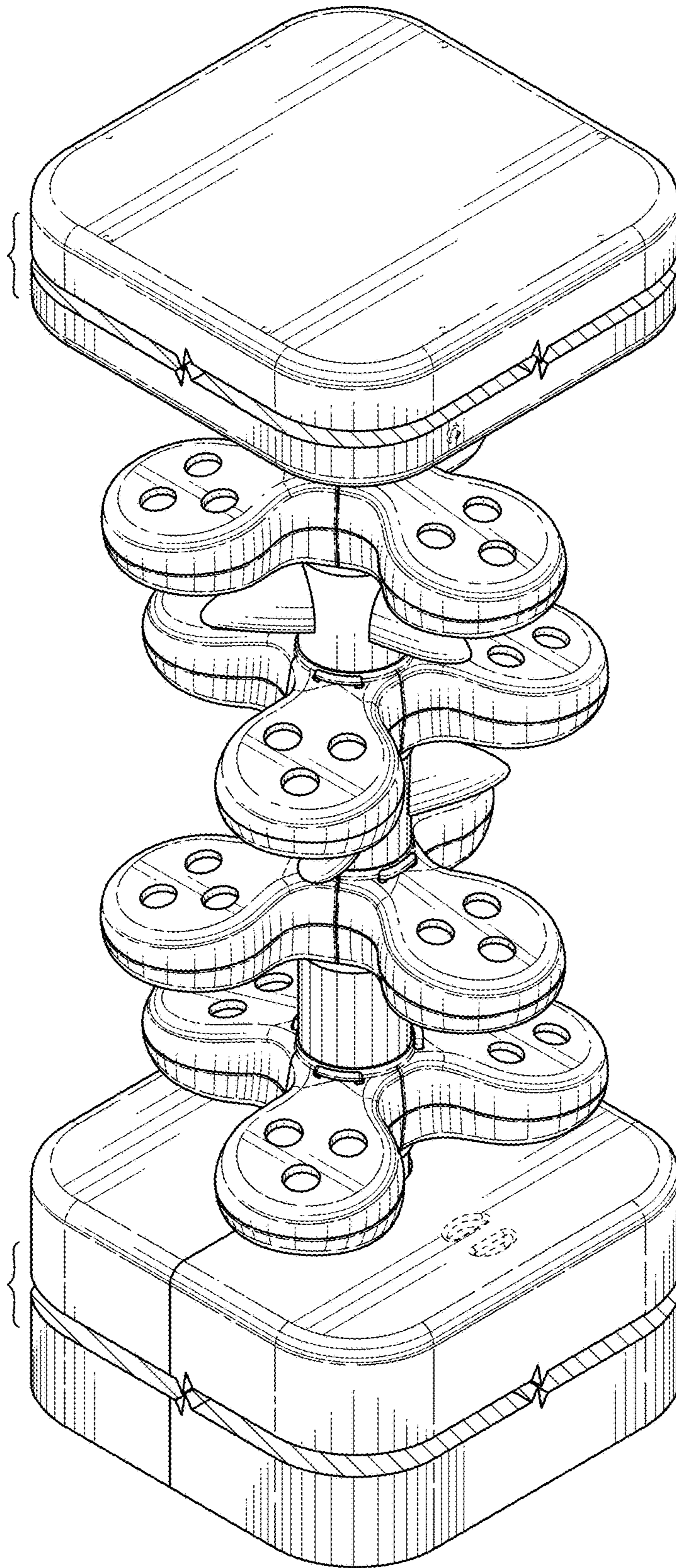


FIG. 1

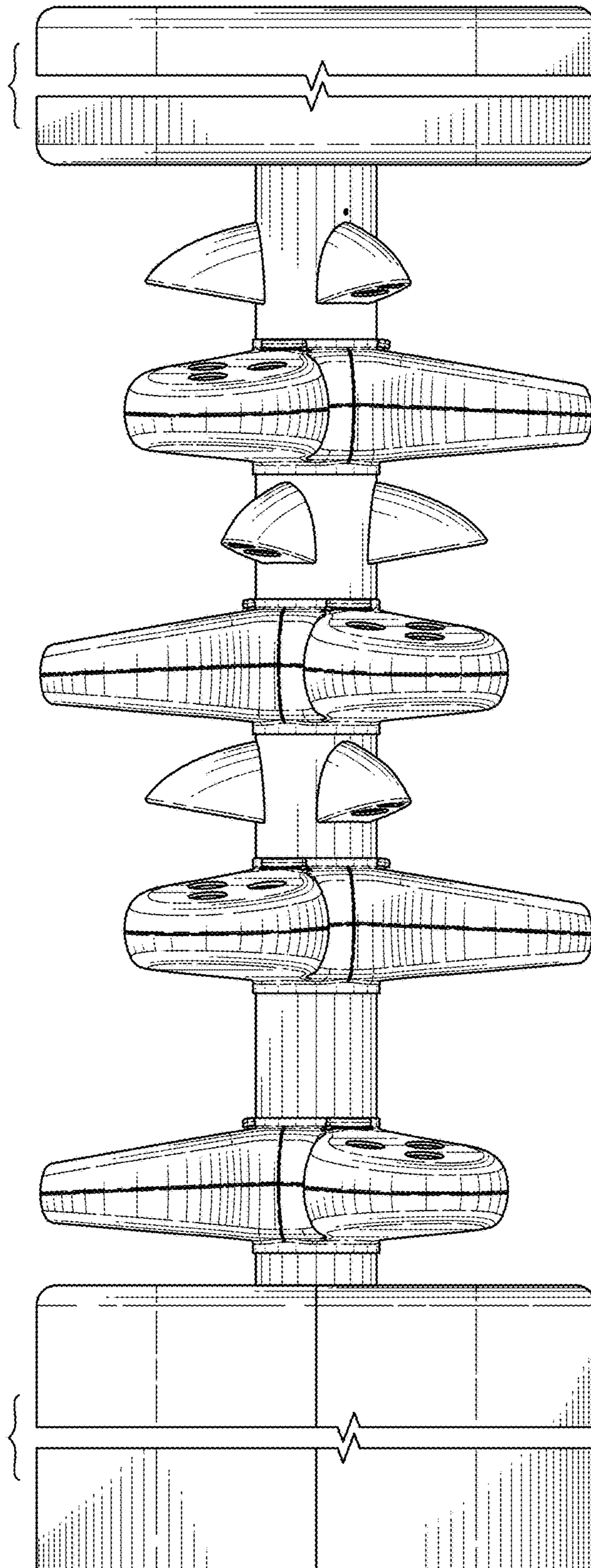


FIG. 2

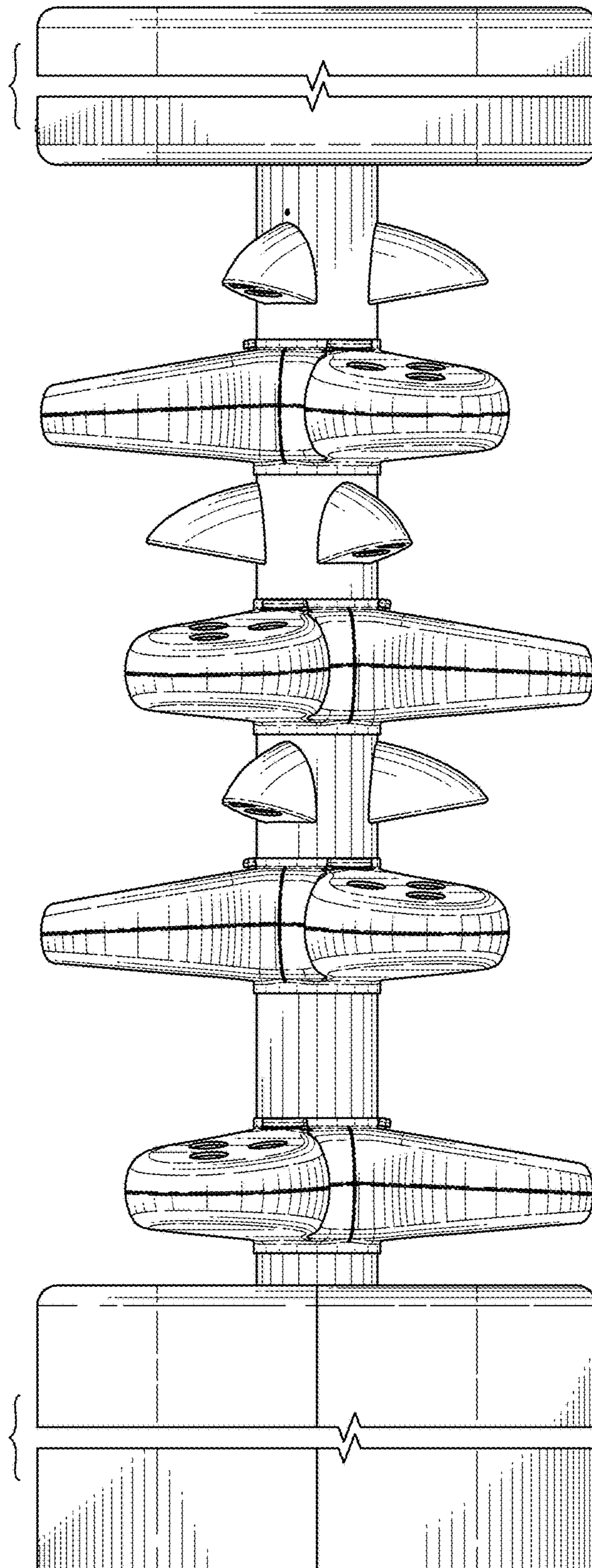


FIG. 3

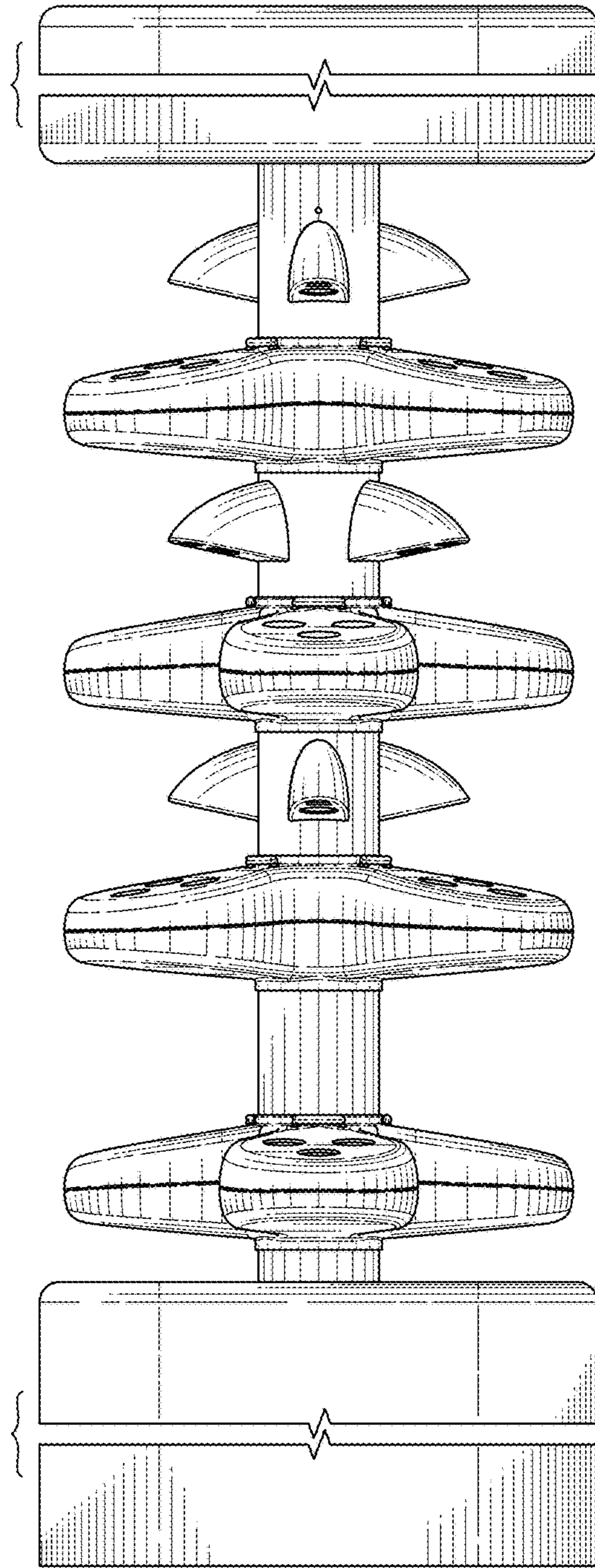


FIG. 4

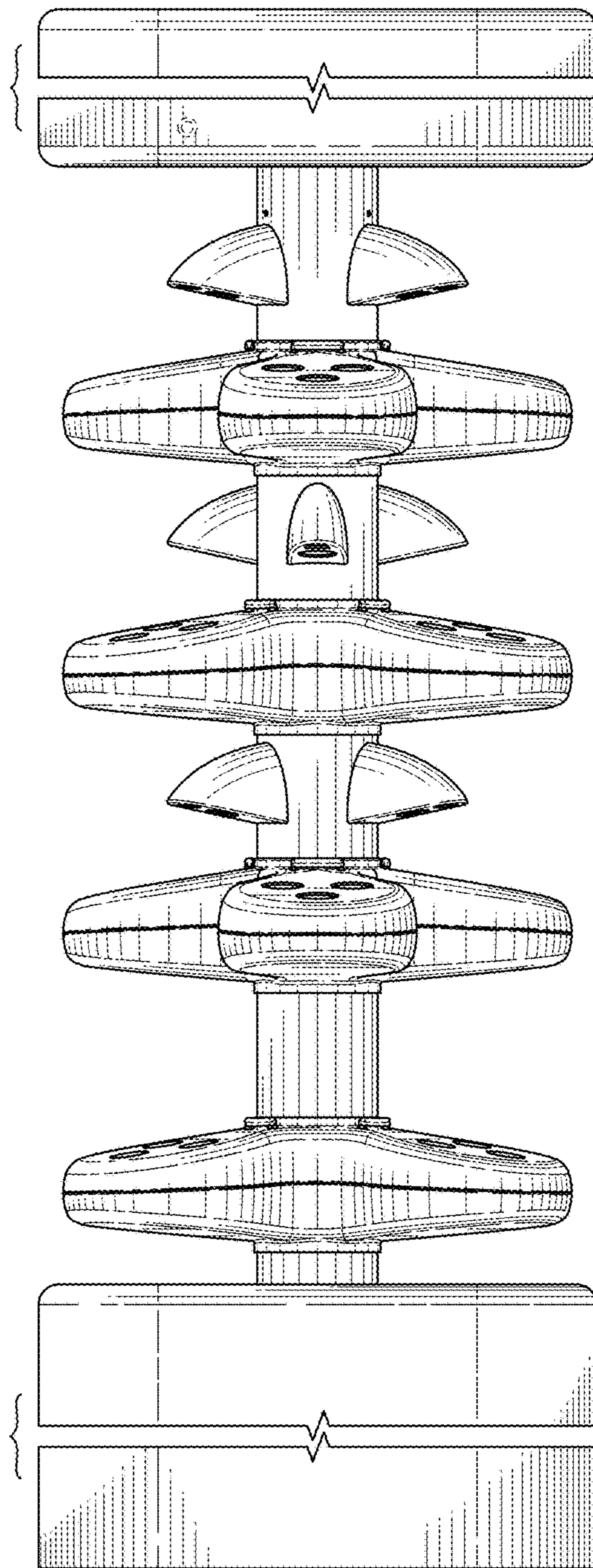


FIG. 5

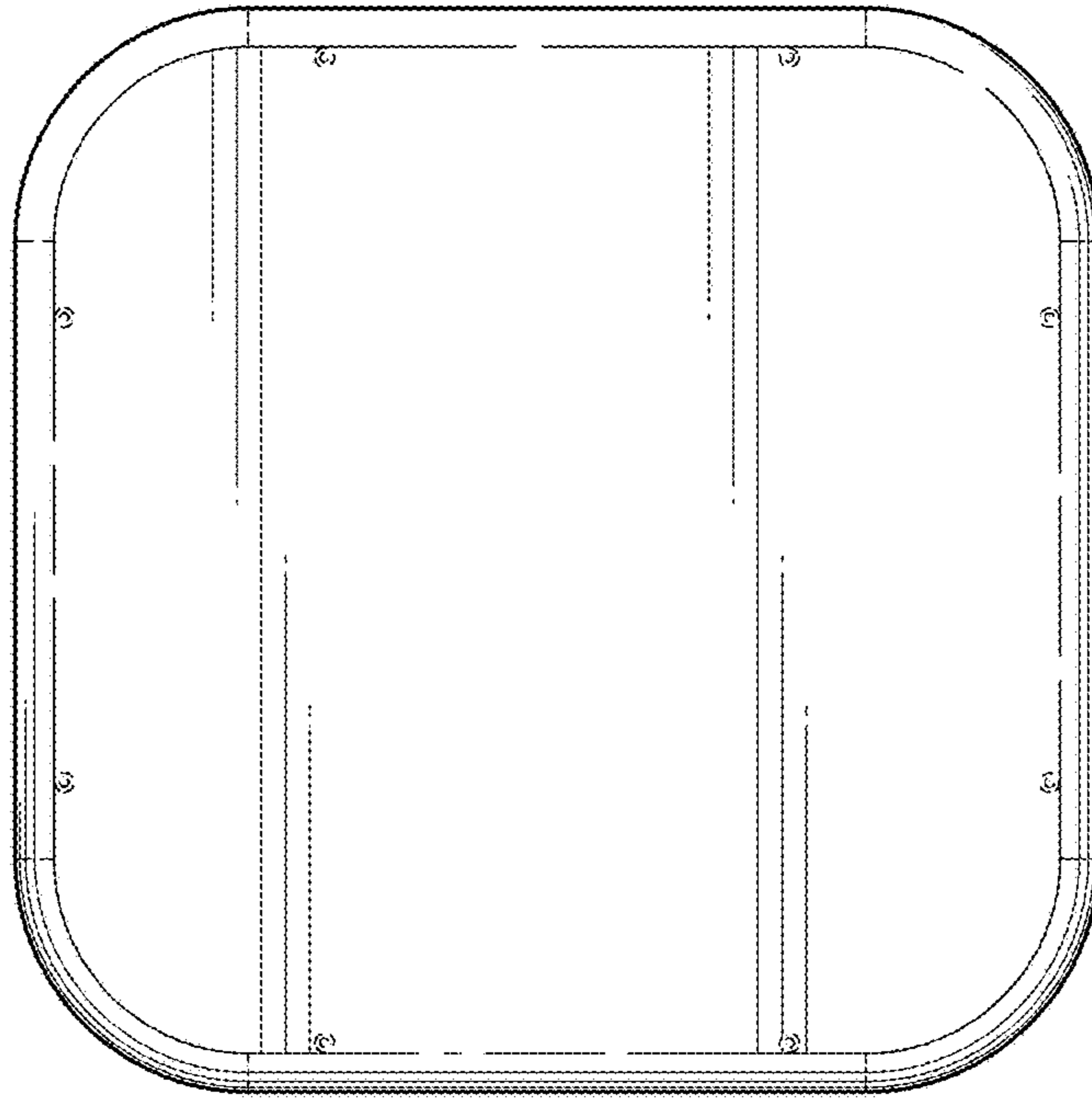


FIG. 6

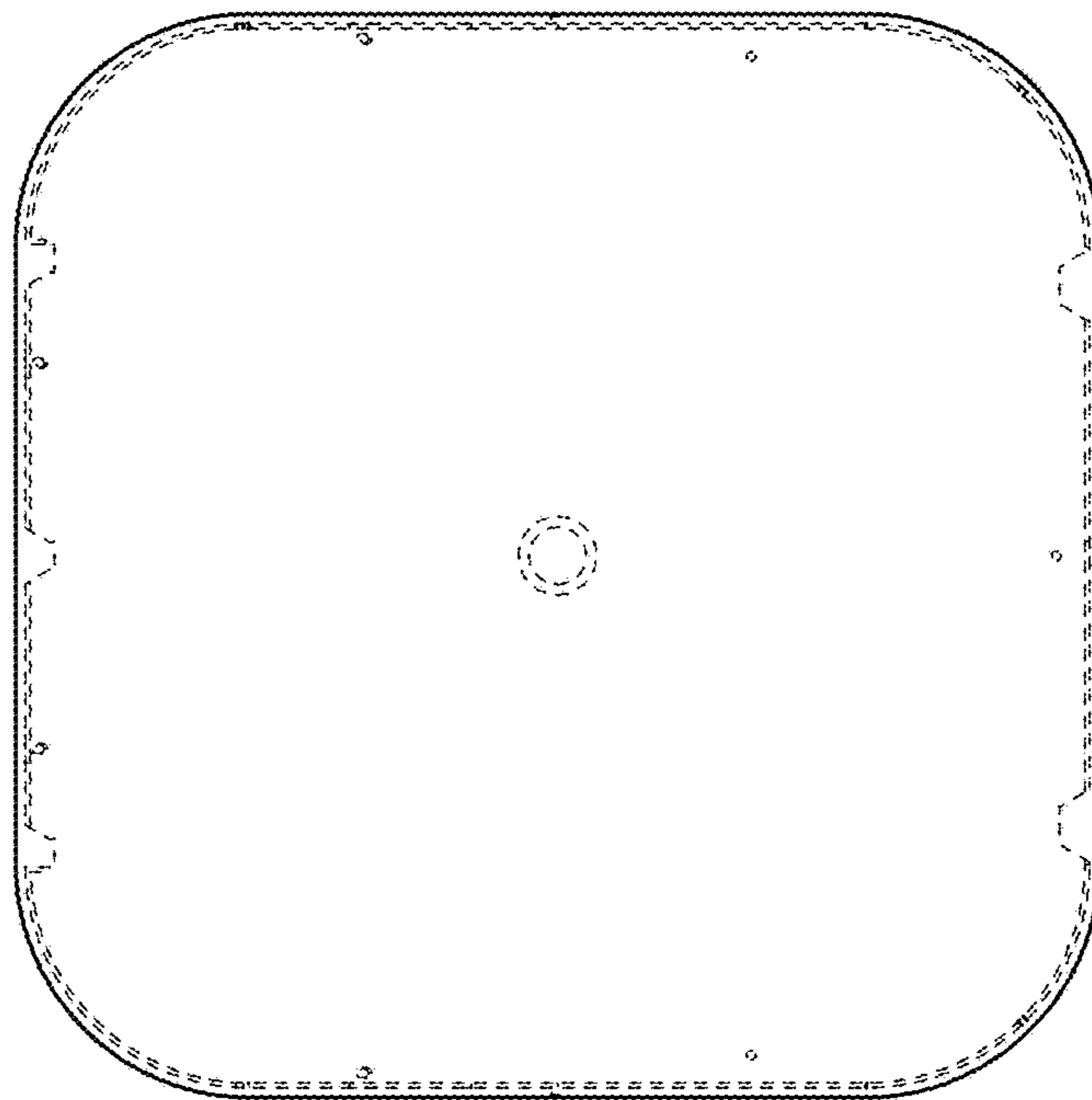


FIG. 7