



US00D795121S

(12) **United States Design Patent** (10) **Patent No.:** **US D795,121 S**
Akana et al. (45) **Date of Patent:** **** Aug. 22, 2017**

(54) **BAND**

(71) Applicant: **Apple Inc.**, Cupertino, CA (US)

(72) Inventors: **Jody Akana**, San Francisco, CA (US); **Molly Anderson**, San Francisco, CA (US); **Bartley K. Andre**, Palo Alto, CA (US); **Shota Aoyagi**, San Francisco, CA (US); **Anthony Michael Ashcroft**, San Francisco, CA (US); **Jeremy Bataillou**, San Francisco, CA (US); **Daniel J. Coster**, San Francisco, CA (US); **Daniele De Iuliis**, San Francisco, CA (US); **M. Evans Hankey**, San Francisco, CA (US); **Julian Hoenig**, San Francisco, CA (US); **Richard P. Howarth**, San Francisco, CA (US); **Jonathan P. Ive**, San Francisco, CA (US); **Duncan Robert Kerr**, San Francisco, CA (US); **Marc A. Newson**, London (GB); **Matthew Dean Rohrbach**, San Francisco, CA (US); **Peter Russell-Clarke**, San Francisco, CA (US); **Benjamin Andrew Shaffer**, San Jose, CA (US); **Mikael Silvano**, San Francisco, CA (US); **Christopher J. Stringer**, Woodside, CA (US); **Eugene Antony Whang**, San Francisco, CA (US); **Rico Zörkendörfer**, San Francisco, CA (US)

(73) Assignee: **Apple Inc.**, Cupertino, CA (US)

(**) Term: **15 Years**

(21) Appl. No.: **29/557,217**

(22) Filed: **Mar. 7, 2016**

(51) **LOC (10) Cl.** **11-01**

(52) **U.S. Cl.**
 USPC **D11/3**

(58) **Field of Classification Search**
 USPC D10/30, 31, 32, 38, 39, 46, 61, 70, 74,
 D10/80, 103, 124, 128, 131; D11/1-40,
 D11/86-94; D24/167, 186

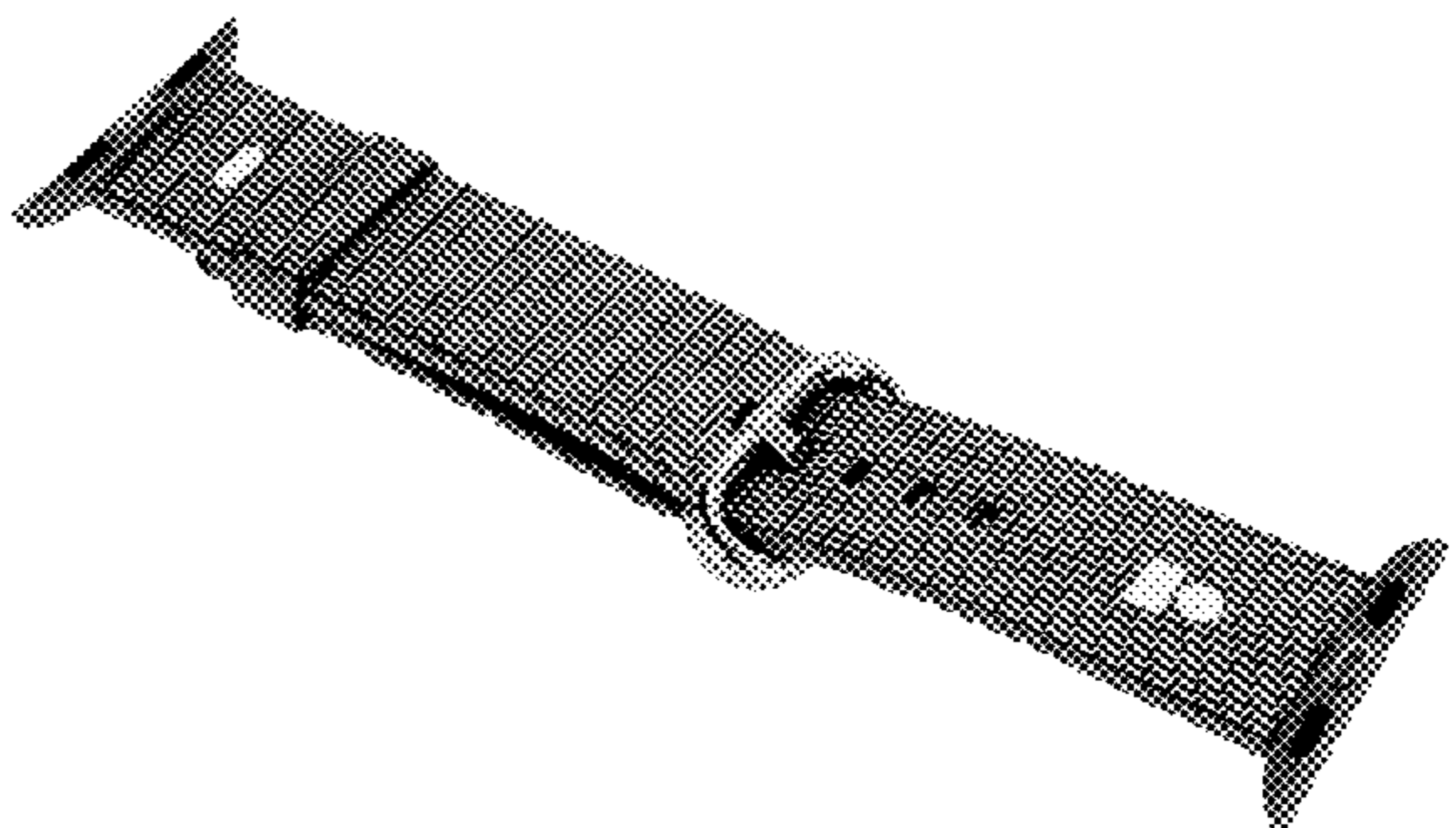
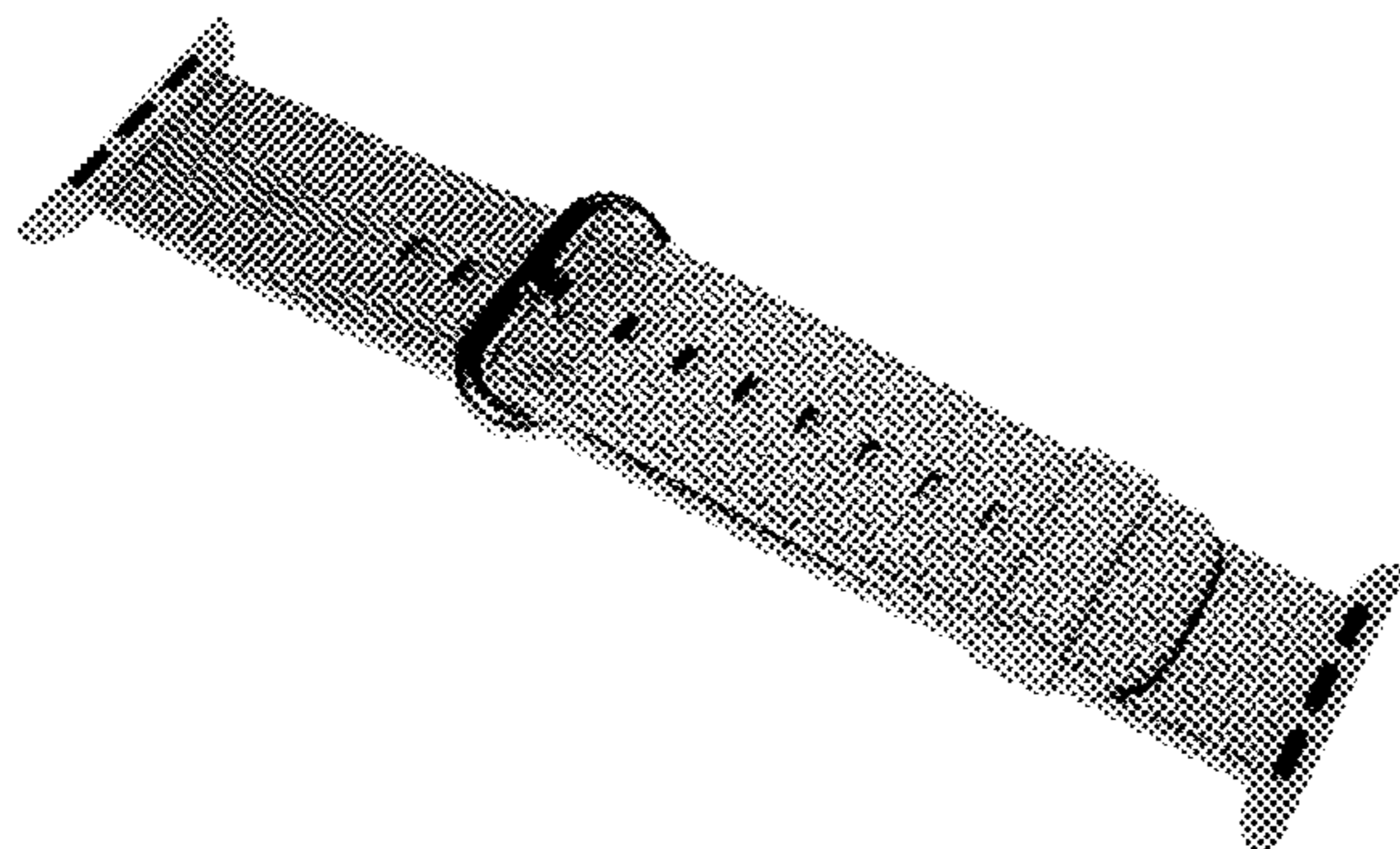
CPC A44C 5/00; A44C 5/12; A44C 5/14; A44C 5/18; A44C 5/147; A44C 5/185; A44C 5/2047; A44C 5/2052; A44C 5/0007; A44C 5/003; A44C 5/0015; A44C 5/0023; A44C 5/0053; A44C 5/0061; A44C 5/0069; A44C 5/0076; A44B 11/24; A44B 11/006; G09G 3/38; G06F 1/163; G06Q 50/24; H05K 5/0278; G06K 19/07732; Y10T 24/44043; Y10T 24/4406

See application file for complete search history.

(56) **References Cited**

U.S. PATENT DOCUMENTS

137,989	A *	4/1873	Whitney, Jr.	A44C 5/14 24/2.5
1,725,786	A	8/1929	Eklund	
1,807,440	A *	5/1931	Schraysshuen	A44C 5/0076 245/2
2,280,490	A	4/1942	Keltie	
2,397,797	A	4/1946	Curto	
2,451,750	A	10/1948	Kreisler et al.	
3,030,686	A	4/1962	Burkhardt	
3,203,067	A *	8/1965	Elsner	A44B 11/006 24/265 AL
3,204,314	A *	9/1965	Sokoloff	A44B 11/24 24/188
3,346,930	A *	10/1967	Browning	A41F 9/002 2/338
3,394,438	A *	7/1968	Nelson	A44B 11/24 24/178
3,609,963	A	10/1971	Minoru	
3,640,065	A	2/1972	Lederrey et al.	
3,665,565	A	5/1972	Kruger	
3,675,284	A	7/1972	Rieth	
3,999,251	A *	12/1976	Payant	A41F 9/002 24/188
D287,471	S	12/1986	Sato et al.	
4,627,231	A	12/1986	Kiuchi	
D303,635	S	9/1989	Kurzina et al.	
D305,743	S	1/1990	Hirsch	
D317,413	S	6/1991	Veronesi	
D320,356	S	10/1991	Boyer et al.	
D323,783	S	2/1992	Margaritelli	
D331,020	S	11/1992	Ishii et al.	
5,265,009	A	11/1993	Colavita	
D343,584	S *	1/1994	Olmes	D10/32
D350,351	S	9/1994	Nakamura	
5,363,351	A	11/1994	Carney	



US D795,121 S

5,386,933 A	2/1995	Greene et al.	D739,780 S	9/2015	Akana et al.	
5,574,701 A	11/1996	Harilela	D741,726 S	10/2015	Akana et al.	
D377,613 S	1/1997	Consolo	9,155,168 B2	10/2015	Araujo et al.	
D377,914 S	2/1997	Riley	9,171,434 B2	10/2015	Faaborg et al.	
D379,327 S	5/1997	Navera	D744,356 S	12/2015	Akana et al.	
D379,775 S	6/1997	Gazzola	D745,421 S	12/2015	Akana et al.	
D382,819 S	8/1997	Shapiro et al.	D746,707 S	1/2016	Akana et al.	
D383,985 S	9/1997	Davenport	D748,008 S	1/2016	Akana et al.	
D386,980 S	12/1997	Houlihan	D748,009 S	1/2016	Akana et al.	
5,886,669 A	3/1999	Kita	D748,010 S	1/2016	Akana et al.	
D409,504 S	5/1999	Collier	D748,527 S	2/2016	Akana et al.	
D438,812 S	3/2001	Bert	D749,009 S	2/2016	Akana et al.	
D439,172 S	3/2001	Brzezinski	D749,460 S	2/2016	Akana et al.	
D440,901 S	4/2001	Bruce et al.	D750,524 S *	3/2016	Akana	D11/3
6,219,303 B1	4/2001	Morohoshi et al.	D750,525 S *	3/2016	Akana	D11/3
D441,680 S	5/2001	Bruce et al.	D751,070 S	3/2016	Akana et al.	
6,238,083 B1	5/2001	Hirano et al.	D752,044 S	3/2016	Akana et al.	
D455,662 S	4/2002	Johnston et al.	D753,008 S *	4/2016	Akana	D11/3
D461,726 S	8/2002	Jamin	D755,070 S *	5/2016	Akana	D11/5
D473,818 S	4/2003	Salvisberg	D756,357 S	5/2016	Akana et al.	
6,655,831 B1	12/2003	Ruffieux	D758,363 S	6/2016	Akana et al.	
D494,098 S	8/2004	Cohen	D759,011 S	6/2016	Akana et al.	
D496,589 S	9/2004	Perrenoud	D759,725 S	6/2016	Akana et al.	
6,801,476 B2	10/2004	Gilmour	D764,340 S	8/2016	Akana et al.	
6,970,157 B2	11/2005	Siddeeq	D764,341 S *	8/2016	Akana	D11/3
D513,195 S	12/2005	Gruosi	D768,025 S *	10/2016	Akana	D11/3
7,004,469 B2	2/2006	Von Goeben	D768,030 S *	10/2016	Akana	D11/231
D528,439 S	9/2006	Burton	D771,036 S *	11/2016	Akana	D14/344
D528,928 S	9/2006	Burton	D777,163 S *	1/2017	Akana	D14/344
7,106,197 B2	9/2006	Gaiotto et al.	D777,590 S *	1/2017	Nielsen	D10/39
D535,205 S	1/2007	Frederick et al.	D784,831 S *	4/2017	Akana	D10/38
7,275,667 B2	10/2007	Bertucci	D786,127 S *	5/2017	Akana	D11/94
D558,227 S	12/2007	Cho et al.	2001/0017663 A1	8/2001	Yamaguchi et al.	
D564,904 S	3/2008	Leung	2002/0051075 A1	5/2002	Yamaguchi et al.	
D572,266 S	7/2008	Anderson et al.	2007/0070823 A1	3/2007	Sima	
D574,735 S	8/2008	Landman et al.	2009/0056084 A1*	3/2009	Chang	A44B 11/24 24/178
D578,922 S	10/2008	Hoshino				
D584,170 S	1/2009	Morrison	2010/0061191 A1	3/2010	Chen	
D586,823 S	2/2009	Anderson et al.	2011/0197400 A1	8/2011	Chevrolet	
D589,375 S	3/2009	Tang	2014/0096345 A1	4/2014	Tschumi	
D596,610 S	7/2009	Hou	2014/0098649 A1	4/2014	Tschumi	
D599,680 S *	9/2009	Schoepfer				D10/32
D612,748 S *	3/2010	Jorst				D10/32
D616,417 S	5/2010	Liao				
7,708,457 B2	5/2010	Girardin et al.				
D622,164 S	8/2010	Mikkelsen	DE 19513647 A1	10/1995		
D631,373 S	1/2011	Mikkelsen	DE 10229050 C1	6/2003		
D637,094 S	5/2011	Cobbett et al.	EP 1098231 A1	5/2001		
D637,918 S	5/2011	Cobbett et al.	EP 001109706-0025	5/2009		
D643,772 S	8/2011	Mikkelsen	EP 2636328 A1	9/2013		
D650,706 S	12/2011	Zanella et al.	ES 001359301-0002	6/2013		
D666,503 S	9/2012	Bulgari	GB 618917 A	3/1949		
D681,483 S	5/2013	Biegert et al.	GB 1056574	8/1989		
8,601,784 B2	12/2013	Kaltenrieder	GB 2047767	9/1995		
8,613,544 B2	12/2013	Kitahara et al.	GB 2049316	12/1995		
D699,701 S	2/2014	Kim	GB 2082277	6/1999		
8,647,268 B2	2/2014	Tran	HK 0501949.8	12/2005		
8,766,805 B2	7/2014	Alameh et al.	HK 1001605.7	12/2010		
D715,674 S	10/2014	Squires	JP D1126907	11/2001		
D719,467 S	12/2014	Bradbury	JP D1337795	8/2008		
D720,249 S	12/2014	Park et al.	JP D1423962	9/2011		
8,960,510 B2	2/2015	Bertucci	JP D1433115	2/2012		
D724,469 S	3/2015	Akana et al.	JP D1448029	8/2012		
D726,056 S *	4/2015	Riddiford	JP D1462747	2/2013		D11/3
D727,197 S	4/2015	Akana et al.	WO WO-DM/012262-001	1/1989		
D727,198 S	4/2015	Akana et al.	WO WO-DM/049450-002	12/1999		
D727,199 S	4/2015	Akana et al.	WO WO-DM/066491-004	3/2005		
D727,759 S *	4/2015	Martinez	WO WO-DM072215	9/2009		D10/70
D728,624 S	5/2015	Akana et al.	WO WO-DM/077452-004	6/2011		
D730,209 S	5/2015	Wolos et al.	WO WO-DM/079044-003	9/2012		
D731,346 S	6/2015	Akana et al.	WO WO-2013182397 A1	12/2013		
D732,022 S	6/2015	Song	WO WO-2014135709 A2	9/2014		
9,060,683 B2	6/2015	Tran				
D734,330 S	7/2015	Huang et al.				
D737,156 S	8/2015	Akana et al.				
D737,157 S	8/2015	Akana et al.				
D737,158 S	8/2015	Akana et al.				
D737,159 S	8/2015	Akana et al.				
D738,971 S *	9/2015	Riddiford				D21/694

FOREIGN PATENT DOCUMENTS

DE	19513647	A1	10/1995
DE	10229050	C1	6/2003
EP	1098231	A1	5/2001
EP	001109706-0025		5/2009
EP	2636328	A1	9/2013
ES	001359301-0002		6/2013
GB	618917	A	3/1949
GB	1056574		8/1989
GB	2047767		9/1995
GB	2049316		12/1995
GB	2082277		6/1999
HK	0501949.8		12/2005
HK	1001605.7		12/2010
JP	D1126907		11/2001
JP	D1337795		8/2008
JP	D1423962		9/2011
JP	D1433115		2/2012
JP	D1448029		8/2012
JP	D1462747		2/2013
WO	WO-DM/012262-001		1/1989
WO	WO-DM/049450-002		12/1999
WO	WO-DM/066491-004		3/2005
WO	WO-DM072215		9/2009
WO	WO-DM/077452-004		6/2011
WO	WO-DM/079044-003		9/2012
WO	WO-2013182397	A1	12/2013
WO	WO-2014135709	A2	9/2014

OTHER PUBLICATIONS

Apple's new Woven Nylon band (available online Mar. 23, 2016)
Retrieved from the internet Feb. 24, 2016, retrieved from the
internet URL: <https://9to5mac.com/2016/03/23/hands-on-apples-new-woven-nylon-band-fo-ripple-watch-gallery/>.*

Alvarez, Edgar, “Basis Peak to get its smartwatch-like features in December,” engadget.com, <<http://www.engadget.com/2014/11/20/basis-peak-new-features/>>, dated Nov. 20, 2014, accessed Dec. 15, 2014.

Cool Material, “Braun Square Digital Watch,” <<http://web.archive.org/web/20111125033014/http://coolmaterial.com/style/braun-square-digital-watch/>>, dated Nov. 25, 2011, accessed Dec. 18, 2014.

Emily, “Nixon—The Newton Digital,” <<http://www.freshnessmag.com/2009/09/08/nixon-the-newton-digital/>>, freshnessmag.com, dated Sep. 8, 2009, accessed Oct. 9, 2014.

Etsy.com, “1 Set Silver End Cap Clasp—Findings Large Toggle Clasp End Caps Buckle Connector with Five Inside Loops for Jewelry Making 26mm,” <<http://www.etsy.com/listing/101269004/1-set-silver-end-cap-clasp-findings?ref=market>>, Listed on Aug. 29, 2014, accessed Oct. 9, 2014.

“Field Ops Watch Band Kit” <<http://www.511tactical.com/field-ops-watch-band-kit.html>>, accessed Nov. 25, 2014.

Fitbit, “Fitbit Surge™ Fitness Super Watch” <<https://www.fitbit.com/surge>>, accessed Dec. 15, 2014.

Geekbuying.com, “Makibes unisex red led digital wrist watch with square case silicone watchband—white,” <<http://www.geekbuying.com/item/Unisex-Red-LED-Digital-Wrist-Watch-with-Square-Case-Silicone-Watchband--White-326443.html>>, accessed Oct. 9, 2014.

Hiemstra, Graham, “Worn & Wound Model 1 Horween Watch Strap,” <<http://www.coolhunting.com/style/worn-wound-model-1-horween-watch-strap>>, dated Aug. 27, 2013, accessed Nov. 25, 2014.

Hilbourne, Jason, “Wide Body: straps for Pebble,” <<https://www.kickstarter.com/projects/1171859847/wide-body-straps-for-pebble>>, Listed Apr. 2, 2013, accessed Nov. 25, 2014.

Hodinkee.com, “Apple iPod Nano Now Available With Mickey Mouse Dial, Also Cheesy, Mechanically Inaccurate Open-Worked Dial,” <<http://web.archive.org/web/20111006043916/http://www.hodinkee.com/blog/2011/10/5/apple-ipod-nano-now-available-with-mickey-mouse-dial-also-ch.html>>, dated Oct. 6, 2011, accessed Dec. 18, 2014.

Homego, “M6 Silver Smart Watch Cell Phone 1.54 inch Bluetooth 3.0 Dialer Outdoor Sports Pedometer,” amazon.com, <<http://www.amazon.com/Silver-Bluetooth-Dialer-Outdoor-Pedometer/dp/B00MQTBGK6>>, accessed Dec. 15, 2014.

Ikepod, “Original Ikepod Watch With GMT—Marc Newson Design,” Watchbox.be, <<http://www.watchbox.be/prod/Others-Watches/Marc%20Newson%20Design/item7165.htm#VJLm2fAo5D8>>, accessed Dec. 17, 2014.

LG Life’s Good, “LG G Watch (W100),” <<http://www.lg.com/us/smart-watches/lg-W100-g-watch>>, accessed Dec. 18, 2014.

Metawatch, “Frame—Black (MW3005),” <<http://meta.watch/collections/smartwatch-all/products/frame-ss-black-leather>>, accessed Dec. 15, 2014.

Omate, “Omate TrueSmart: Water-resistant standalone Smartwatch 2.0,” <<http://www.kickstarter.com/projects/omate/omate-truesmart-water-resistant-standalone-smartwa>>, dated Aug. 21, 2013, accessed Oct. 8, 2014.

[Online] http://a.abcnews.com/images/Business/HT_gold_apple_iwatch_jef_140909_4x3_992.jpg, Retrieved on Feb. 4, 2015, 1 page.

Pebble, “Pebble Smartwatch,” getpebble.com, <<https://getpebble.com/checkout>>, accessed Dec. 15, 2014.

Samsung, “Samsung Gear™ 2 Charcoal Black SM-R3800VSAXAR,” <<http://www.samsung.com/us/mobile/wearable-tech/SM-R3800VSAXAR>>, accessed Dec. 15, 2014.

Samsung, “Samsung Gear S™, (Sprint), Black SM-R750PZKASPR,” <<http://www.samsung.com/us/mobile/wearable-tech/SM-R750PZKASPR>>, accessed Dec. 15, 2014.

Samsung, “Galaxy Gear™ Live, Black SM-R3820ZKAXAR,” <<http://www.samsung.com/us/mobile/wearable-tech/SM-R3820ZKAXAR>>, accessed Dec. 15, 2014.

Sony, “SmartWatch 3 SWR50,” <<http://www.sonymobile.com/us/products/smartwear/smartwatch-3-swr50/>>, accessed Dec. 15, 2014.

Sony, “SmartWatch,” <<http://www.sonymobile.com/us/products/accessories/smartwatch/>>, accessed Dec. 15, 2014.

Stables, James, “Clevercare smartwatch aims to help Alzheimer’s suffers and carers: Revamped Sony SmartWatch 2 designed for users that need care,” Wearable News, <<http://www.wearable.com/wearable-tech/clevercare-smartwatch-aims-to-help-alzheimers-suffers-and-carers-585>>, dated Dec. 15, 2014.

Ted Baker, “Ted Baker Men’s TE1054 Time Flies Contemporary Square Digital Case Watch,” <<http://www.amazon.com/Ted-Baker-TE1054-Contemporary-Digital/dp/B0045CRTYO%3FSubscriptionId%3DAKIAJ3U4YRIBWCGGKZ2A%26tag%3D-frases365-20%26linkCode%3Dsp1%26camp-%3D2025%26creative%3D165953%26creativeASIN-%3DB0045CRTYO>>, accessed Oct. 9, 2014.

“Timex Men’s Q7B808 Ironman Triathlon 30-Lap Resin 16mm Replacement Watchband” <http://www.amazon.com/Timex-Ironman-Triathlon-Replacement-Watchband/dp/B003OPZ5D0/ref=sr_1_1?s=apparel&ie=UTF8&qid=1416701895&sr=1-1&keywords=Timex+Men%27s+Q7B808+Ironman+Triathlon+-Lap+Resin+16mm+Replacement+Watchband>, accessed Nov. 25, 2014.

Velazco, Chris, “ASUS ZenWatch review: subtle and stylish, with a few shortcomings,” Engadget.com, <<http://www.engadget.com/2014/12/11/asus-zenwatch-review/>>, dated Dec. 11, 2014, accessed Dec. 15, 2014.

WatchCat Online Shopping Mall, “PJS Seiko,” <http://m.watchcat.co.kr/board/product/read.html?board_no=4&no=27504>, dated Oct. 26, 2012, accessed Oct. 8, 2015.

WatchCat Online Shopping Mall, “PVD Zulu style Military Nylon band/strap,” <http://www.watchcat.kr/product/detail.html?product_no=5162&cate_no=642&display_group=1>, dated 2010, accessed Oct. 8, 2015.

Watches Infoniac.com, “Hermes Carre H Watch—Extremely Contemporary Design,” <<http://watches.infoniac.com/carre-h-watch-hermes.html>>, dated Aug. 13, 2010, accessed Dec. 18, 2014.

Watchismo, “Braun BN0042 Black Date Leather,” <<http://web.archive.org/web/20130815073830/http://www.watchismo.com/braun-bn0042bkbk.aspx>>, dated Aug. 15, 2013, accessed Dec. 18, 2014.

U.S. Appl. No. 29/499,071, filed Aug. 11, 2014; Akana et al.

U.S. Appl. No. 29/499,075, filed Aug. 11, 2014; Akana et al.

U.S. Appl. No. 29/499,081, filed Aug. 11, 2014; Akana et al.

U.S. Appl. No. 29/499,082, filed Aug. 11, 2014; Akana et al.

U.S. Appl. No. 29/499,090, filed Aug. 11, 2014; Akana et al.

U.S. Appl. No. 29/501,624, filed Sep. 5, 2014; Akana et al.

U.S. Appl. No. 29/501,772, filed Sep. 8, 2014; Akana et al.

U.S. Appl. No. 29/557,214, filed Mar. 7, 2016; Akana et al.

U.S. Appl. No. 29/557,215, filed Mar. 7, 2016; Akana et al.

U.S. Appl. No. 29/557,219, filed Mar. 7, 2016; Akana et al.

Free Silicone Band, Inteny Apple Watch Band Series 1 Series 2 Colorful Pattern Woven Nylon Band Replacement Wrist Bracelet Strap Buckle for iWatch, 38mm, Toasted Coffee & Caramel, posted unknown, [retrieved Oct. 27, 2016]. Retrieved from Internet, <URL: <https://www.amazon.com/dp/B01LXBIO6M?psc=1>>.

Top Brand Luxury Style Daniel Wellington Watches DW Watch for Men Nylon Strap Military Quartz Wristwatch Clock Reloj hombre 40mm, posted unknown, [retrieved Oct. 27, 2016]. Retrieved from Internet, <URL: <http://www.dhgate.com/product/topbrand-luxury-style-daniel-wellington/239253633.html>>.

* cited by examiner

Primary Examiner — Garth Rademaker

Assistant Examiner — Richard Kearney

(74) *Attorney, Agent, or Firm* — Sterne, Kessler, Goldstein & Fox P.L.L.C.

(57)

CLAIM

The ornamental design for a band, as shown and described.

DESCRIPTION

FIG. 1 is a front perspective view of a band showing the claimed design;

FIG. 2 is a rear perspective view thereof;
FIG. 3 is a front view thereof;
FIG. 4 is a rear view thereof;
FIG. 5 is a front left side perspective view thereof;
FIG. 6 is a front right side perspective view thereof;
FIG. 7 is a top front perspective view thereof;
FIG. 8 is a rear left side perspective view thereof;
FIG. 9 is a rear right side perspective view thereof;
FIG. 10 is a front perspective view showing the band in an alternate position; and,
FIG. 11 is a rear perspective view thereof showing the band in an alternate position.
The dot-dash lines in the figures and the areas within the dot-dash lines show portions of the band that form no part of the claimed design.

1 Claim, 6 Drawing Sheets



FIG. 1



FIG. 2

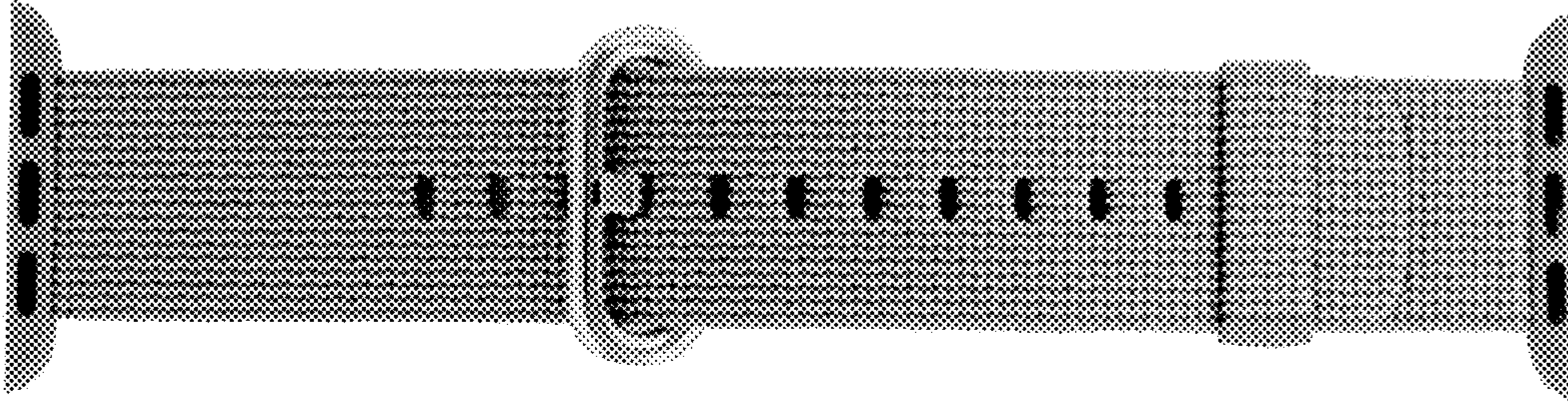


FIG. 3

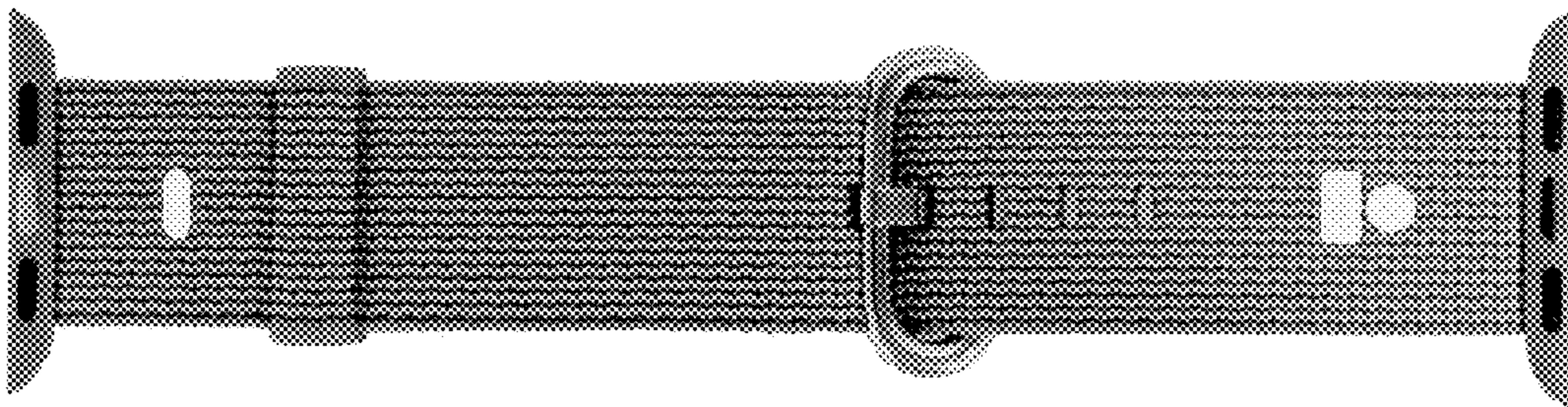


FIG. 4

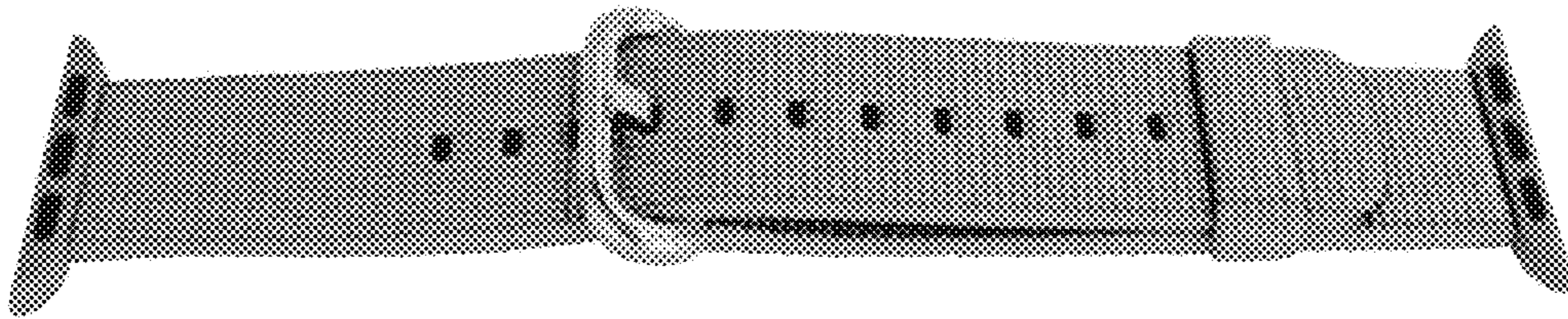


FIG. 5

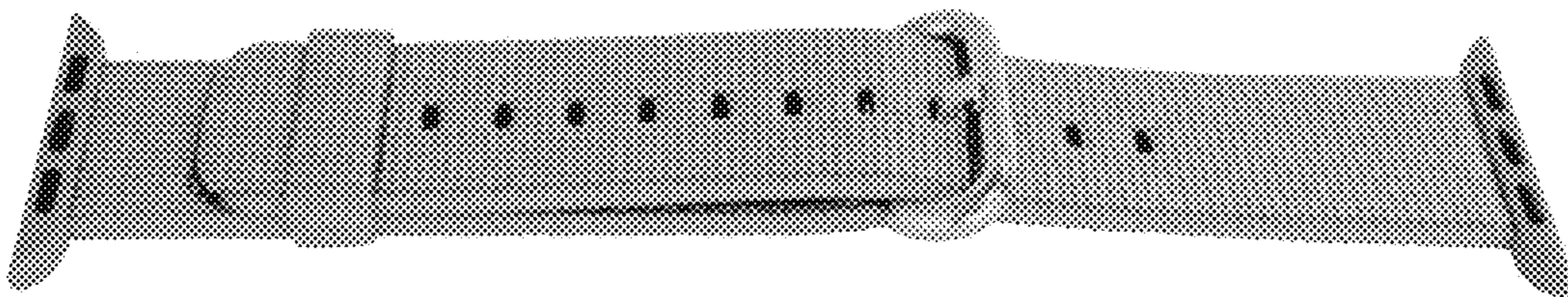


FIG. 6



FIG. 7

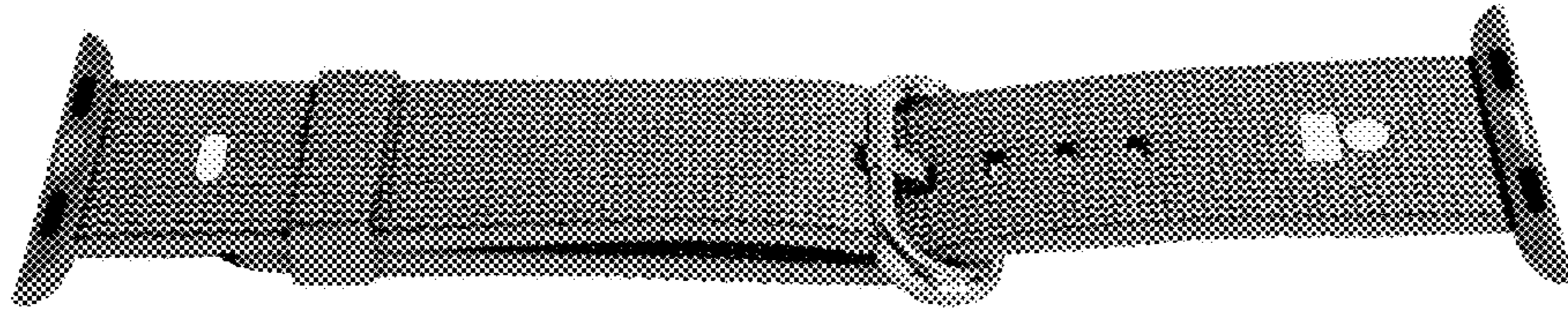


FIG. 8

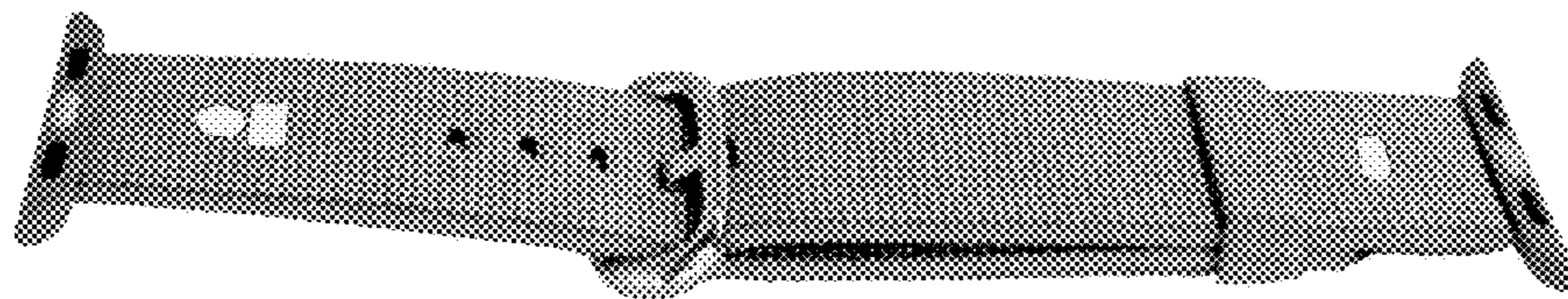


FIG. 9

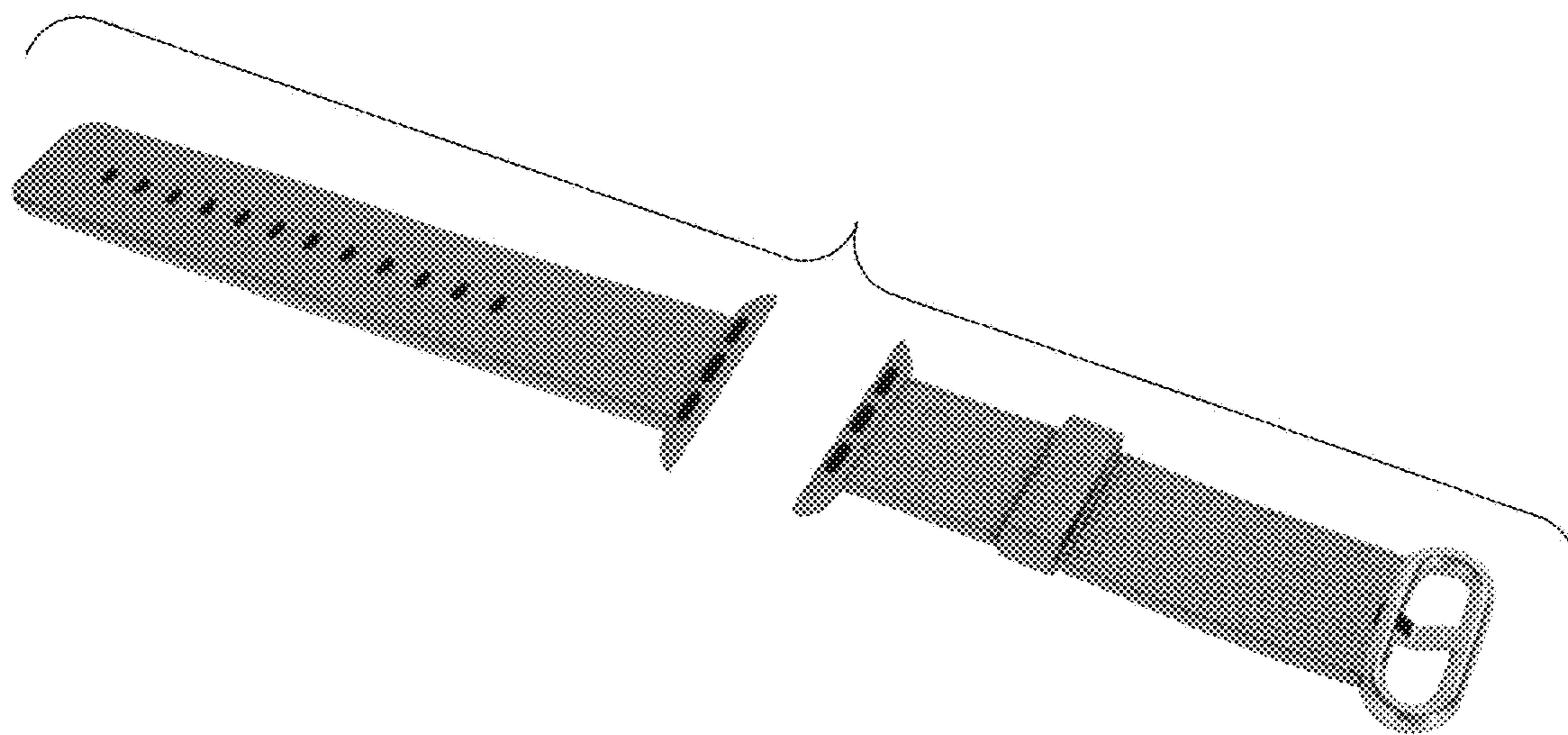


FIG. 10

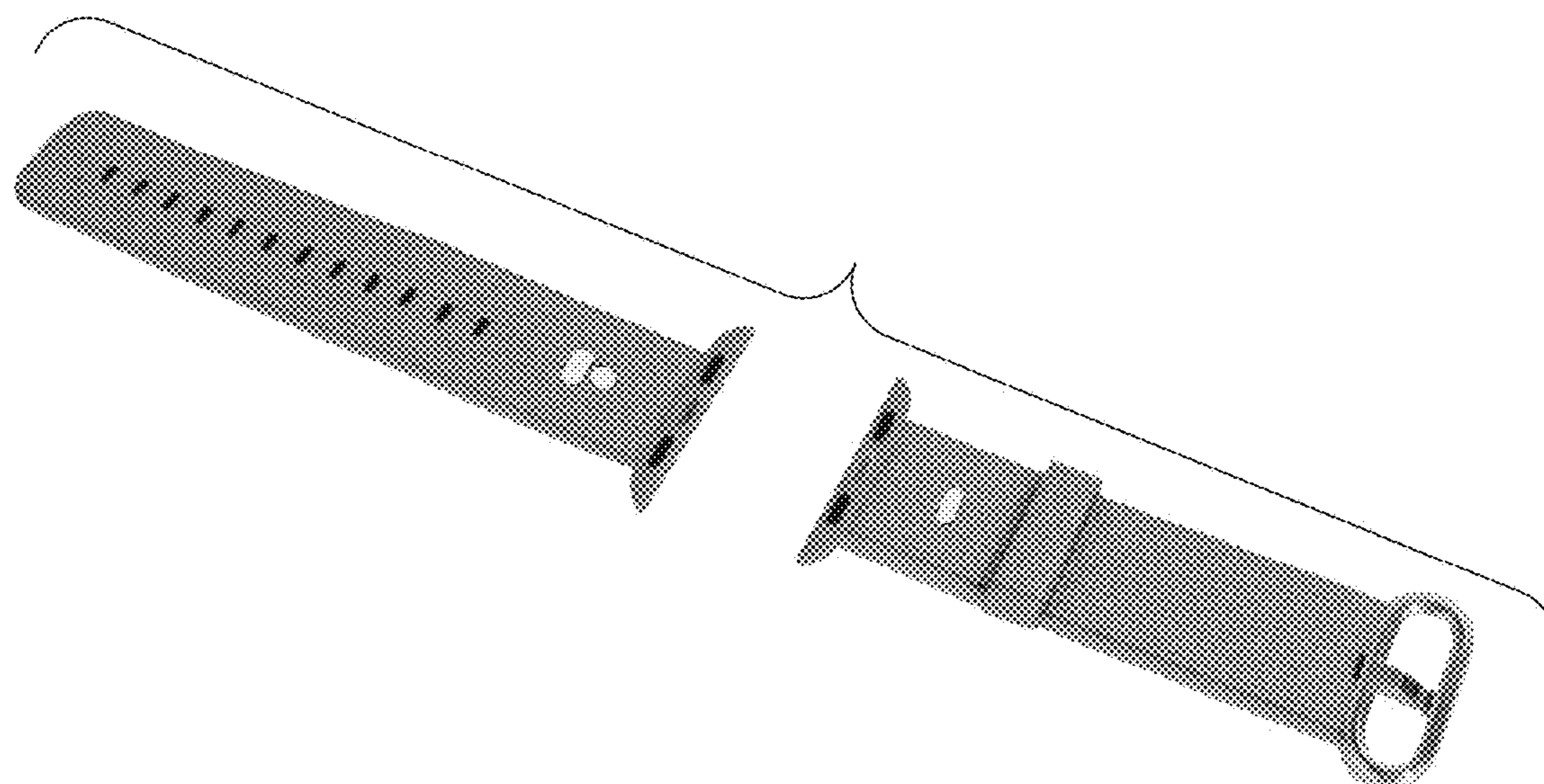


FIG. 11