



US00D795120S

(12) **United States Design Patent** (10) **Patent No.:** **US D795,120 S**
Bayley et al. (45) **Date of Patent:** **** Aug. 22, 2017**

(54) **FITNESS WATCH STRAP**
(71) Applicant: **TomTom International B.V.**,
Amsterdam (NL)
(72) Inventors: **Stephen Bayley**, London (GB); **Martin Riddiford**, London (GB); **Jonathan Chan**, London (GB)
(73) Assignee: **TomTom International B.V.**,
Amsterdam (NL)

D667,126 S * 9/2012 Cho D24/186
D720,074 S * 12/2014 Suvilaakso D24/167
D726,056 S * 4/2015 Riddiford D11/3
D734,331 S * 7/2015 Wu D14/344
D752,579 S * 3/2016 Lee D14/344
D756,832 S * 5/2016 Riddiford D11/3
D758,234 S * 6/2016 Riddiford D11/3
D768,858 S * 10/2016 Komulainen D24/167
D769,935 S * 10/2016 Hall D14/489
9,501,044 B2 * 11/2016 Jackson G04G 9/007
2015/0272458 A1 * 10/2015 Magniez A61B 5/02438
600/479

(**) Term: **15 Years**

(21) Appl. No.: **29/556,788**

(22) Filed: **Mar. 3, 2016**

(30) **Foreign Application Priority Data**

Sep. 3, 2015 (EM) 002765933

(51) **LOC (10) Cl.** **11-01**

(52) **U.S. Cl.**
USPC **D11/3**

(58) **Field of Classification Search**
USPC D10/30-32, 38, 39, 46, 70, 128;
D11/1-25; D14/344; D24/167, 184
CPC A44C 5/00; A44C 5/12; A44C 5/14; A44C
5/18; A44C 5/147; A44C 5/185; A44C
5/2047; A44C 5/2052; A44C 5/0007;
A44C 5/003; A44C 5/0015; A44C
5/0023; A44C 5/0053; A44C 5/0061;
A44C 5/0069; A44C 5/0076; A44B
11/24; A44B 11/006

See application file for complete search history.

(56) **References Cited**

U.S. PATENT DOCUMENTS

D596,510 S * 7/2009 Register D10/38
D638,736 S * 5/2011 Cobbett D11/3

OTHER PUBLICATIONS

TomTom Watch (available online Sep. 5, 2015) Retrieved from the internet Jan. 4, 2017, retrieved from the internet URL: www.tomtom.com/en_us/sports/fitness-watches/.*

* cited by examiner

Primary Examiner — Cathron Brooks
Assistant Examiner — Richard Kearney

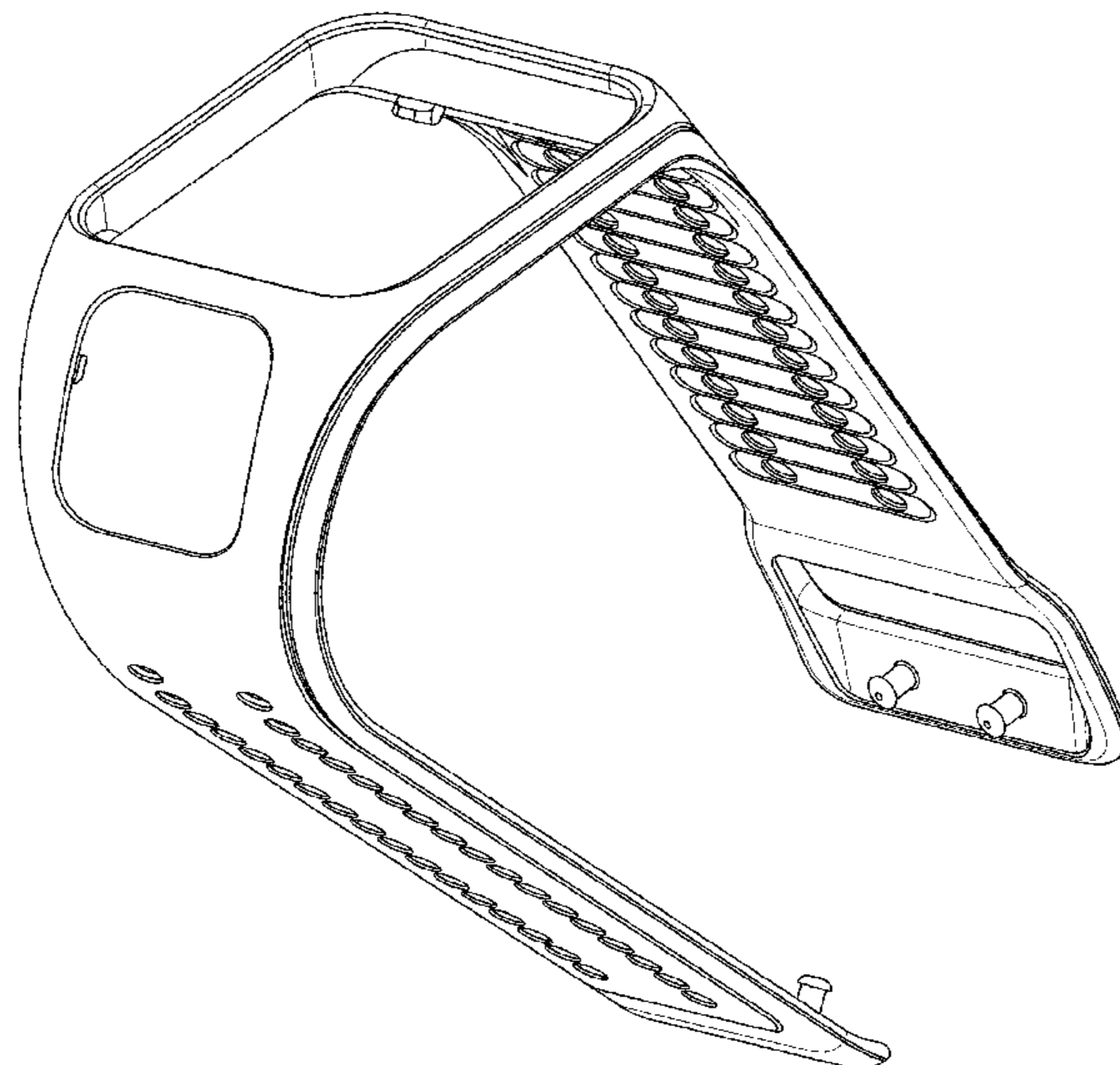
(57) **CLAIM**

The ornamental design for a fitness watch strap, as shown and described.

DESCRIPTION

FIG. 1 is a front perspective view of a fitness watch strap according to the present design.
FIG. 2 is a rear perspective view thereof;
FIG. 3 is a front elevation view thereof;
FIG. 4 is a rear elevation view thereof;
FIG. 5 is a top plan view thereof;
FIG. 6 is a bottom plan view thereof; and,
FIG. 7 is a right side elevation view thereof; the left side elevation view being a mirror image thereof.

1 Claim, 7 Drawing Sheets



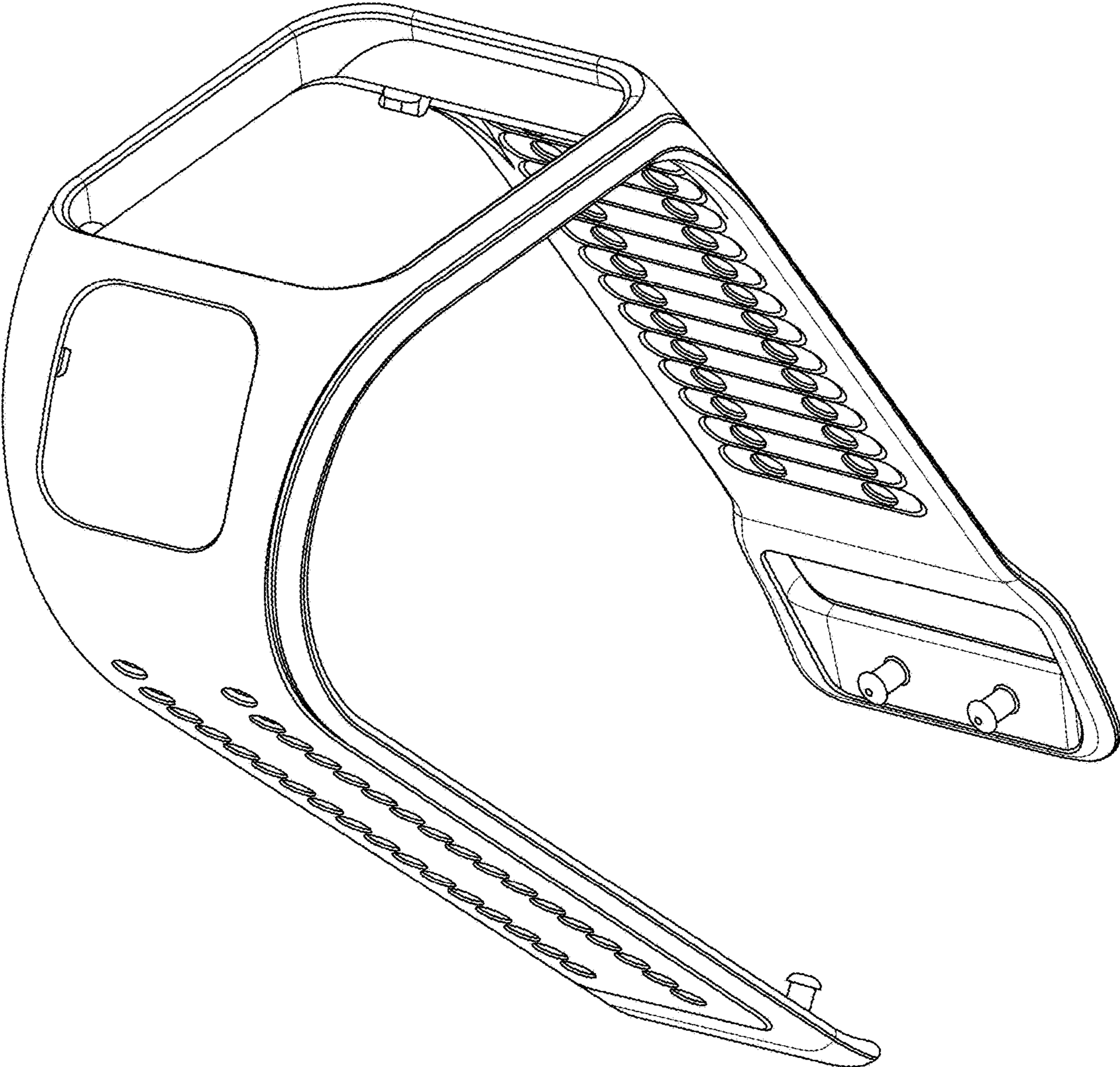


FIG. 1

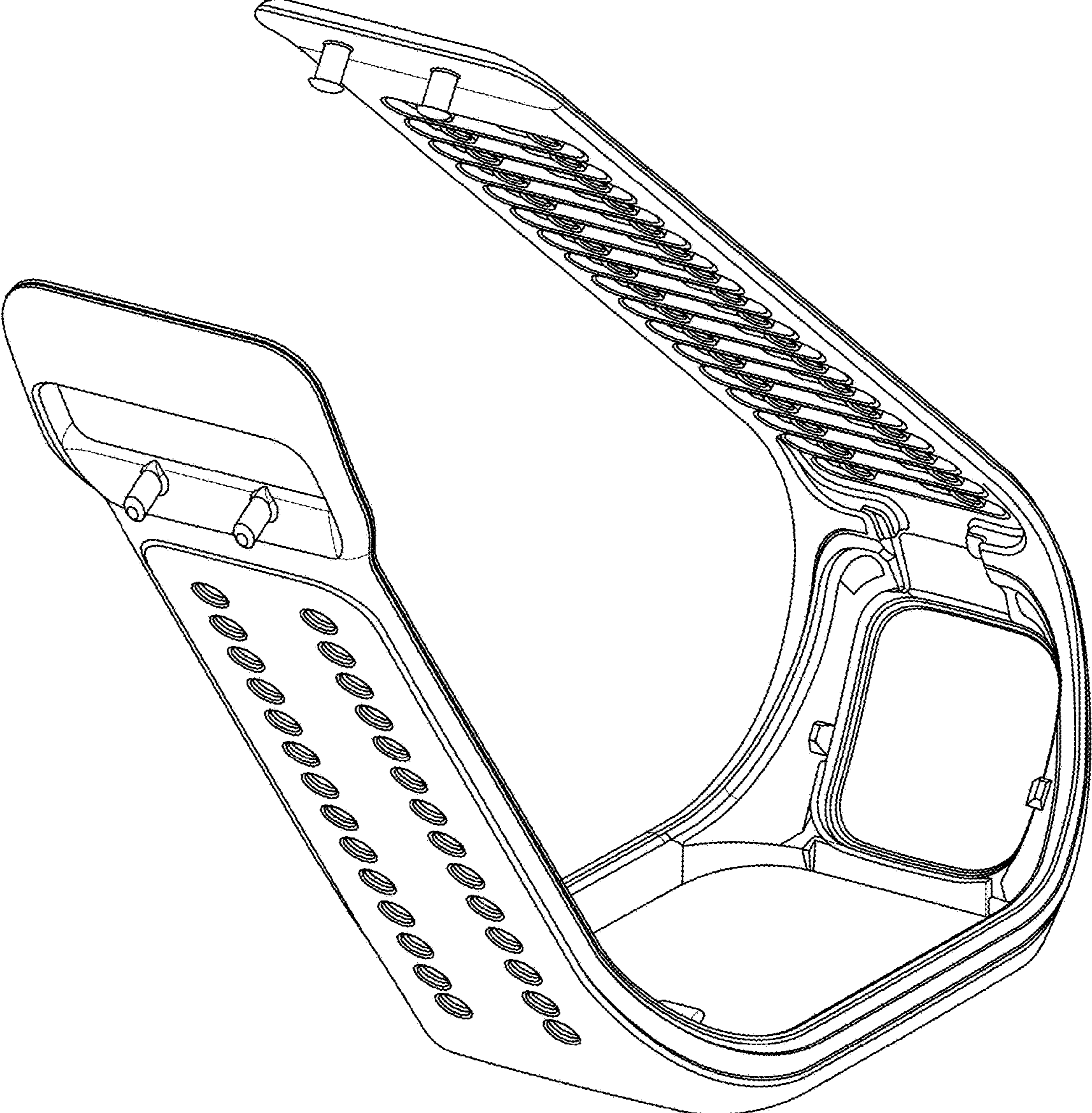


FIG. 2

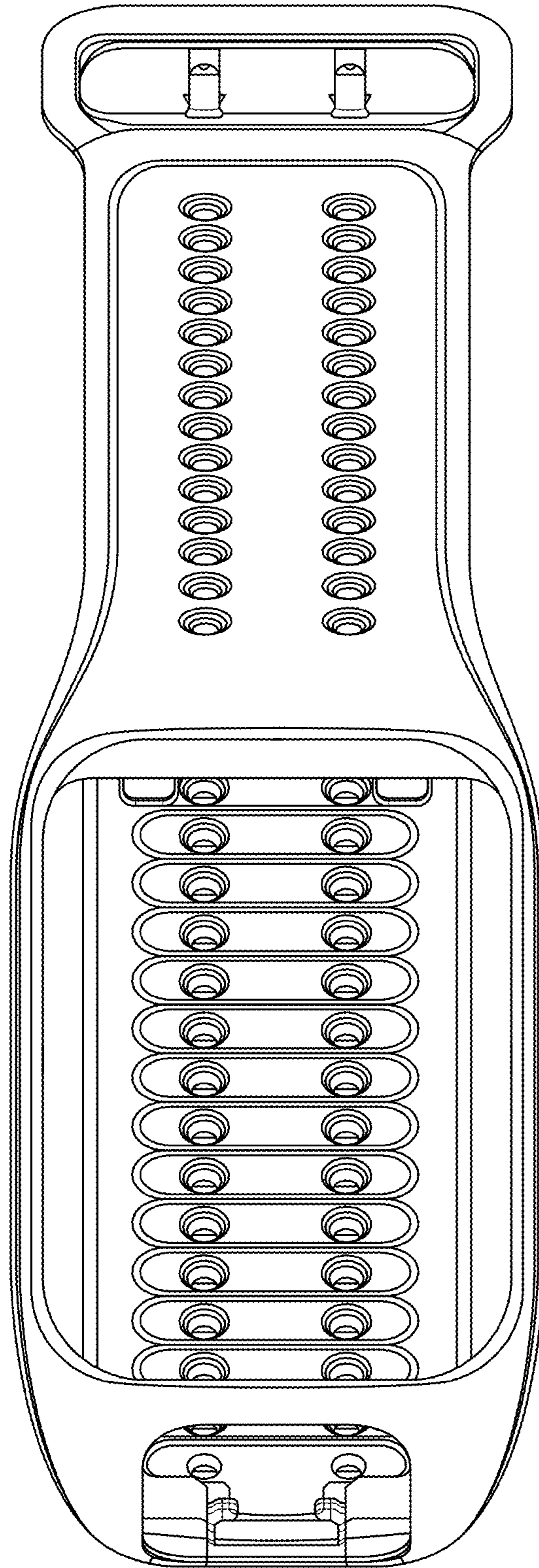


FIG. 3

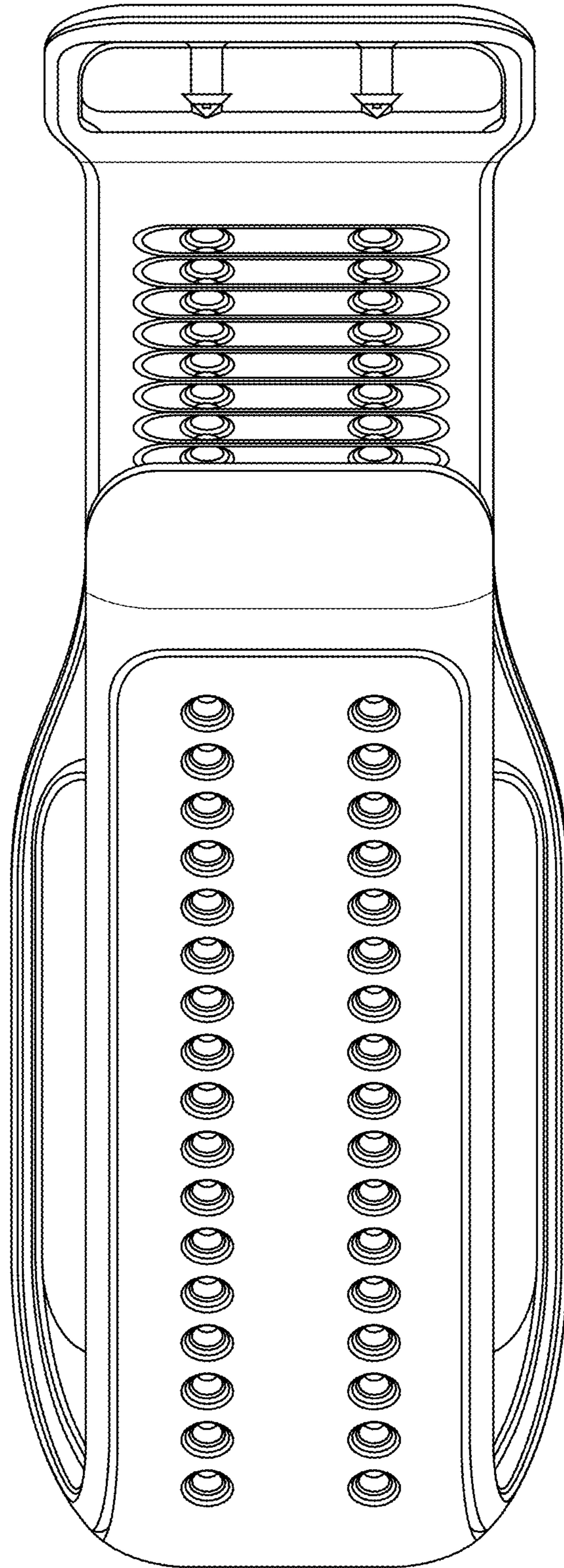


FIG. 4

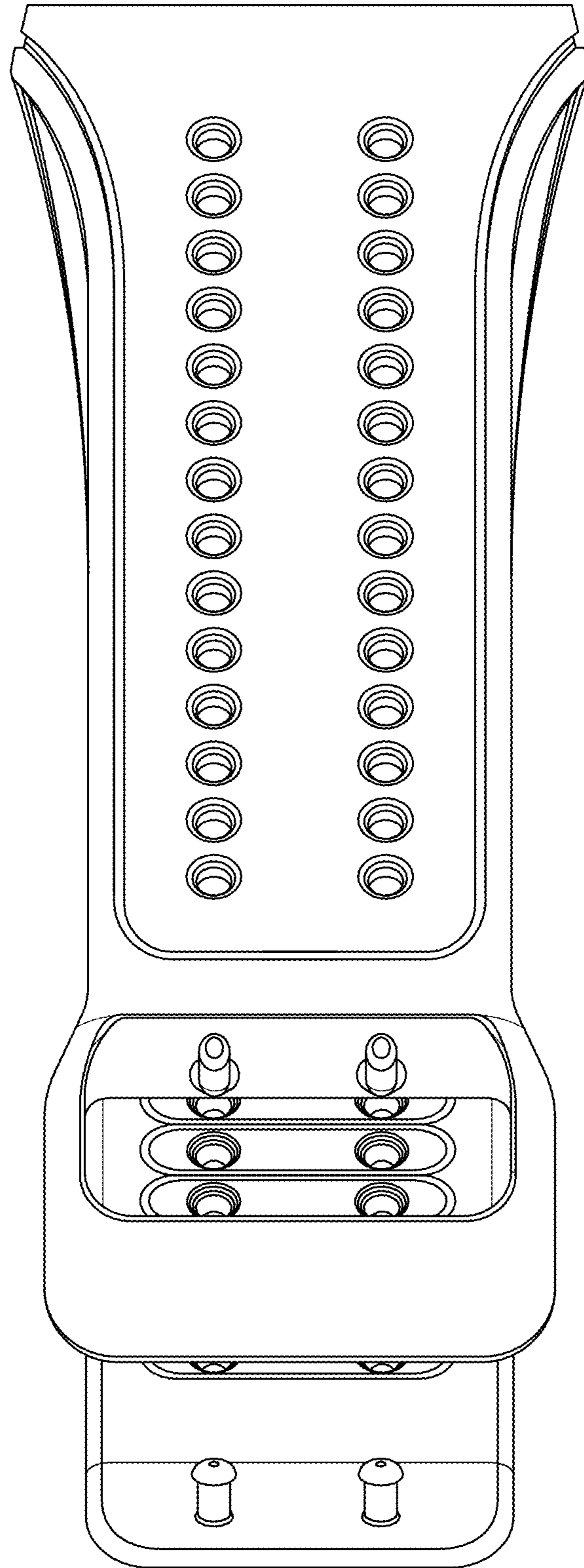


FIG. 5

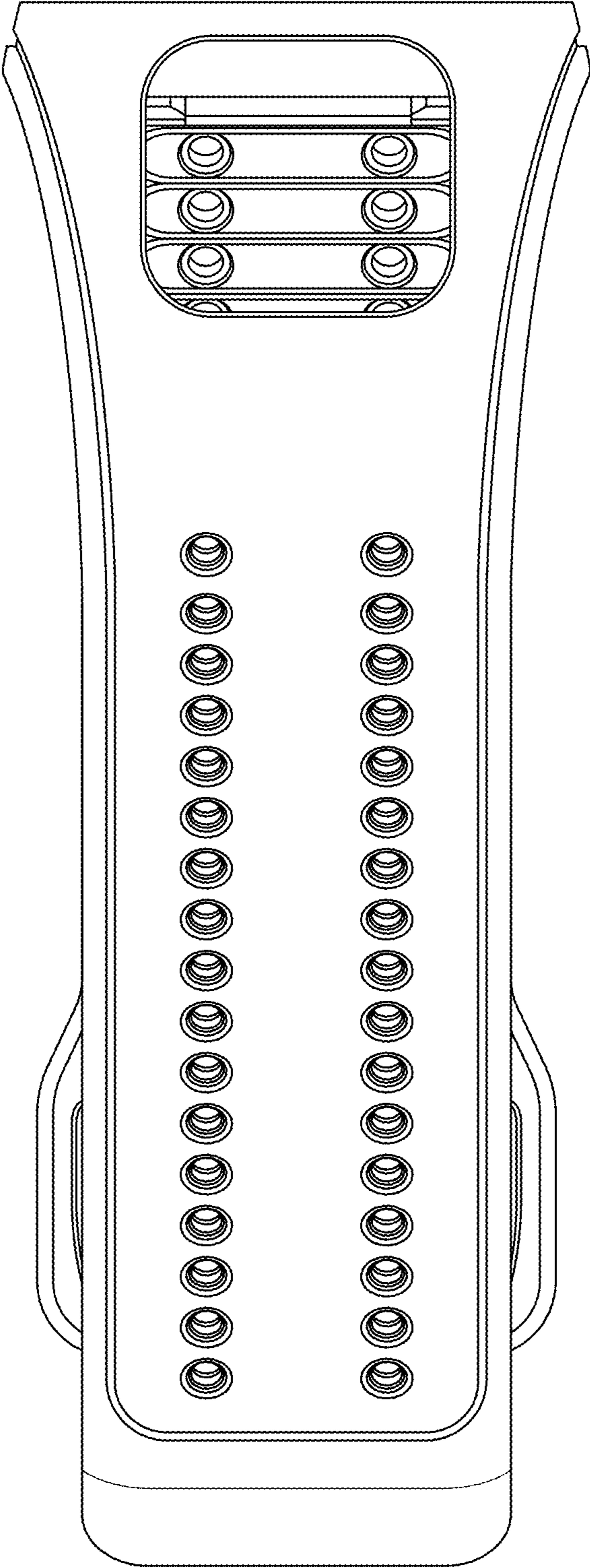


FIG. 6

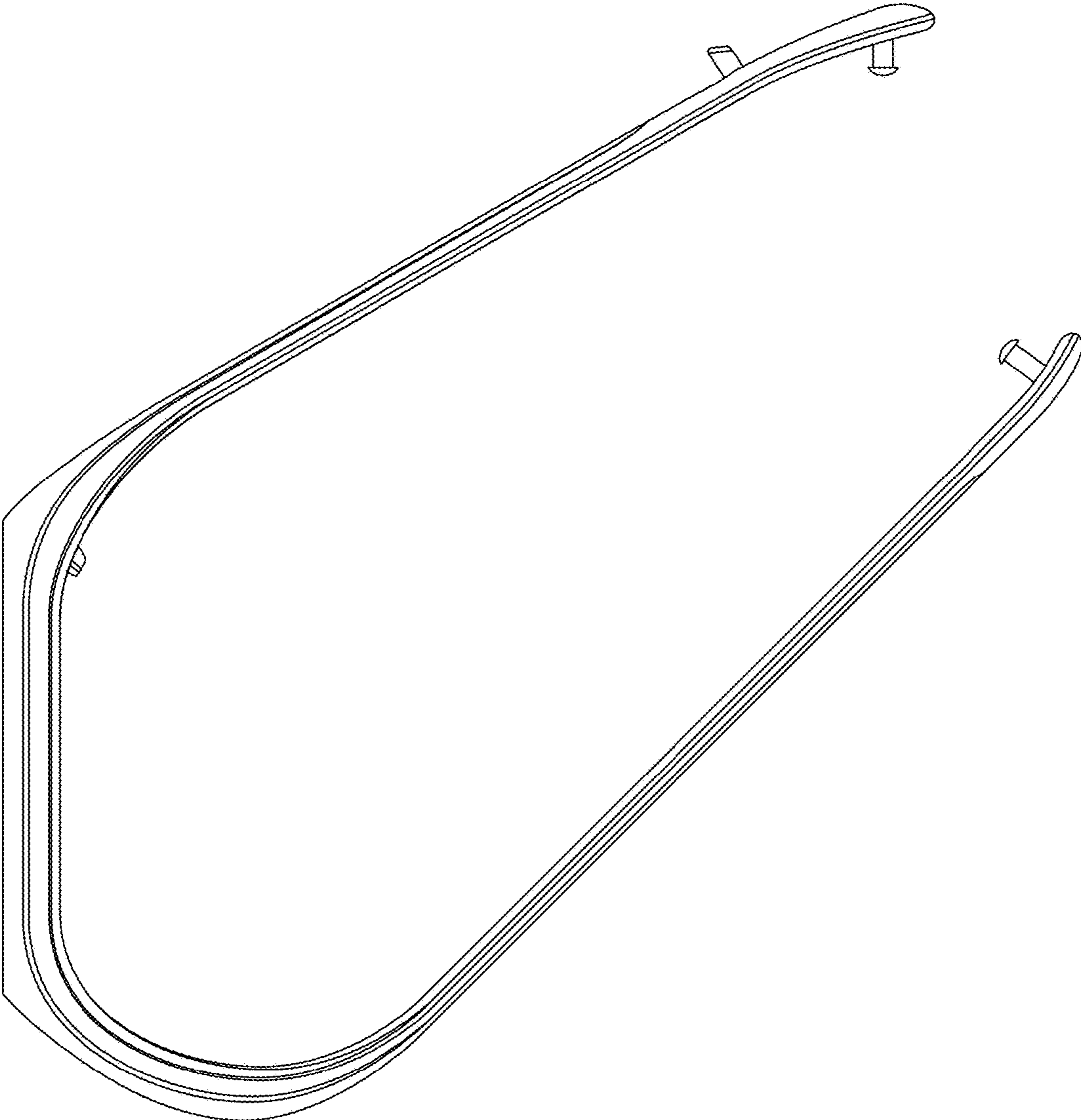


FIG. 7