



US00D795109S

(12) **United States Design Patent** (10) **Patent No.:** **US D795,109 S**
Olodort et al. (45) **Date of Patent:** **** Aug. 22, 2017**

(54) **VIBRATORY ALERT DEVICE** 5,923,255 A * 7/1999 Vahdatshoar G08B 21/0216
340/573.1
(71) Applicant: **Simple Matters LLC**, Santa Monica, CA (US) D519,869 S * 5/2006 Sasaki D10/106.1
D688,965 S * 9/2013 Hutchins D10/104.1
D711,758 S * 8/2014 Heath D10/104.1

(72) Inventors: **Robert Olodort**, Santa Monica, CA (US); **Fred Bould**, Menlo Park, CA (US); **Winslow Harte**, San Carlos, CA (US); **Arturo Meuniot**, San Francisco, CA (US) * cited by examiner
Primary Examiner — George D Kirschbaum
(74) *Attorney, Agent, or Firm* — Blakely, Sokoloff, Taylor & Zafman LLP

(73) Assignee: **Simple Matters LLC**, Santa Monica, CA (US)

(**) Term: **15 Years**

(21) Appl. No.: **29/582,476**

(22) Filed: **Oct. 27, 2016**

Related U.S. Application Data

(62) Division of application No. 29/507,397, filed on Oct. 27, 2014, now Pat. No. Des. 773,329.

(51) **LOC (10) Cl.** **10-05**

(52) **U.S. Cl.**
USPC **D10/104.1**

(58) **Field of Classification Search**
USPC D10/104.1, 104.2
CPC H04B 1/0343; G08B 25/016; G08B 21/02;
G08B 21/0216; G08B 7/06; A61H 31/005
See application file for complete search history.

(56) **References Cited**

U.S. PATENT DOCUMENTS

4,491,970 A * 1/1985 LaWhite H04B 1/0343
455/100
D409,510 S * 5/1999 McDonald D10/104.1

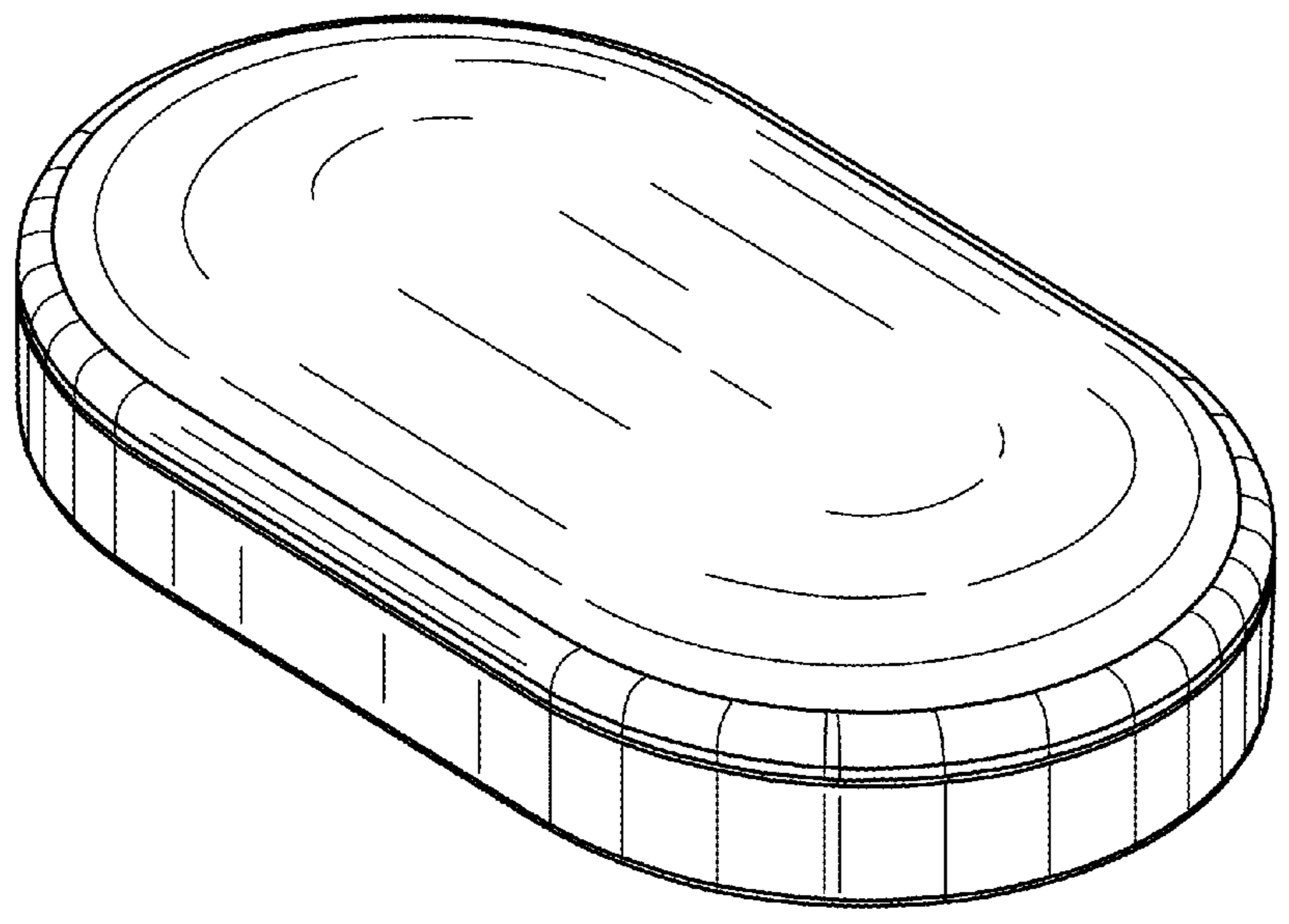
(57) **CLAIM**

The ornamental design for a vibratory alert device, as shown and described.

DESCRIPTION

FIG. 1 is a perspective view of a second embodiment of a vibratory alert device.
FIG. 2 is a top view of the second embodiment of FIG. 1.
FIG. 3 is a bottom view of the second embodiment of the device of FIG. 1; FIG. 3 shows a coin door on the bottom of the device.
FIG. 4 is a right side view of the second embodiment of FIG. 1.
FIG. 5 is a left side view of the second embodiment of the device of FIG. 1.
FIG. 6 is a back view of the second embodiment of the device of FIG. 1; and,
FIG. 7 is a front view of the second embodiment of the device of FIG. 1.

1 Claim, 7 Drawing Sheets



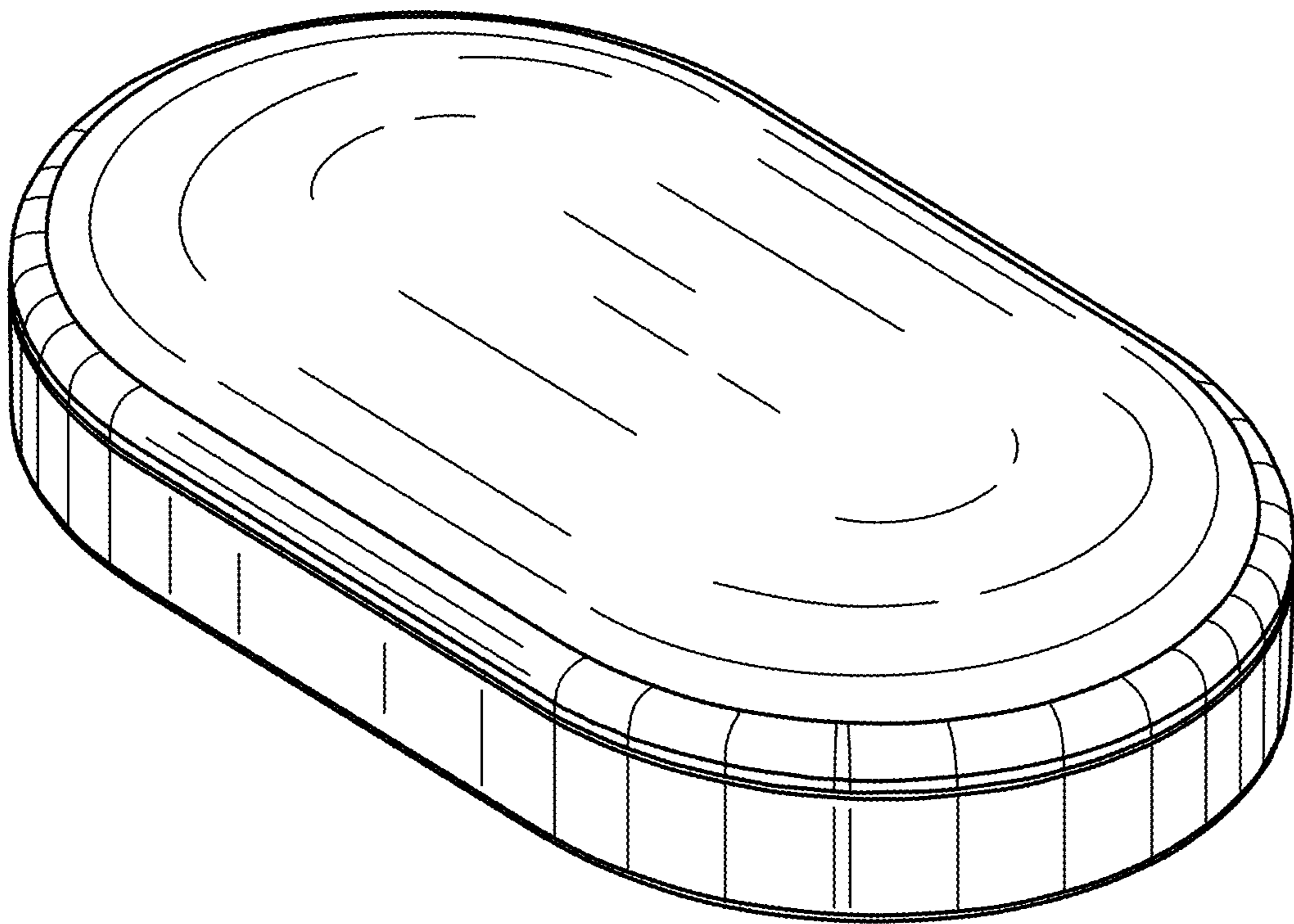


FIG. 1

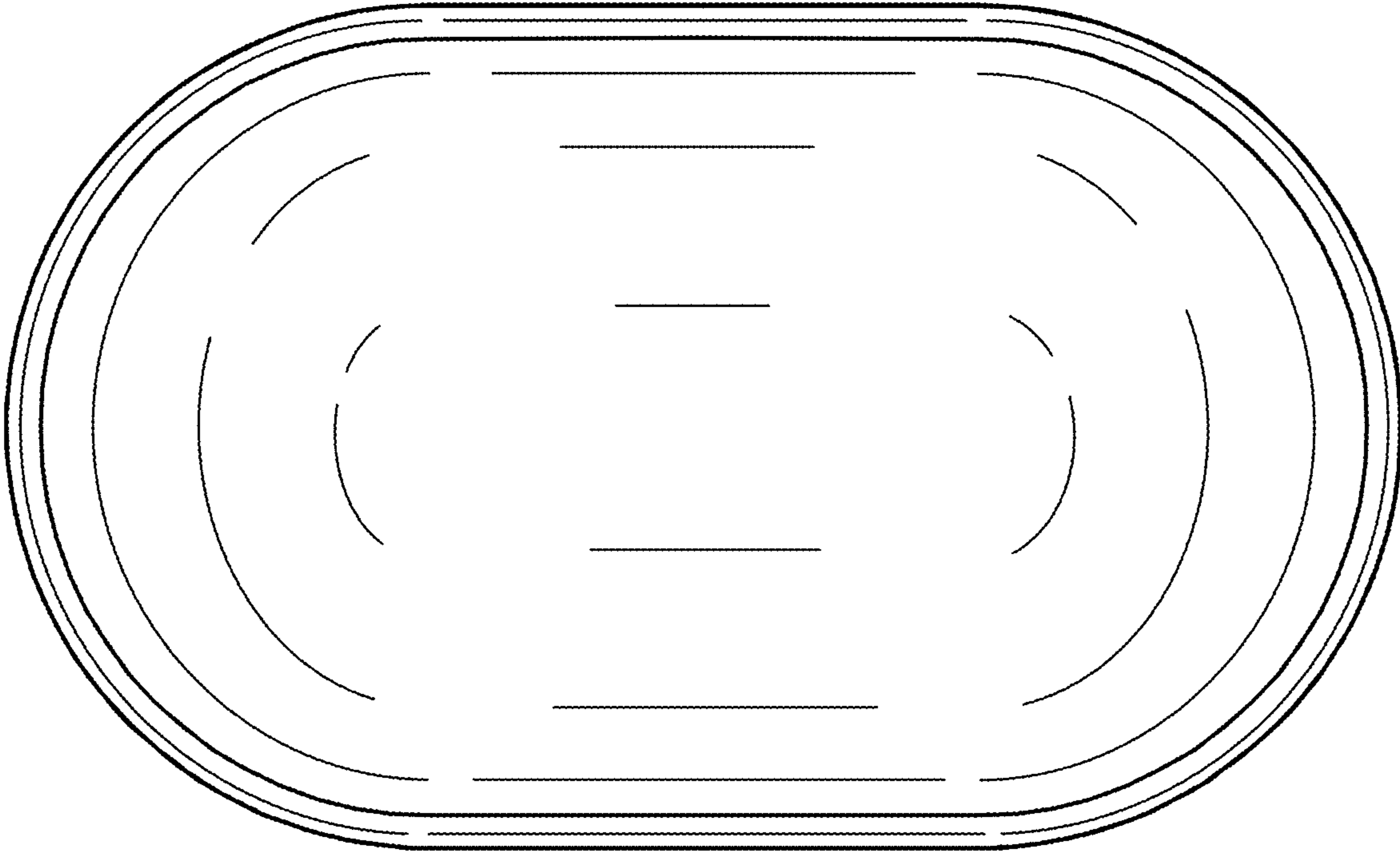


FIG. 2

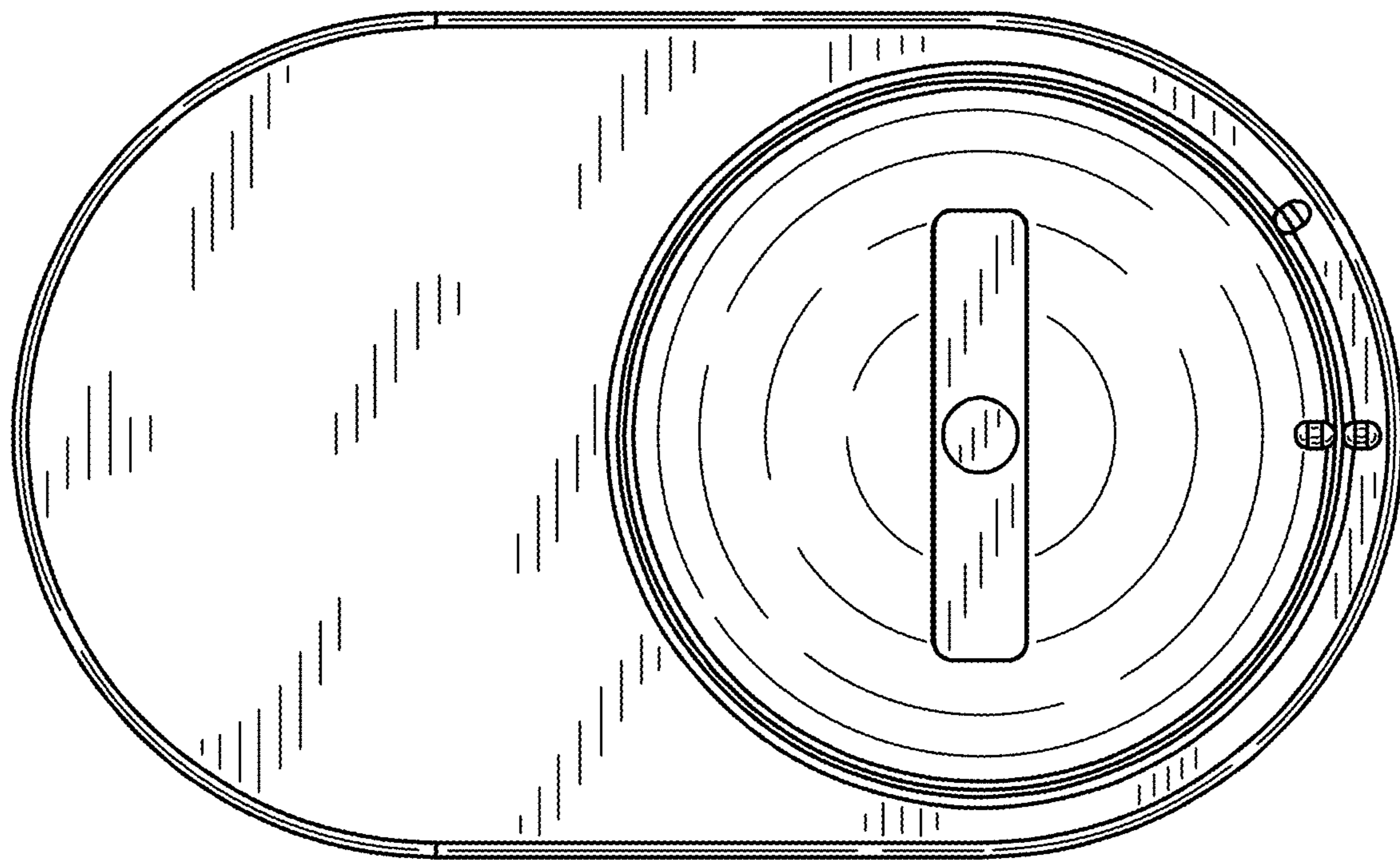


FIG. 3



FIG. 4

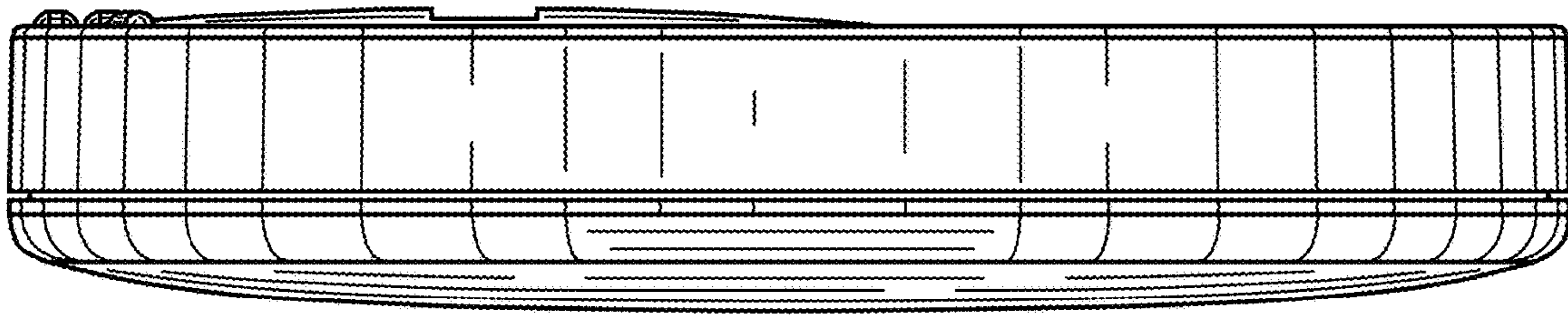


FIG. 5

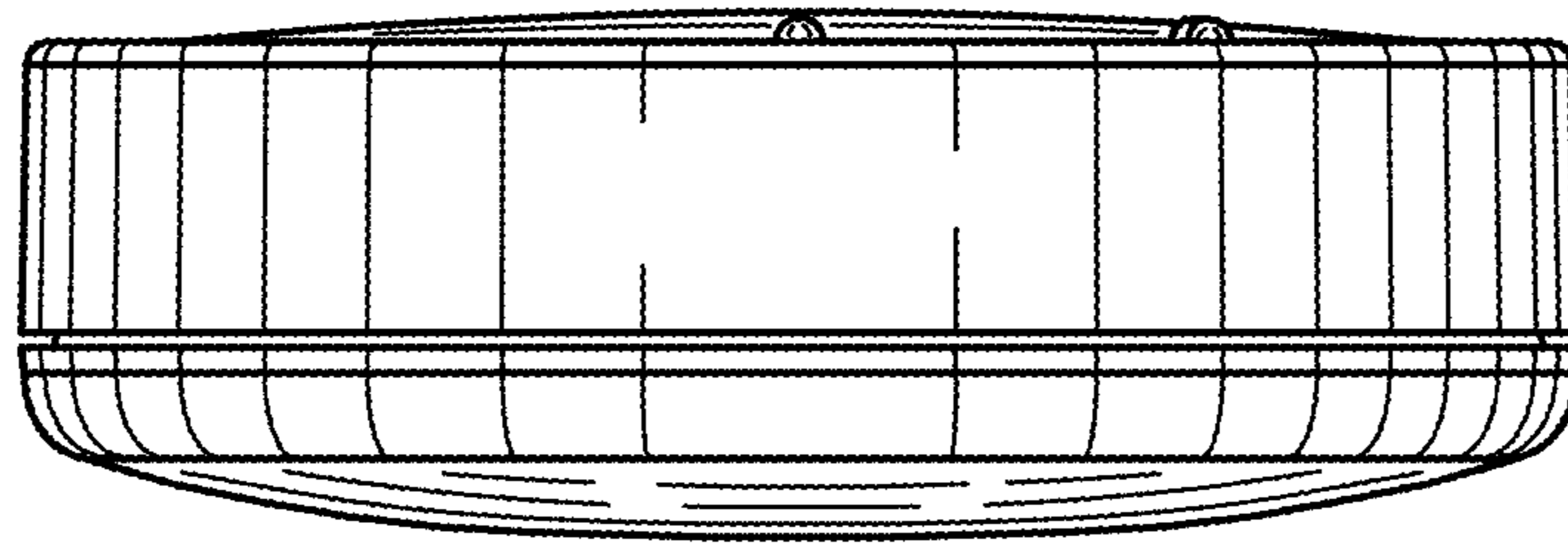


FIG. 6

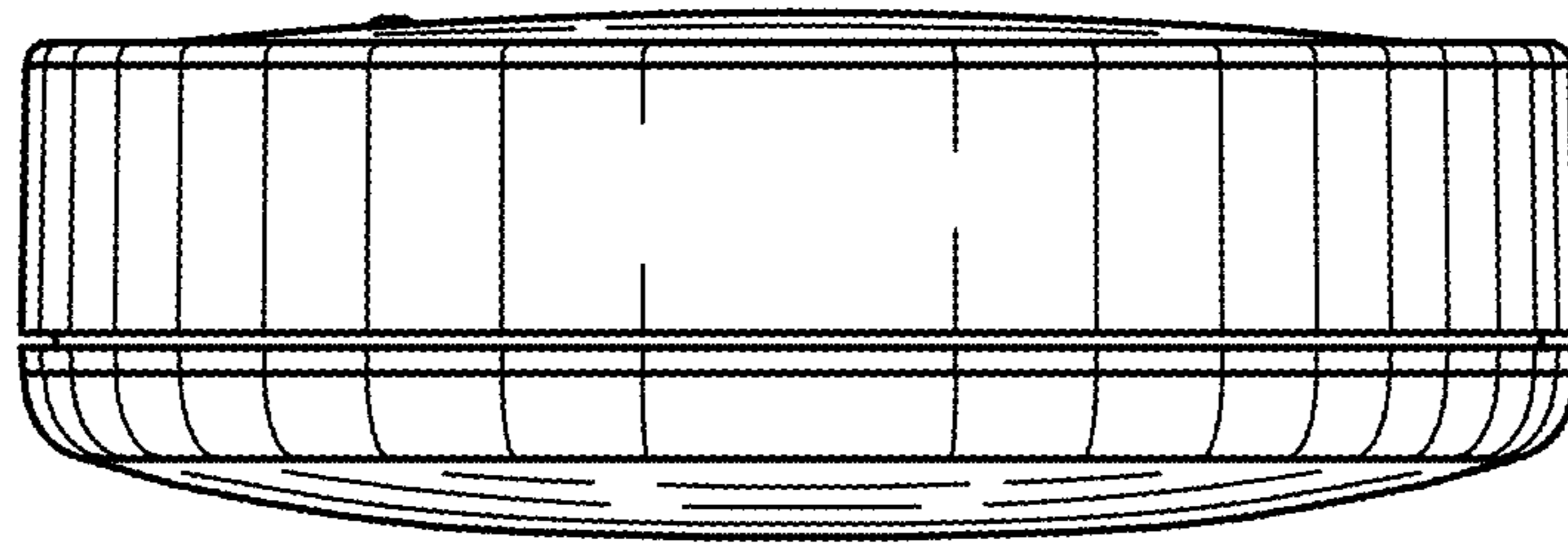


FIG. 7