



US00D795108S

(12) **United States Design Patent**
Kondo et al.

(10) **Patent No.:** **US D795,108 S**

(45) **Date of Patent:** **** Aug. 22, 2017**

(54) **HUMAN BODY DETECTOR**

(71) Applicant: **Optex Co., Ltd.**, Otsu-shi, Shiga (JP)

(72) Inventors: **Takashi Kondo**, Otsu (JP); **Hirofumi Shimada**, Otsu (JP); **Takeo Hyodo**, Tokyo (JP); **Yu Kawashima**, Tokyo (JP)

(73) Assignee: **OPTEX CO., LTD.** (JP)

(**) Term: **15 Years**

(21) Appl. No.: **29/571,504**

(22) Filed: **Jul. 19, 2016**

(30) **Foreign Application Priority Data**

Jan. 22, 2016 (JP) 2016-001114

(51) **LOC (10) Cl.** **10-04**

(52) **U.S. Cl.**
USPC **D10/70; D10/106.6**

(58) **Field of Classification Search**
USPC D10/65, 70, 106.6, 106.7, 106.8
CPC .. G01P 13/00; G01P 13/0006; G01P 13/0013;
G01P 13/002; G01P 13/0026; G01P
13/0033; G01P 13/004; G01P 13/0046;
G01P 13/0053; G01P 13/006; G01P
13/0066; G01P 13/0073; G01P 13/008;
G01P 13/0086; G01P 13/0093; G08B
21/00

See application file for complete search history.

(56) **References Cited**

U.S. PATENT DOCUMENTS

D275,658	S	*	9/1984	Kahl, Jr.	D10/106.6
D307,245	S	*	4/1990	Biersdorff	D10/106.6
D425,534	S	*	5/2000	Mutoh	D10/106.1
D427,928	S	*	7/2000	Hiller	D10/106.7
D428,352	S	*	7/2000	Hiller	D10/106.7
D438,133	S	*	2/2001	Leen	D10/106.7
D628,103	S	*	11/2010	Schmalz	D10/106.6
D689,385	S	*	9/2013	Haws	D10/106.8

* cited by examiner

Primary Examiner — Antoine D Davis

(57) **CLAIM**

The ornamental design for a human body detector, as shown and described.

DESCRIPTION

FIG. 1 is a front elevational view of a human body detector showing our new design;
FIG. 2 is a rear elevational view thereof;
FIG. 3 is a left side elevational view thereof, the right side view being a mirror image of that shown;
FIG. 4 is a top plan view thereof;
FIG. 5 is a bottom plan view thereof;
FIG. 6 is a front high perspective view thereof;
FIG. 7 is a rear perspective view thereof; and,
FIG. 8 is a front low perspective view thereof.
The subject detector is mounted on a support member such as a wall or a pole to detect human body by use of infrared rays or microwaves.

1 Claim, 8 Drawing Sheets

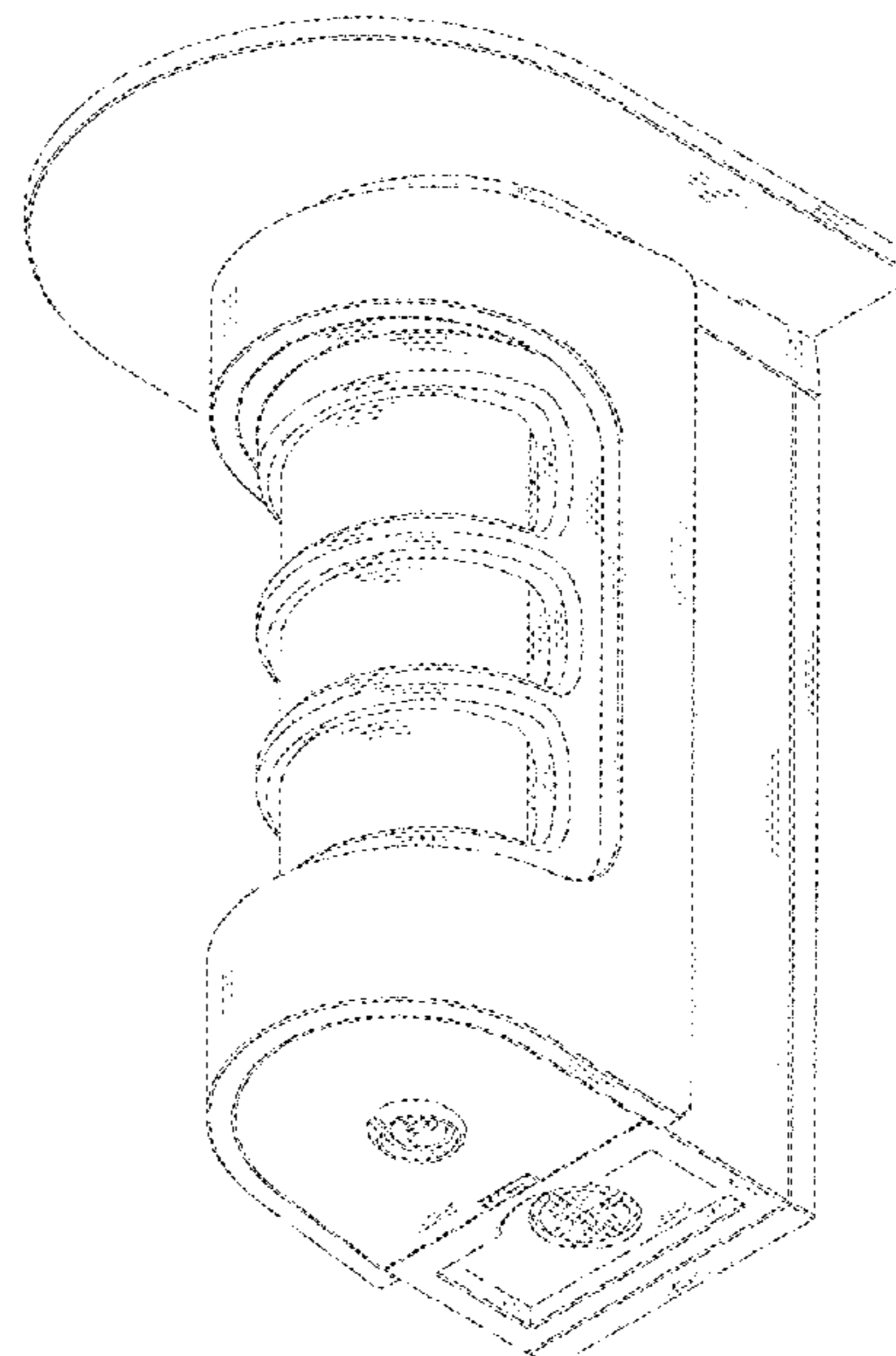
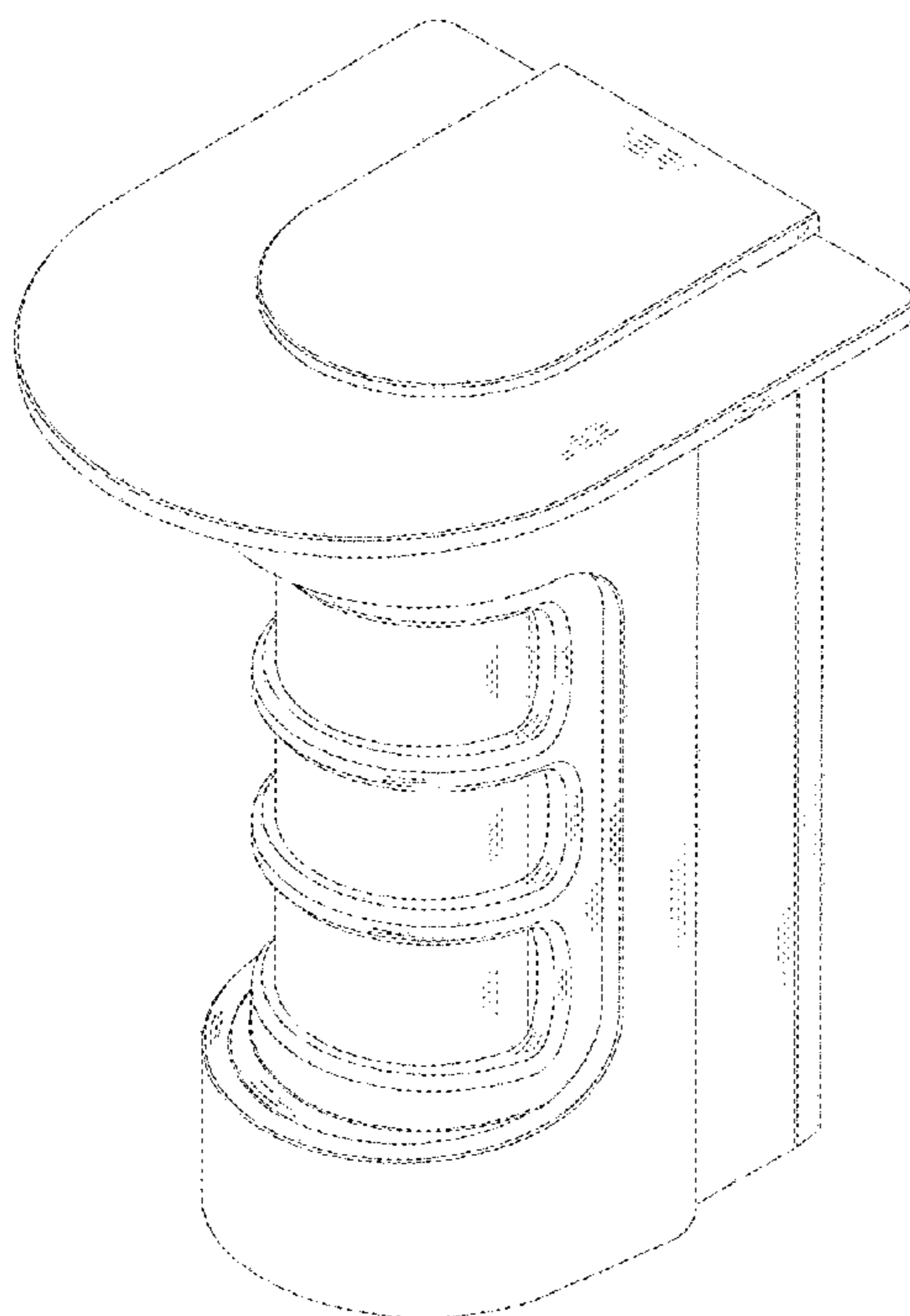


Fig. 1

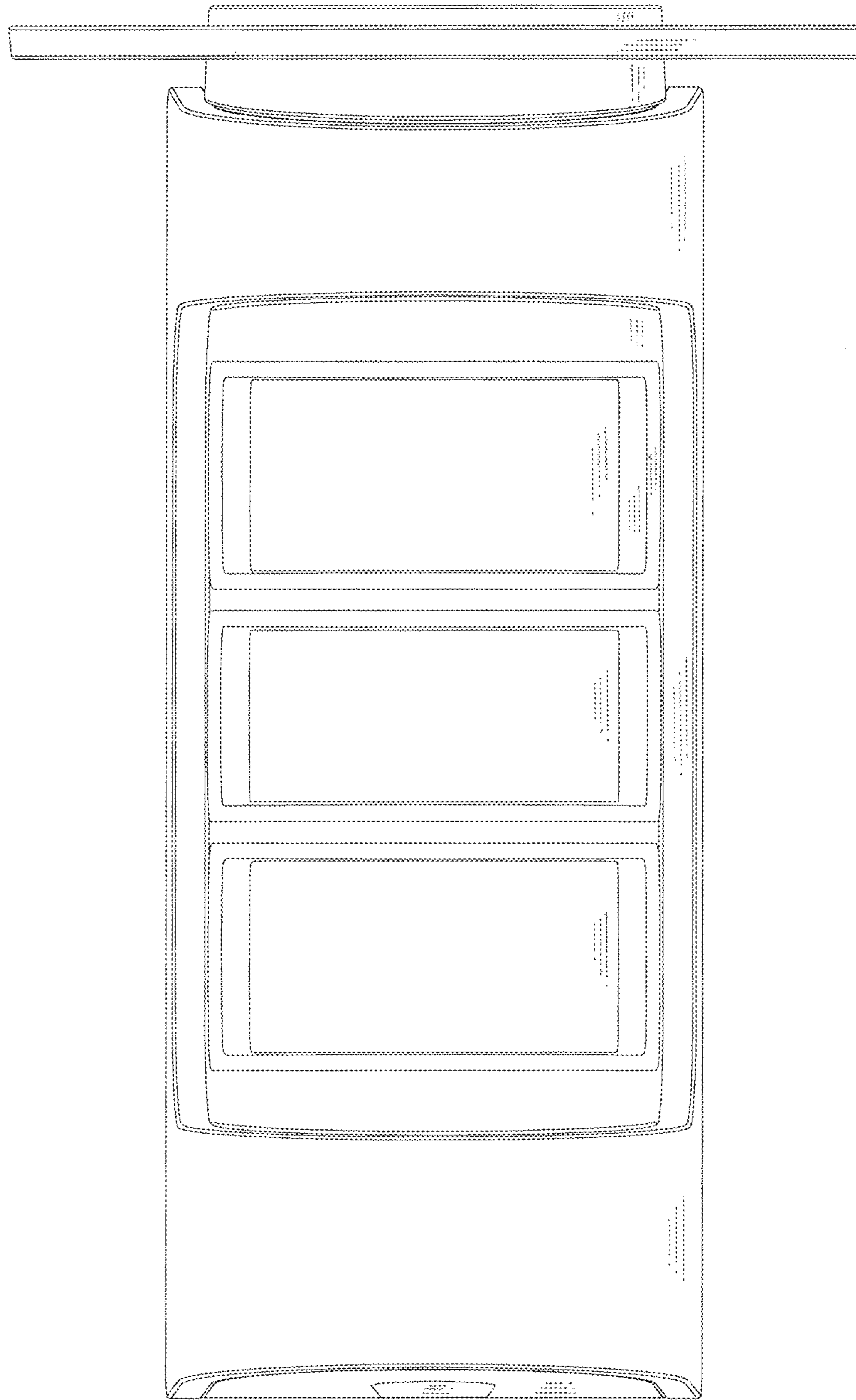


Fig. 2

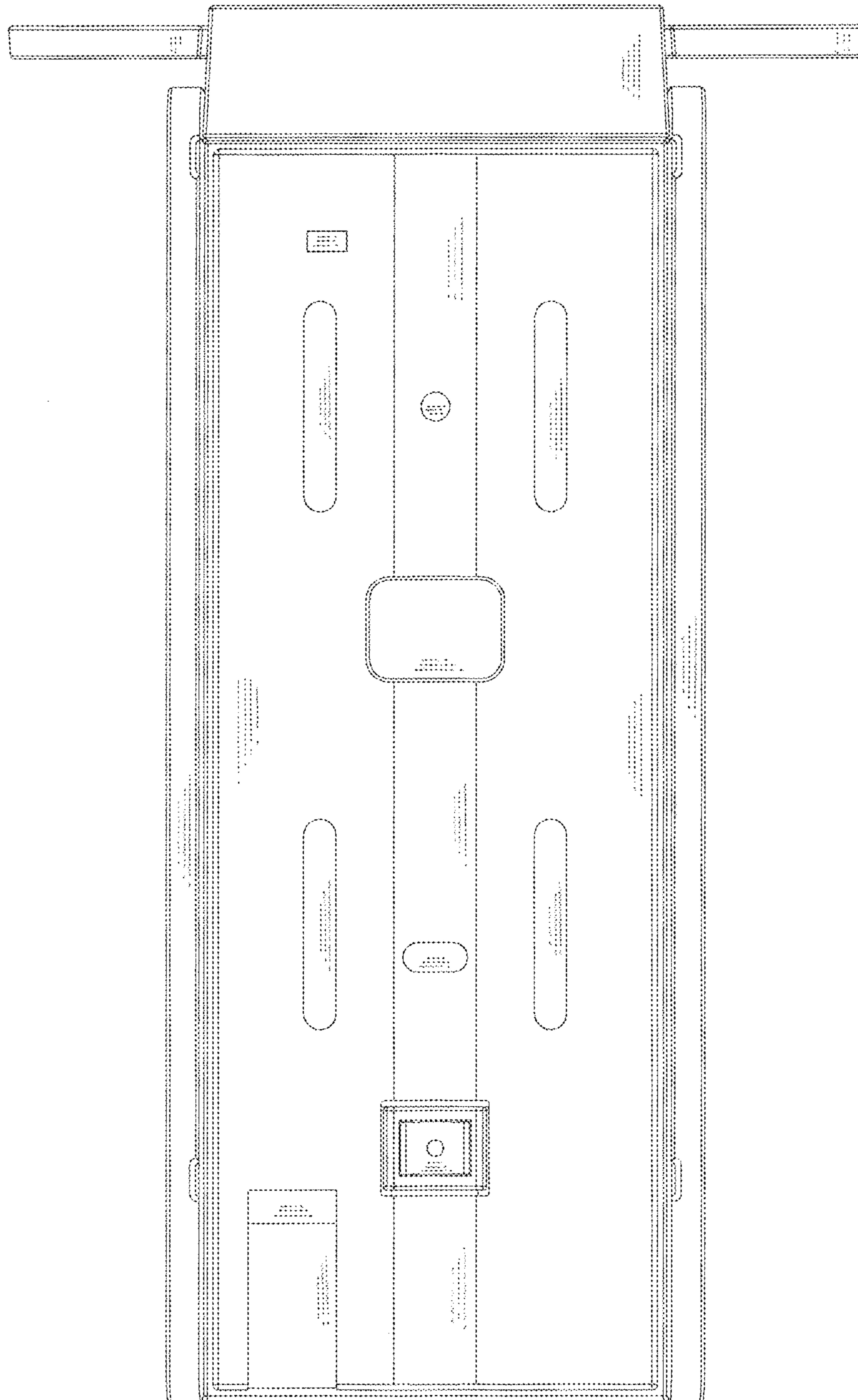


Fig. 3

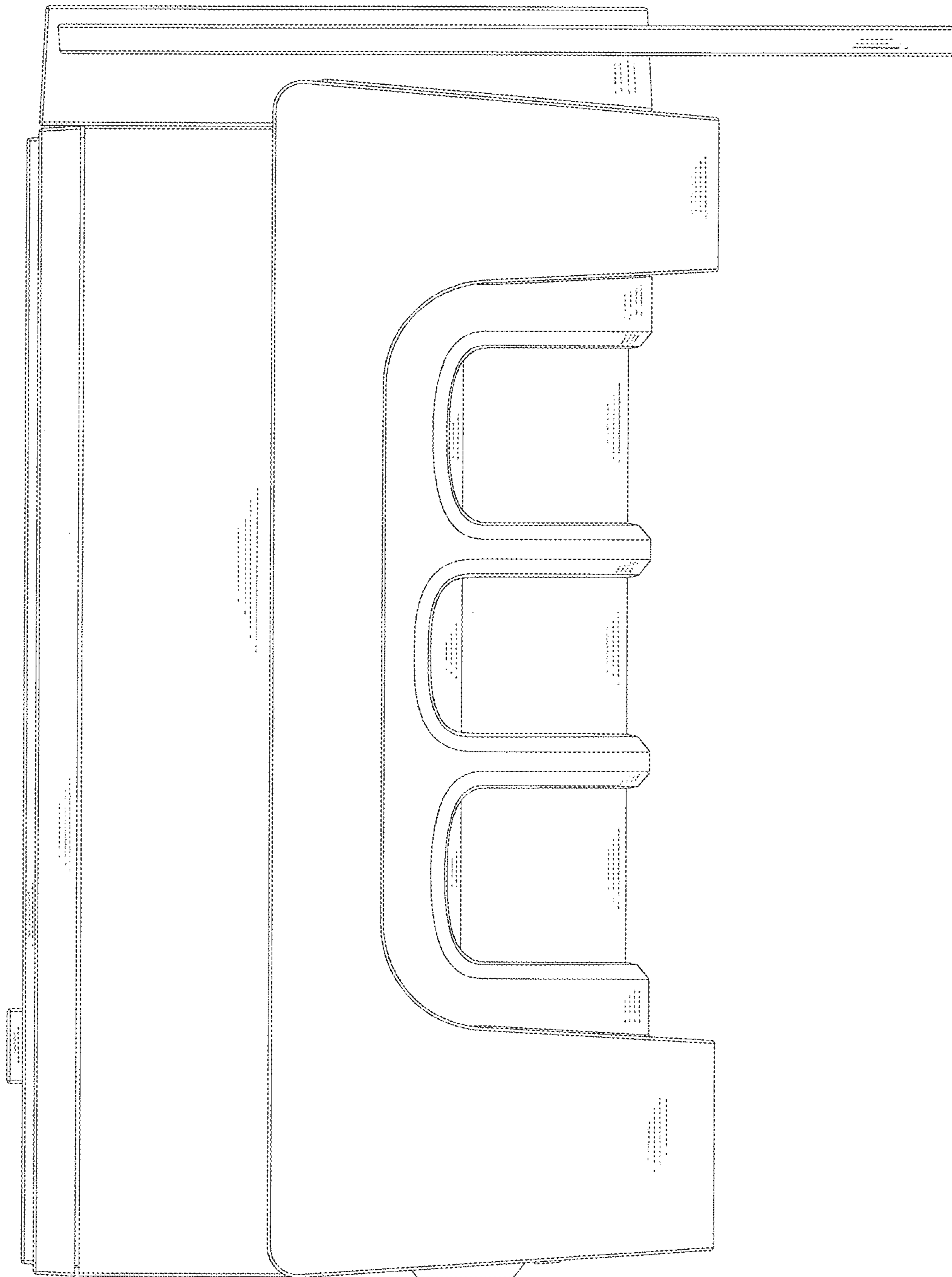


Fig. 4

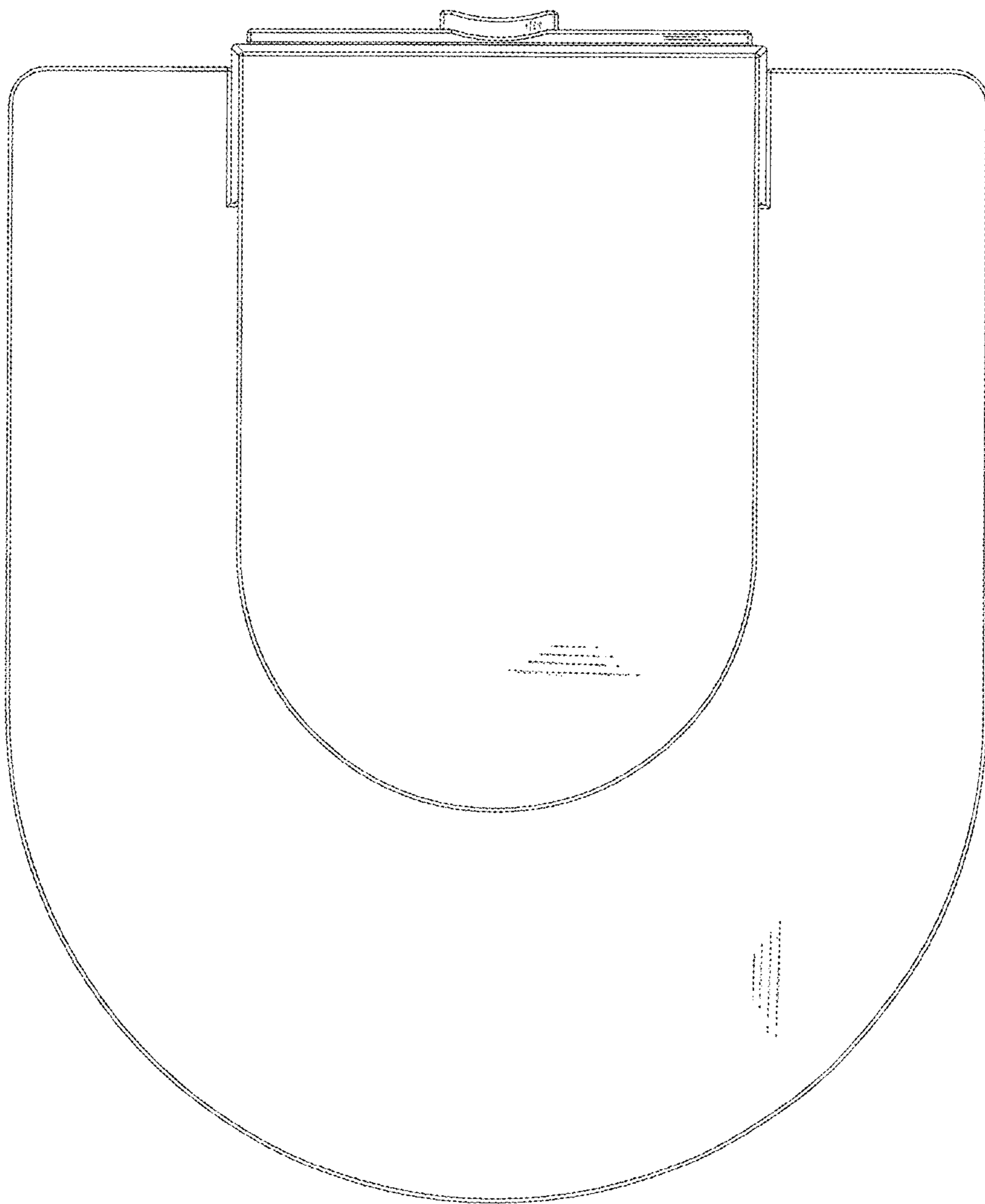


Fig. 5

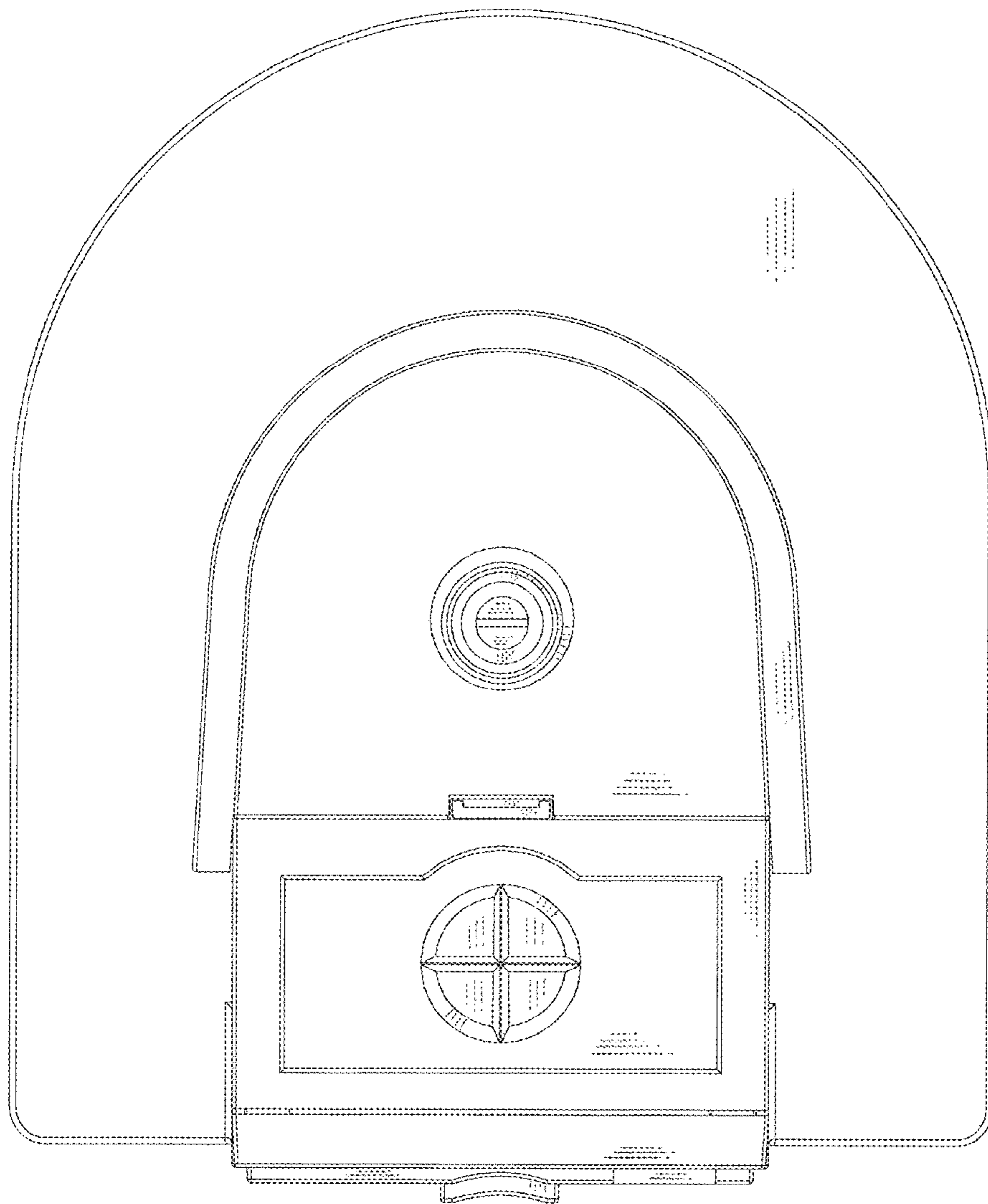


Fig. 6

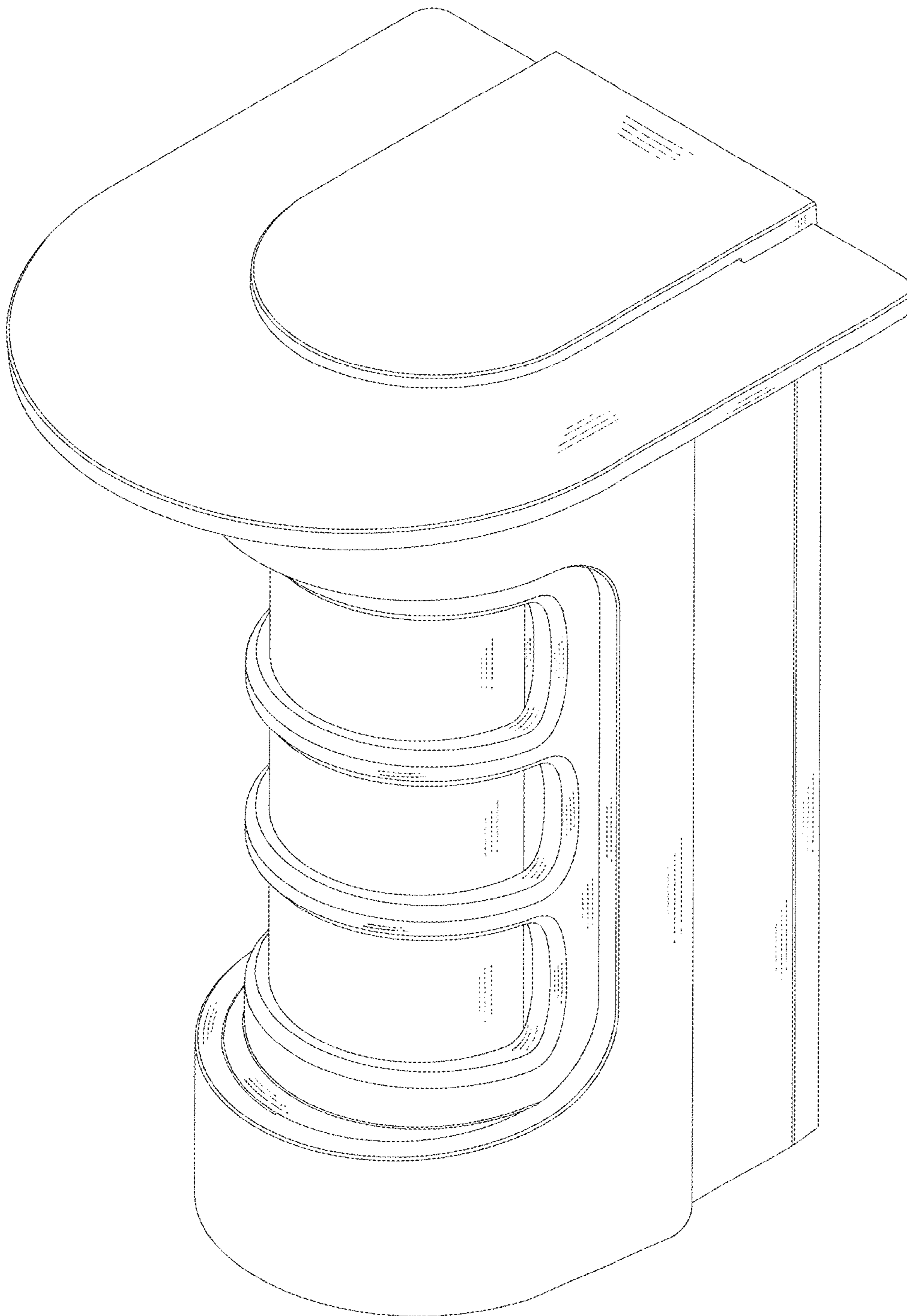


Fig. 7

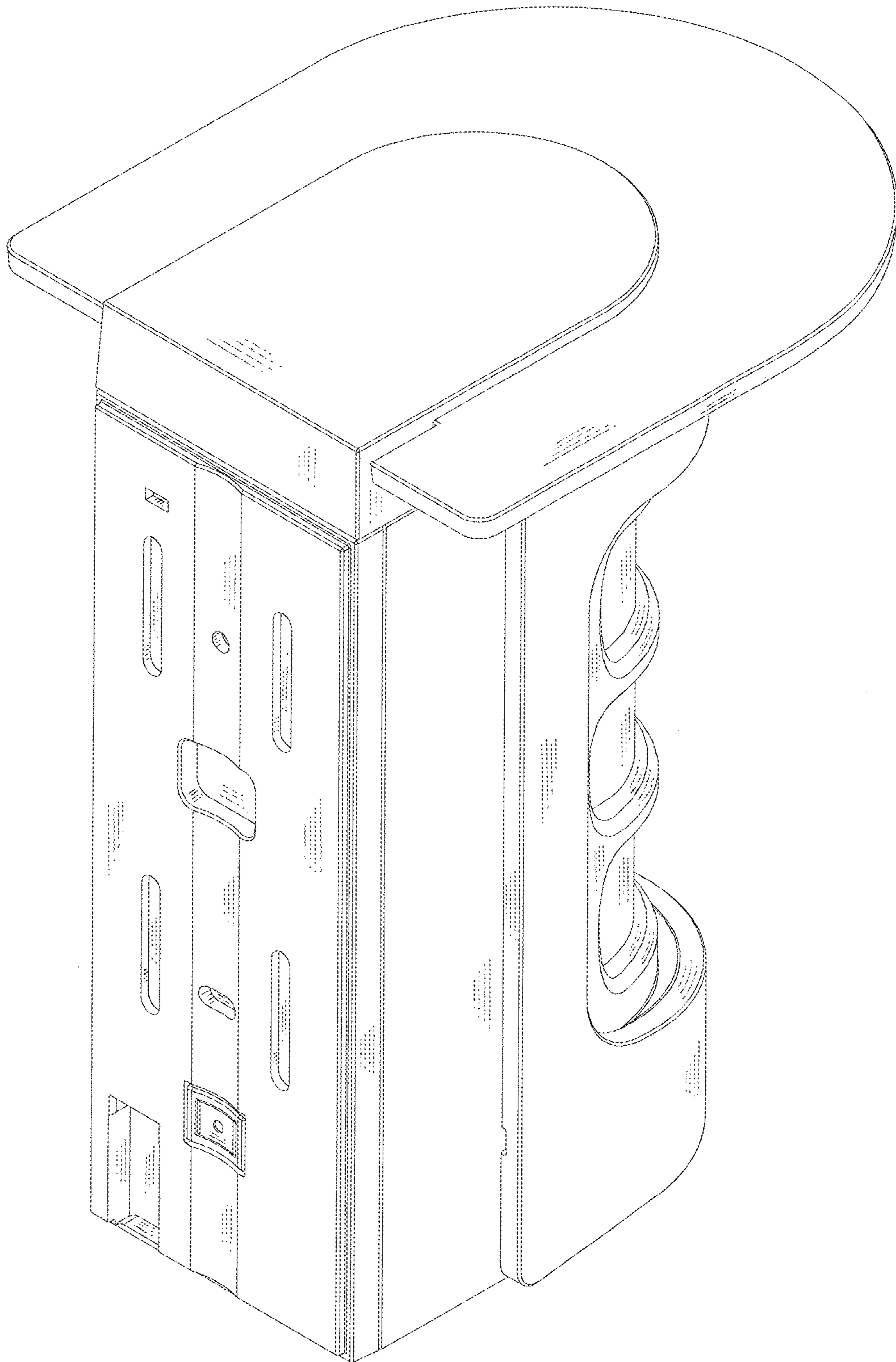


Fig. 8

