



US00D795107S

(12) **United States Design Patent**
Alvarez et al.

(10) **Patent No.:** **US D795,107 S**
(45) **Date of Patent:** **** Aug. 22, 2017**

(54) **GUIDE FOR PREPARING A BUILDING MATERIAL SAMPLE**

D709,112 S * 7/2014 Cascio D15/140

* cited by examiner

(71) Applicant: **ITEL Laboratories, Inc.**, Jacksonville, FL (US)

Primary Examiner — Antoine D Davis

(72) Inventors: **Steve M. Alvarez**, Jacksonville, FL (US); **Carl Jonas Peter Schonning**, Jacksonville, FL (US)

(74) *Attorney, Agent, or Firm* — Choate, Hall & Stewart, LLP

(73) Assignee: **ITEL Laboratories, Inc.**, Jacksonville, FL (US)

(57) **CLAIM**

The ornamental design for a guide for preparing a building material sample, as shown and described.

(**) Term: **15 Years**

DESCRIPTION

(21) Appl. No.: **29/568,730**

FIG. 1 is a perspective view of a guide for preparing a building material sample, showing my new design; FIG. 2 is another perspective view thereof; FIG. 3 is another perspective view thereof; FIG. 4 is a front view thereof; FIG. 5 is a rear view thereof; FIG. 6 is a right side view thereof; FIG. 7 is a left side view thereof; FIG. 8 is a top view thereof; and, FIG. 9 is a bottom view thereof.

(22) Filed: **Jun. 21, 2016**

(51) **LOC (10) Cl.** **10-04**

(52) **U.S. Cl.**
USPC **D10/65**

(58) **Field of Classification Search**
USPC D10/46, 64, 65; D8/71; D15/140
CPC B23D 33/02; B23D 33/04
See application file for complete search history.

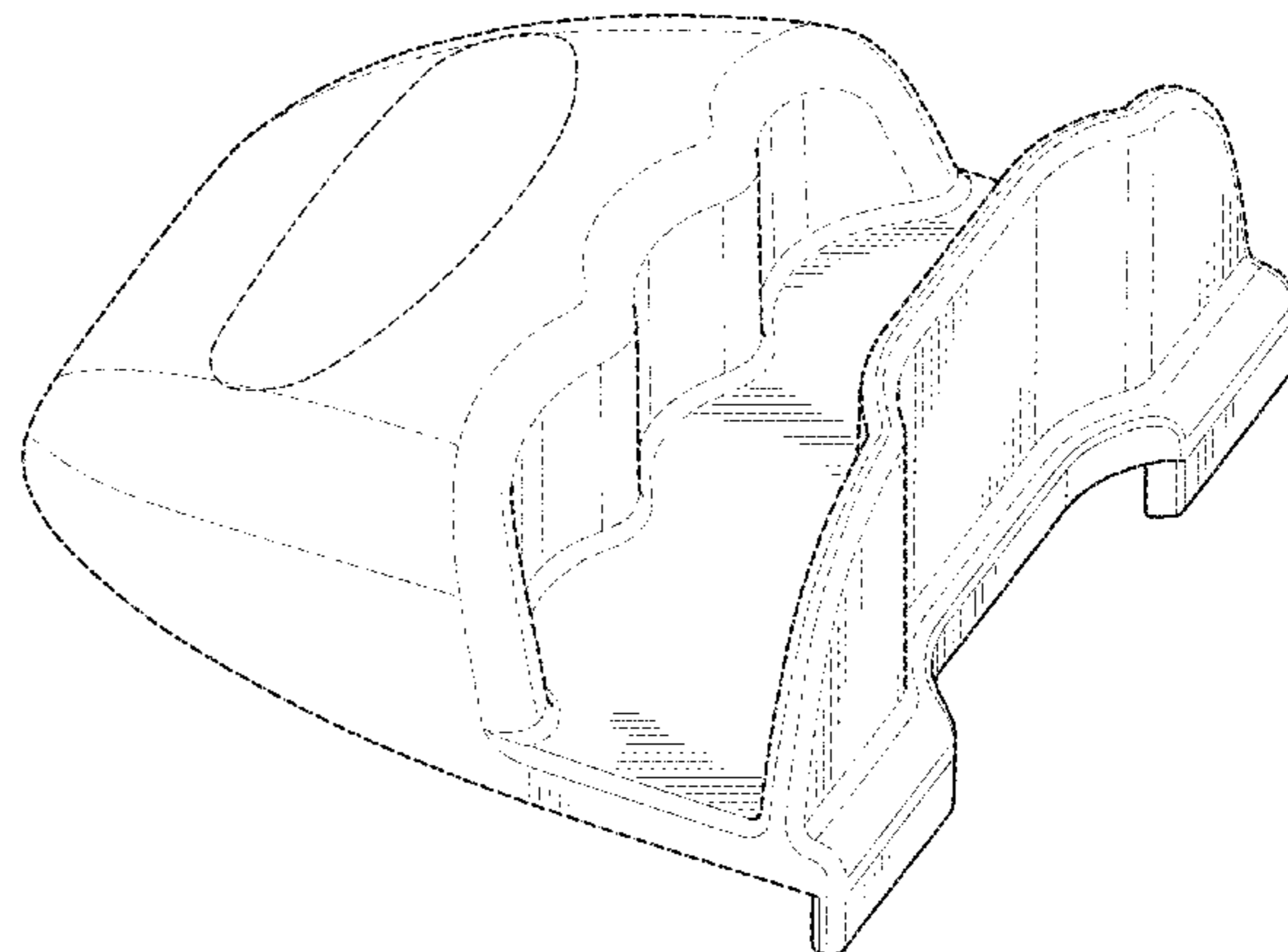
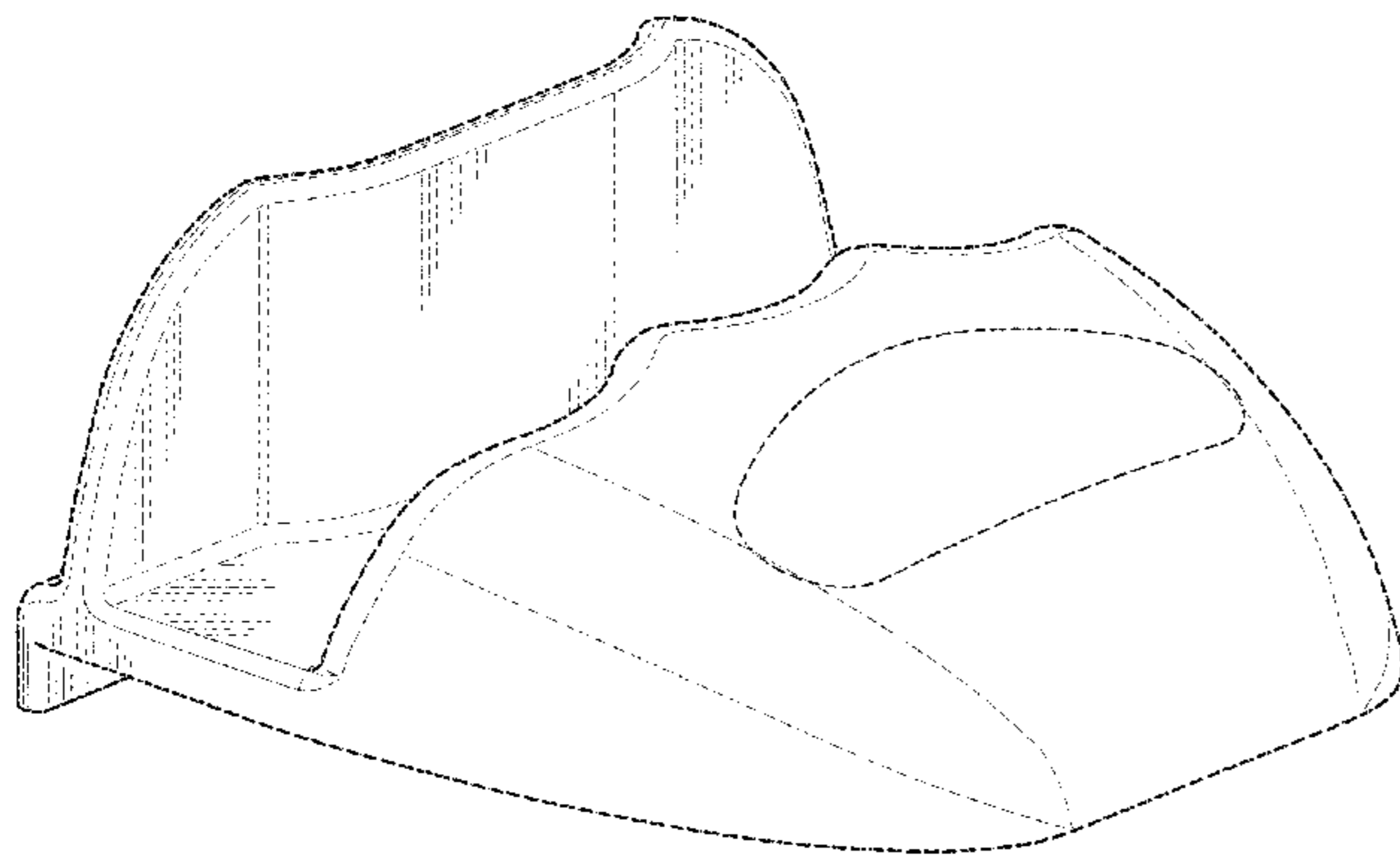
The broken lines present in the drawing form no part of the claimed design and are for illustrative purposes only. Additionally, any broken line illustration of environmental structure in the drawing is not part of the claimed design sought to be patented.

(56) **References Cited**

U.S. PATENT DOCUMENTS

D690,178 S * 9/2013 Orwin D10/62

1 Claim, 7 Drawing Sheets



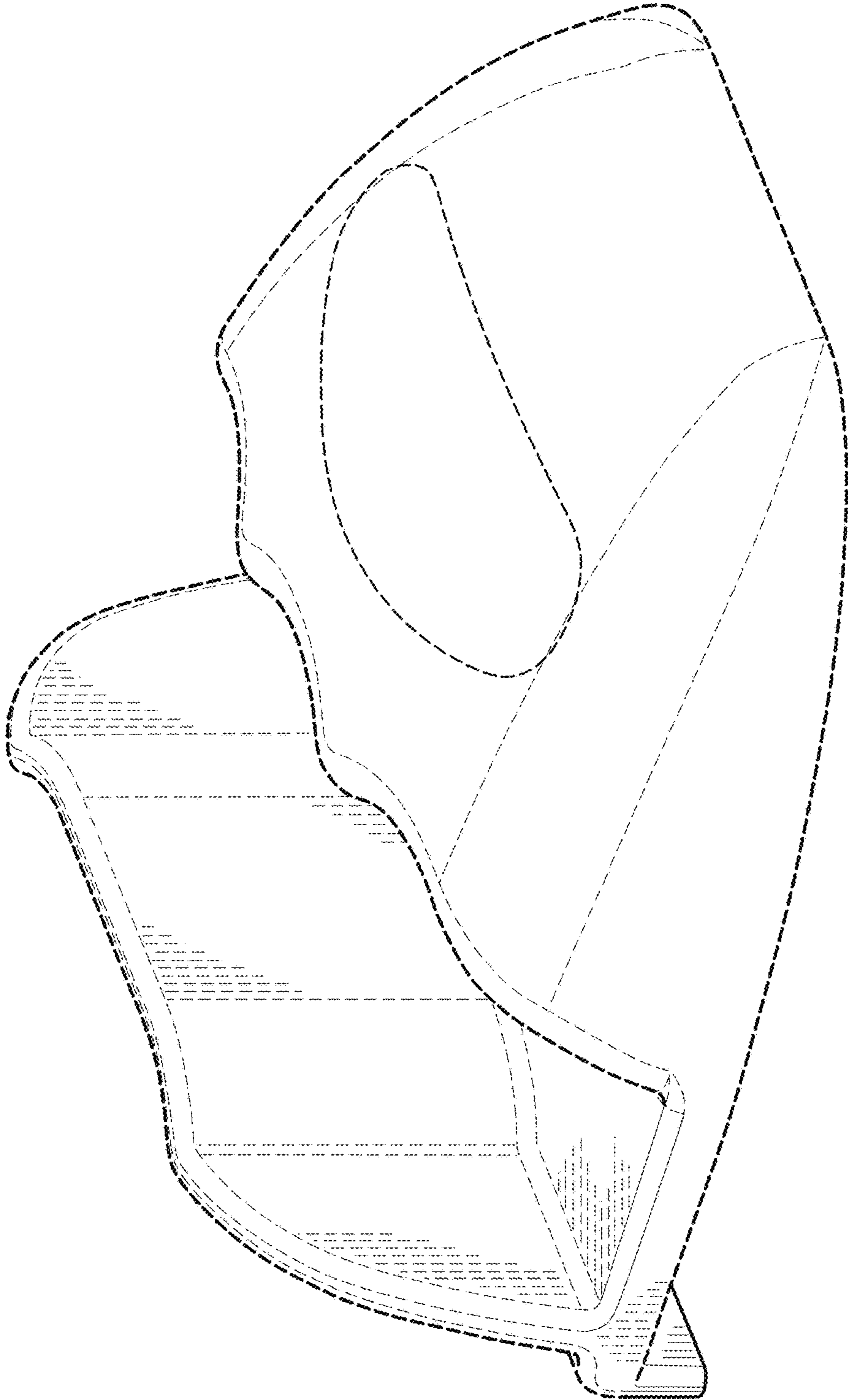


FIG. 1

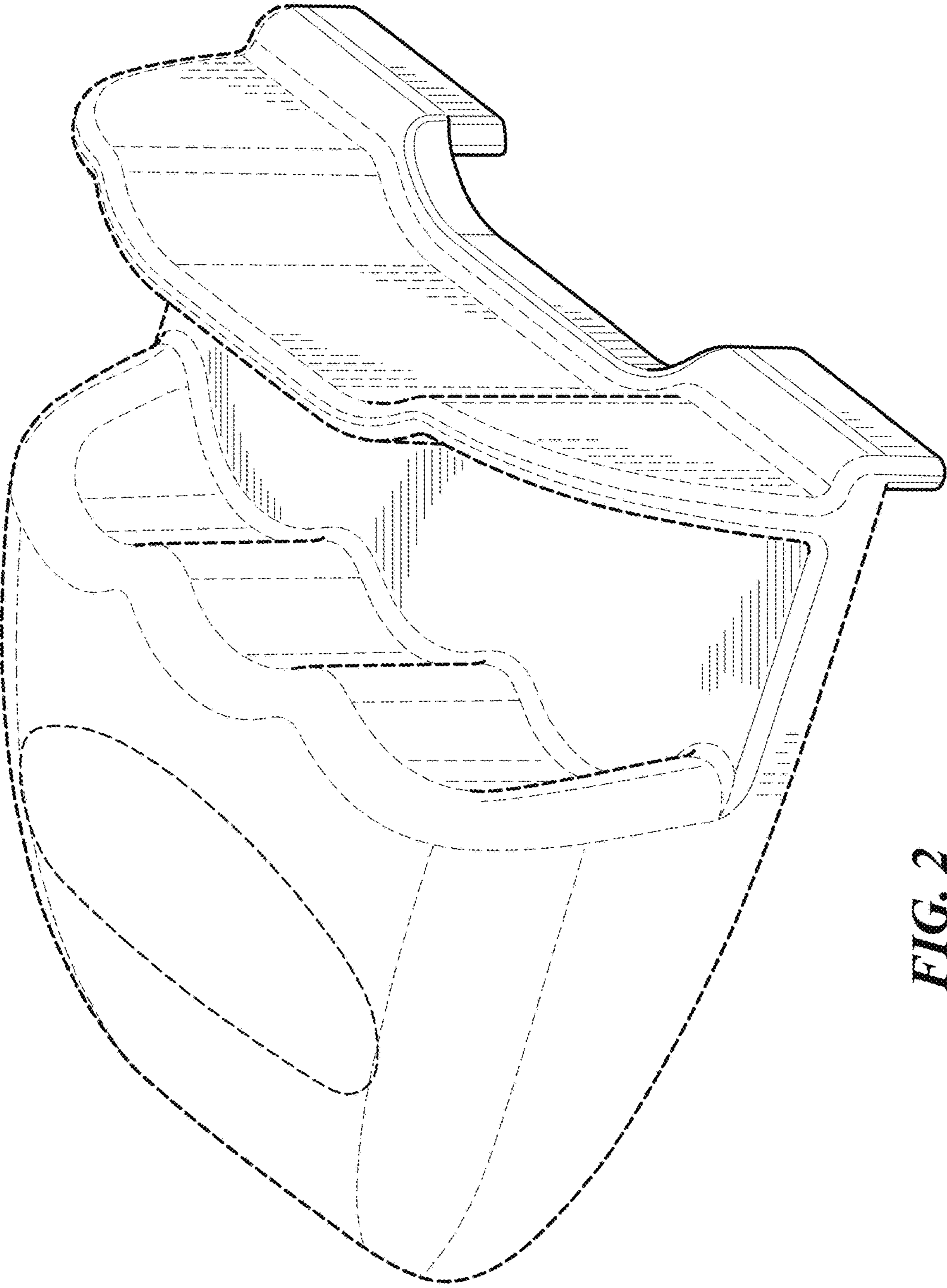


FIG. 2

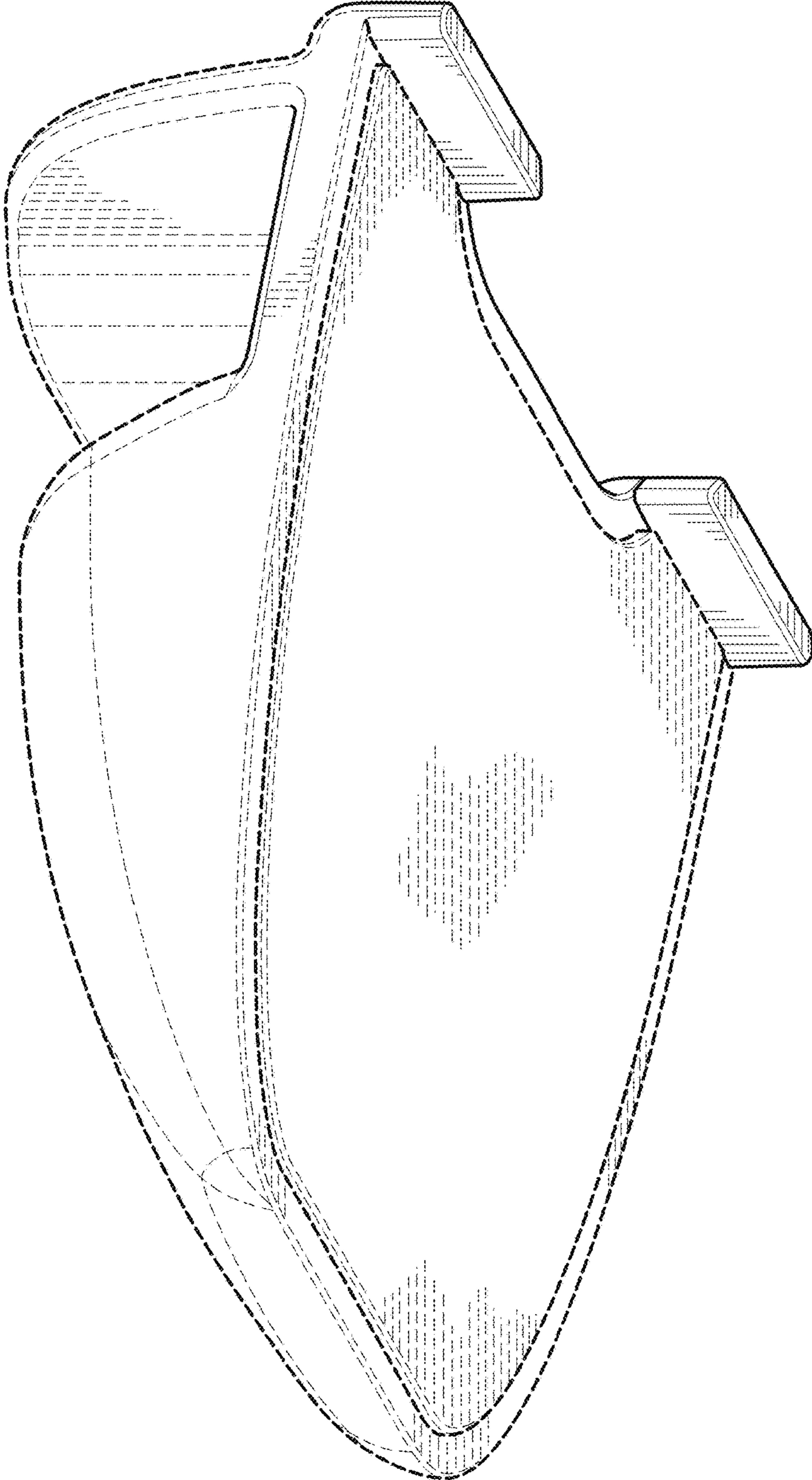


FIG. 3

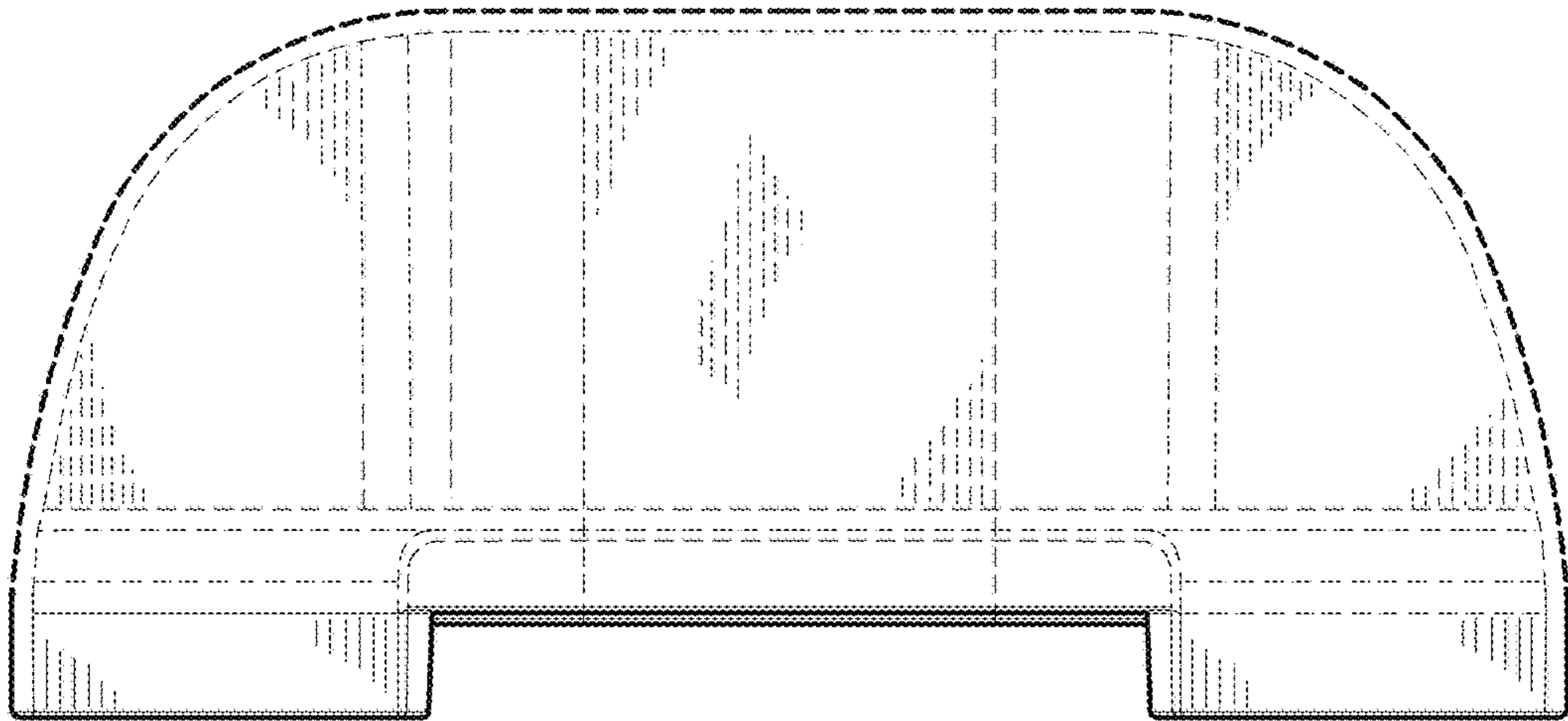


FIG. 4

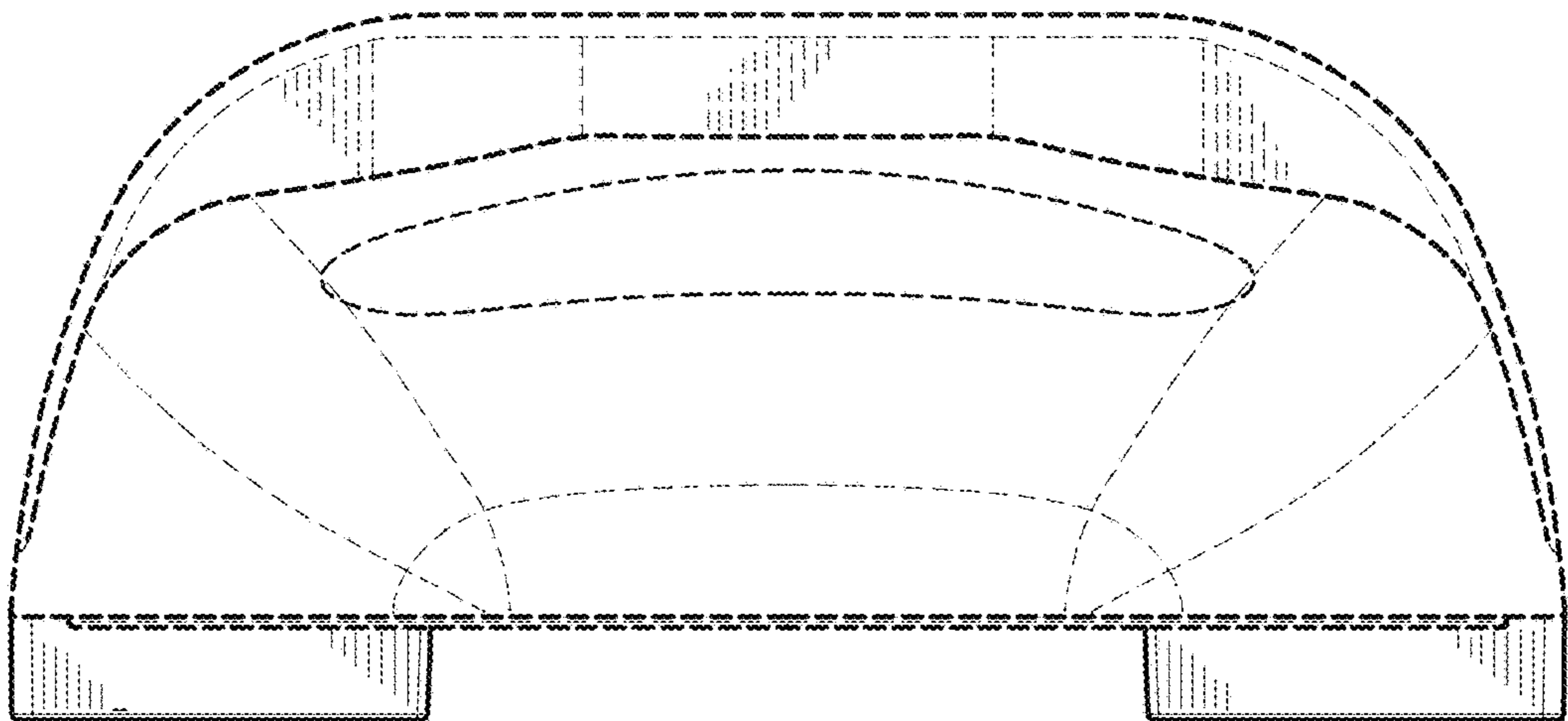


FIG. 5

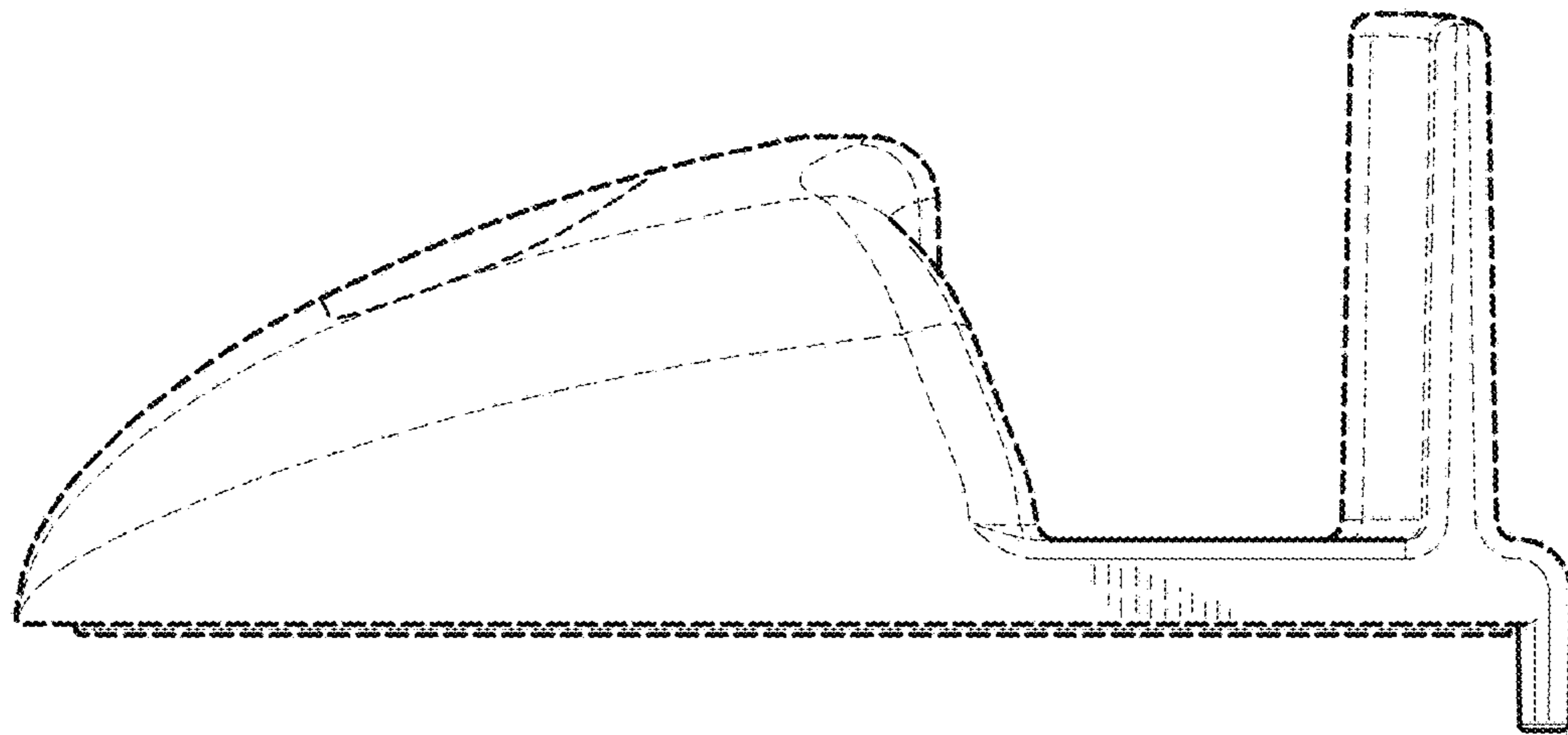


FIG. 6

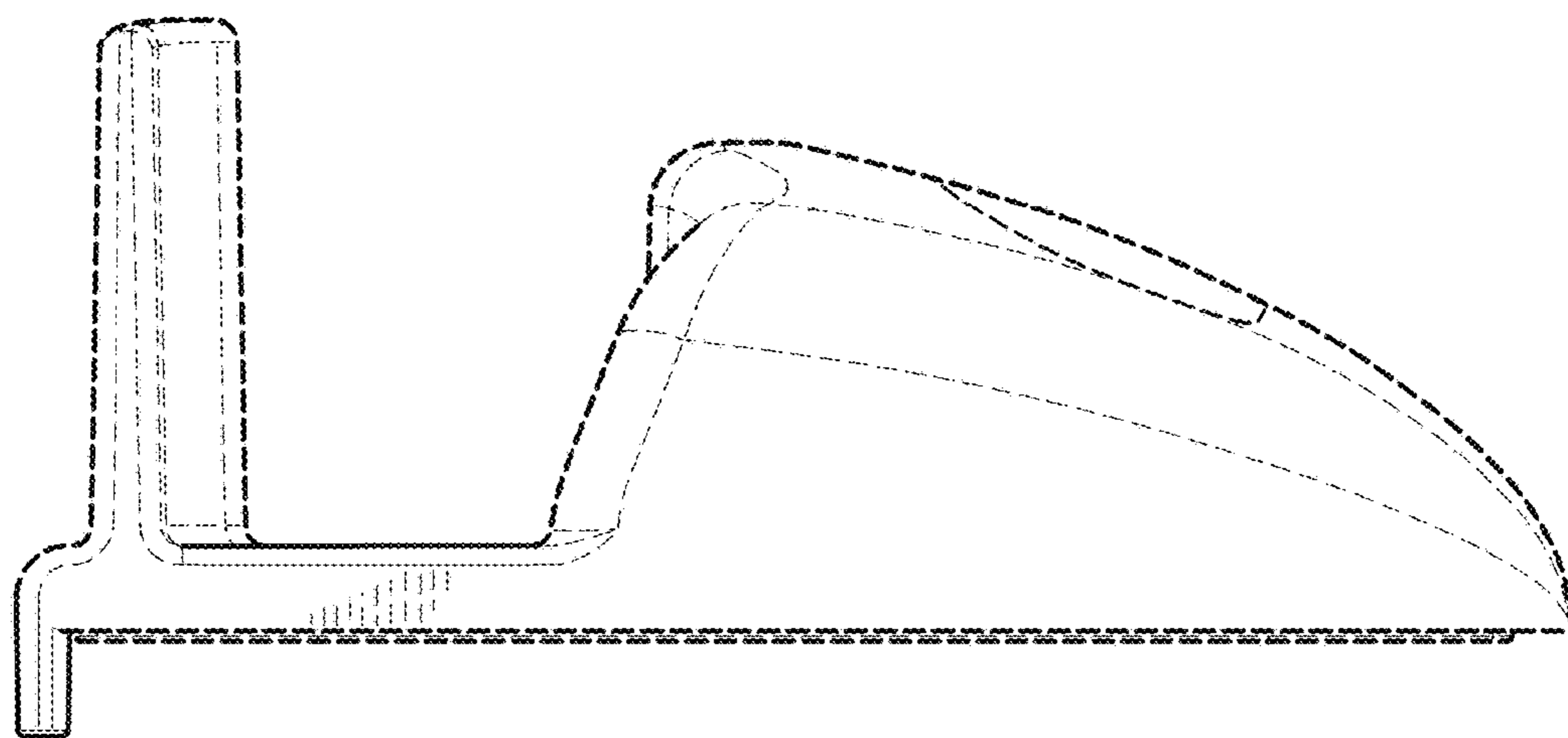


FIG. 7

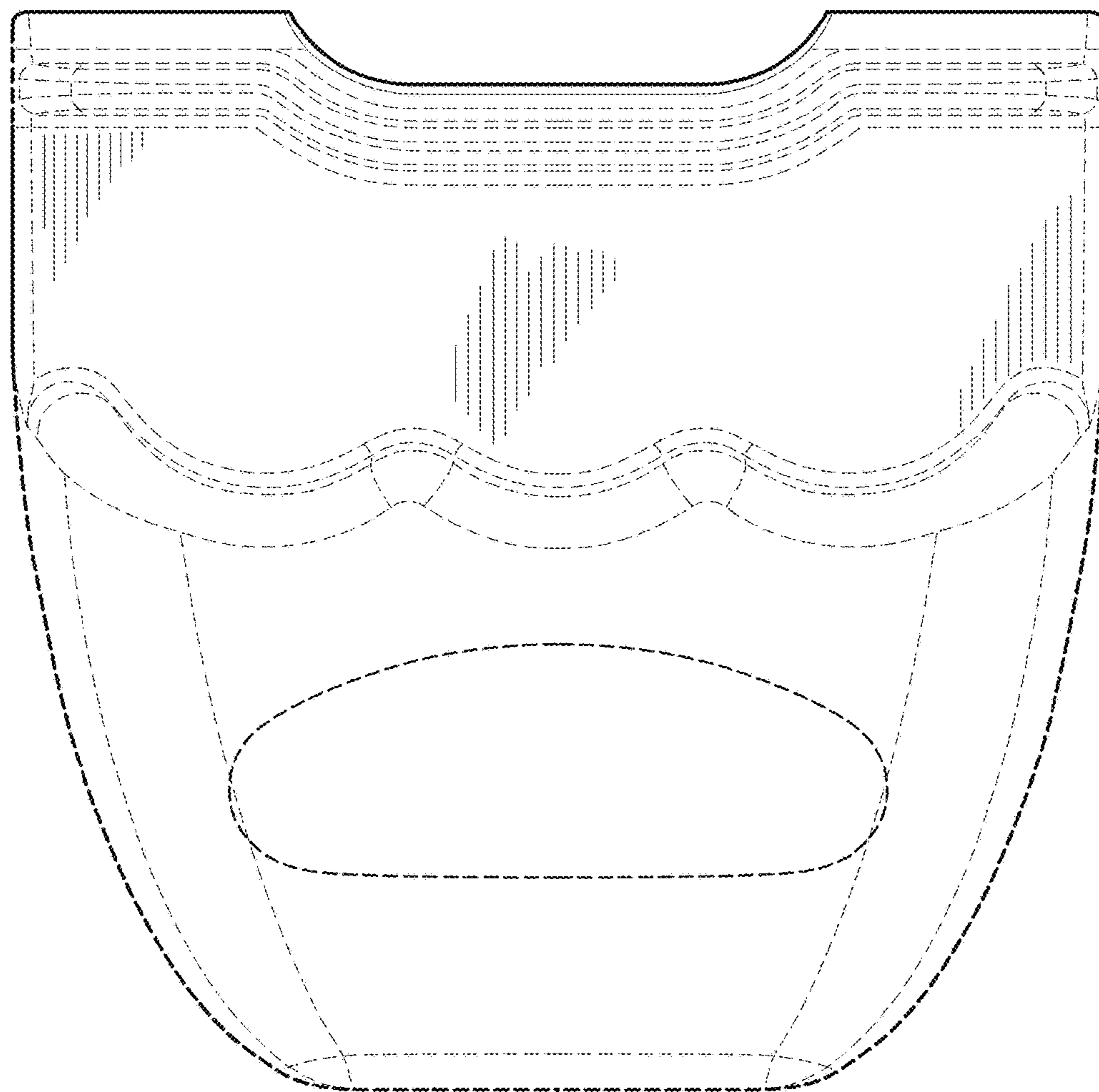


FIG. 8

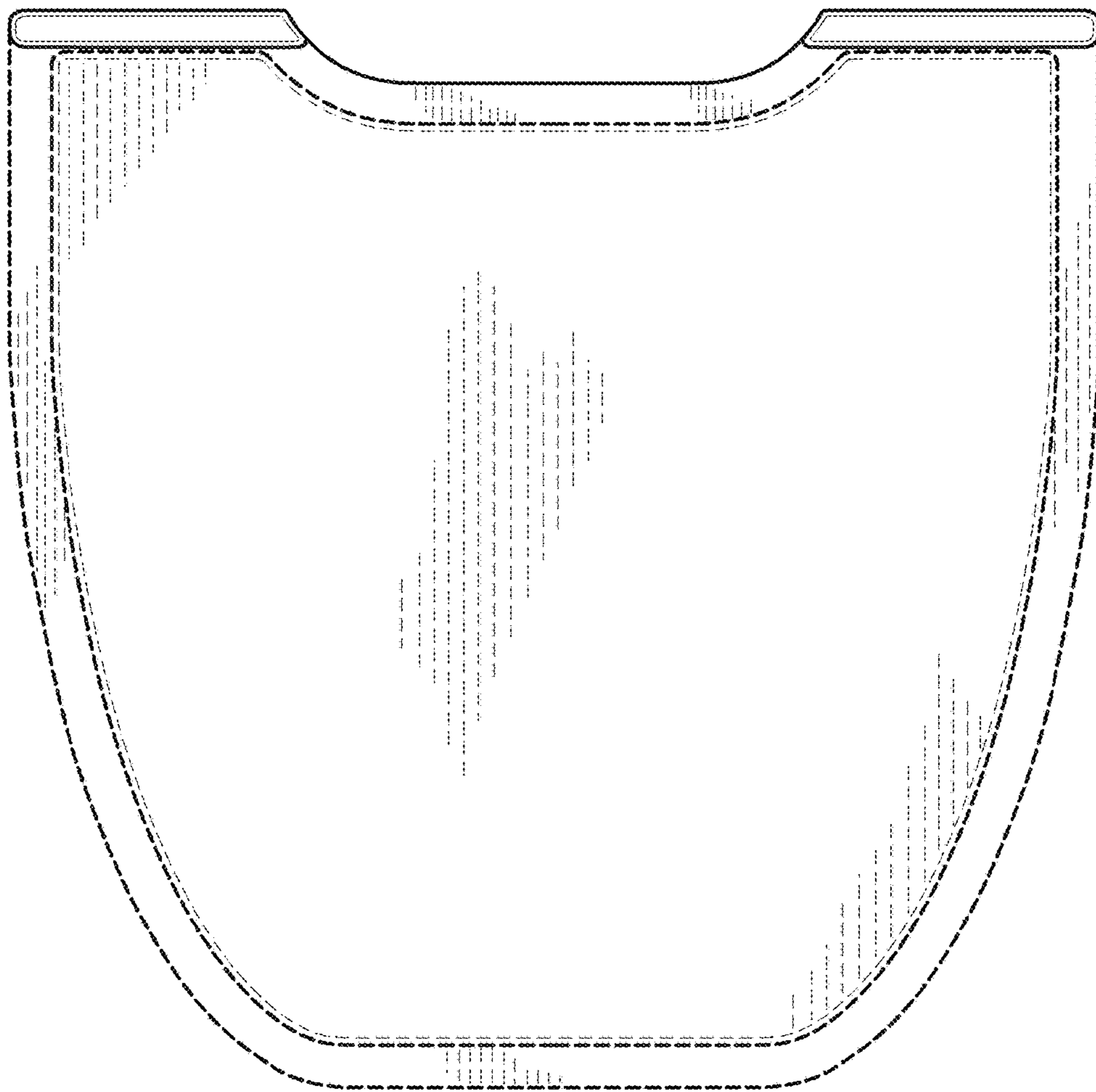


FIG. 9