



US00D795094S

(12) **United States Design Patent**  
**Alla**

(10) **Patent No.:** **US D795,094 S**

(45) **Date of Patent:** **\*\* Aug. 22, 2017**

(54) **THERMOMETER**

FOREIGN PATENT DOCUMENTS

(71) Applicant: **Alla France**, Chemille Melay (FR)

EM 002752204-0001 8/2015

(72) Inventor: **Jean-Marc Alla**, Chanzeaux (FR)

\* cited by examiner

(73) Assignee: **Alla France**, Chemille Melay (FR)

*Primary Examiner* — Antoine D Davis

(\*\*) Term: **15 Years**

(74) *Attorney, Agent, or Firm* — Locke Lord LLP

(21) Appl. No.: **29/573,825**

(22) Filed: **Aug. 10, 2016**

(51) **LOC (10) Cl.** ..... **10-04**

(52) **U.S. Cl.**  
USPC ..... **D10/57**

(58) **Field of Classification Search**

USPC ..... D10/57  
CPC ..... G01K 1/02; G01K 1/022; G01K 1/024;  
G01K 1/08; G01K 1/083; G01K 1/086;  
G01K 3/00-3/14; G01K 2003/145; G01K  
13/002; G01K 13/004; G01K 2219/00;  
G01K 5/04-5/225; G01K 5/22; G01K  
221/00

See application file for complete search history.

(56) **References Cited**

U.S. PATENT DOCUMENTS

D502,414 S \* 3/2005 Shibata ..... D10/57  
D565,438 S \* 4/2008 Serre ..... D10/57  
D766,113 S \* 9/2016 Dohi ..... D10/57

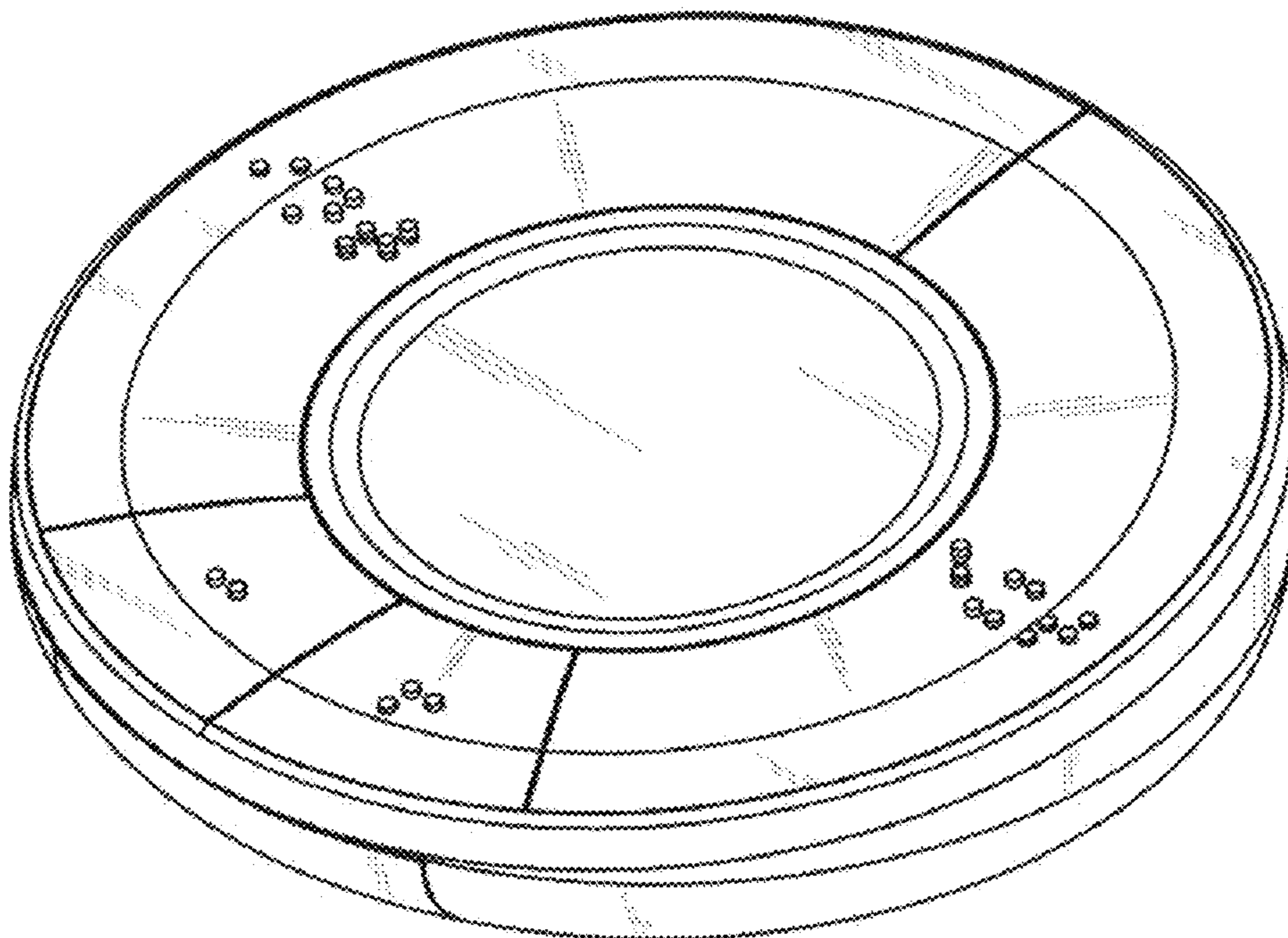
(57) **CLAIM**

The ornamental design for a thermometer, as shown and described.

**DESCRIPTION**

FIG. 1 is a perspective view of the thermometer.  
FIG. 2 is a front elevation view of the thermometer.  
FIG. 3 is a rear elevation view of the thermometer.  
FIG. 4 is a top plan view of the thermometer.  
FIG. 5 is a bottom plan view of the thermometer.  
FIG. 6 is a left elevation view of the thermometer; and,  
FIG. 7 is a right elevation view of the thermometer.

**1 Claim, 5 Drawing Sheets**



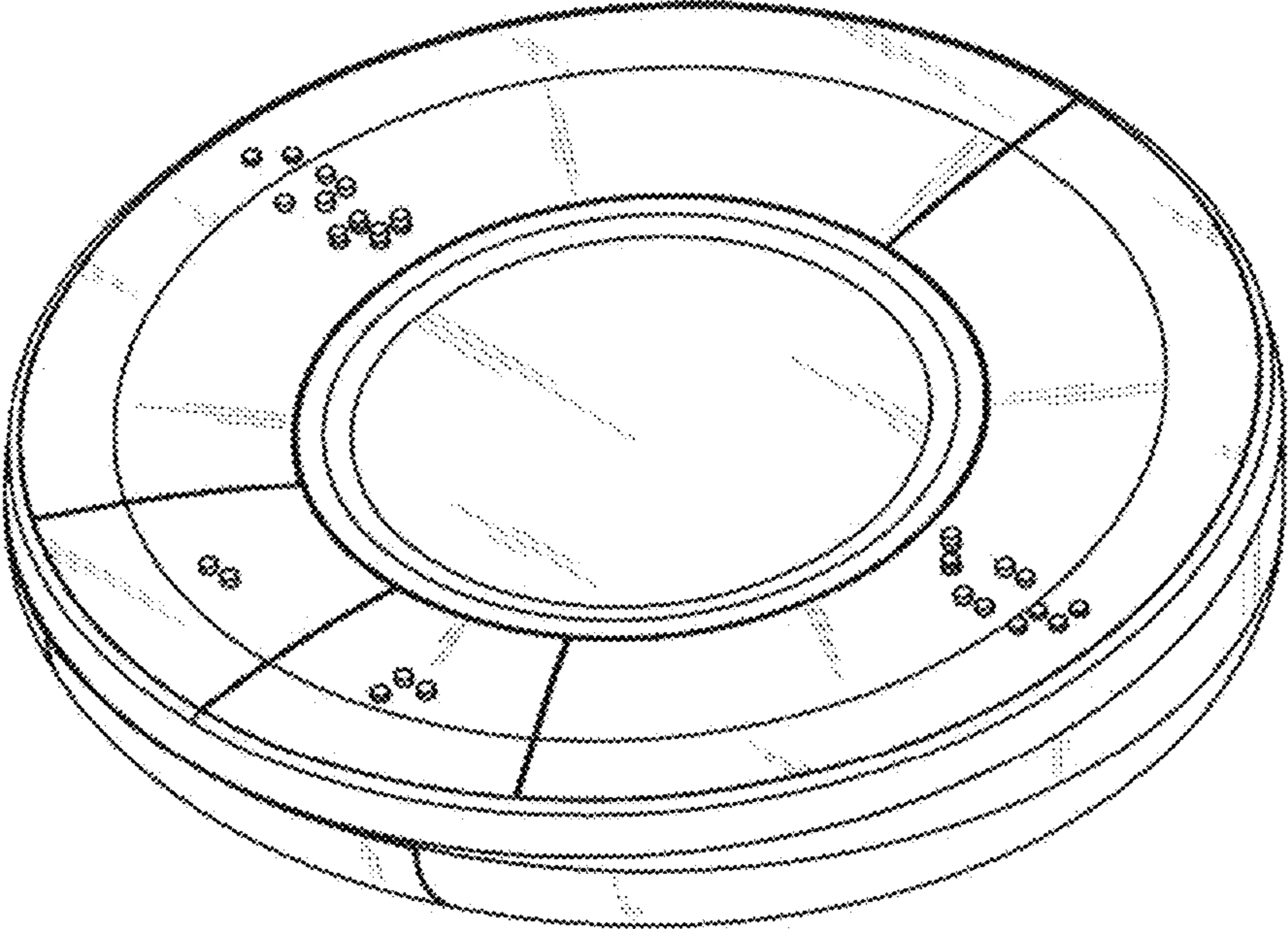


FIG. 1

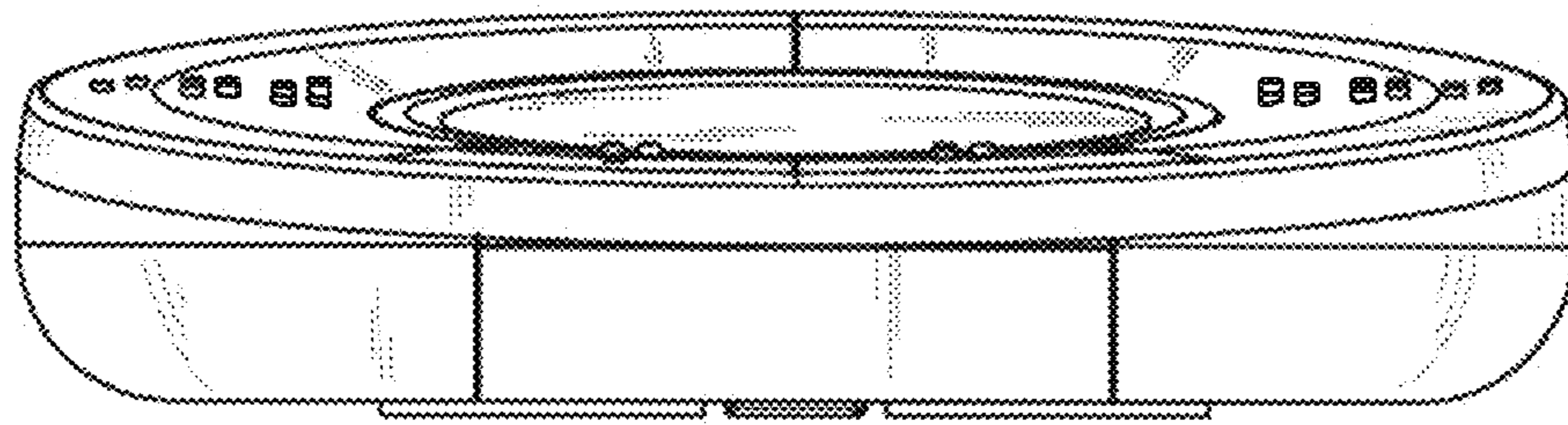


FIG. 2

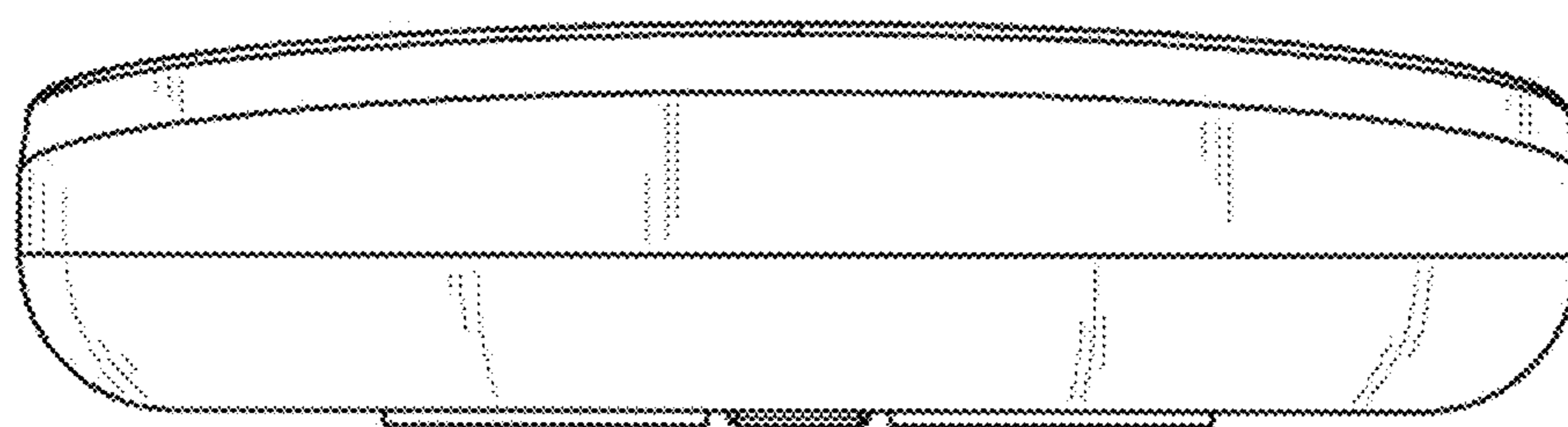


FIG. 3

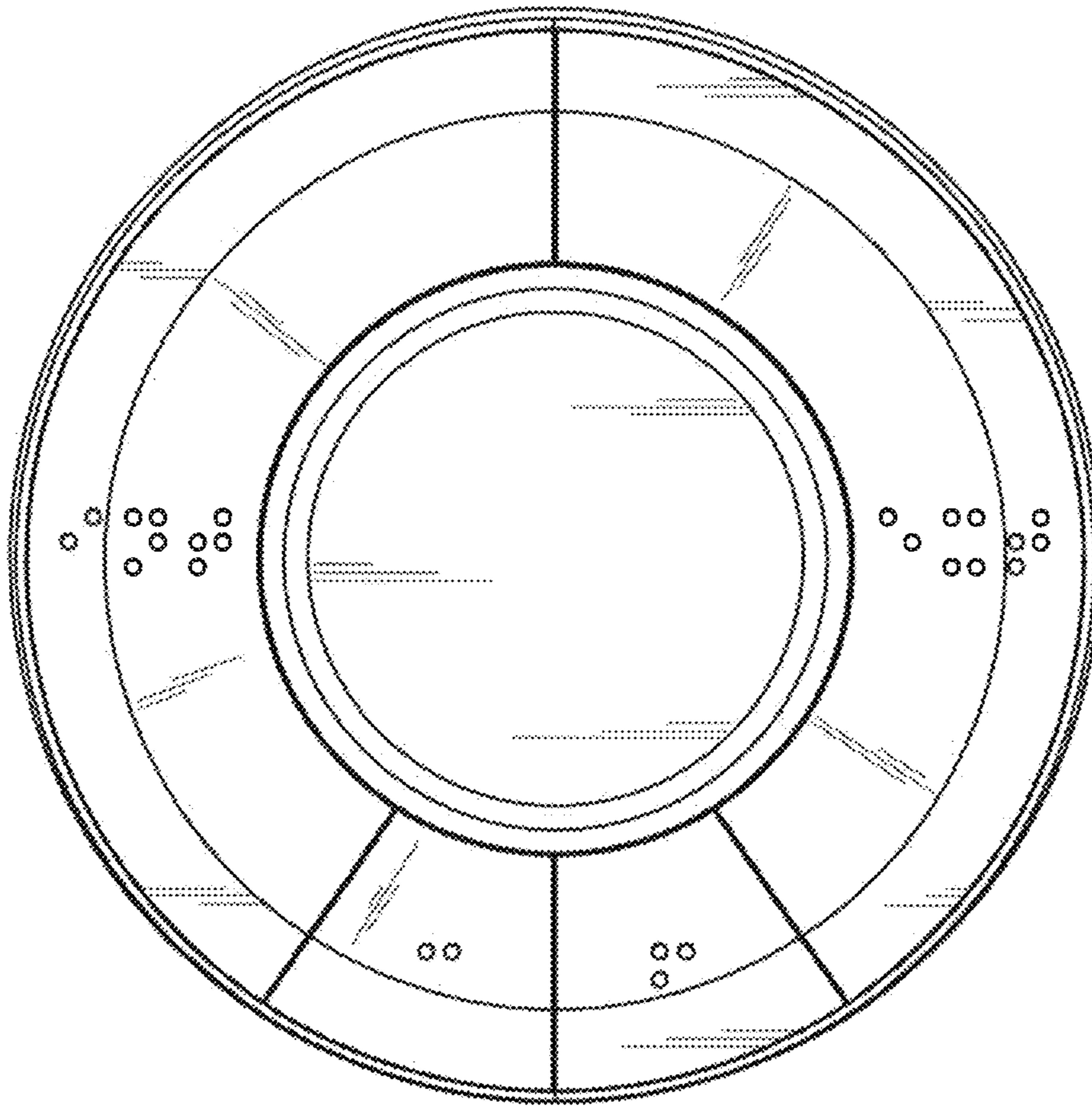


FIG. 4

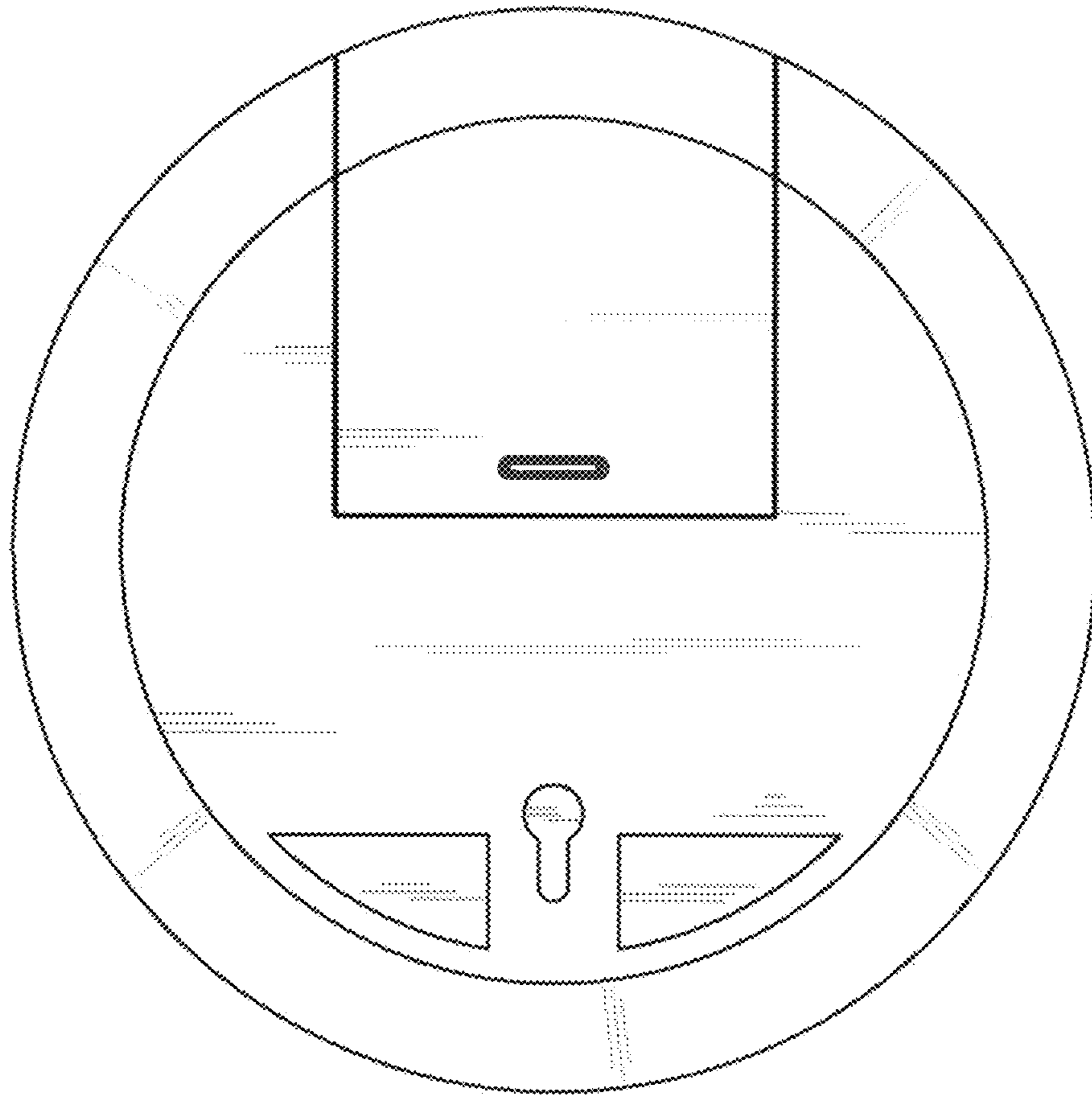


FIG. 5

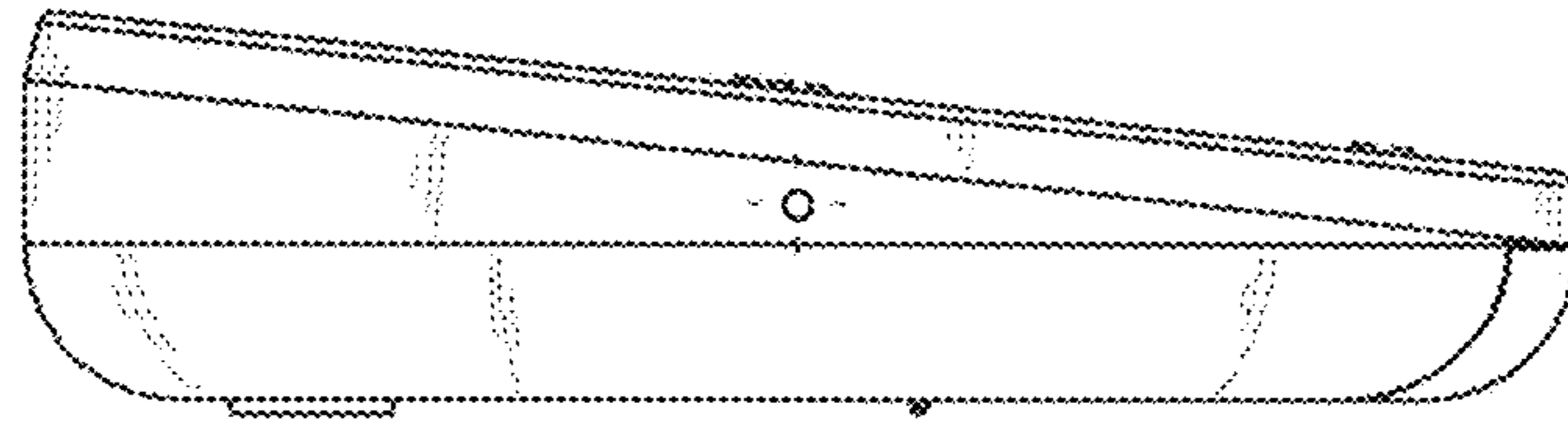


FIG. 6

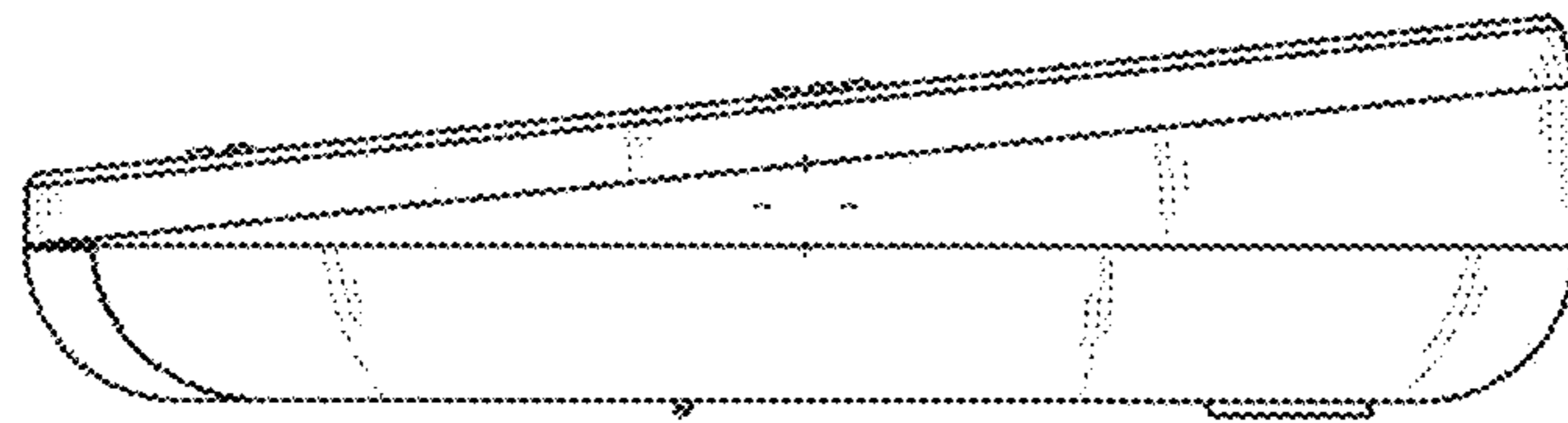


FIG. 7