



US00D795093S

(12) **United States Design Patent** (10) **Patent No.:** **US D795,093 S**  
**Stanton et al.** (45) **Date of Patent:** **\*\* Aug. 22, 2017**

(54) **THERMOMETER**

D774,405 S \* 12/2016 Manda ..... D10/57

(71) Applicants: **Jacob Alan Stanton**, Chicago, IL (US);  
**Carmen O. Lira-Nunez**, Downers Grove, IL (US)

\* cited by examiner

*Primary Examiner* — Antoine D Davis

(72) Inventors: **Jacob Alan Stanton**, Chicago, IL (US);  
**Carmen O. Lira-Nunez**, Downers Grove, IL (US)

(74) *Attorney, Agent, or Firm* — Vitale Vickrey Niro & Gasey

(73) Assignee: **Weber-Stephen Products LLC**, Palatine, IL (US)

(57) **CLAIM**

The ornamental design for a thermometer, as shown and described in the following Figures.

(\*\*) Term: **15 Years**

**DESCRIPTION**

(21) Appl. No.: **29/556,194**

(22) Filed: **Feb. 29, 2016**

(51) **LOC (10) Cl.** ..... **10-04**

(52) **U.S. Cl.**  
USPC ..... **D10/57**

(58) **Field of Classification Search**  
USPC ..... D10/57  
See application file for complete search history.

FIG. 1 is a perspective view of a thermometer of the present invention;  
FIG. 2 is a top view of the thermometer of the present invention;  
FIG. 3 is a front view of the thermometer of the present invention;  
FIG. 4 is a right side view of the thermometer of the present invention;  
FIG. 5 is a rear view of the thermometer of the present invention;  
FIG. 6 is a left side view of the thermometer of the present invention; and,  
FIG. 7 is a bottom view of the thermometer of the present invention.

(56) **References Cited**

**U.S. PATENT DOCUMENTS**

D293,215 S \* 12/1987 Bruno ..... D10/57  
D418,069 S \* 12/1999 Chung ..... D10/57  
D653,130 S \* 1/2012 Borovicka ..... D10/57

**1 Claim, 4 Drawing Sheets**

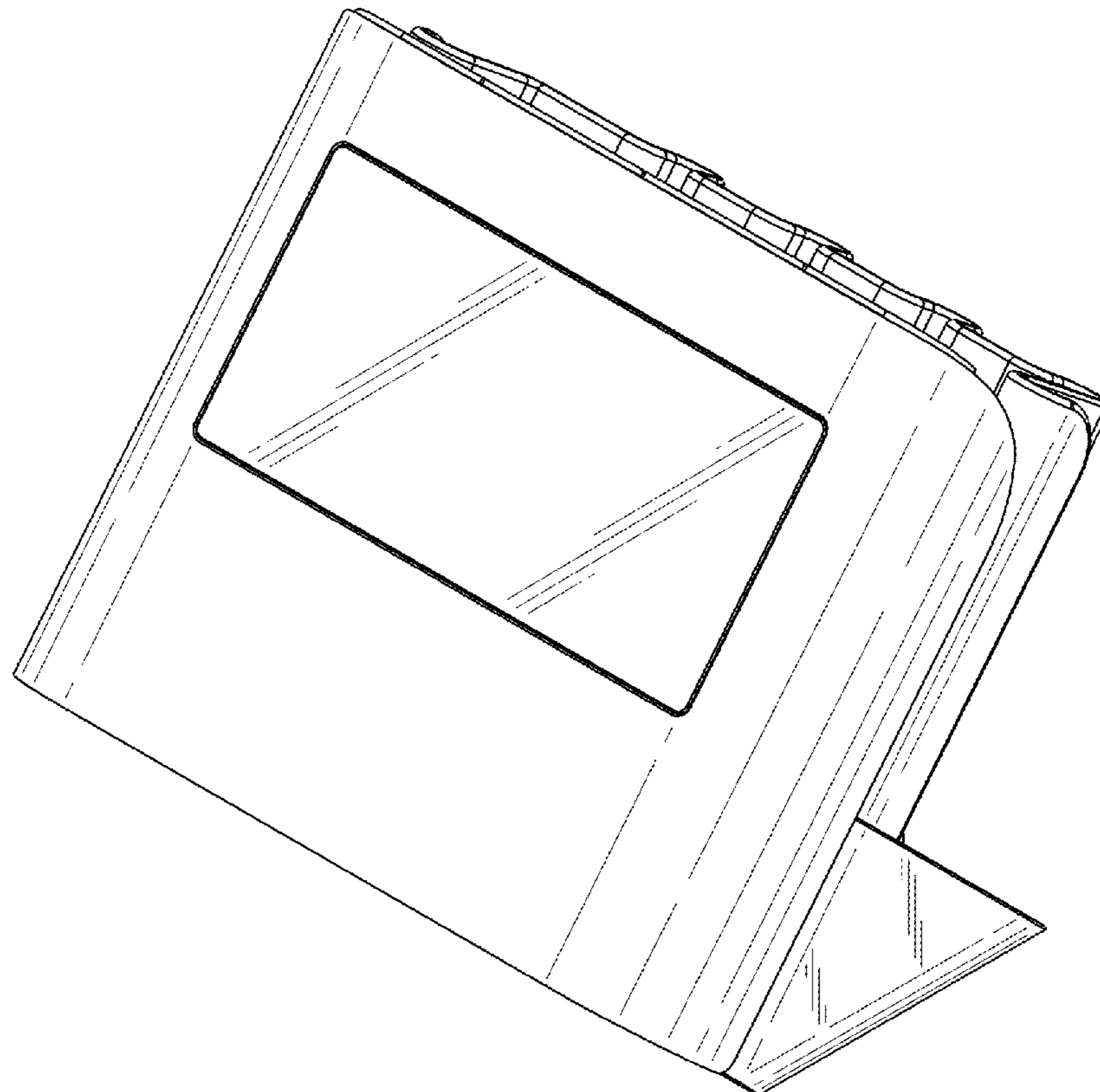


Fig. 1

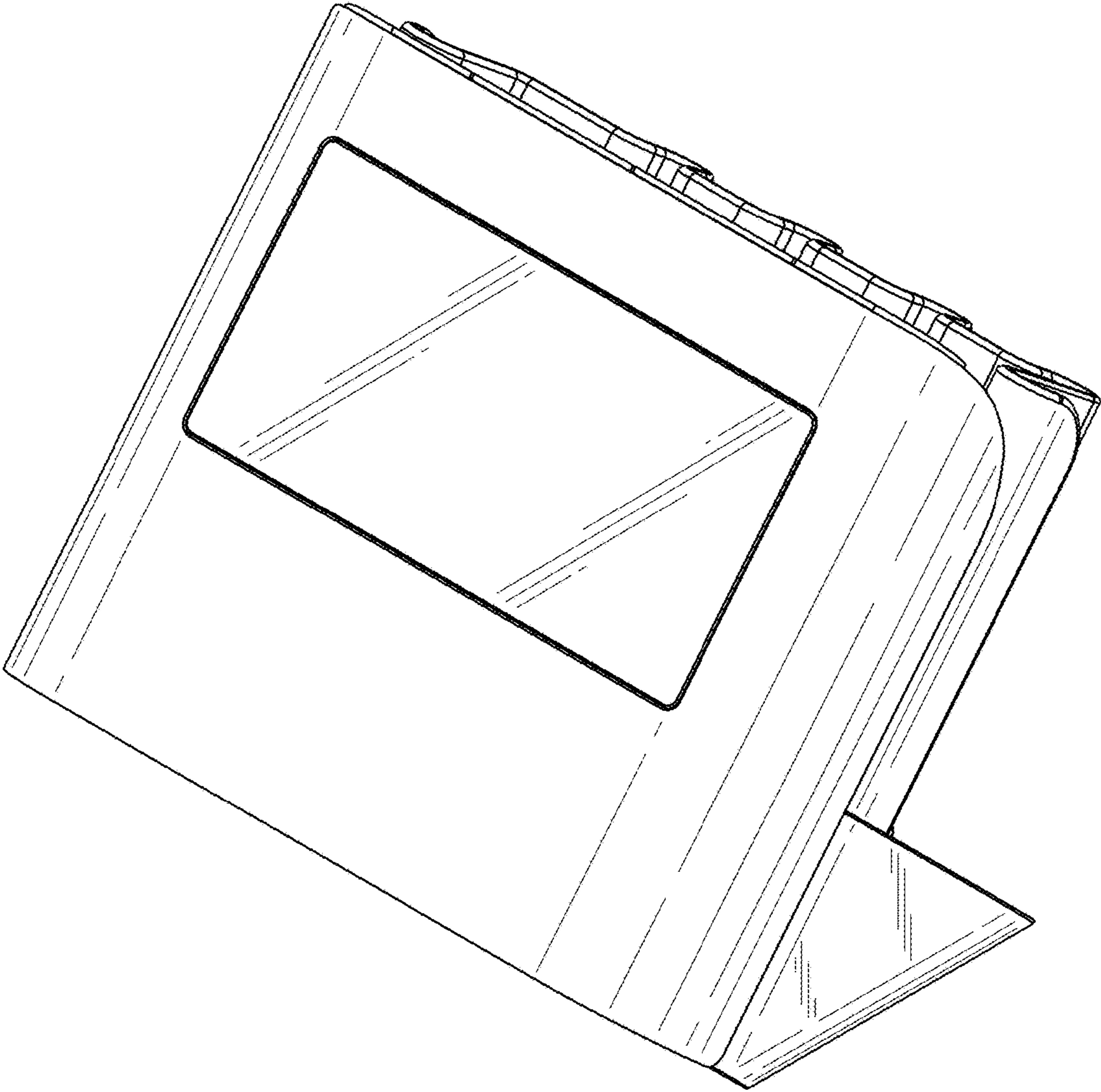


Fig. 2

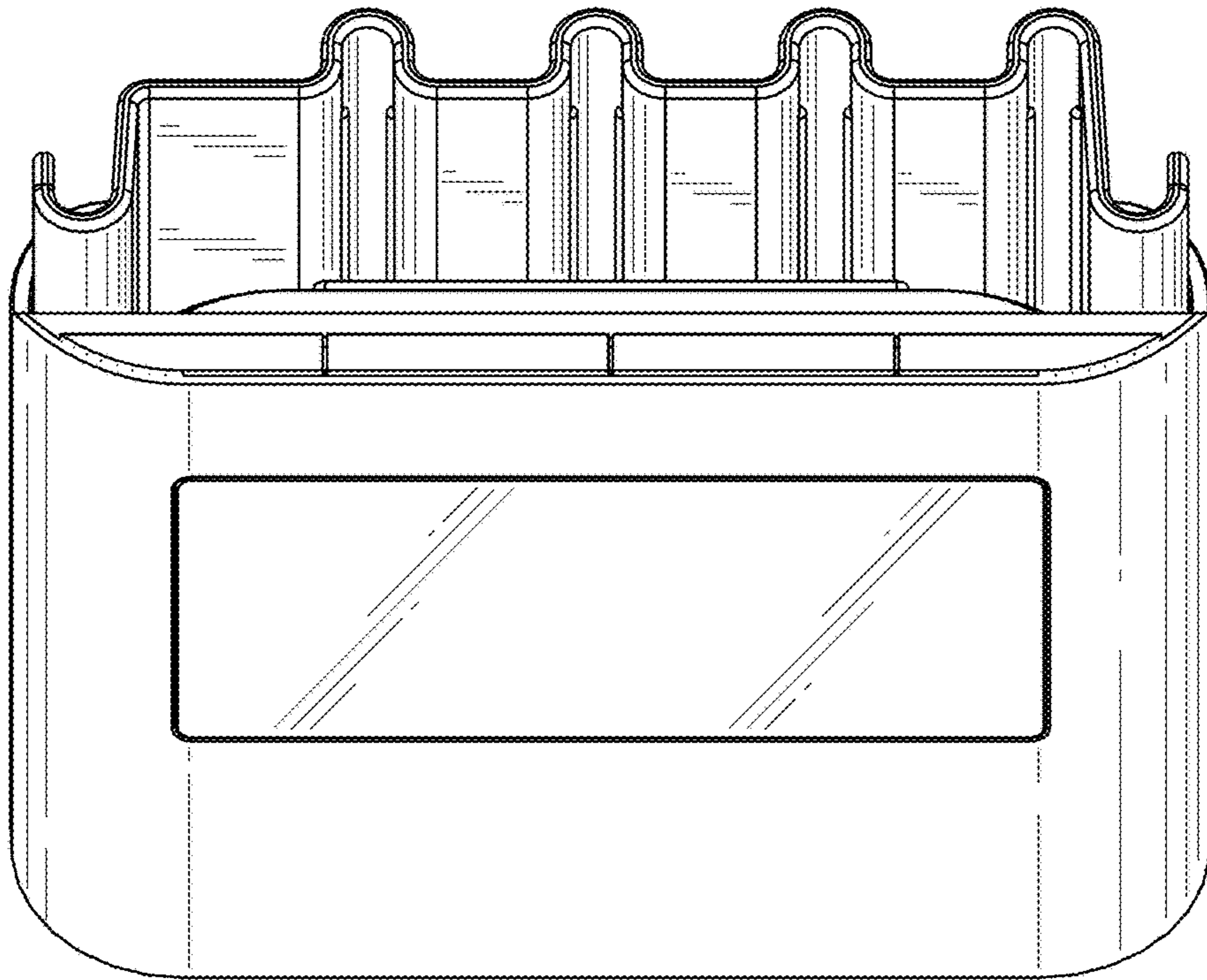


Fig. 3

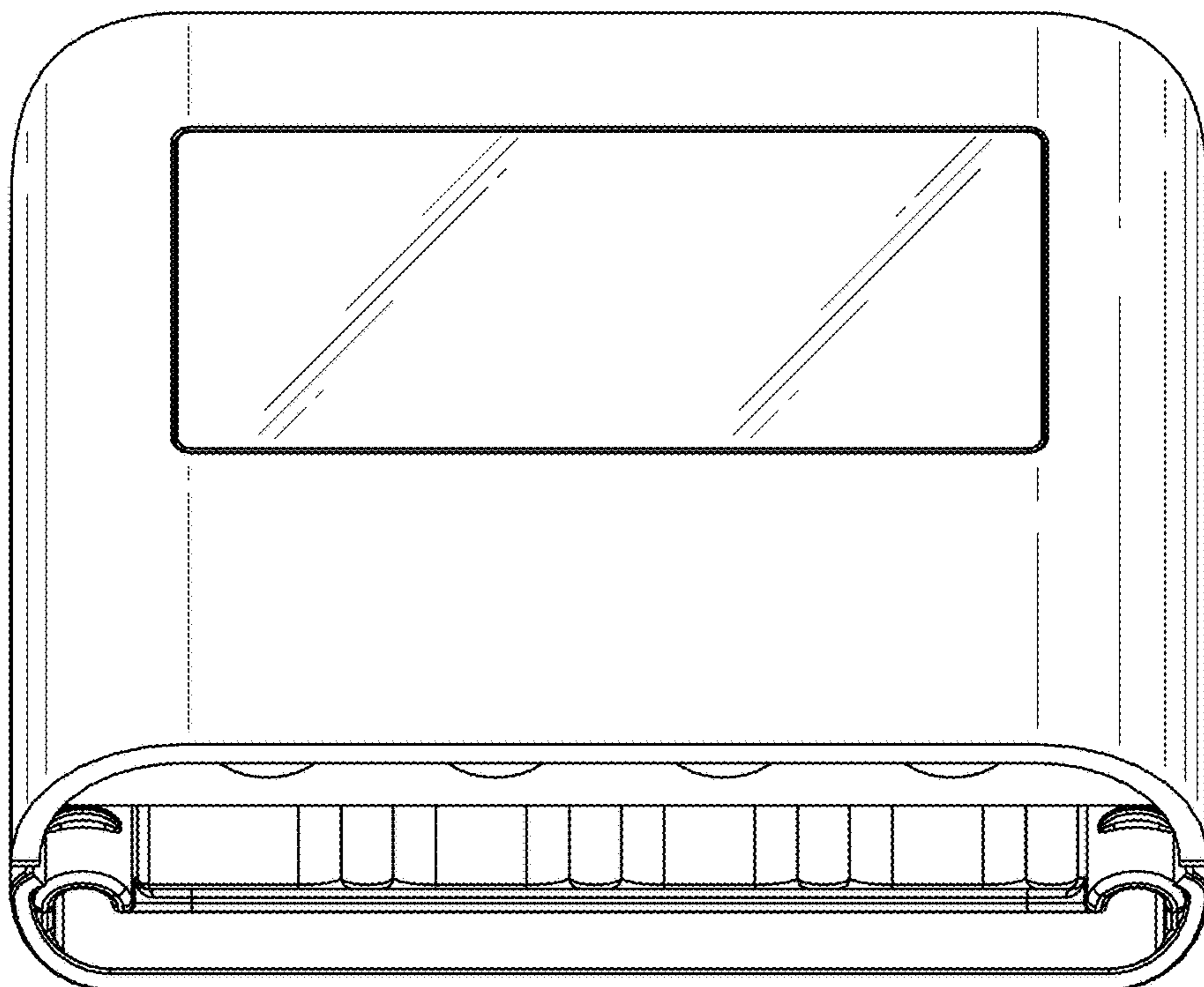


Fig. 4

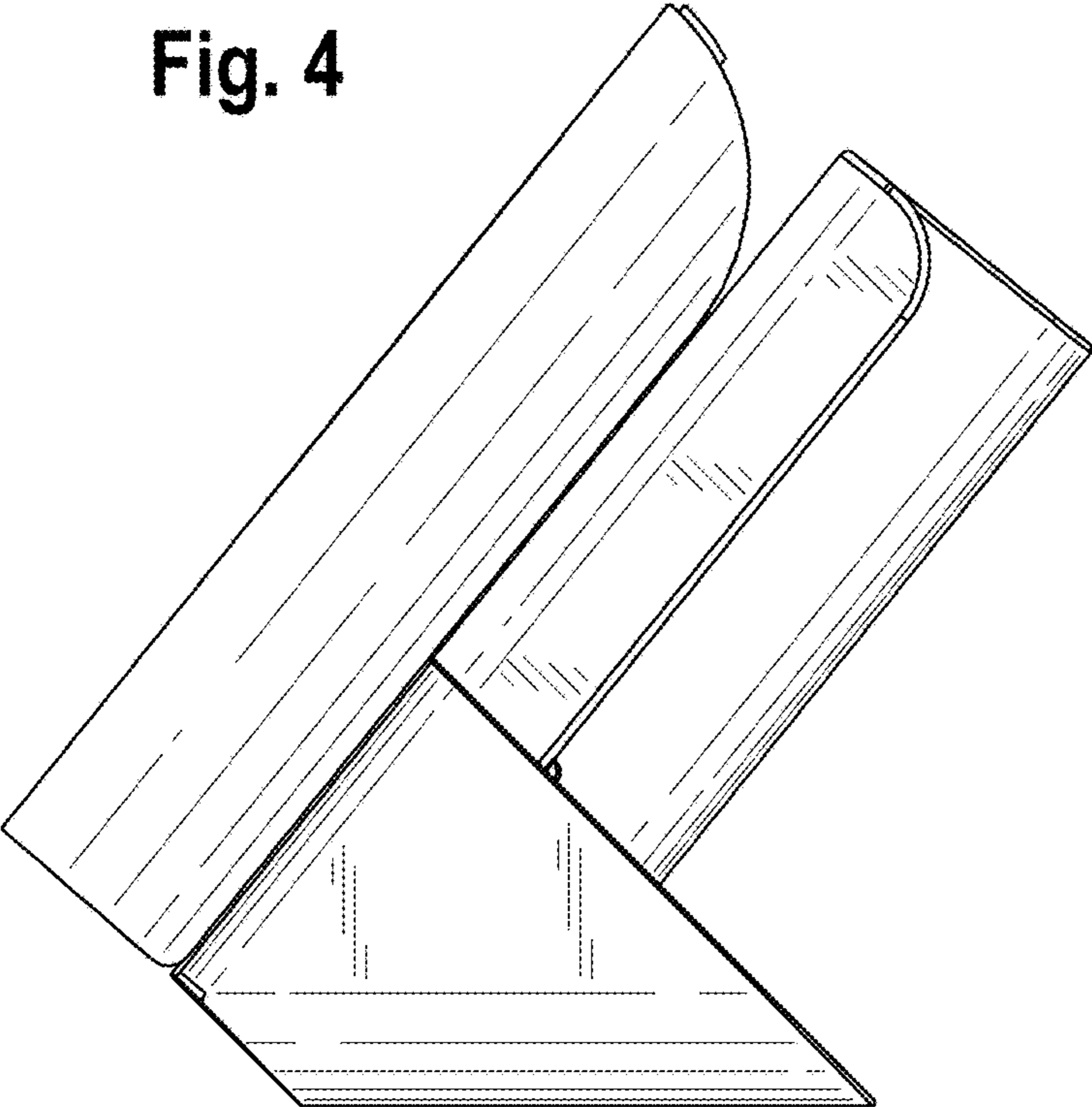
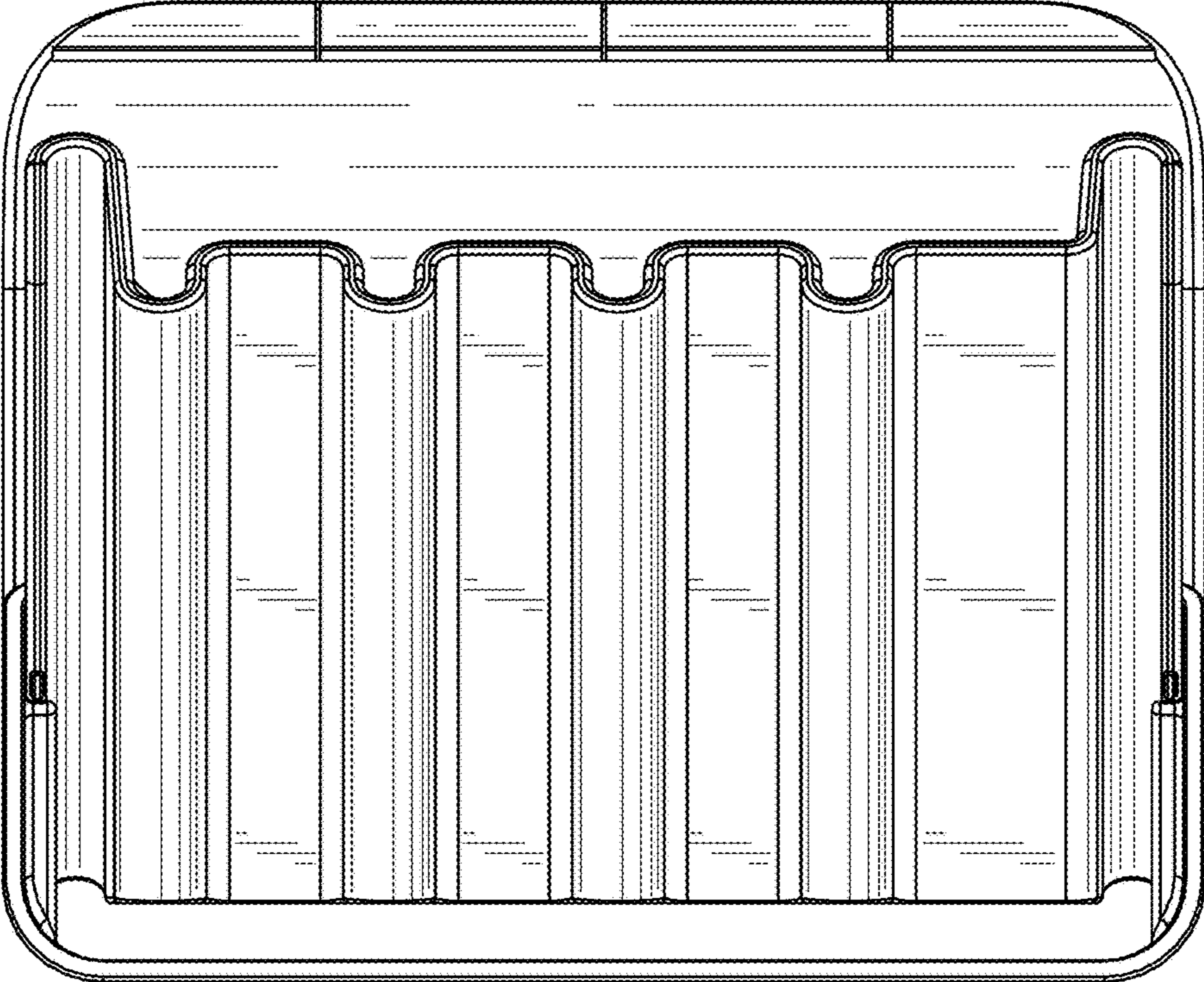
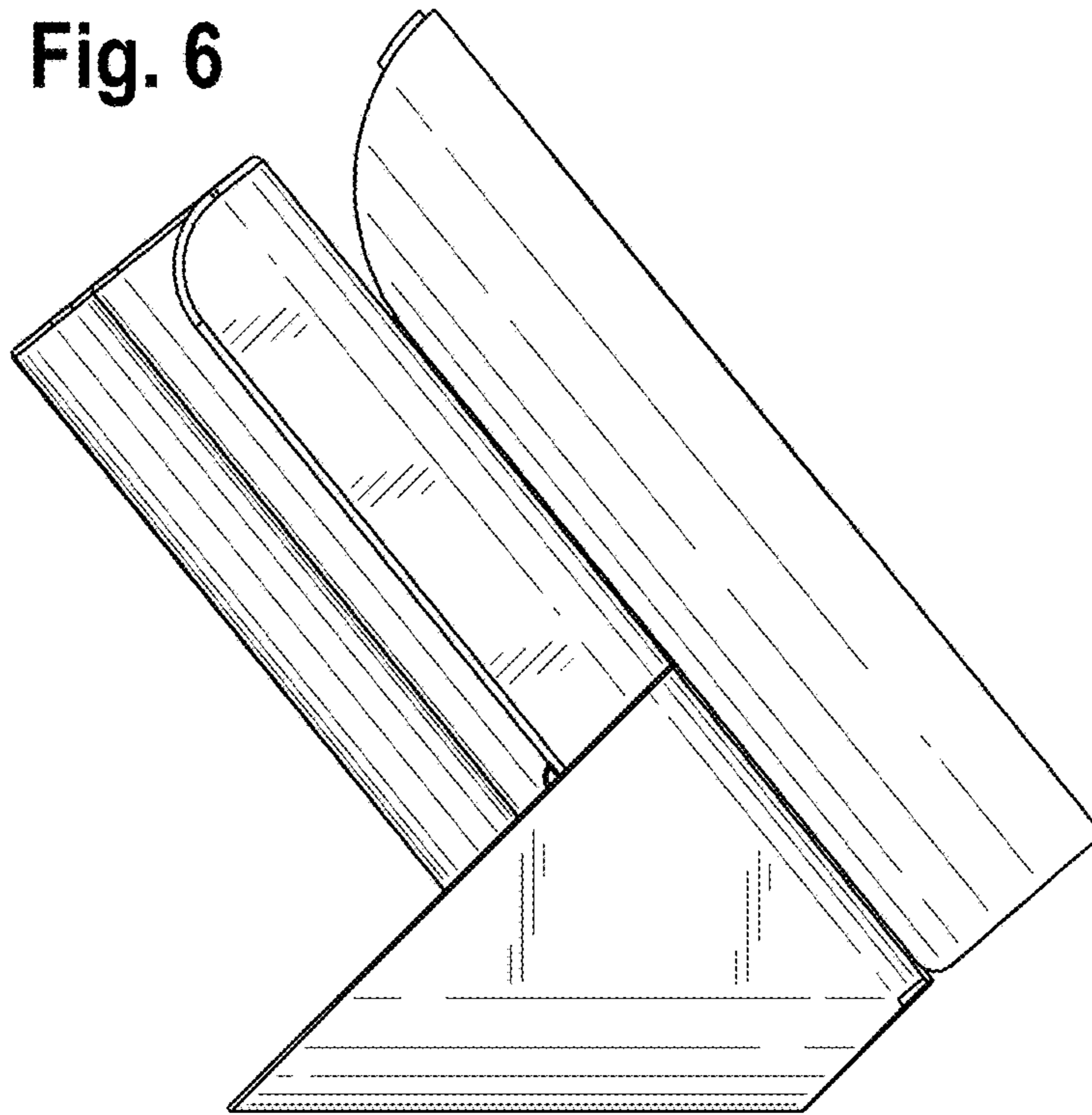


Fig. 5



**Fig. 6**



**Fig. 7**

