



US00D795092S

(12) **United States Design Patent**
Trishaun

(10) **Patent No.:** **US D795,092 S**

(45) **Date of Patent:** **** Aug. 22, 2017**

(54) **CLIMATE SENSOR**

- (71) Applicant: **HipScience, LLC**, Orlando, FL (US)
- (72) Inventor: **Marquette Trishaun**, Orlando, FL (US)
- (73) Assignee: **HipScience, LLC**, Orlando, FL (US)
- (**) Term: **15 Years**

(21) Appl. No.: **29/564,956**

(22) Filed: **May 17, 2016**

(51) **LOC (10) Cl.** **10-04**

(52) **U.S. Cl.**
USPC **D10/53; D10/52**

(58) **Field of Classification Search**
 USPC D10/52, 53
 CPC F24F 11/0012; F24F 2011/20034; F24F 2011/0068; F24F 2011/0071; F24F 2011/0069; F24F 2011/0086; F24F 2011/0091; G05D 23/1927; G05D 23/1928; G05D 23/193; G05D 23/1931; G05D 23/1932; G05D 23/1934; G05D 23/1935

See application file for complete search history.

(56) **References Cited**

U.S. PATENT DOCUMENTS

D377,321 S *	1/1997	Tomizawa	D10/106.5
D747,984 S *	1/2016	Zhao	D10/52
D756,248 S *	5/2016	Rosenberg	D10/52
D764,320 S *	8/2016	Li	D10/50
2012/0130548 A1 *	5/2012	Fadell	F24F 11/0012 700/278

OTHER PUBLICATIONS

IoT made easy, Simplelink Sensor Tag—TI.com, retrieved May 13, 2016, <http://www.ti.com/ww/en/wirelessconnectivity/sensortag2015/tearDown.html>, 3 pages.
 Environmental and Biometric Sensor Puck with Bluetooth Low Energy and iOS/Android App, retrieved May 13, 2016, <https://www.silabs.com/products/sensors/Pages/environmental-biometric-sensor-puck.aspx>, 4 pages.

* cited by examiner

Primary Examiner — Antoine D Davis

(74) *Attorney, Agent, or Firm* — Brian S. Steinberger; Law Offices of Brian S. Steinberger, P.A.

(57) **CLAIM**

The ornamental design for a climate sensor, as shown and described.

DESCRIPTION

FIG. 1 is an upper front perspective view of the novel climate sensor.
 FIG. 2 is a lower front perspective view of the sensor of FIG. 1.
 FIG. 3 is an upper rear perspective view of the novel sensor of FIG. 1.
 FIG. 4 is a lower rear perspective view of the novel sensor of FIG. 1.
 FIG. 5 is a front side view of the sensor of FIG. 1.
 FIG. 6 is a rear side view of the sensor of FIG. 1.
 FIG. 7 is a right side view of the sensor of FIG. 1.
 FIG. 8 is a left side view of the sensor of FIG. 1.
 FIG. 9 is a top view of the sensor of FIG. 1; and,
 FIG. 10 is a bottom view of the sensor of FIG. 1.

1 Claim, 10 Drawing Sheets

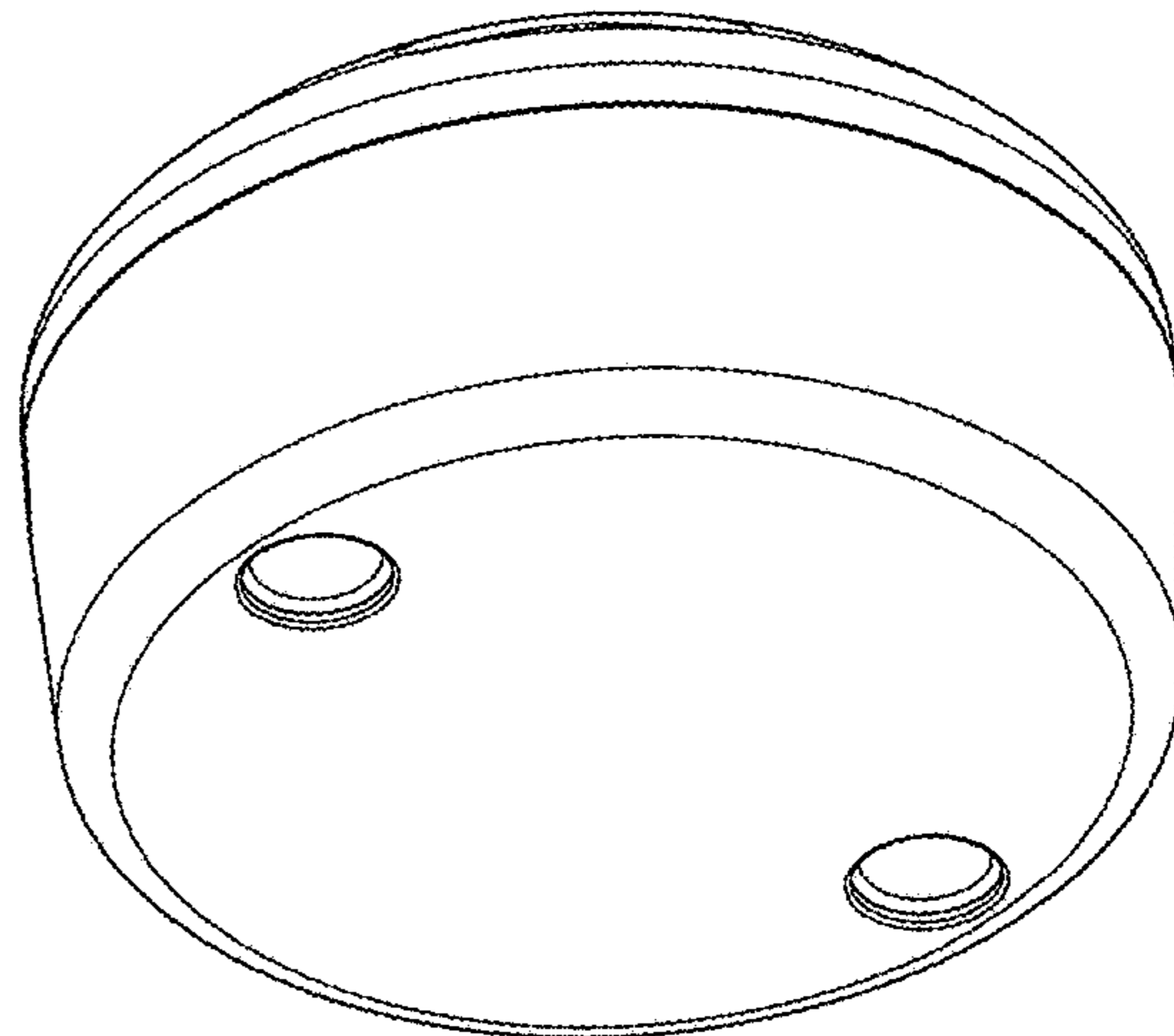
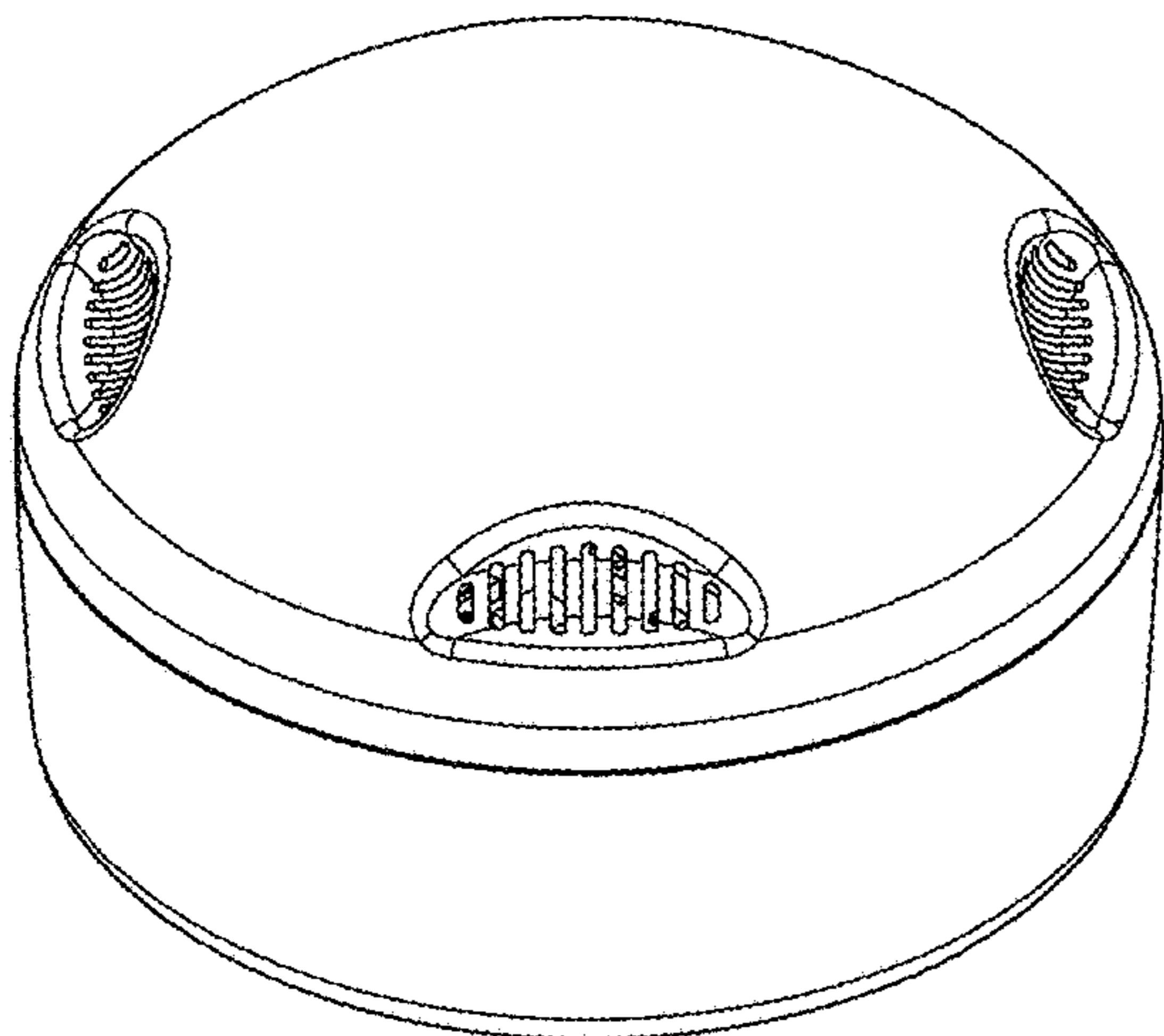


FIG. 1

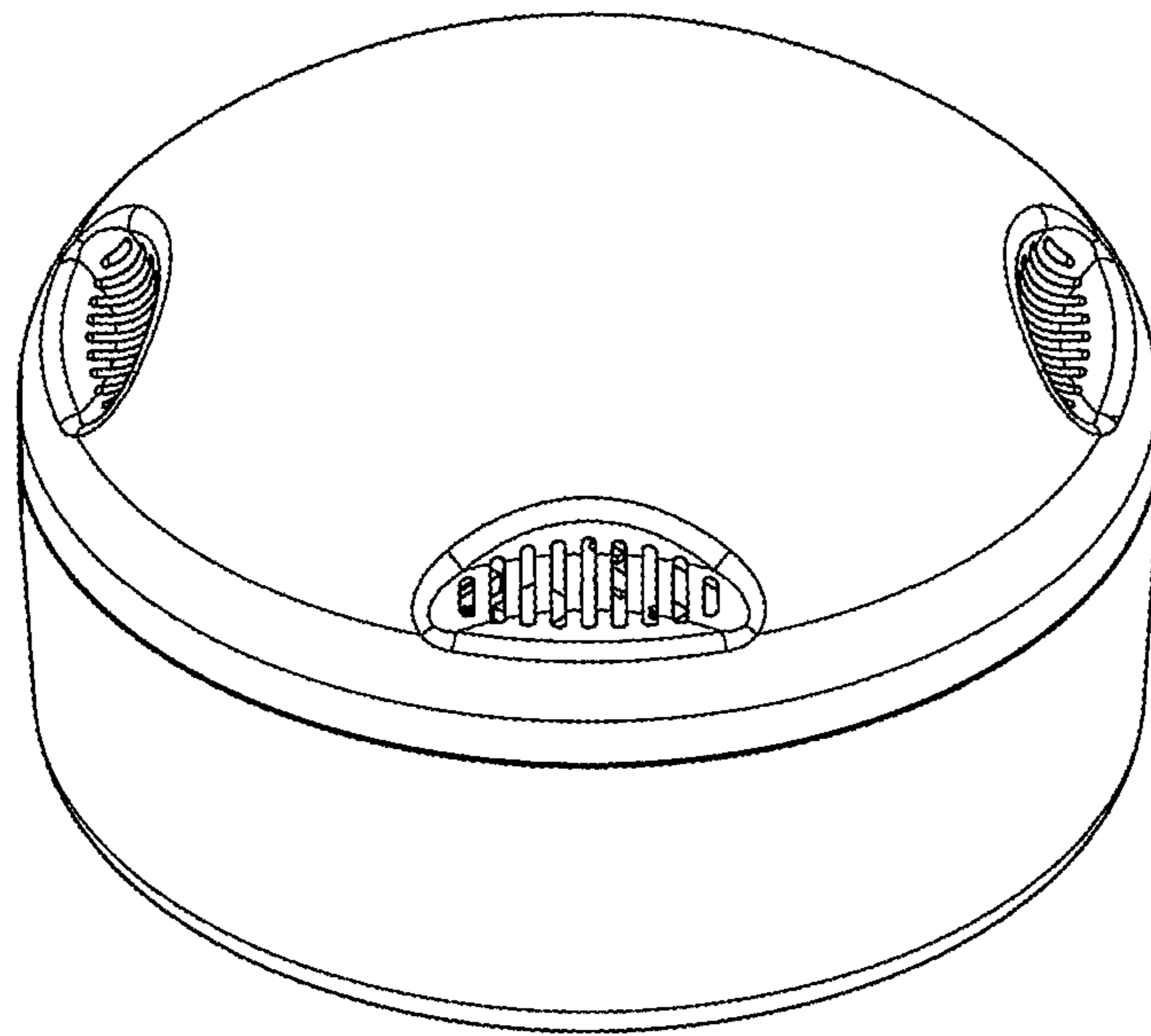


FIG. 2

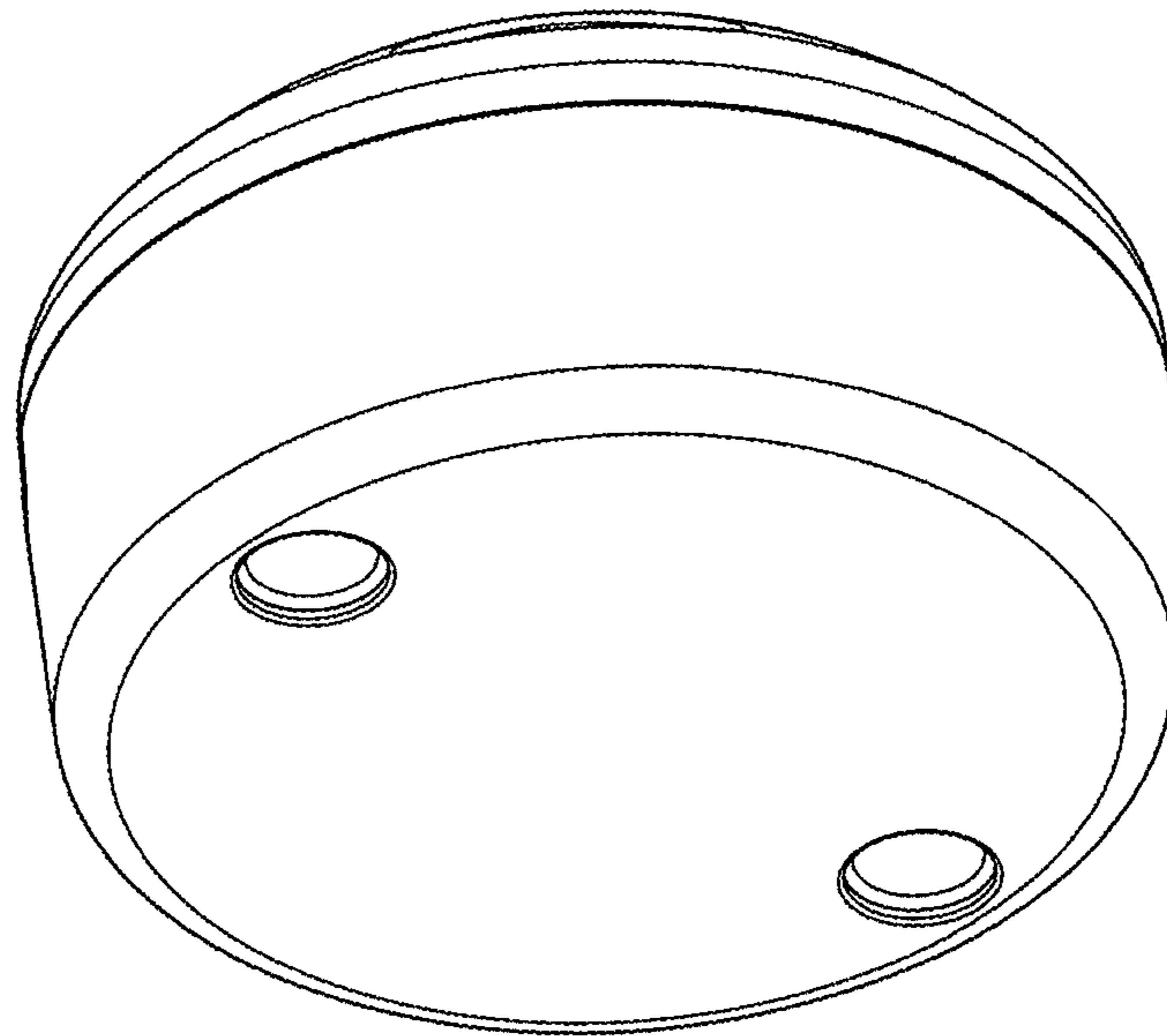


FIG. 3

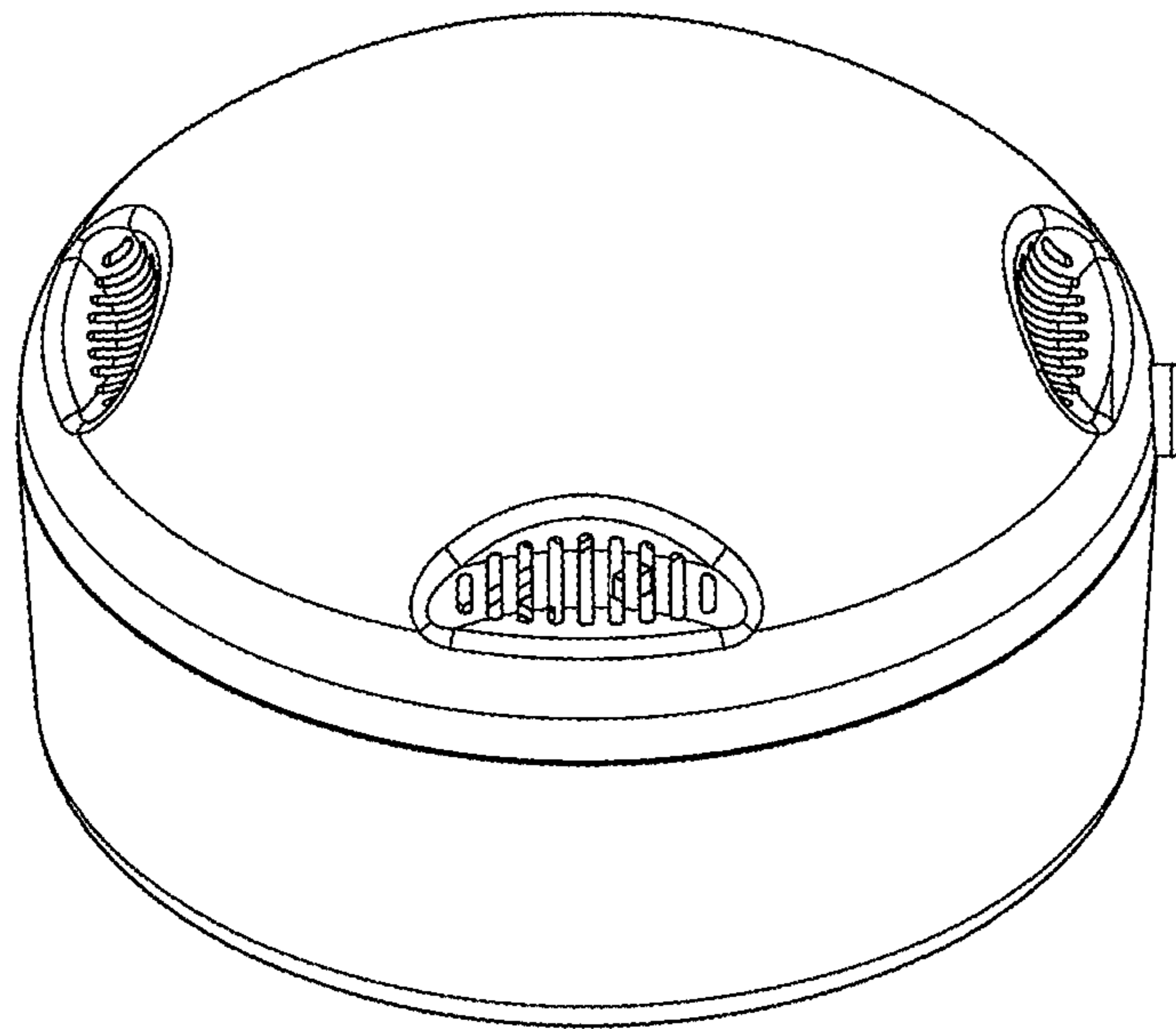


FIG. 4

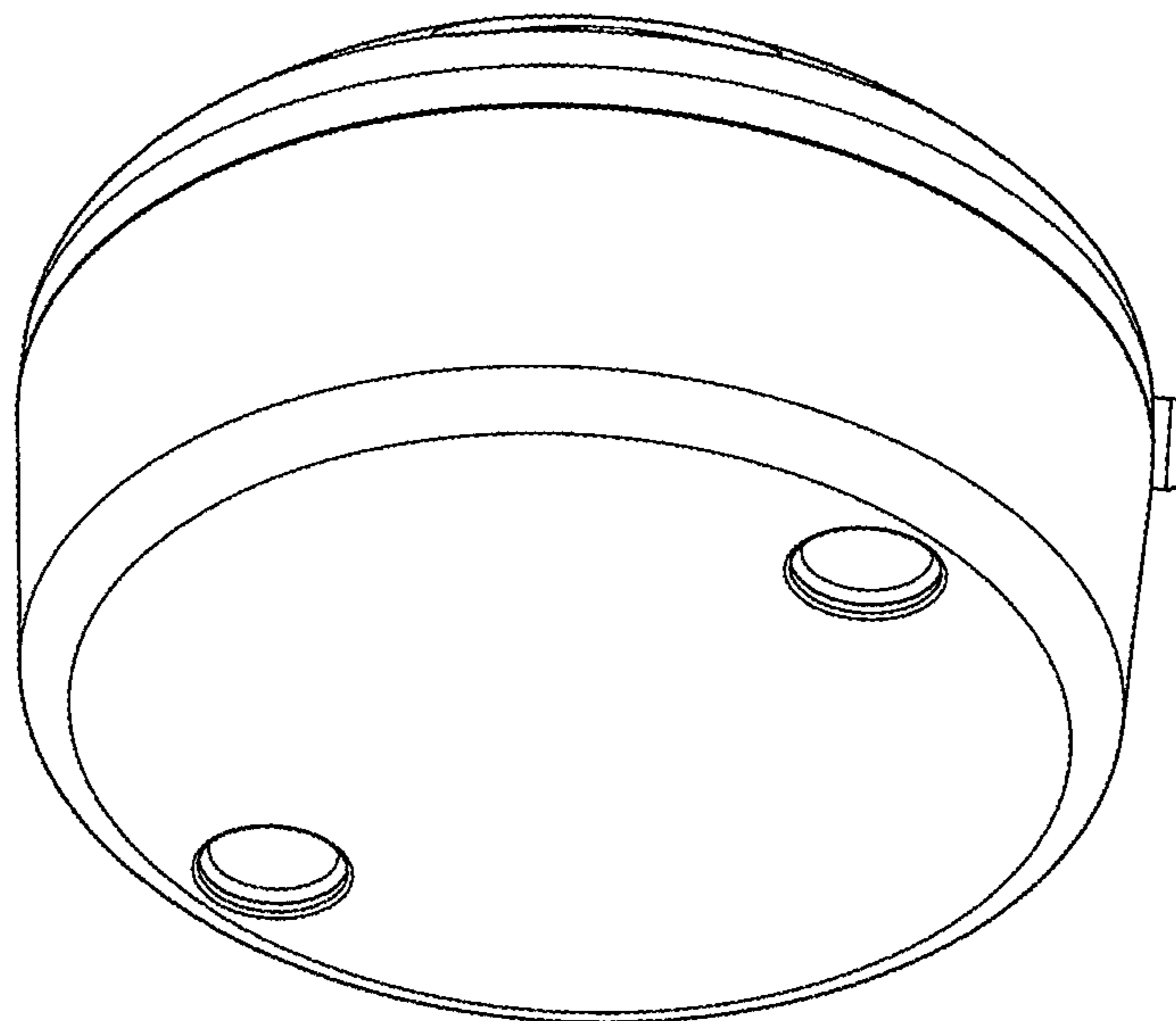


FIG. 5

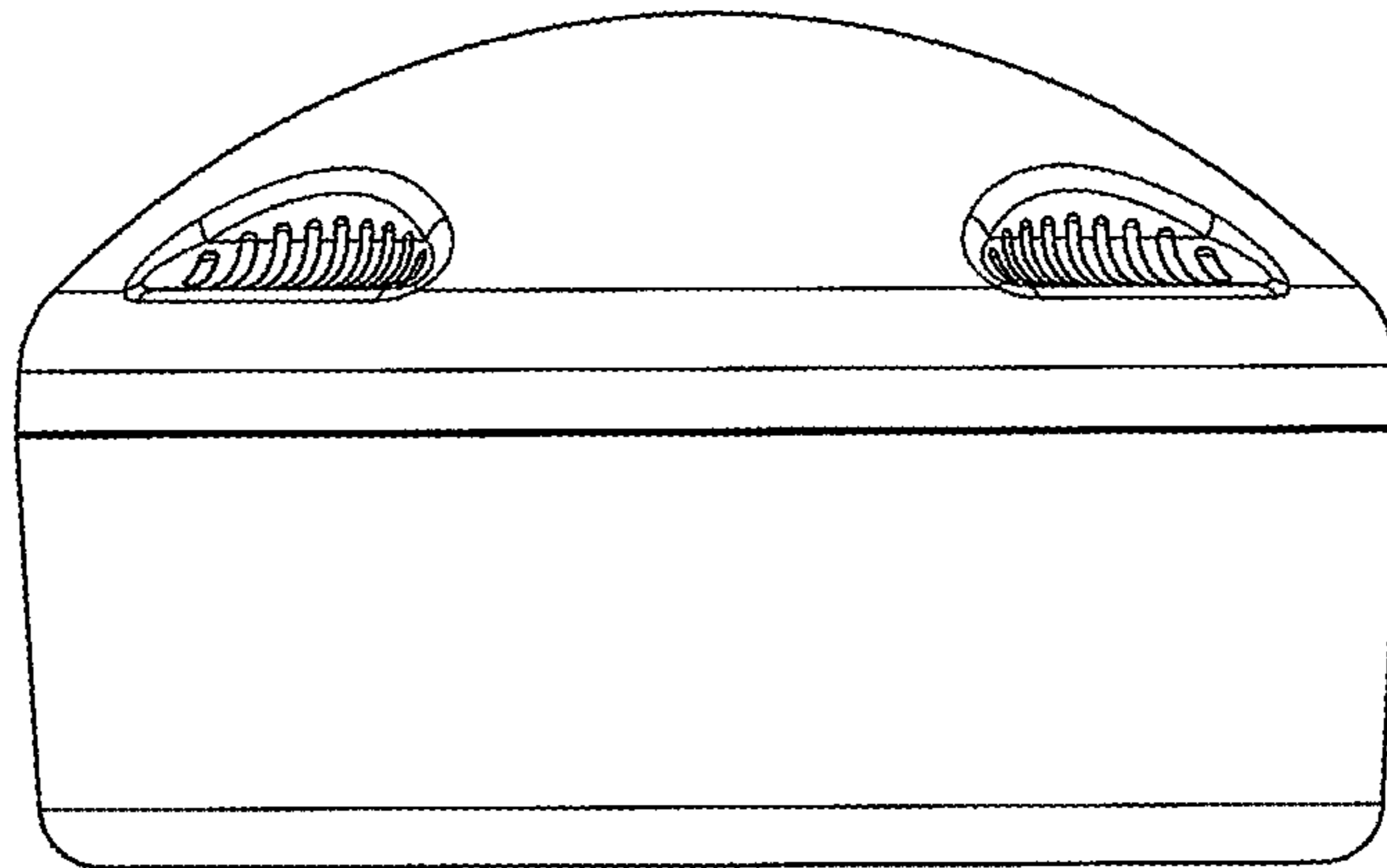


FIG. 6

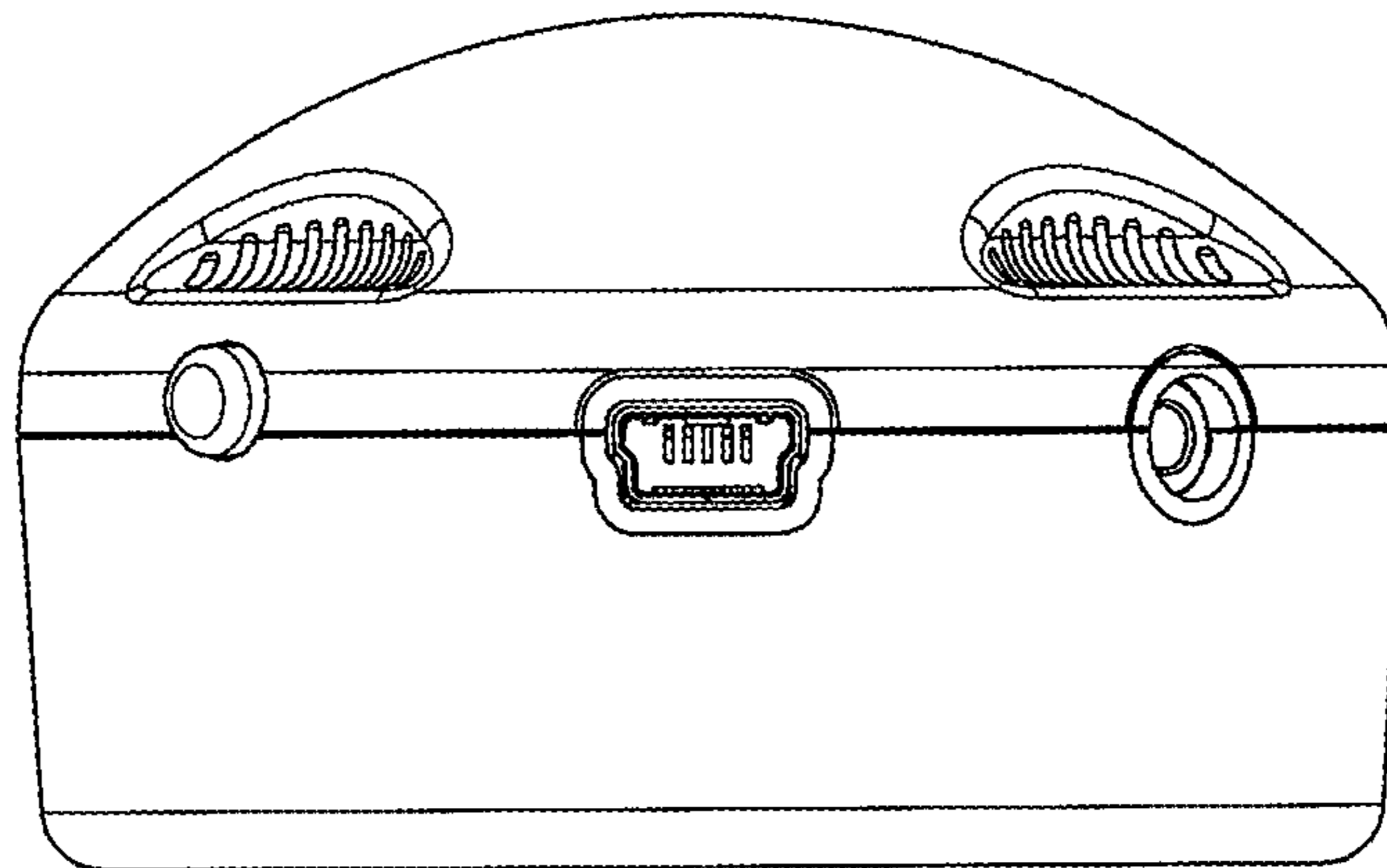


FIG. 7

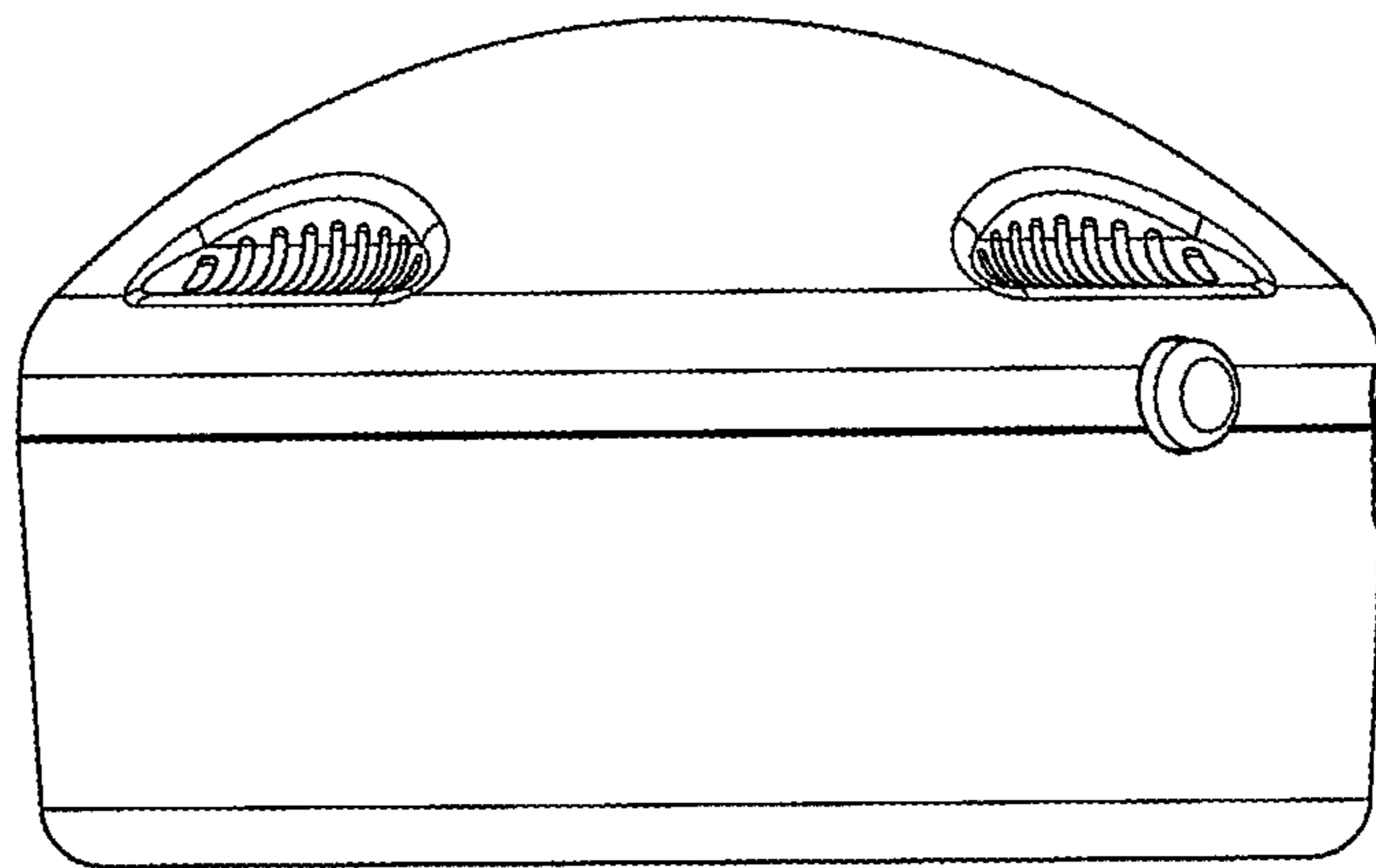


FIG. 8

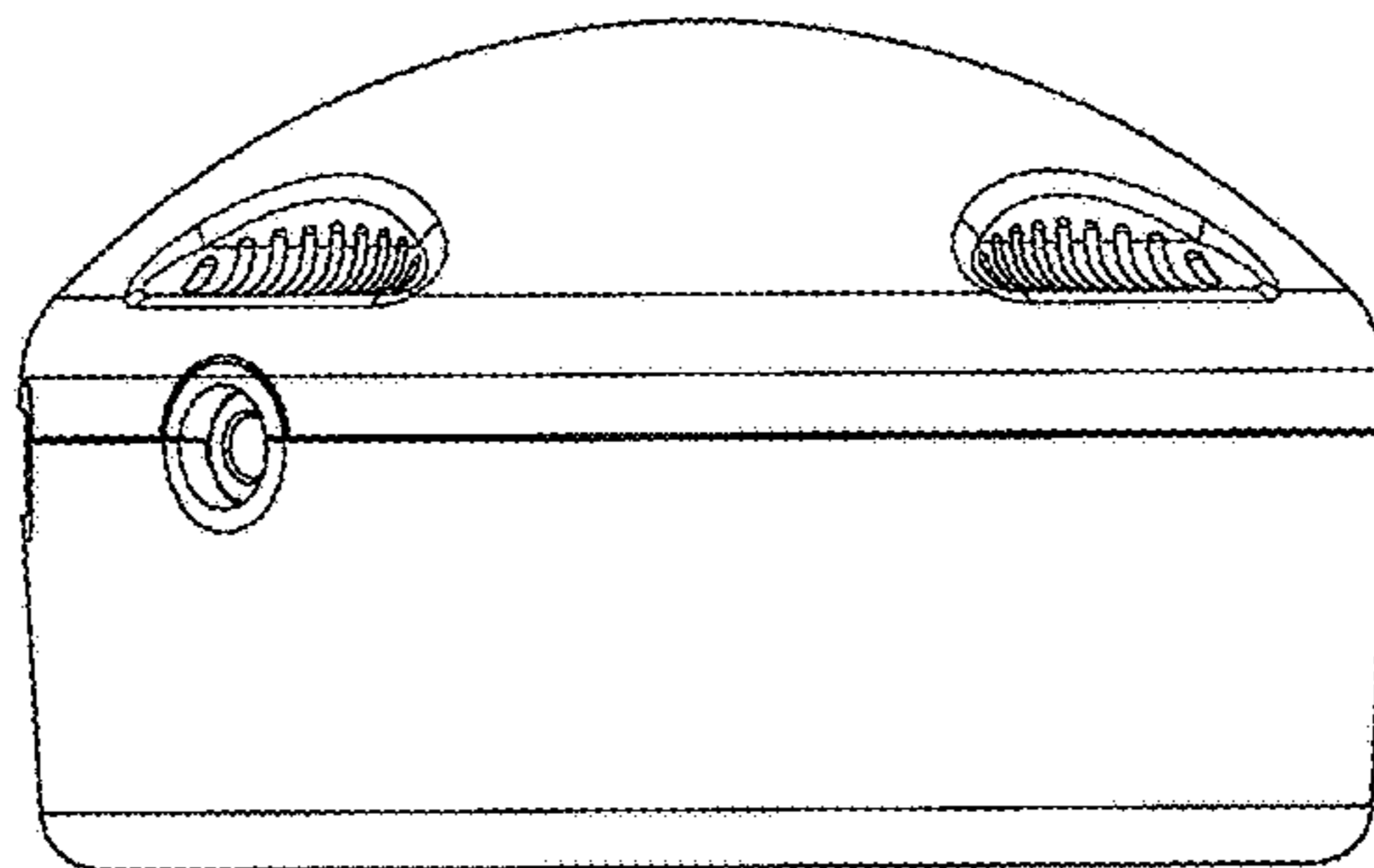


FIG. 9

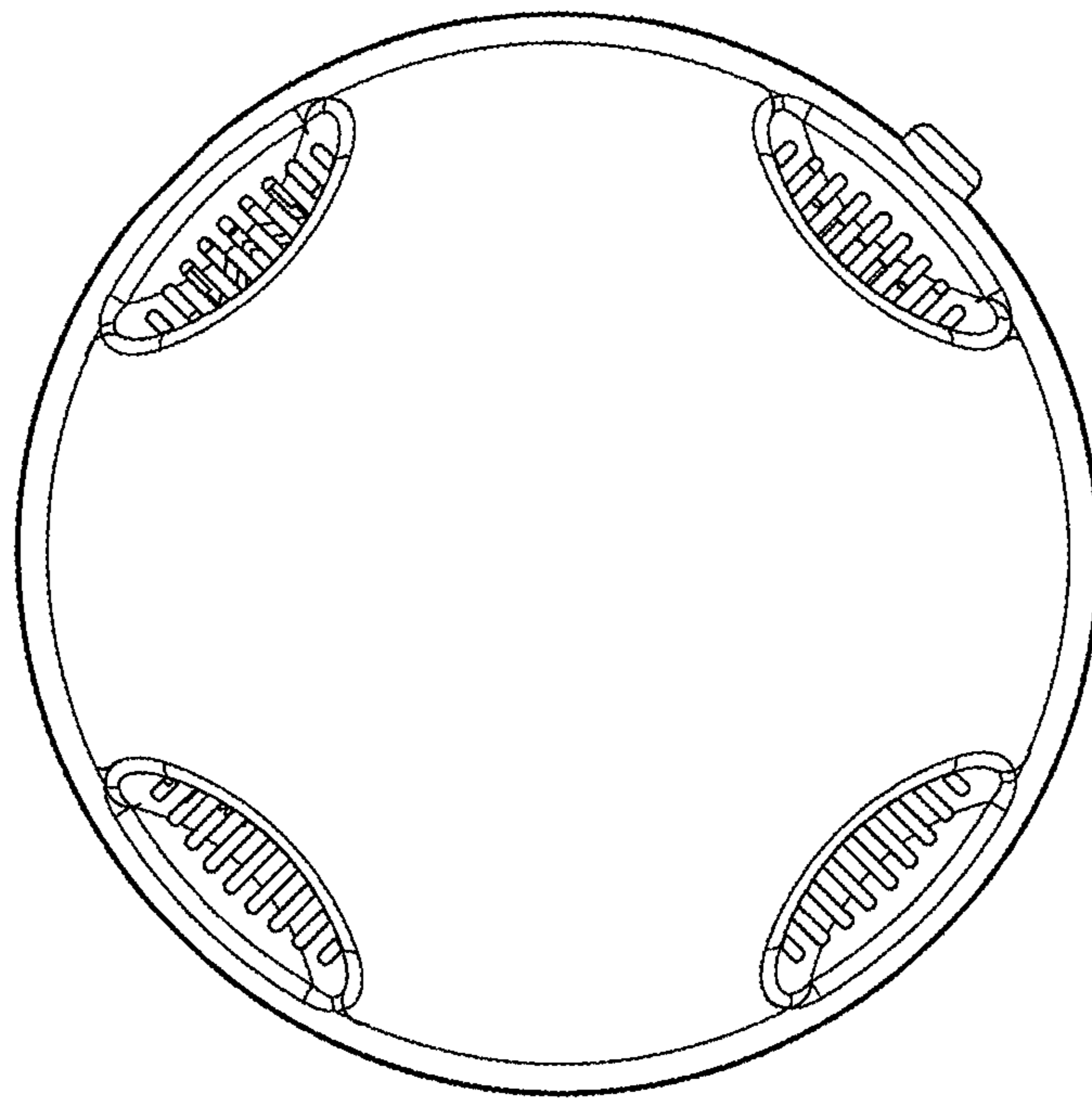


FIG. 10

