



US00D795090S

(12) **United States Design Patent** (10) **Patent No.:** **US D795,090 S**
Menden (45) **Date of Patent:** **** Aug. 22, 2017**

(54) **CONTROLLER HOUSING**

(71) Applicant: **Johnson Controls Technology Company**, Holland, MI (US)

(72) Inventor: **Thomas J. Menden**, New Berlin, WI (US)

(73) Assignee: **Johnson Controls Technology Company**, Milwaukee, WI (US)

(**) Term: **15 Years**

(21) Appl. No.: **29/548,332**

(22) Filed: **Dec. 11, 2015**

(51) **LOC (10) Cl.** **10-04**

(52) **U.S. Cl.**
USPC **D10/49; D13/158**

(58) **Field of Classification Search**
USPC D10/49, 50; D13/158
CPC . G06F 11/0736; G06F 11/0751; G05B 19/05;
G05B 2219/15014; G05B 2219/31123;
G05B 2219/31119; G05B 2219/31121;
G05B 2219/31131

See application file for complete search history.

(56) **References Cited**

U.S. PATENT DOCUMENTS

D394,842 S * 6/1998 Kellstedt, Jr. D13/162

OTHER PUBLICATIONS

Johnson Controls, Metasys System Field Equipment Controllers and Related Products Product Bulletin, Apr. 2016, 37 pages.

* cited by examiner

Primary Examiner — Antoine D Davis

(74) *Attorney, Agent, or Firm* — Foley & Lardner LLP

(57) **CLAIM**

I claim the ornamental design for a controller housing, as shown and described.

DESCRIPTION

FIG. 1 is a top perspective view from above of the claimed design of a controller housing;

FIG. 2 is a right side view of the claimed design of FIG. 1;

FIG. 3 is a left side view of the claimed design of FIG. 1;

FIG. 4 is a front side view of the claimed design of FIG. 1;

FIG. 5 is a rear side view of the claimed design of FIG. 1;

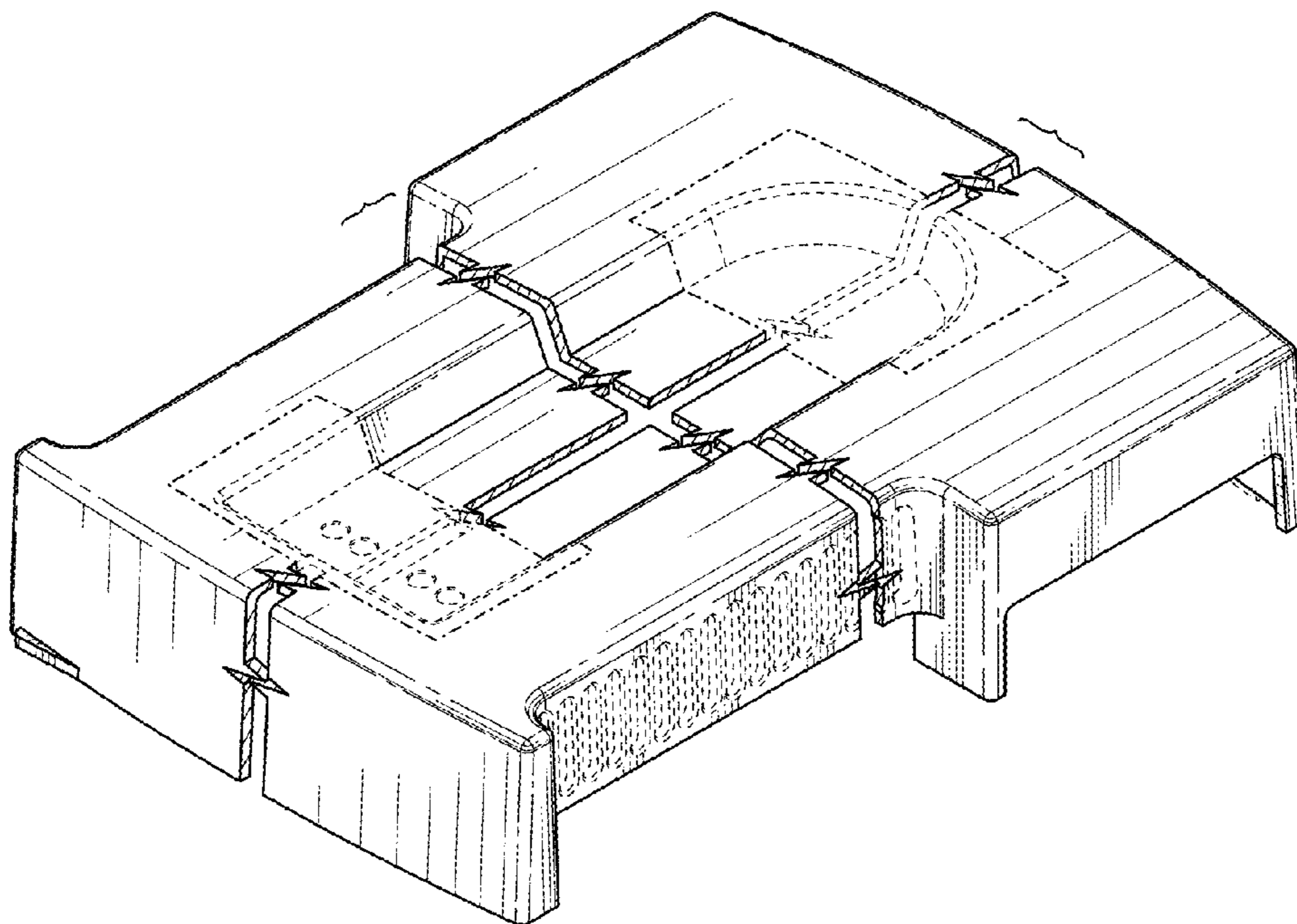
FIG. 6 is a top side view of the claimed design of FIG. 1;

and,

FIG. 7 is a bottom side view of the claimed design of FIG. 1.

The ornamental design which is claimed is shown in solid lines in the drawings. The broken lines in the drawings form no part of the claimed design. Broken lines formed by unequal length dashes (i.e., dash-dot) define bounds of the claimed design. The article is shown with a symbolic break in its length. The appearance of any portion of the article between the break lines forms no part of the claimed design.

1 Claim, 3 Drawing Sheets



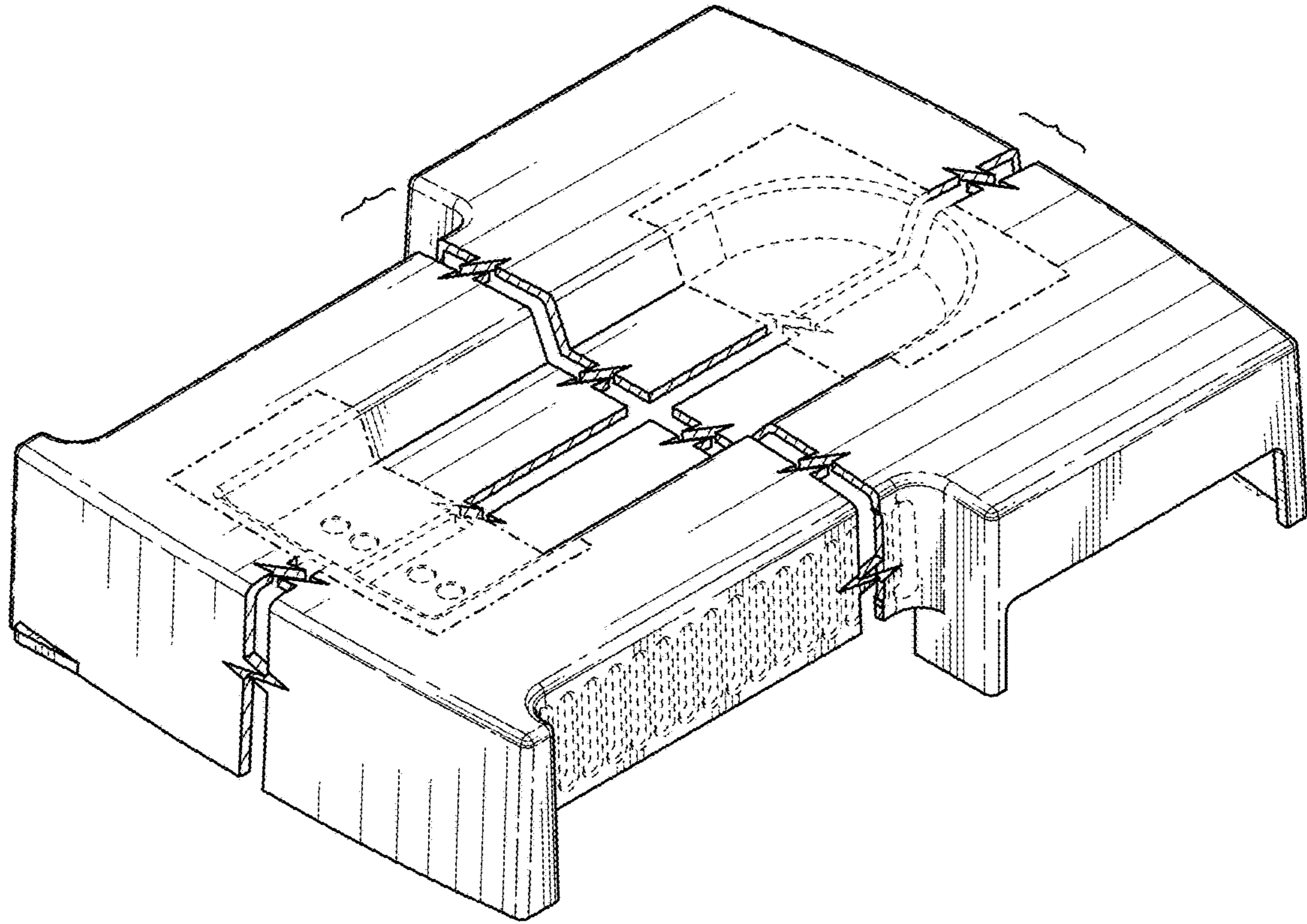


FIG. 1

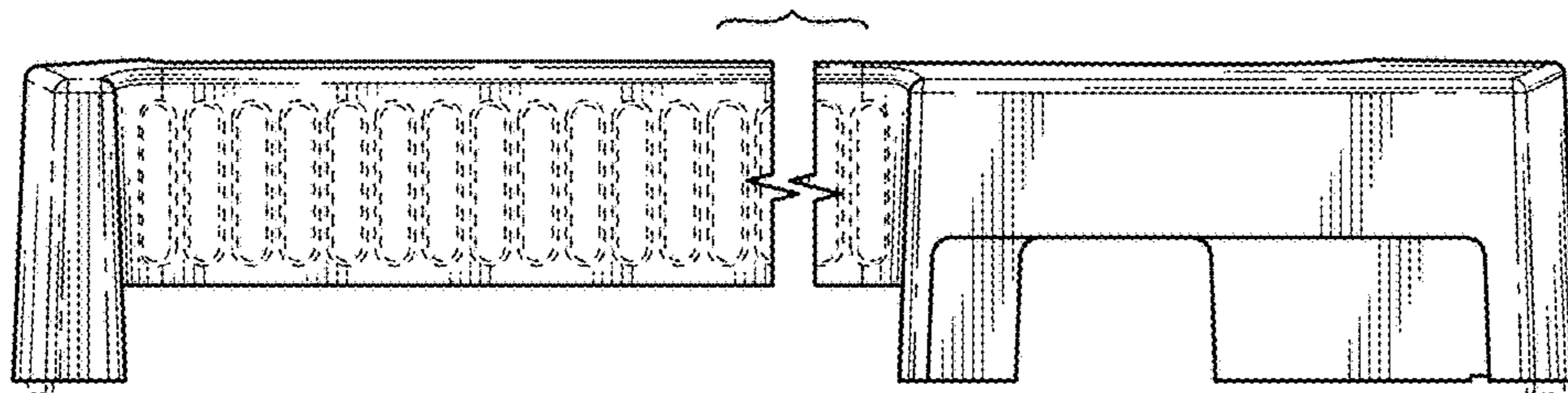


FIG. 2

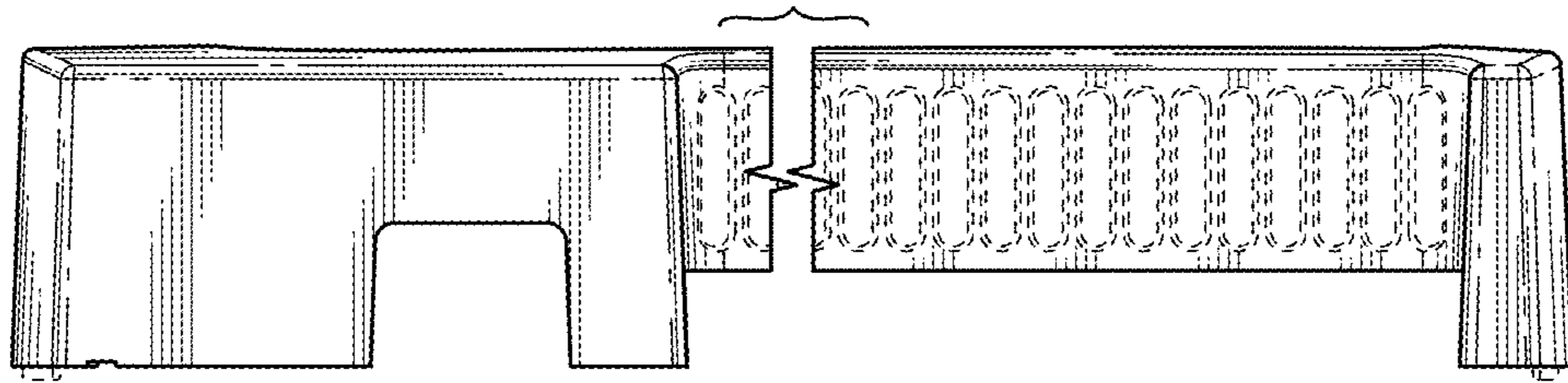


FIG. 3

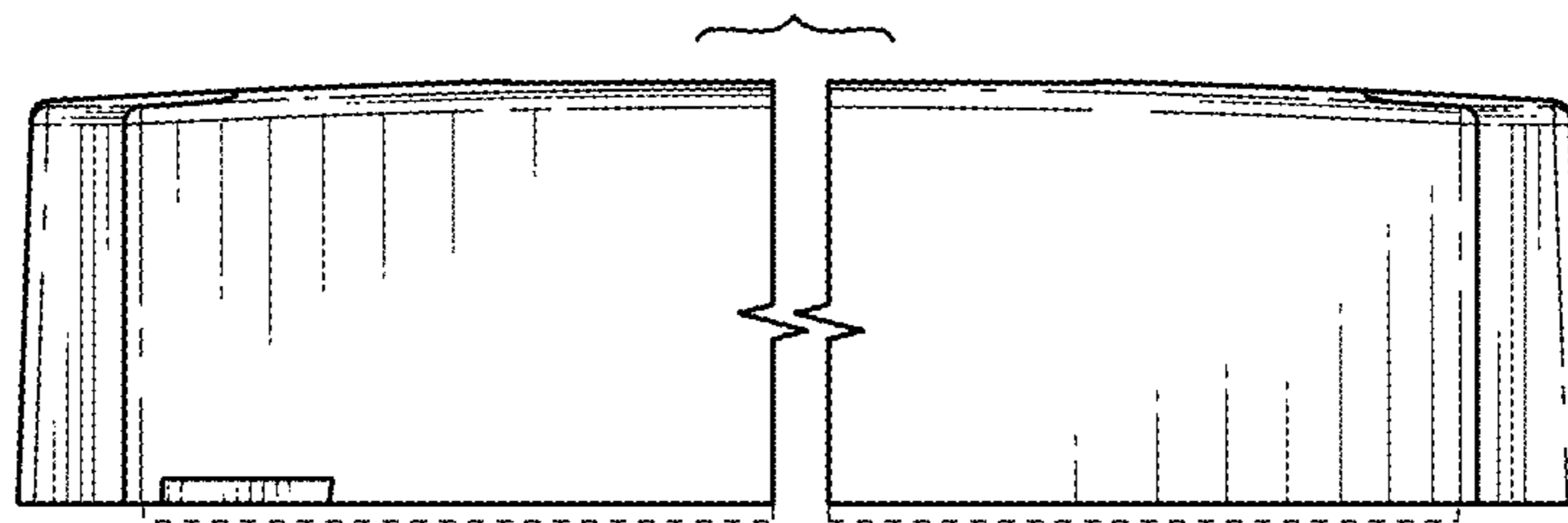


FIG. 4

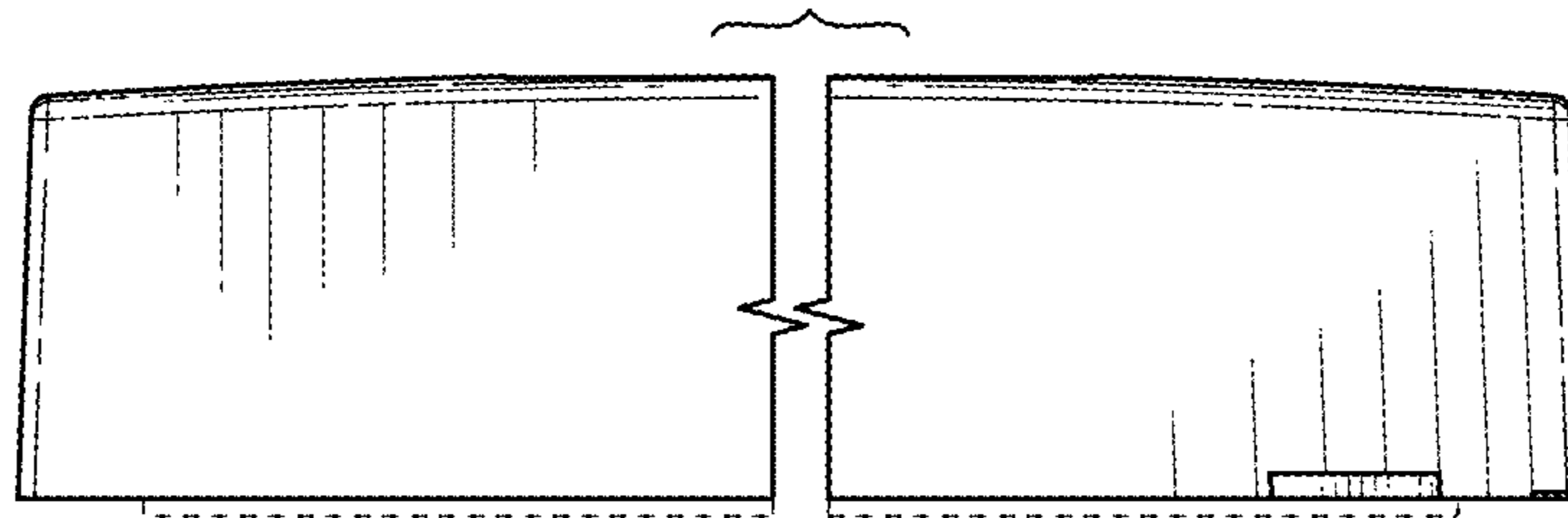


FIG. 5

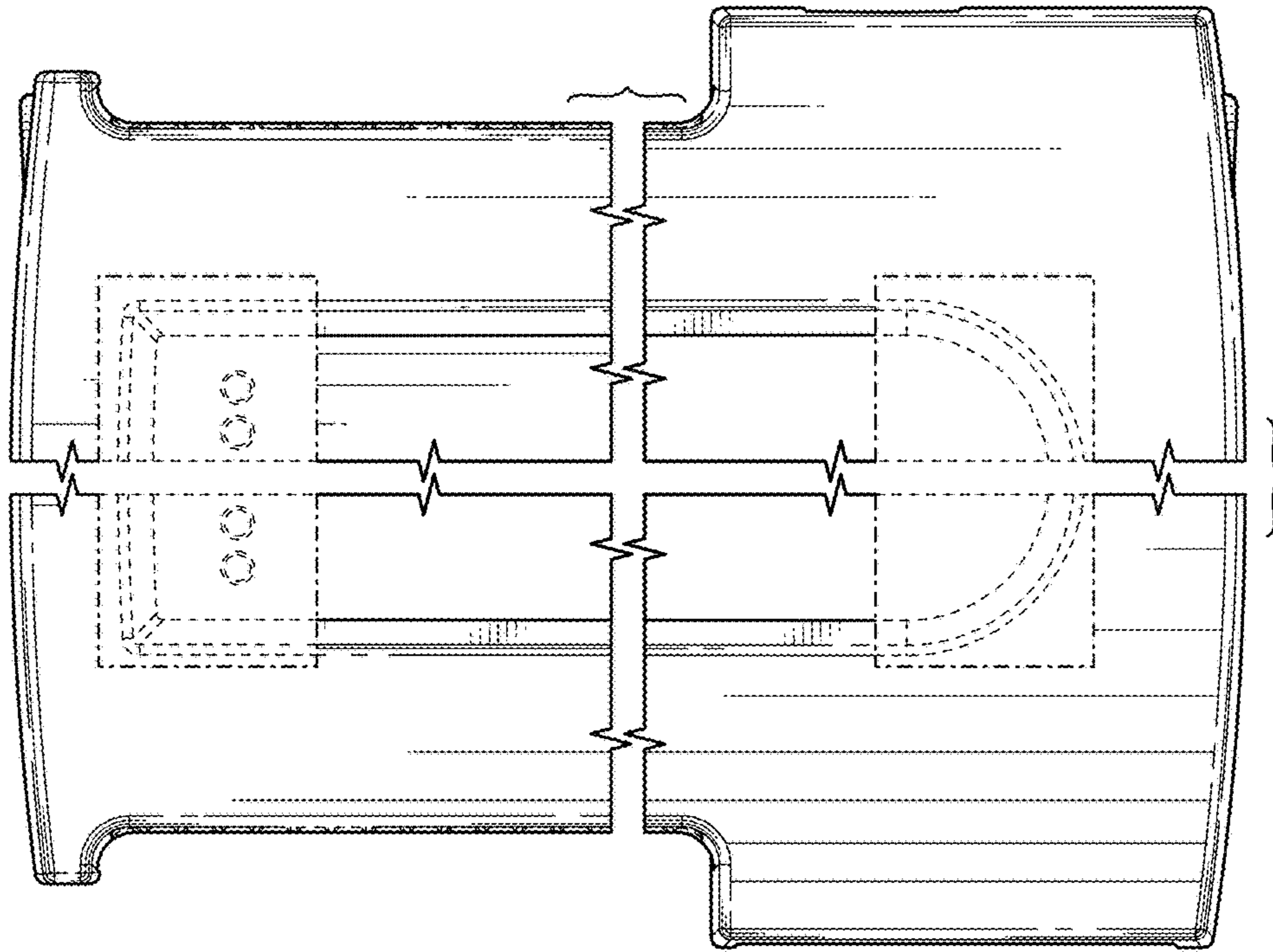


FIG. 6

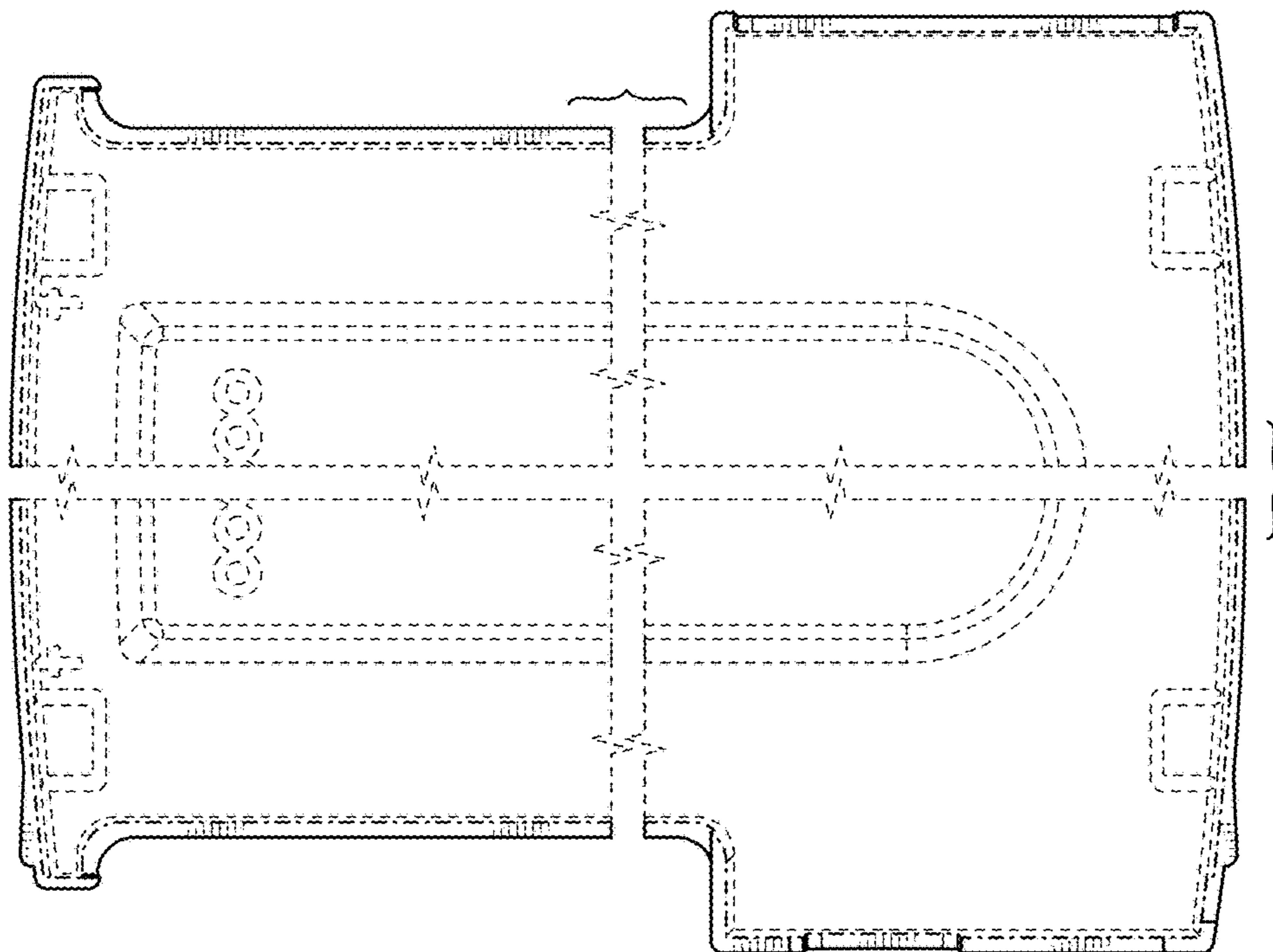


FIG. 7