



US00D795089S

(12) **United States Design Patent** (10) **Patent No.:** **US D795,089 S**  
**Wright et al.** (45) **Date of Patent:** **\*\* Aug. 22, 2017**

- (54) **WATCH CASE**
- (71) Applicant: **CATALYST LIFESTYLE LIMITED**,  
North Point (CN)
- (72) Inventors: **Joshua Wright**, Hong Kong (CN);  
**June Lai**, Hong Kong (CN)
- (73) Assignee: **CATALYST LIFESTYLE LIMITED**,  
North Point, Hong Kong (CN)
- (\*\*) Term: **15 Years**
- (21) Appl. No.: **29/582,993**
- (22) Filed: **Nov. 1, 2016**

3,992,874 A	11/1976	Collins
4,062,181 A	12/1977	Zurcher
4,236,239 A	11/1980	Imgruth et al.
4,390,288 A	6/1983	Arnoux
D278,685 S	5/1985	Suzuki et al.
D279,081 S	6/1985	Suzuki et al.
D283,014 S	3/1986	Suzuki et al.
D290,234 S	6/1987	Komatsu
D293,417 S	12/1987	Sakamaki
5,206,841 A	4/1993	Boucheron
D341,092 S	11/1993	Wild
D351,799 S	10/1994	Bulgari
5,392,261 A	2/1995	Hsu
5,477,508 A	12/1995	Will
D386,094 S	11/1997	Ventrella
6,068,119 A	5/2000	Derr et al.
6,267,236 B1	7/2001	Seok
6,349,824 B1	2/2002	Yamada
D465,163 S	11/2002	Bodino
6,655,831 B1	12/2003	Ruffieux
6,659,274 B2	12/2003	Enners
6,698,608 B2	3/2004	Parker et al.
D507,975 S	8/2005	Dreyfuss
D517,430 S	3/2006	TerMeer et al.
D528,440 S	9/2006	Lovegrove
D528,441 S	9/2006	Burton
D528,928 S	9/2006	Burton
7,106,197 B2	9/2006	Gaiotto et al.
D531,524 S	11/2006	Behling
D539,671 S	4/2007	Lassigne
D564,367 S	3/2008	Molyneux
7,555,325 B2	6/2009	Goros
7,577,468 B2	8/2009	Begic et al.
7,594,576 B2	9/2009	Chen et al.
D603,827 S	11/2009	Tompkin et al.
7,613,386 B2	11/2009	Shimamura
7,630,746 B2	12/2009	Holmberg
D616,417 S	5/2010	Liao
7,708,457 B2	5/2010	Girardin
7,933,122 B2	4/2011	Richardson et al.
D638,312 S *	5/2011	Jacobs ..... D10/32
D638,324 S	5/2011	Tang
7,946,758 B2	5/2011	Mooring
D645,031 S	9/2011	Richardson et al.
D657,262 S	4/2012	Pulli
D664,046 S *	7/2012	Claessens ..... D10/32
D666,924 S	9/2012	Ahlstrom
8,292,493 B2	10/2012	Mooring
D672,255 S *	12/2012	Zanella ..... D10/32
D672,265 S	12/2012	Pulli
D673,477 S	1/2013	Szellos
8,342,325 B2	1/2013	Rayner
8,345,412 B2	1/2013	Maravilla et al.

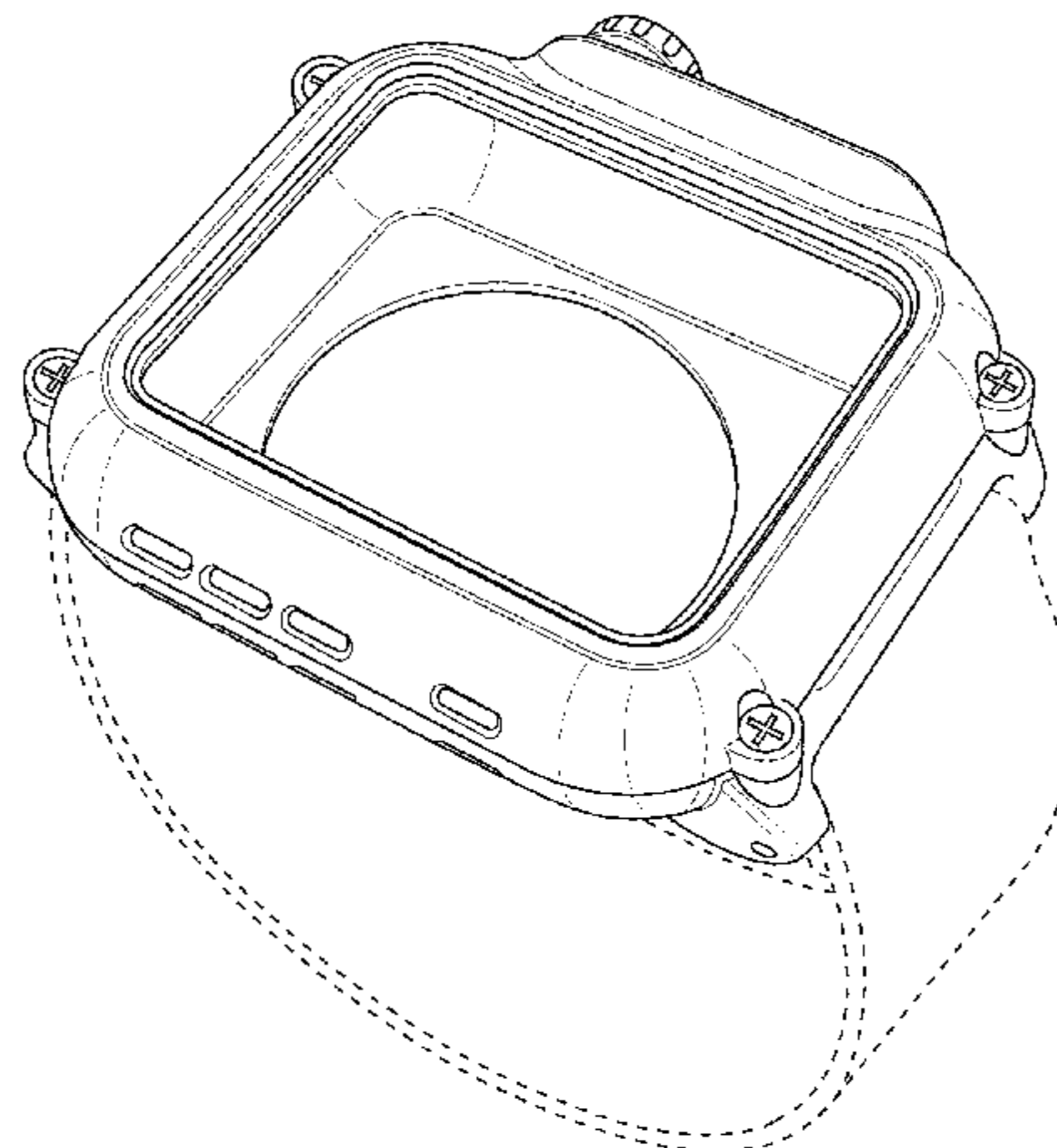
**Related U.S. Application Data**

- (63) Continuation of application No. 15/176,937, filed on  
Jun. 8, 2016.
- (51) **LOC (10) Cl.** ..... **10-02**
- (52) **U.S. Cl.**  
USPC ..... **D10/32**
- (58) **Field of Classification Search**  
USPC ..... D10/1-131, 132; D14/344, 138 R;  
368/294  
CPC ..... G04B 19/00; G04B 19/06; G04B 39/00;  
G04B 39/002; G04B 39/004; G04B  
39/006; G04F 7/06; A01G 25/165; B05B  
12/02  
See application file for complete search history.

**References Cited**

**U.S. PATENT DOCUMENTS**

1,195,299 A	8/1916	Watcher
1,205,217 A	11/1916	Kaufman
1,986,328 A	1/1935	Dreyfus
2,136,625 A	11/1938	Lasko
2,392,787 A	1/1946	Vernnot
D157,606 S	3/1950	Lachman
3,194,004 A	7/1965	Church
3,640,065 A	2/1972	Lederrey et al.
3,789,601 A	2/1974	Bergey
3,800,525 A	4/1974	Bergey



D683,338 S	5/2013	Wilson et al.	
D688,582 S	8/2013	Wilson	
D688,967 S	9/2013	Wilson	
D693,251 S	11/2013	Anderssen et al.	
D699,701 S	2/2014	Kim	
D709,057 S	7/2014	Wilson et al.	
8,787,009 B2	7/2014	Wilson et al.	
D716,786 S	11/2014	Wilson et al.	
D717,678 S	11/2014	Anderssen et al.	
8,944,614 B2	2/2015	Parrill	
8,955,678 B2	2/2015	Murphy et al.	
8,967,437 B2	3/2015	Wilson	
D727,194 S	4/2015	Wilson	
9,004,329 B2 *	4/2015	Hsieh .....	G04G 17/08 224/169
9,007,758 B2	4/2015	Wilson et al.	
D729,218 S	5/2015	Wilson et al.	
D737,159 S	8/2015	Akana et al.	
9,101,184 B2 *	8/2015	Wilson .....	A44C 5/14
9,114,923 B2	8/2015	Richardson et al.	
D739,768 S	9/2015	Hanshew et al.	
9,136,897 B2	9/2015	Hynecek et al.	
9,145,250 B2	9/2015	Richardson et al.	
D741,726 S	10/2015	Akana et al.	
9,155,368 B2	10/2015	Chang	
D742,254 S *	11/2015	Greusel .....	D10/30
D742,761 S *	11/2015	Grazian .....	D10/30
D744,356 S	12/2015	Akana et al.	
D745,421 S	12/2015	Akana et al.	
9,223,346 B2	12/2015	Wilson	
D746,707 S	1/2016	Akana et al.	
D751,067 S	3/2016	Nousiainen	
D751,550 S	3/2016	Solomon et al.	
D751,558 S	3/2016	Lee	
D752,044 S *	3/2016	Akana .....	D14/344
D752,579 S	3/2016	Lee	
D752,996 S	4/2016	Ebersold	
D756,357 S	5/2016	Akana et al.	
D759,725 S	6/2016	Akana et al.	
9,386,932 B2	7/2016	Chatterjee et al.	
D765,072 S *	8/2016	Kwon .....	D10/38
D766,904 S *	9/2016	Jung .....	D14/440
D766,905 S *	9/2016	Lee .....	D14/440
D766,906 S *	9/2016	Kim .....	D14/440
D767,573 S *	9/2016	Kim .....	D14/440
D769,879 S *	10/2016	Kim .....	D14/440
D771,504 S *	11/2016	Lai .....	D10/30
D772,730 S *	11/2016	Lai .....	D10/38
2002/0065054 A1	5/2002	Humphreys et al.	
2005/0116003 A1	6/2005	Butler et al.	
2009/0080153 A1	3/2009	Richardson et al.	
2009/0302799 A1	12/2009	Marquet et al.	
2010/0061191 A1 *	3/2010	Chen .....	A44C 5/0069 368/109
2012/0073093 A1 *	3/2012	Szellos .....	F16M 13/04 24/594.1
2012/0074005 A1	3/2012	Johnson et al.	
2012/0134244 A1	5/2012	Margaritelli	
2013/0001263 A1 *	1/2013	Kai .....	A44C 5/0007 224/219
2014/0356495 A1	12/2014	Teuscher	
2015/0137731 A1	5/2015	Kim	
2015/0141096 A1	5/2015	Murphy et al.	
2015/0214991 A1	7/2015	Ranchod et al.	
2015/0296963 A1	10/2015	Byun et al.	
2015/0319520 A1	11/2015	Richardson et al.	
2016/0254836 A1	9/2016	Alsberg et al.	

FOREIGN PATENT DOCUMENTS

CH	218928	4/1942
CH	343949	2/1960
CH	690 870 A5	2/2001
CN	203119956 U	8/2013
CN	203708299 U	7/2014
CN	204190798 U	3/2015
CN	204305125 U	4/2015

DE	822169	11/1951
JP	8046371 A	2/1996
JP	9023072	1/1997
JP	3044740 U	1/1998
JP	10079582 A	3/1998
JP	11231970 A	8/1999
JP	11231973 A	8/1999
JP	11284358 A	10/1999
JP	2000125916 A	5/2000
JP	2006064762 A	3/2006
WO	99/67889 A1	12/1999
WO	03041288 A2	5/2003

OTHER PUBLICATIONS

Watch Case / Catalyst Case for Apple Watch / Catalyst, posted at catalytlifestyle.comn, posting date N/A © 2016 catalytlifestyle.com, [online], [site visited Jun. 24, 2016], Available from Internet <http://www.catalytlifestyle.com/collections/catalyst-case-for-apple-watch/products/catalyst-apple-watch-42mm>.  
U.S. Appl. No. 15/176,937, filed Jun. 8, 2016, Joshua Wright et al.  
U.S. Appl. No. 62/259,297, filed Nov. 24, 2015, June Lai et al.  
U.S. Appl. No. 62/200,888, filed Aug. 4, 2015, June Lai et al.

\* cited by examiner

*Primary Examiner* — Sandra Snapp  
(74) *Attorney, Agent, or Firm* — Dinsmore & Shohl LLP

(57) CLAIM

The ornamental design for a watch case, as shown and described.

DESCRIPTION

FIG. 1 is a perspective view of a first embodiment of the watch case including a rear, top and one side thereof; FIG. 2 is a front elevation view of the watch case of FIG. 1; FIG. 3 is a rear elevation view of the watch case of FIG. 1; FIG. 4 is a right side elevation view of the watch case of FIG. 1; FIG. 5 is a left side elevation view of the watch case of FIG. 1; FIG. 6 is a top plan view of the watch case of FIG. 1; FIG. 7 is a bottom plan view of the watch case of FIG. 1; and FIG. 8 is an exploded perspective view of the front, top and right side of the watch case of FIG. 1; FIG. 9 is a perspective view of a second embodiment of the watch case including a rear, top and left side view thereof; FIG. 10 is a front elevation view of the watch case of FIG. 9; FIG. 11 is a rear elevation view of the watch case of FIG. 9; FIG. 12 is a right side elevation view of the watch case of FIG. 9; FIG. 13 is a left side elevation view of the watch case of FIG. 9; FIG. 14 is a top plan view of the watch case of FIG. 9; FIG. 15 is a bottom plan view of the watch case of FIG. 9; and, FIG. 16 is an exploded perspective view of the front, top and right side of the watch case of FIG. 9. The broken lines show a strap for displaying the environment in which the design is associated and form no part of the claimed design.

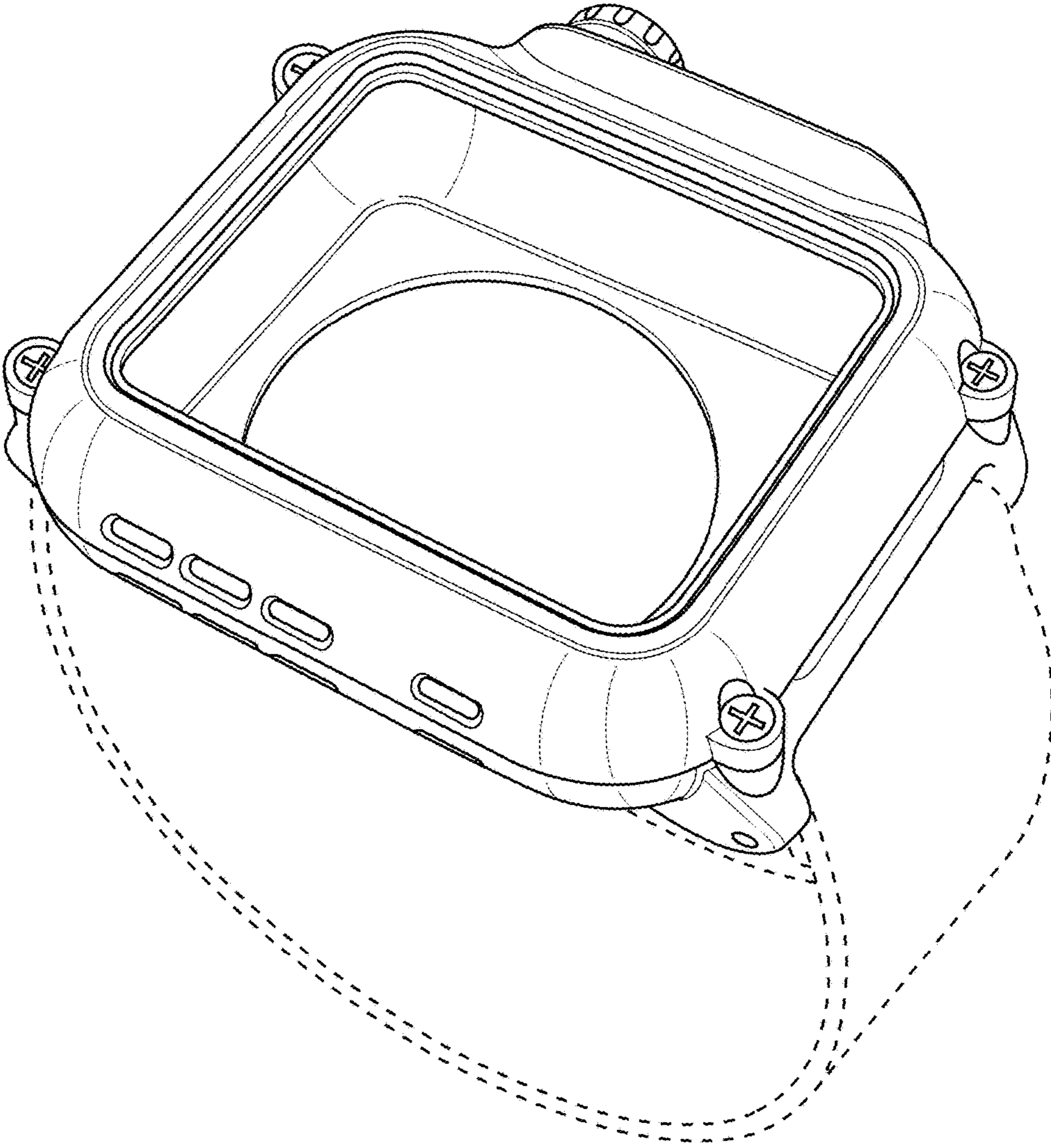


Fig. 1

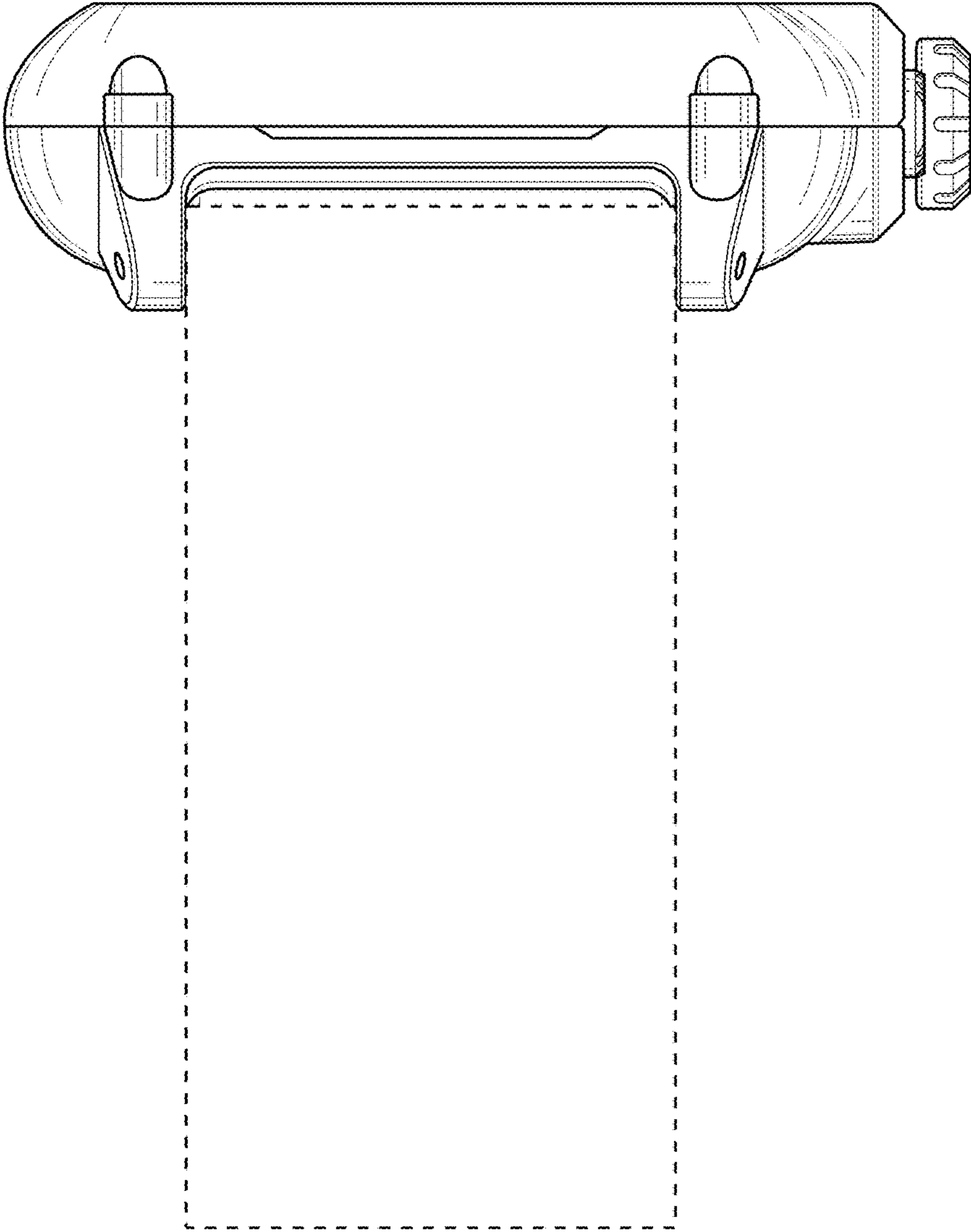


Fig. 2

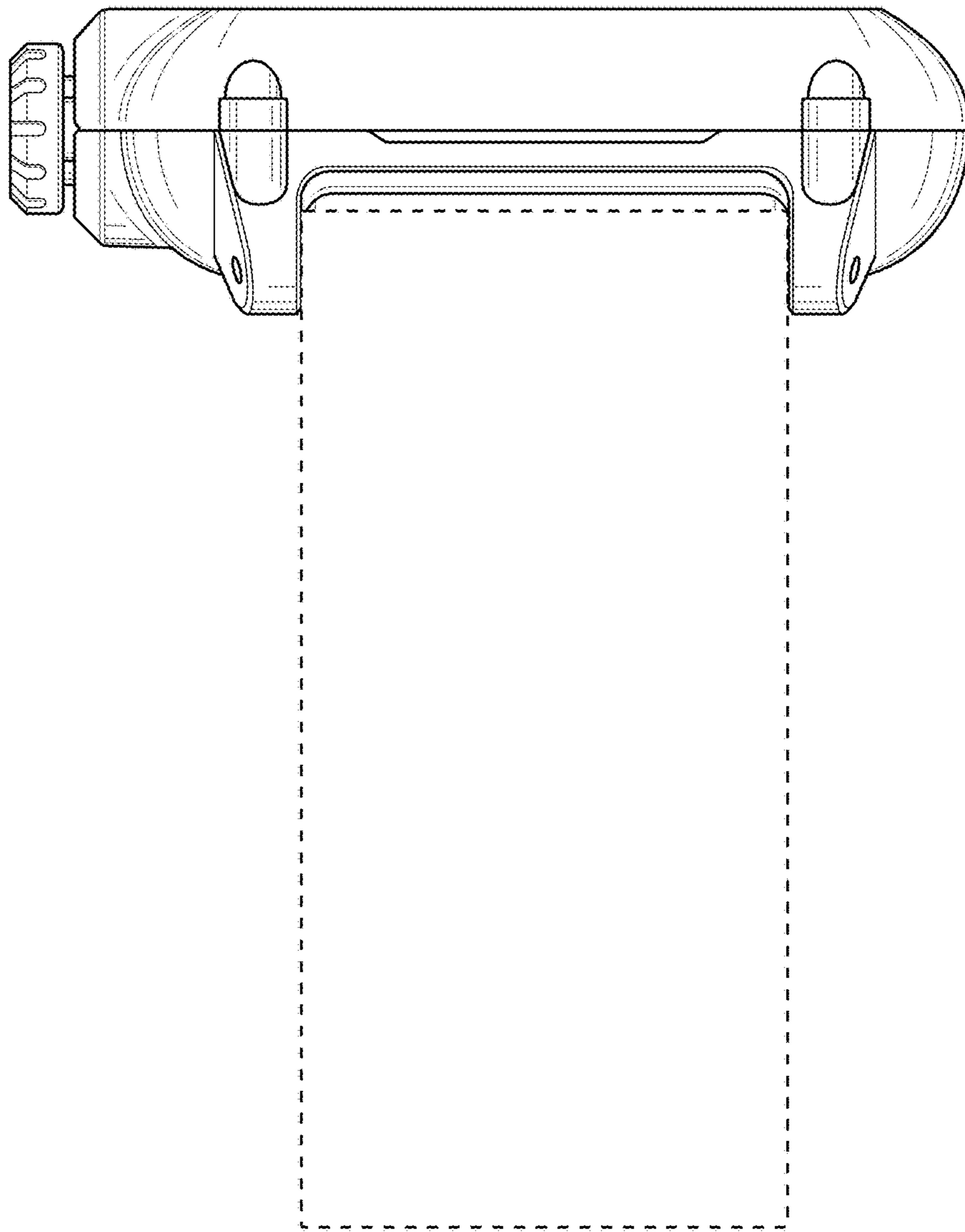


Fig. 3

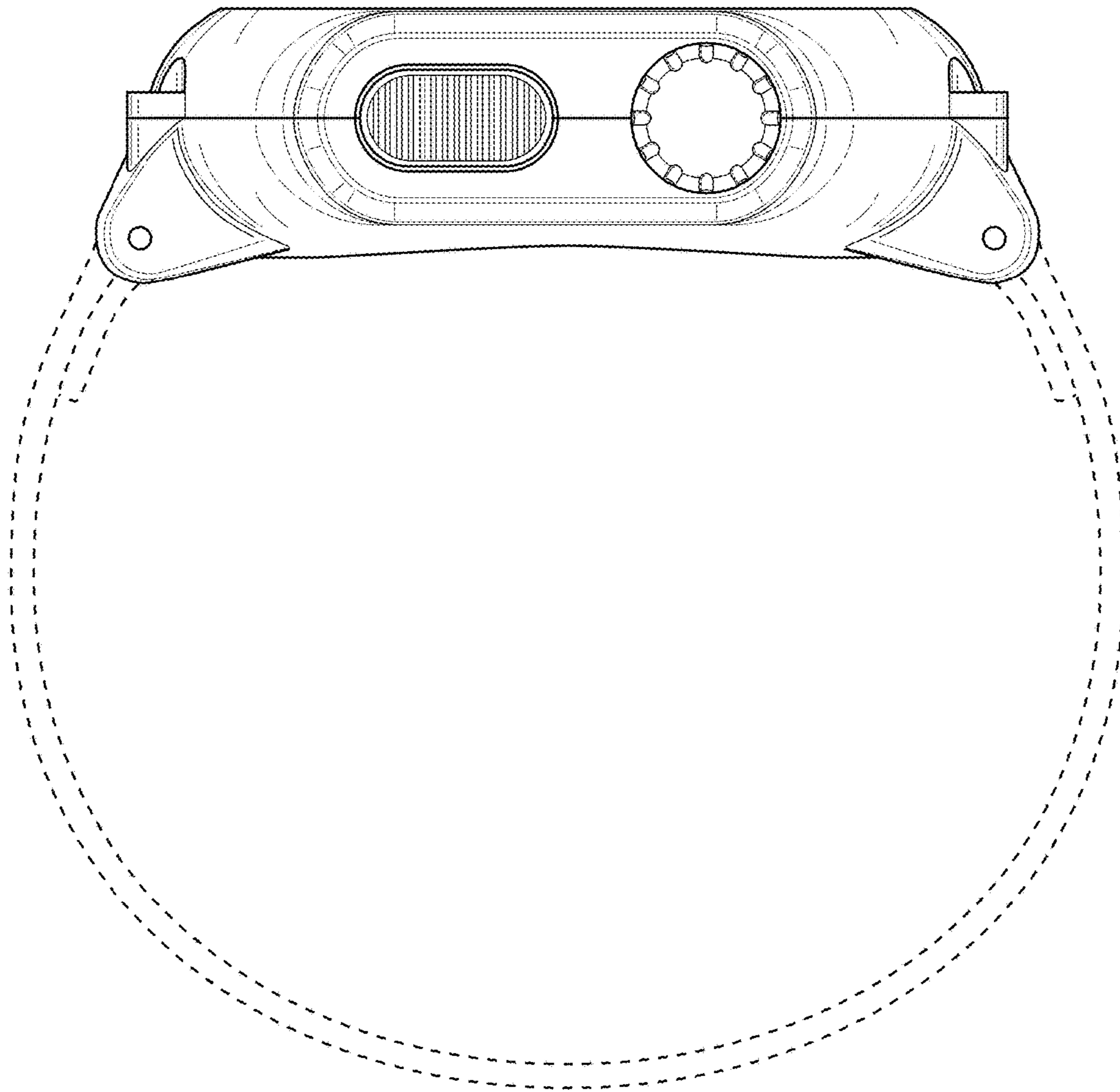


Fig. 4

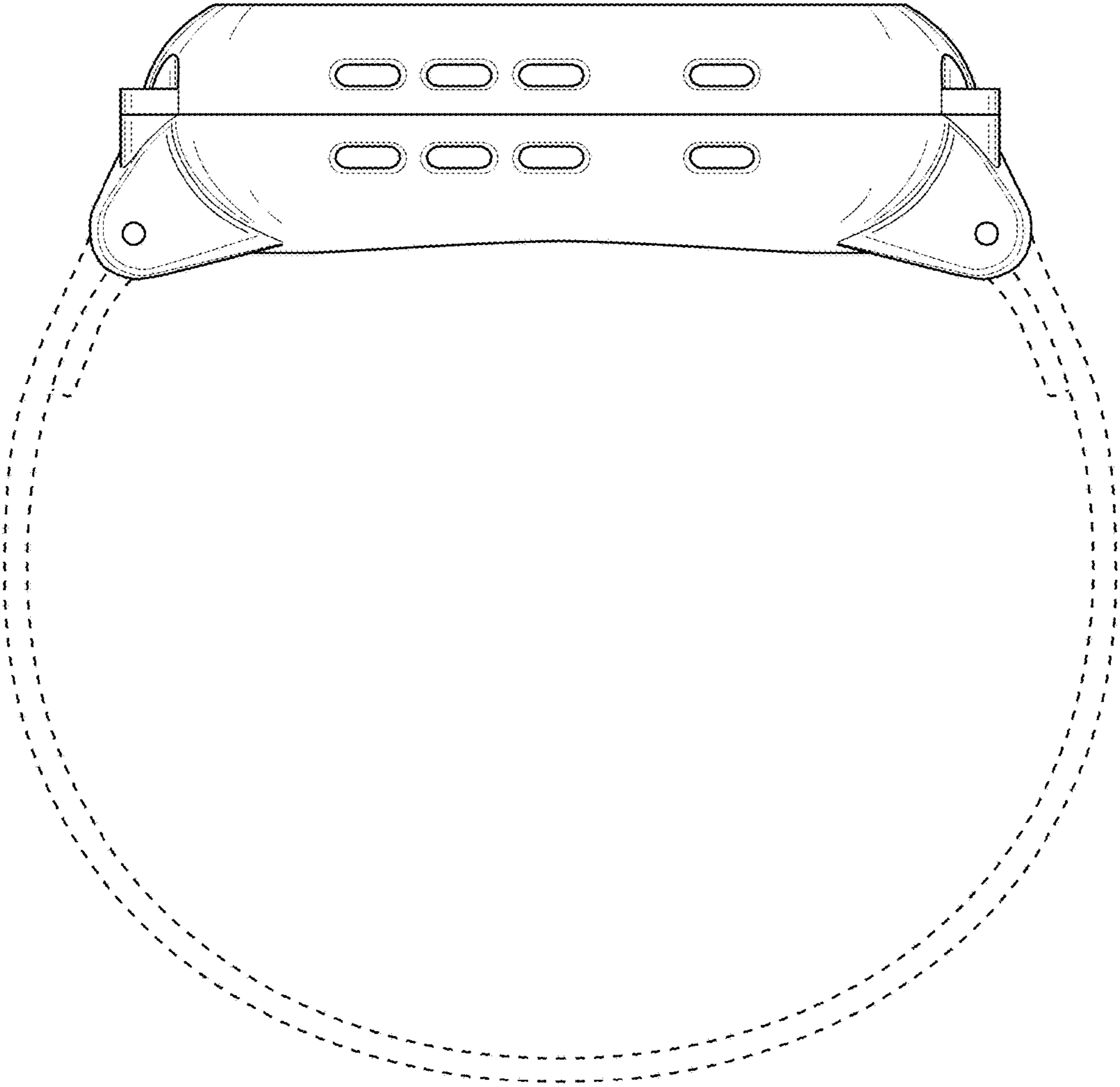


Fig. 5

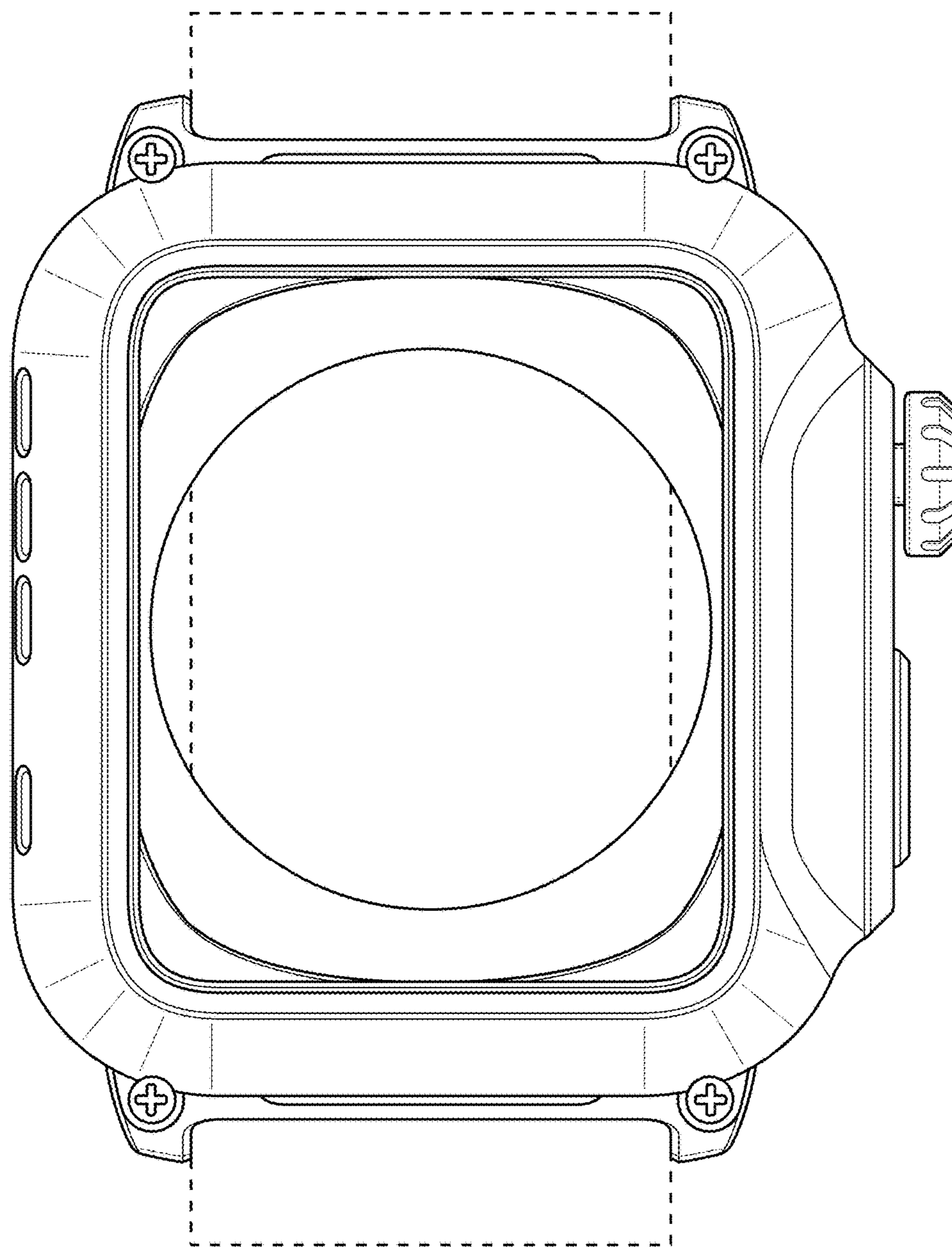


Fig. 6



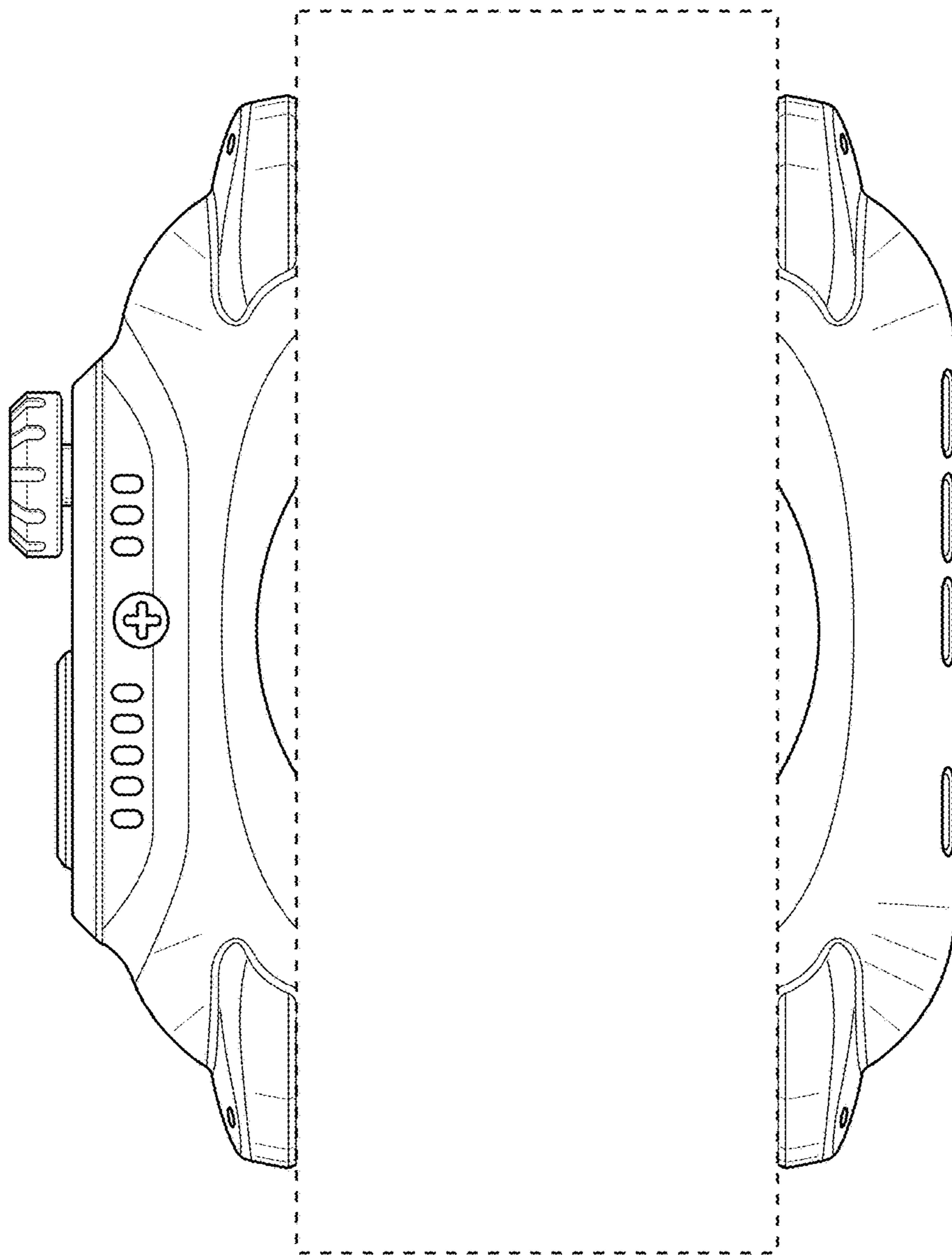


Fig. 7

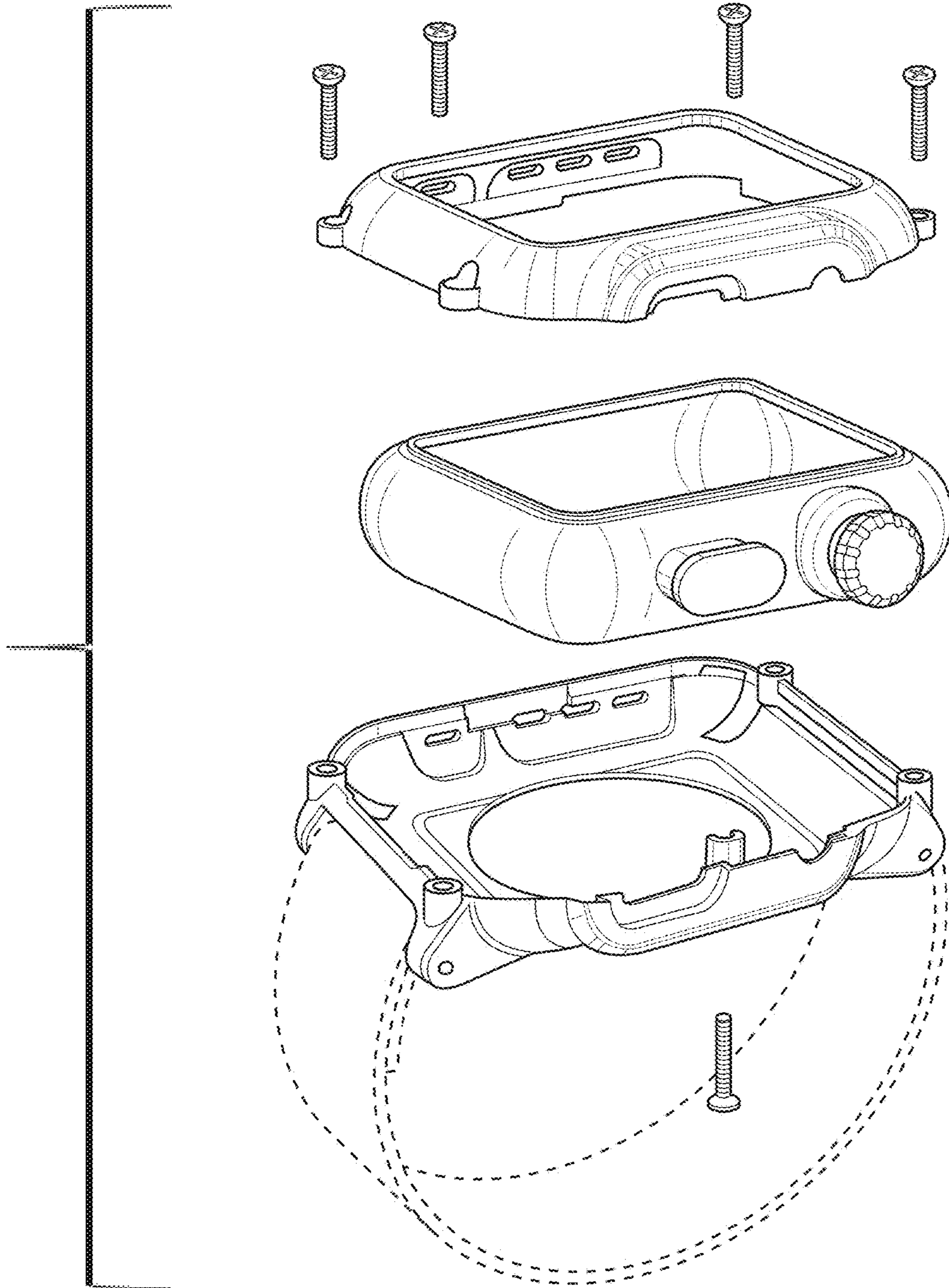


Fig. 8

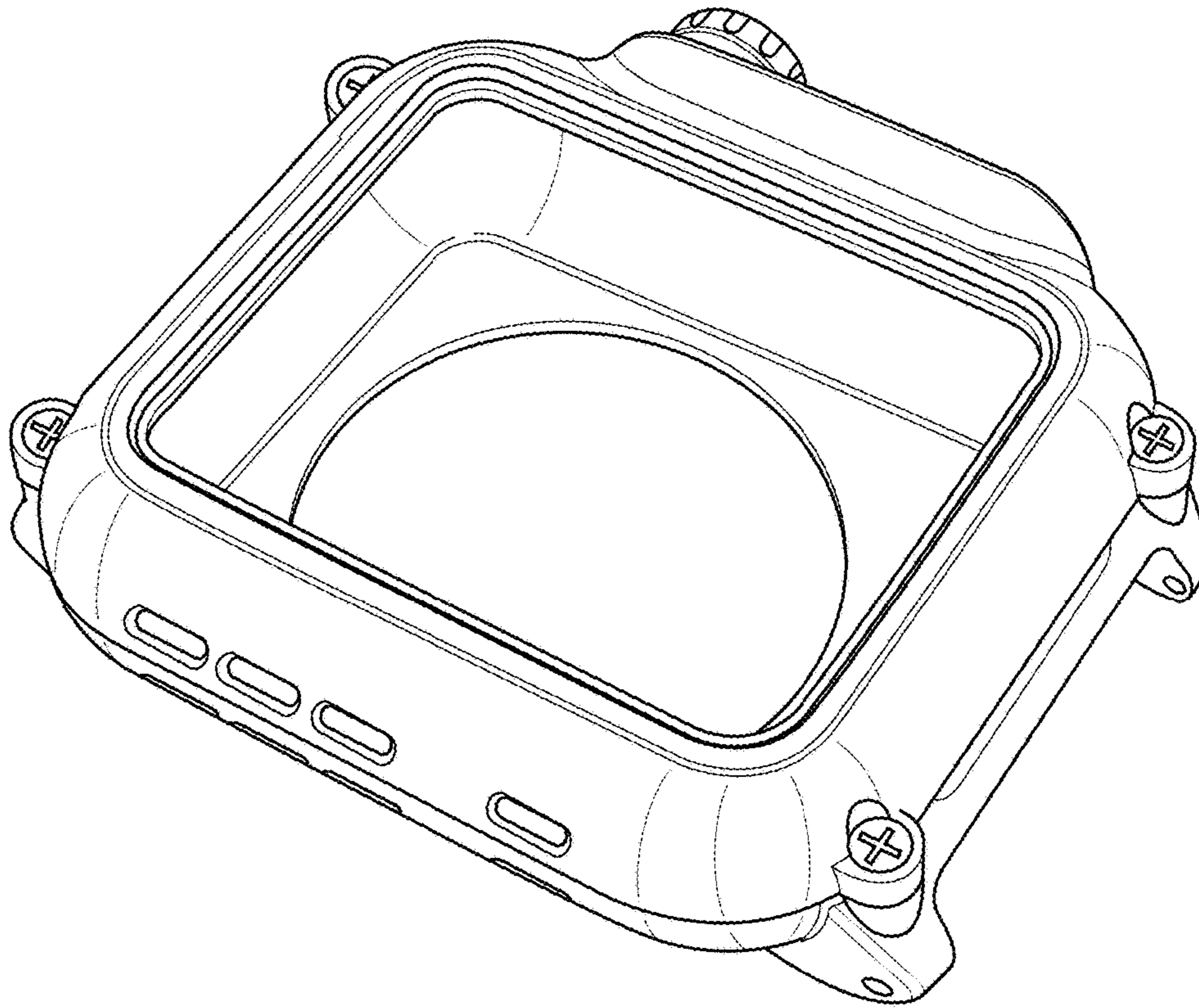


Fig. 9

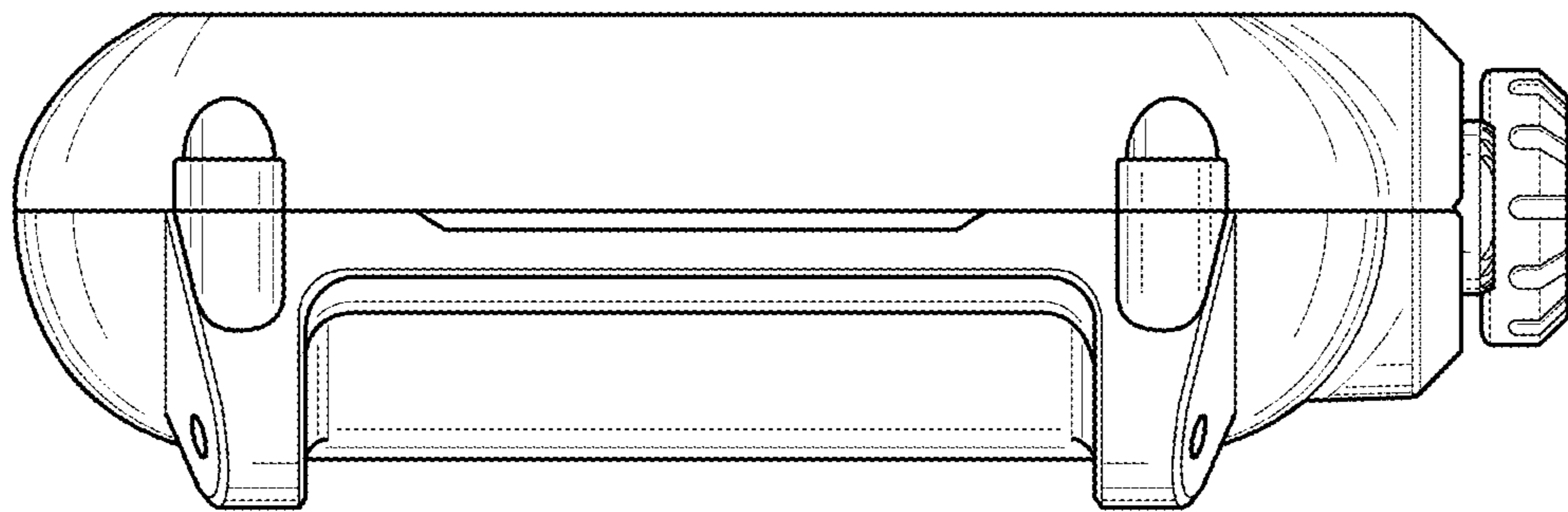


Fig. 10

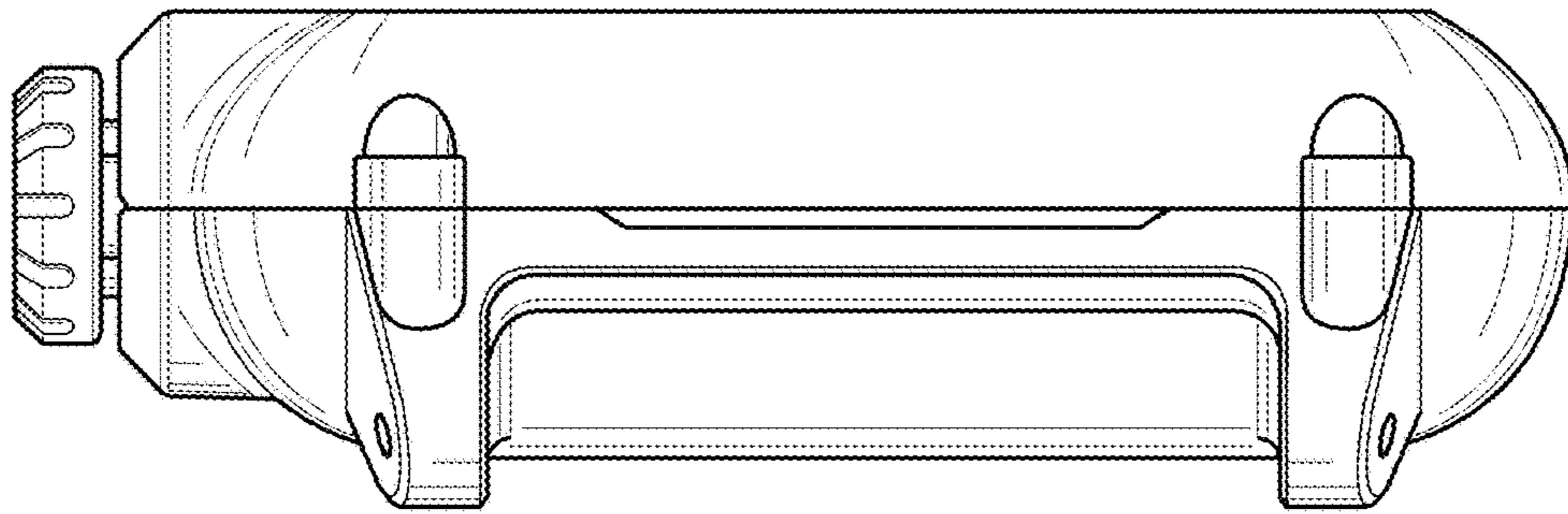


Fig. 11

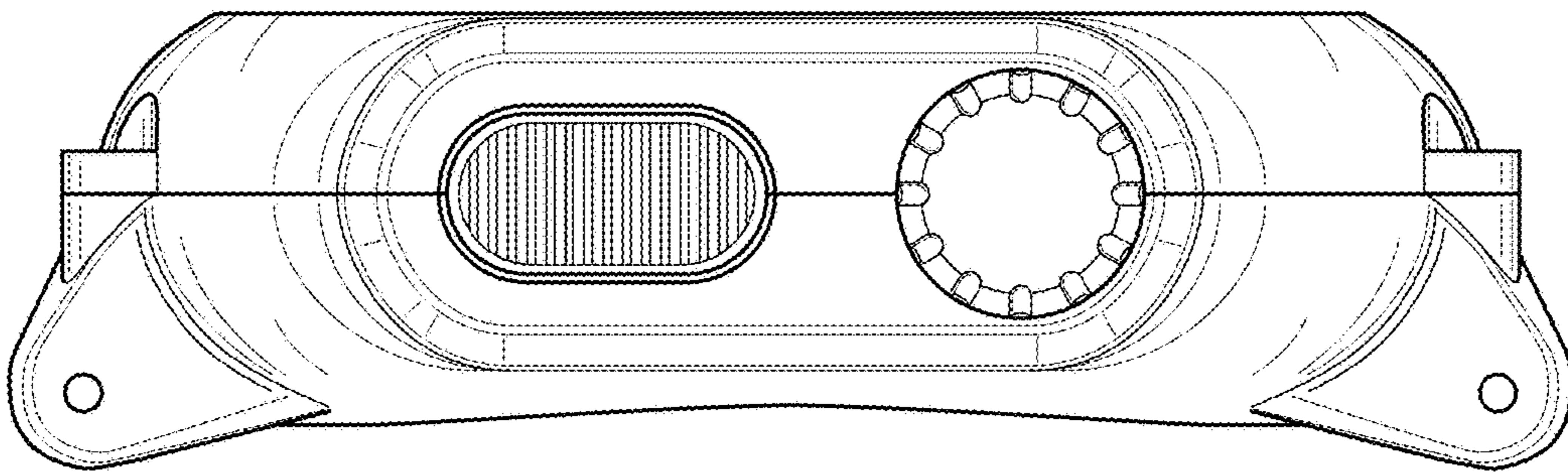


Fig. 12

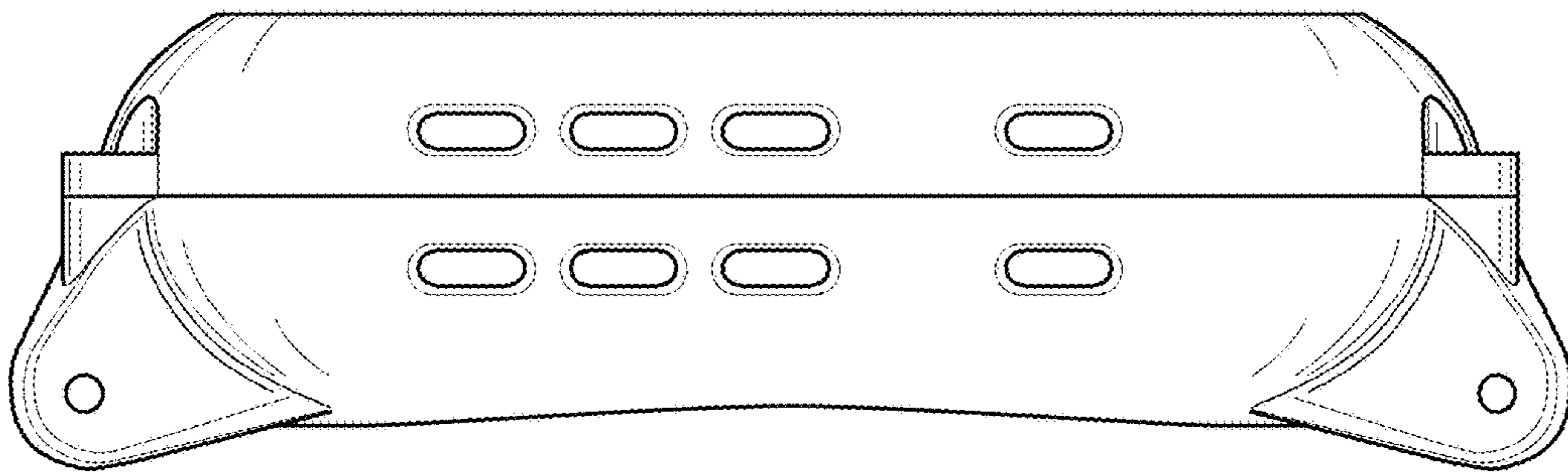


Fig. 13

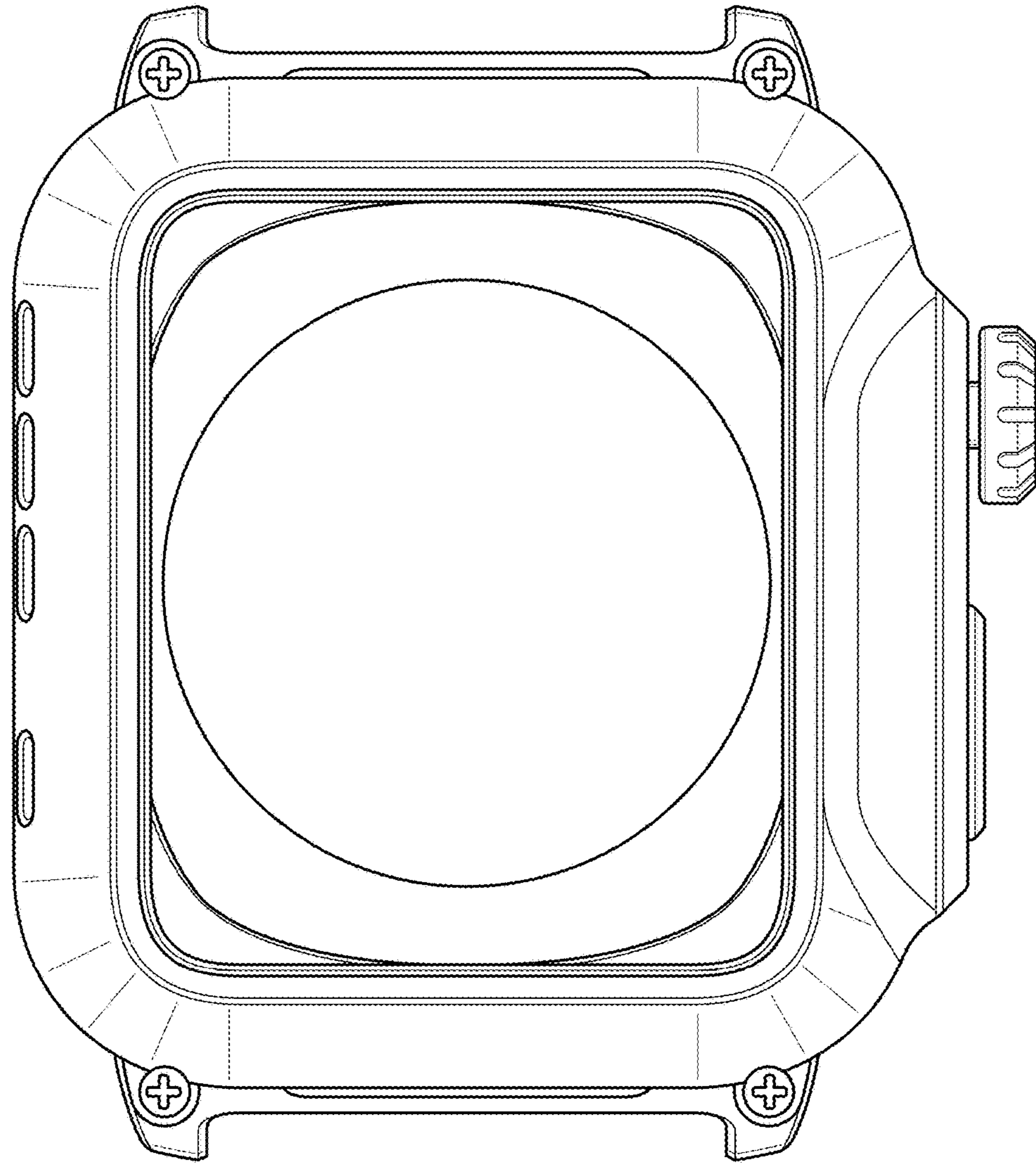


Fig. 14



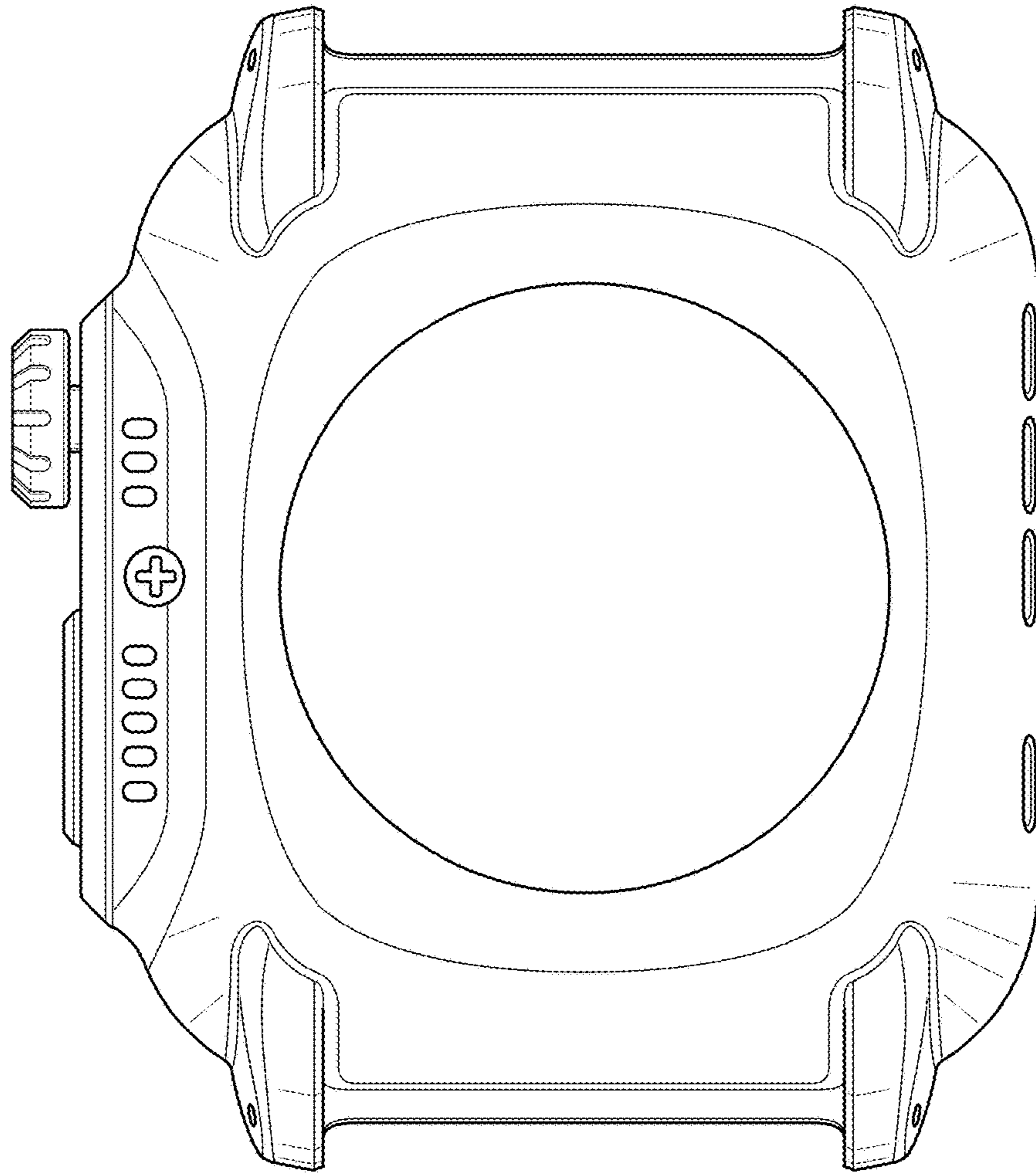


Fig. 15

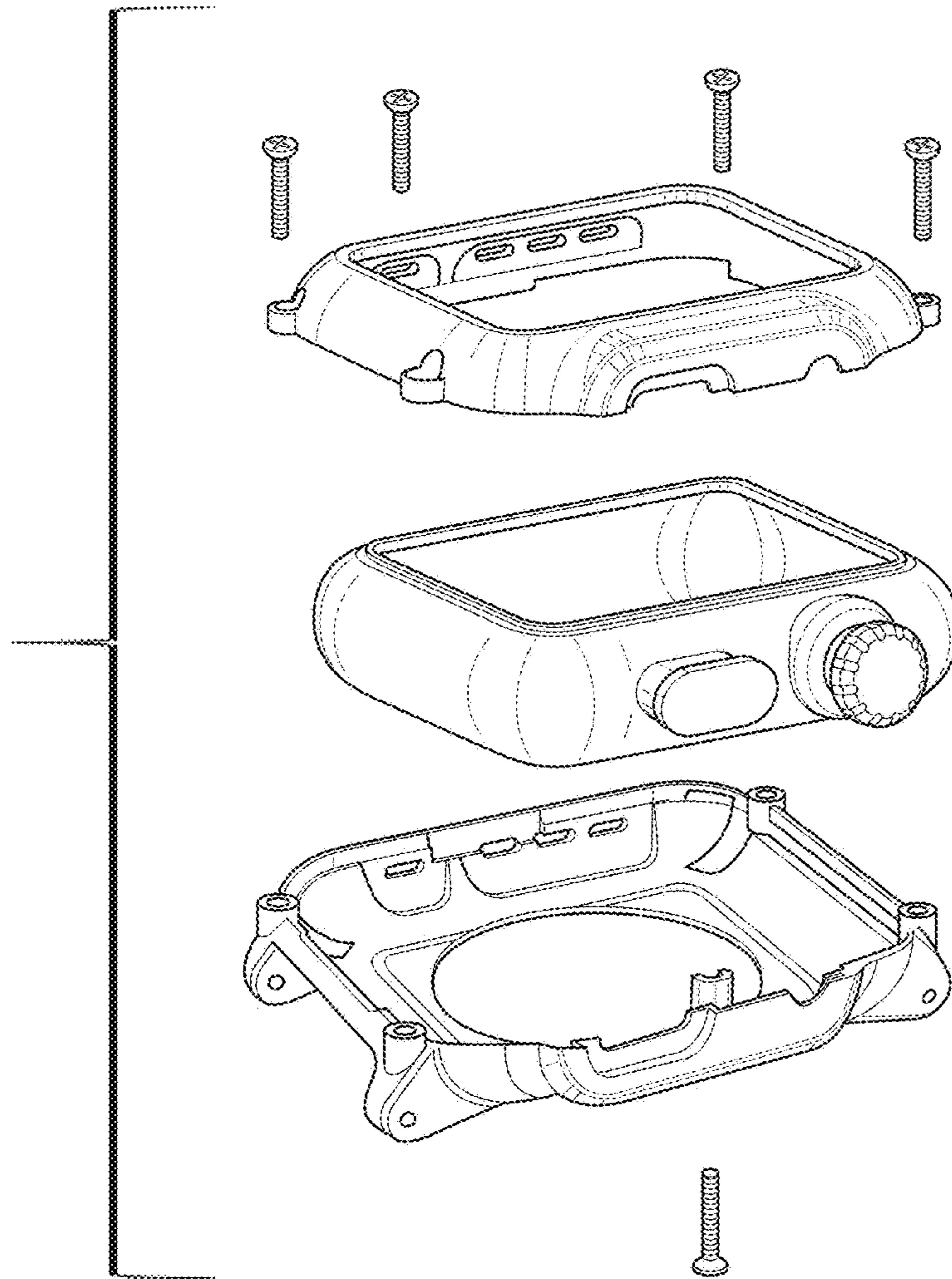


Fig. 16