

US00D795088S

(12) **United States Design Patent** (10) **Patent No.:** **US D795,088 S**
Monachon (45) **Date of Patent:** **** Aug. 22, 2017**

(54) **WATCH**

(71) Applicant: **OMEGA LTD.**, Biel/Bienne (CH)

(72) Inventor: **Jean-Claude Monachon**, Bevaix (CH)

(73) Assignee: **OMEGA LTD.**, Biel/Bienne (CH)

(**) Term: **15 Years**

(21) Appl. No.: **29/539,173**

(22) Filed: **Sep. 11, 2015**

(30) **Foreign Application Priority Data**

Mar. 13, 2015 (WO) DM/085 860

(51) **LOC (10) Cl.** **10-02**

(52) **U.S. Cl.**

USPC **D10/30**

(58) **Field of Classification Search**

USPC D10/1, 17, 22, 30-39, 122-132; D11/3, D11/12, 19, 21

CPC G04B 45/0069; G04B 45/0076; G04B 47/04; G04B 47/042; G04B 37/0008; G04B 19/06; G04F 7/08

See application file for complete search history.

(56) **References Cited**

U.S. PATENT DOCUMENTS

D159,306 S * 7/1950 Warren D10/39

3,554,414 A * 1/1971 Gluck A44C 5/14

24/265 WS

4,970,708 A * 11/1990 Gagnebin G04B 37/0008

368/281

D324,828 S * 3/1992 Wunderman D10/32

D356,040 S * 3/1995 Bulgari D10/30

5,398,218 A * 3/1995 Munnier G04B 37/1486

224/164

D371,745 S * 7/1996 Wunderman D10/32

D390,148 S * 2/1998 Brzezinski D10/30

5,914,913 A * 6/1999 Shriqui A44C 5/14

224/164

D452,175 S * 12/2001 Finazzi D10/39

D530,627 S * 10/2006 Senggen D10/32

D530,628 S * 10/2006 Raffy D10/32

D617,662 S * 6/2010 Monachon D10/32

D620,383 S * 7/2010 Levy D10/128

D625,203 S * 10/2010 Giannini D10/32

D643,315 S * 8/2011 De Witt D10/39

D656,845 S * 4/2012 Maier D10/39

D670,575 S * 11/2012 Giannini D10/32

D675,942 S * 2/2013 Giannini D10/33

D692,780 S * 11/2013 Dolce D10/39

D702,567 S * 4/2014 Monachon D10/32

D703,552 S * 4/2014 Monachon D10/32

D706,142 S * 6/2014 Monachon D10/32

D706,143 S * 6/2014 Monachon D10/32

D743,819 S * 11/2015 Golnik D10/70

D761,147 S * 7/2016 Monachon D11/12

D762,494 S * 8/2016 Galli D10/126

(Continued)

Primary Examiner — Sandra Snapp
Assistant Examiner — Katherine Glennon
 (74) *Attorney, Agent, or Firm* — Donald J. Ranft; Collen IP

(57) **CLAIM**

The ornamental design for a watch, as shown.

DESCRIPTION

FIG. 1 is a front right perspective view of a watch showing my new design;

FIG. 2 is a rear left perspective view thereof;

FIG. 3 is a front view thereof;

FIG. 4 is a rear view thereof;

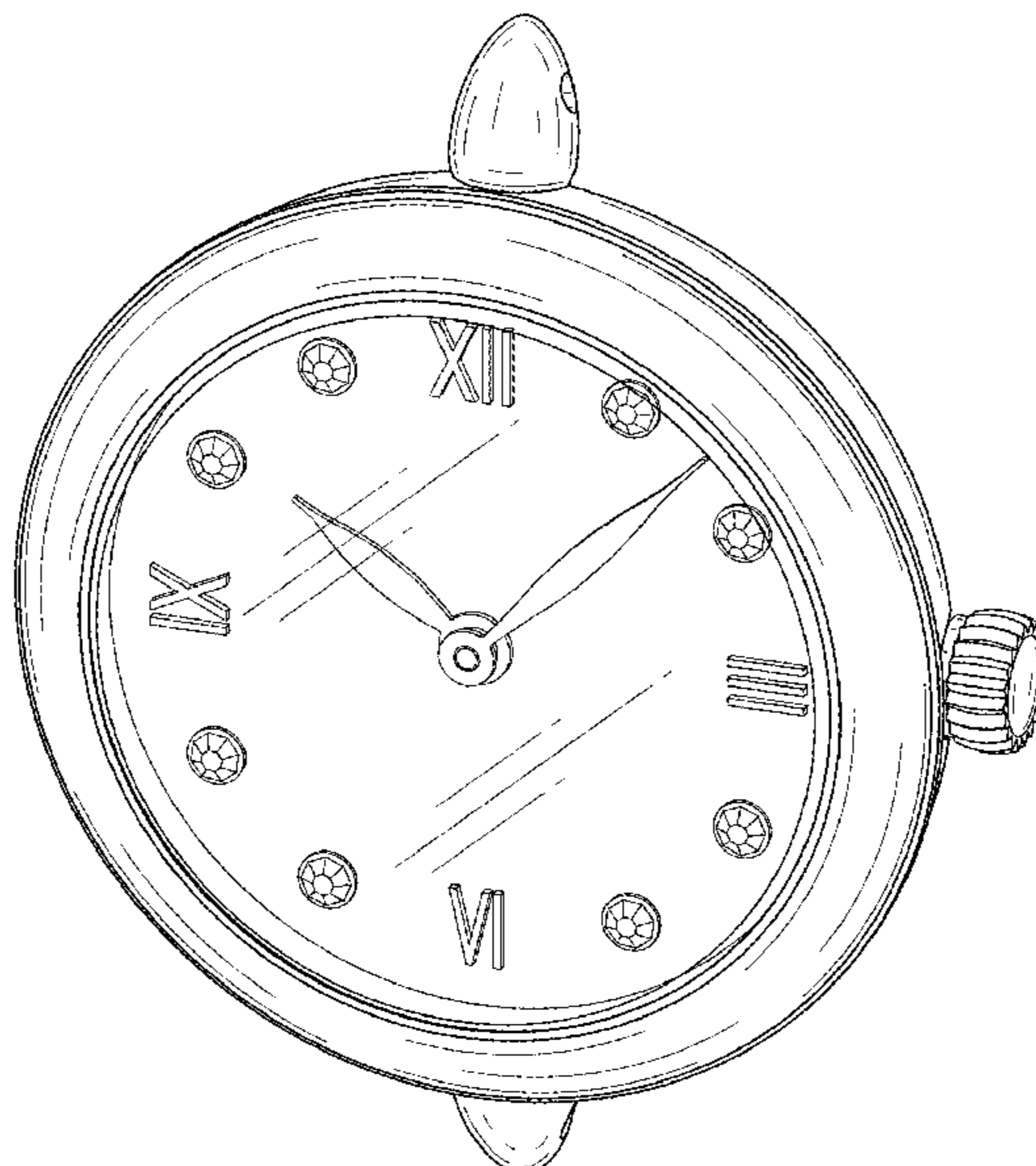
FIG. 5 is a left side view thereof;

FIG. 6 is a right side view thereof;

FIG. 7 is a top view thereof; and,

FIG. 8 is a bottom view thereof.

1 Claim, 6 Drawing Sheets



(56)

References Cited

U.S. PATENT DOCUMENTS

D763,114 S * 8/2016 Schroder D10/126
2013/0070573 A1* 3/2013 Oshio G04B 47/042
368/235

* cited by examiner

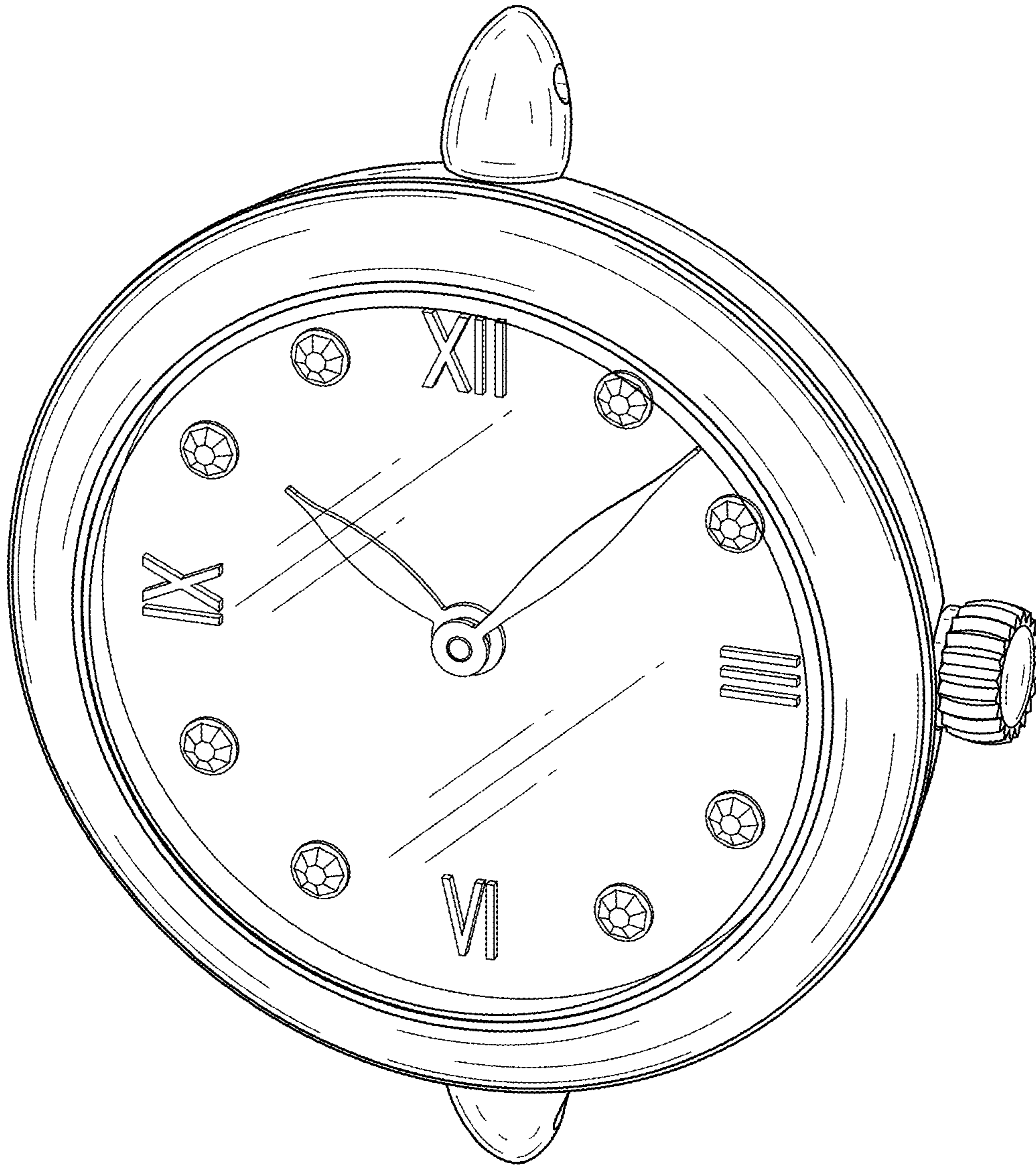


FIG. 1

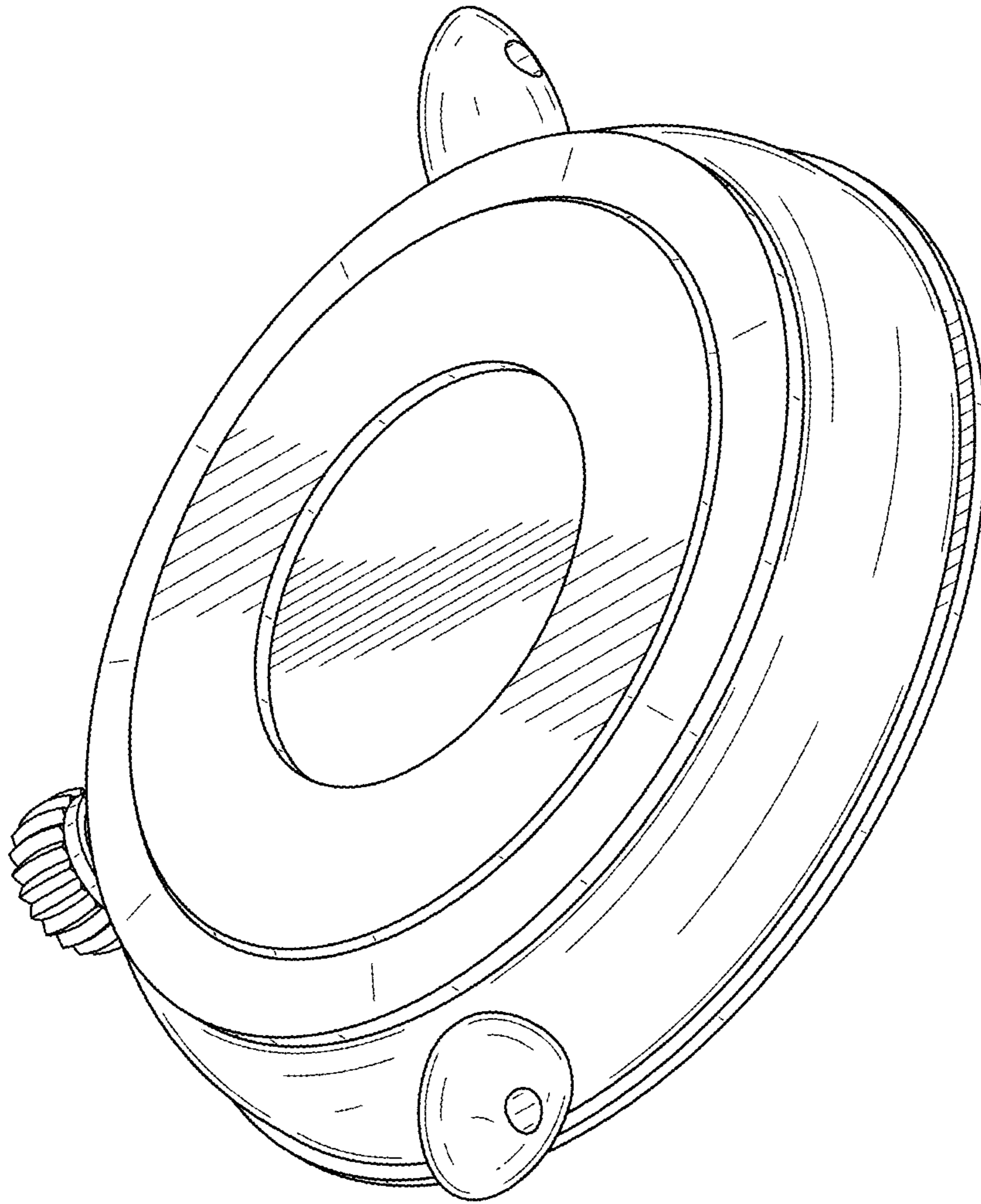


FIG. 2

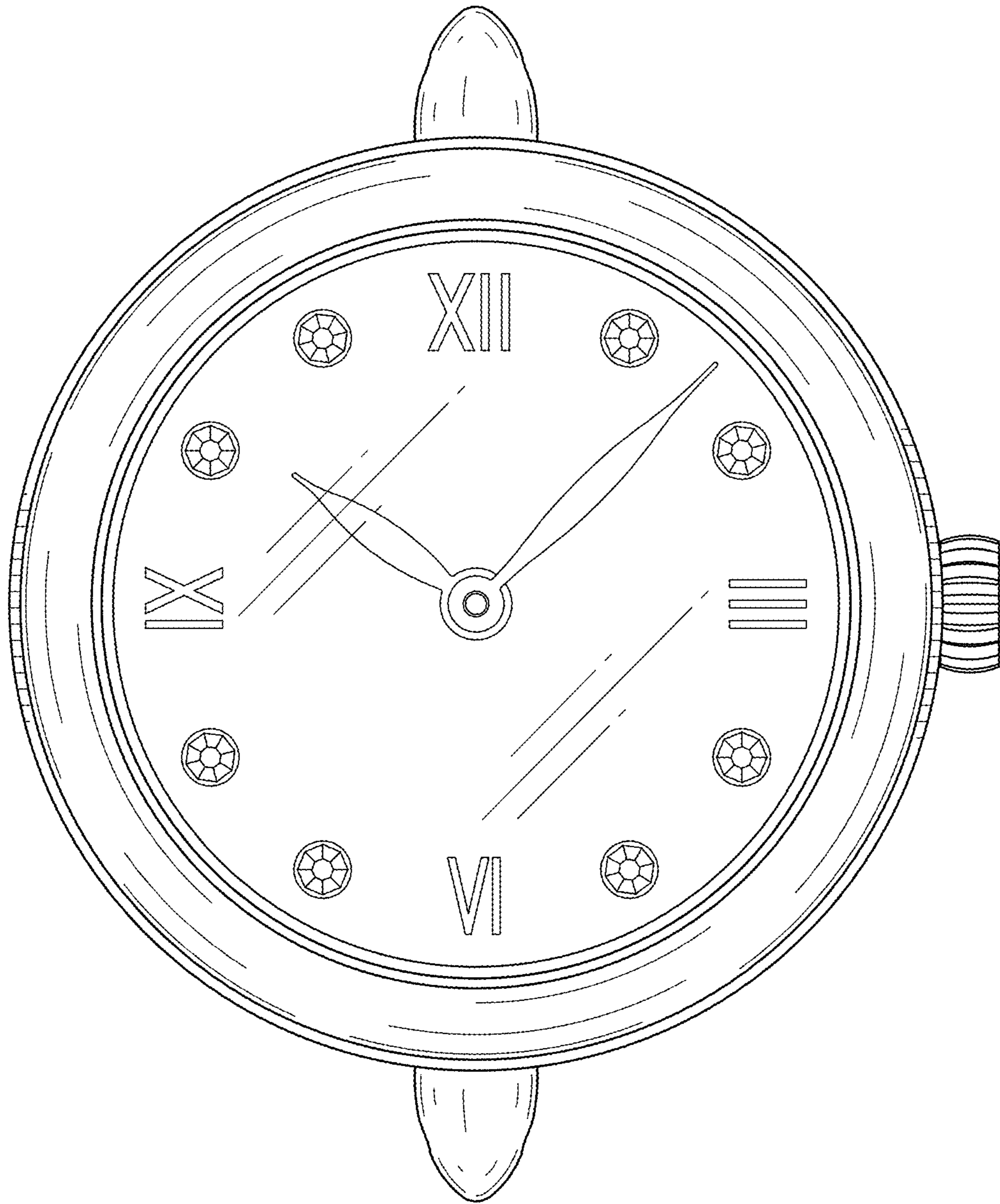


FIG. 3

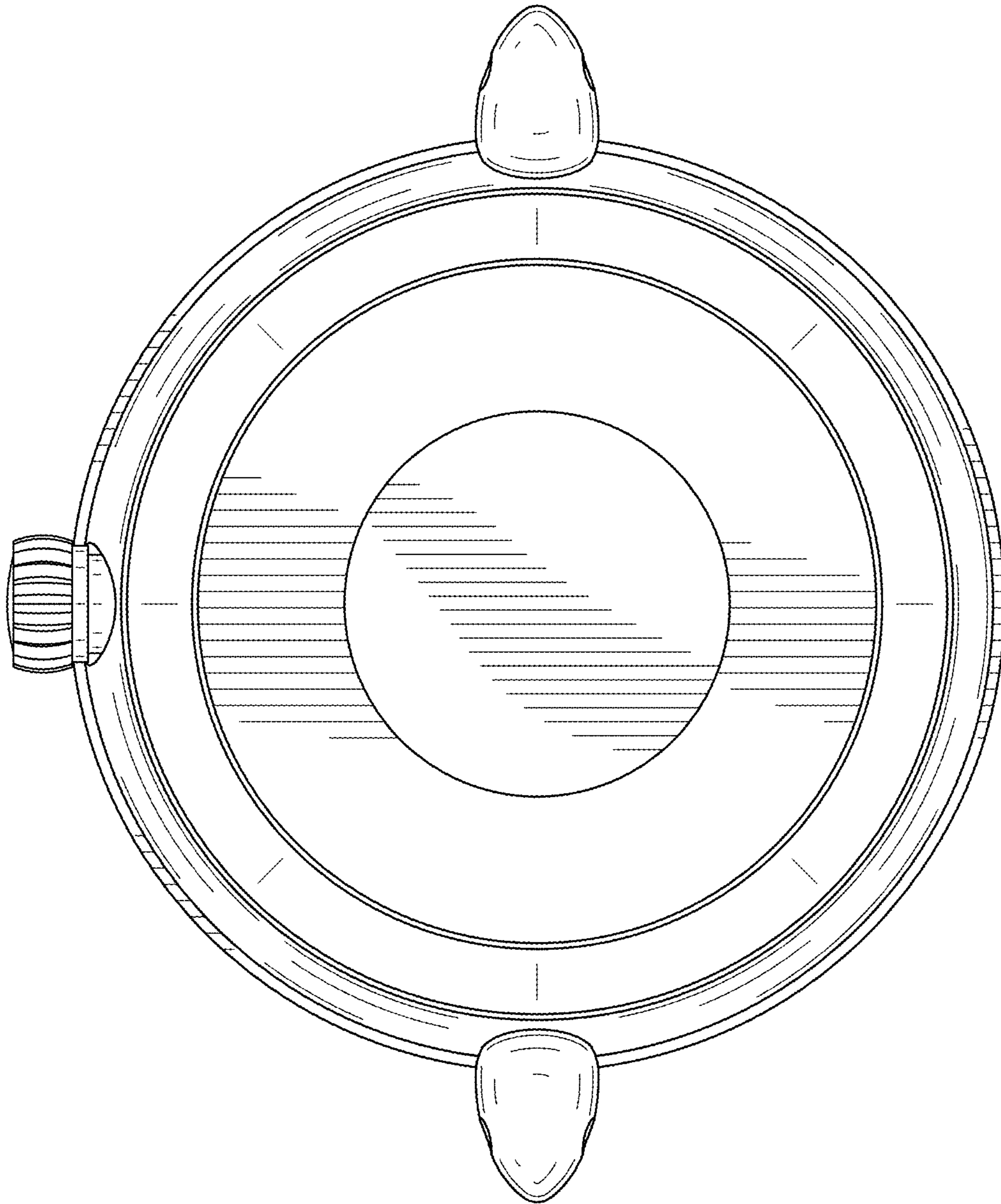


FIG. 4

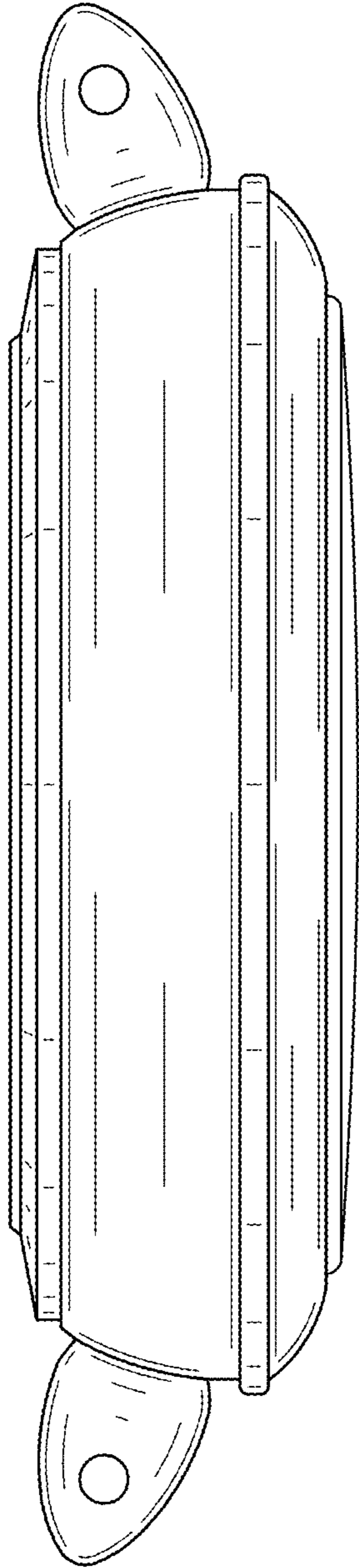


FIG. 5

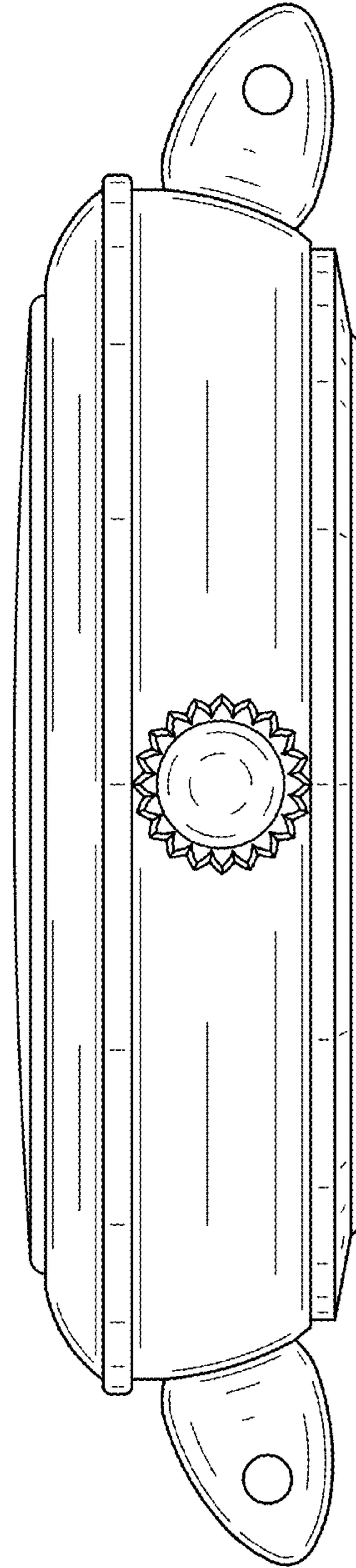


FIG. 6

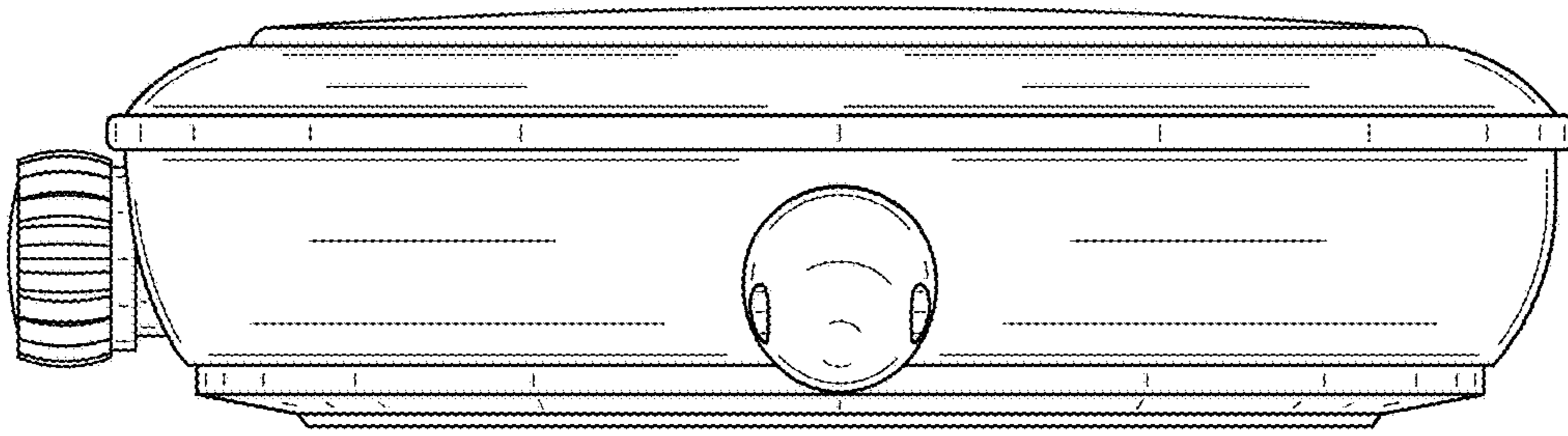


FIG. 7

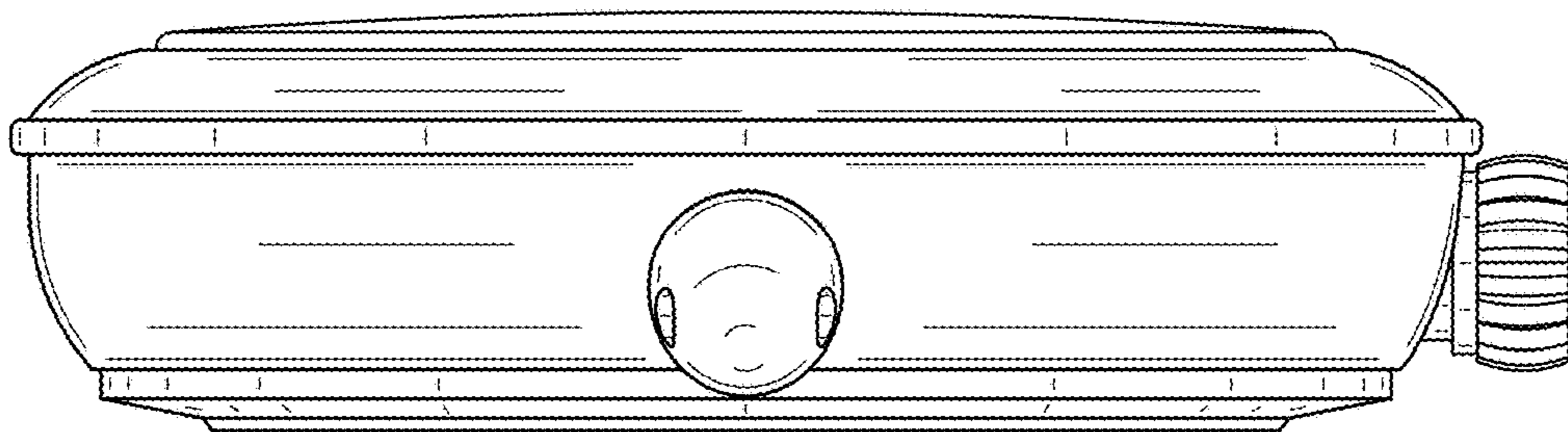


FIG. 8