



US00D795087S

(12) **United States Design Patent**
Monachon

(10) **Patent No.:** **US D795,087 S**

(45) **Date of Patent:** **** Aug. 22, 2017**

(54) **WATCH**

(71) Applicant: **OMEGA LTD.**, Biel/Bienne (CH)

(72) Inventor: **Jean-Claude Monachon**, Bevaix (CH)

(73) Assignee: **OMEGA LTD.**, Biel/Bienne (CH)

(**) Term: **15 Years**

(21) Appl. No.: **29/538,898**

(22) Filed: **Sep. 9, 2015**

(30) **Foreign Application Priority Data**

Mar. 10, 2015 (WO) DM/086 420

(51) **LOC (10) Cl.** **10-02**

(52) **U.S. Cl.**
USPC **D10/30**

(58) **Field of Classification Search**
USPC D10/1, 17, 22, 30-39, 122-132
CPC G04B 45/0069; G04B 45/0076; G04B
47/04; G04B 47/042; G04B 37/0008;
G04B 19/06; G04F 7/08
See application file for complete search history.

(56) **References Cited**

U.S. PATENT DOCUMENTS

- 2,361,563 A * 10/1944 Pellaton G04F 7/00
368/101
- D221,289 S * 7/1971 VanHaafden D10/39
- D362,395 S * 9/1995 Chodat D10/128
- D378,498 S * 3/1997 Wettstein D10/39
- D415,043 S * 10/1999 Fichter D10/126
- D474,118 S * 5/2003 Monachon D10/32
- D502,413 S * 3/2005 Sugiura D10/39
- D540,195 S * 4/2007 Nussbaumer D10/31

- D574,736 S * 8/2008 Actis-Datta D10/38
- D579,351 S * 10/2008 Monachon D10/39
- D656,416 S * 3/2012 Monachon D10/39
- D733,583 S * 7/2015 Monachon D10/126
- D736,654 S * 8/2015 Monachon D10/126
- D736,655 S * 8/2015 Monachon D10/126
- D738,227 S * 9/2015 Monachon D10/126
- D746,713 S * 1/2016 Cerrato D10/126
- D748,501 S * 2/2016 Cerrato D10/30
- D749,448 S * 2/2016 Monachon D10/126
- D773,333 S * 12/2016 Monachon D10/126
- 2009/0245032 A1* 10/2009 Bonnet G04B 37/0008
368/297
- 2011/0063953 A1* 3/2011 Hasegawa G04C 3/143
368/80
- 2012/0182838 A1* 7/2012 Farron G04B 27/026
368/18

* cited by examiner

Primary Examiner — Sandra Snapp

Assistant Examiner — Katherine Glennon

(74) *Attorney, Agent, or Firm* — Donald J. Ranft; Collen IP

(57) **CLAIM**

The ornamental design for a watch, as shown.

DESCRIPTION

FIG. 1 is a front right perspective view of a watch showing my new design;
 FIG. 2 is a rear right perspective view thereof;
 FIG. 3 is a front view thereof;
 FIG. 4 is a rear view thereof;
 FIG. 5 is a left side view thereof;
 FIG. 6 is a right side view thereof;
 FIG. 7 is a top view thereof; and,
 FIG. 8 is a bottom view thereof.

1 Claim, 8 Drawing Sheets

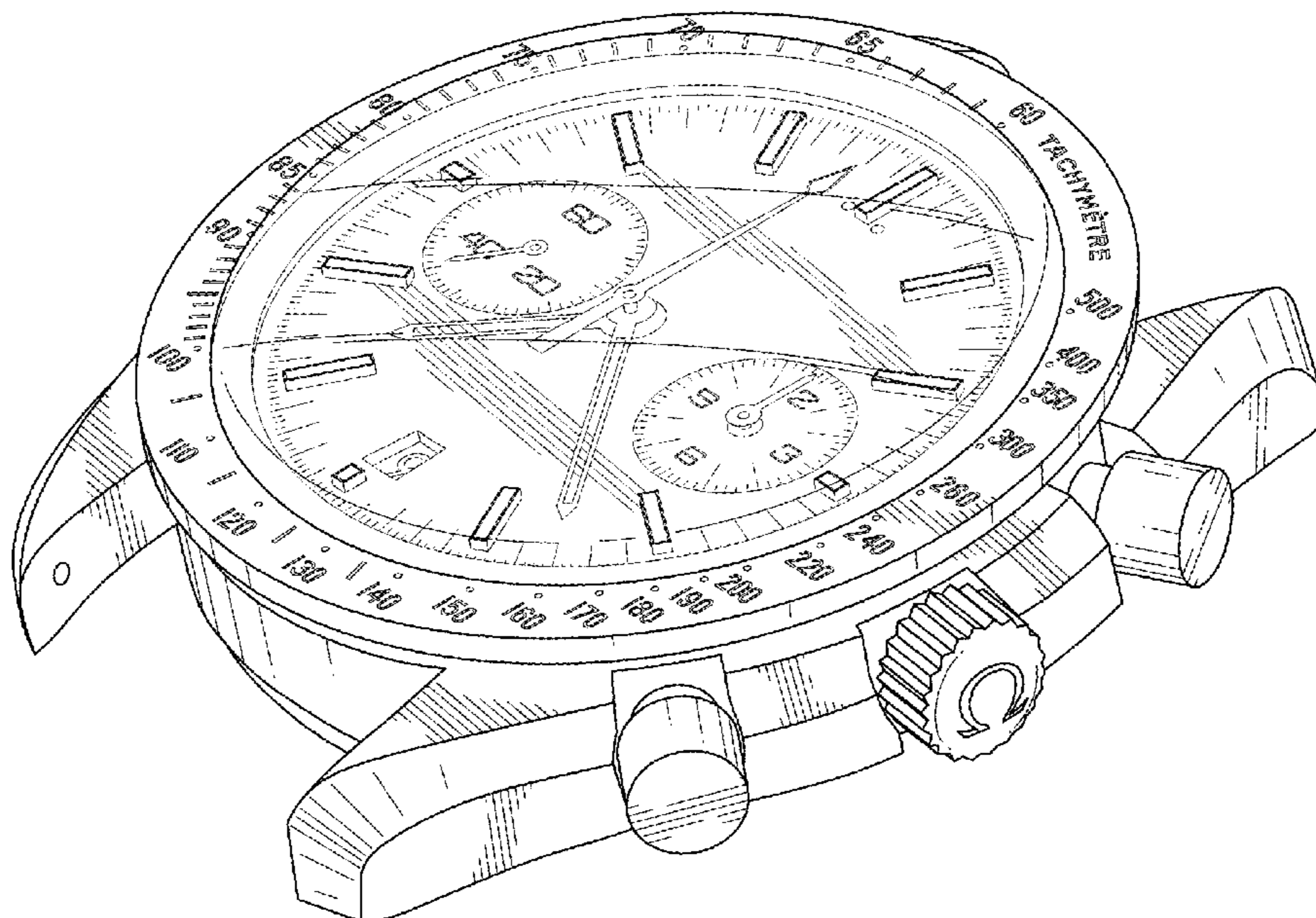




FIG. 1

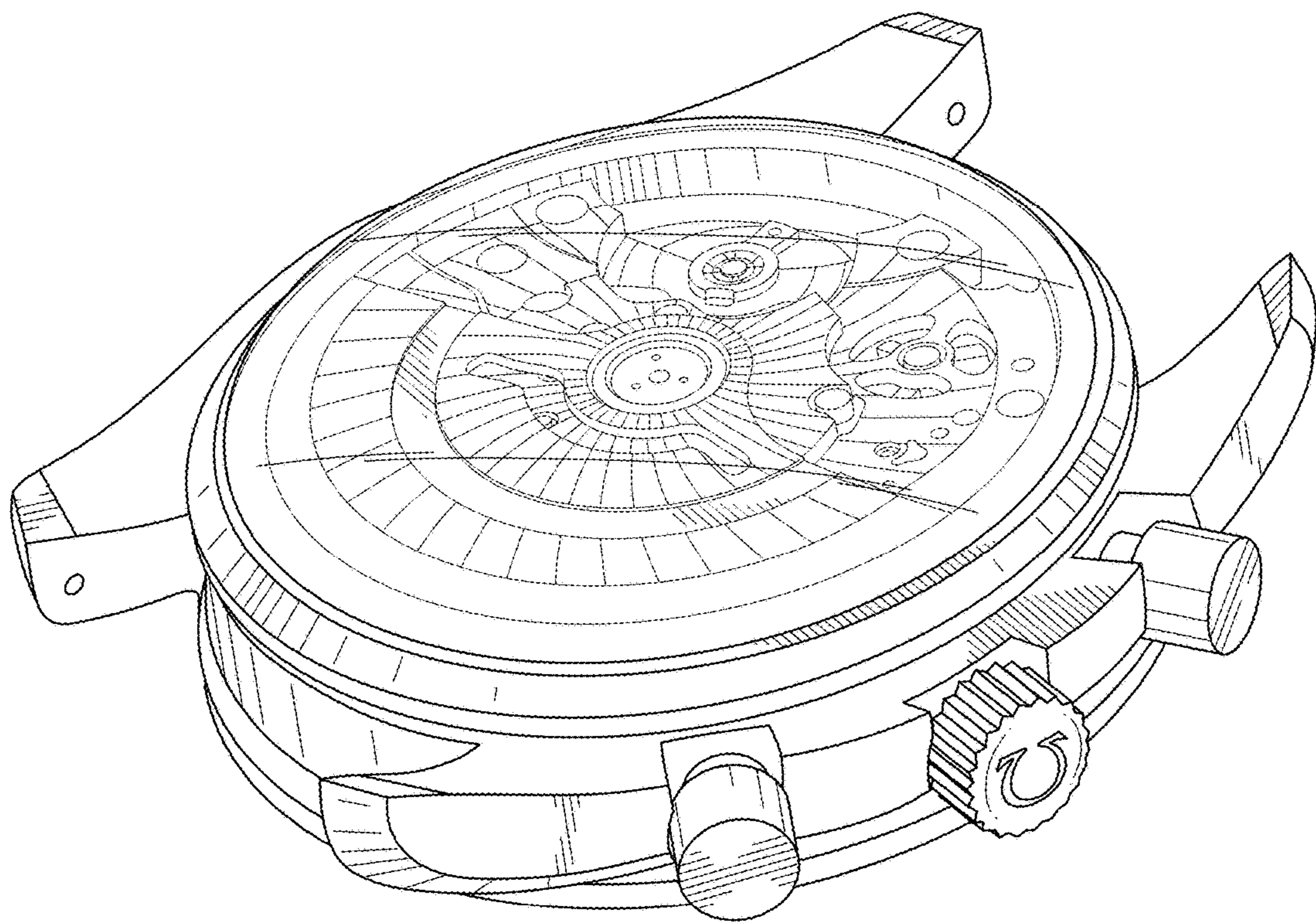


FIG. 2



FIG. 3

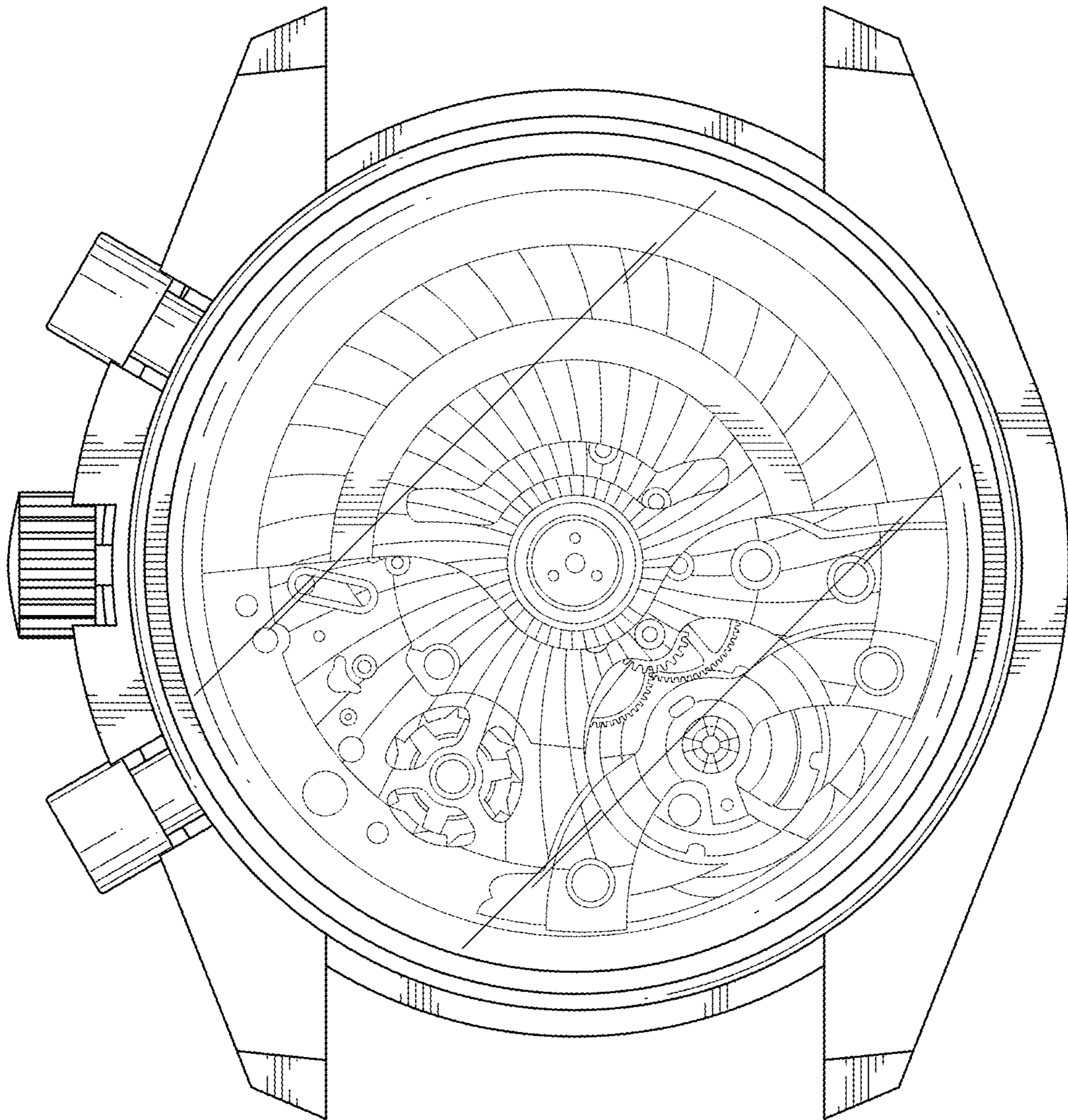


FIG.4

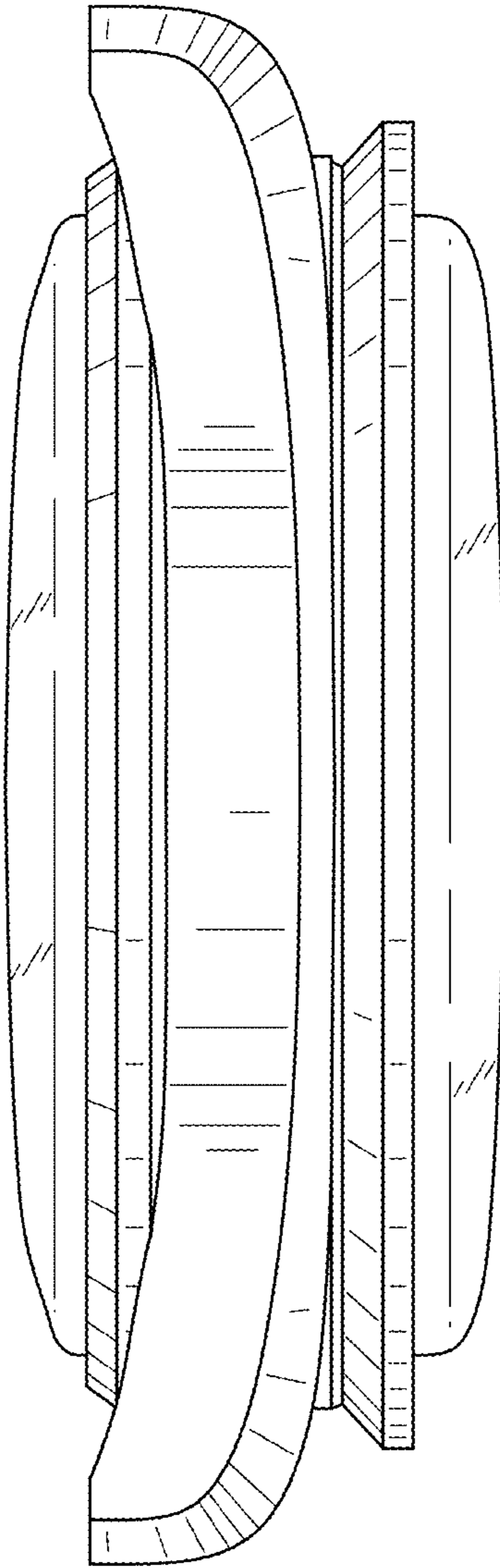


FIG.5

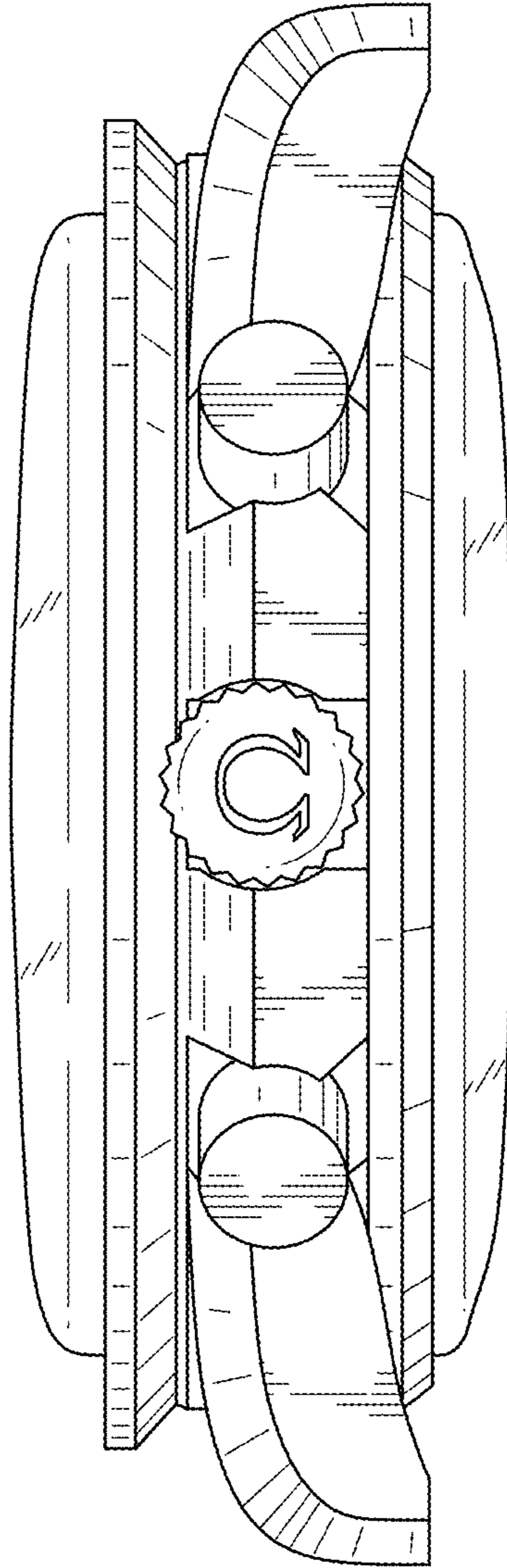


FIG. 6

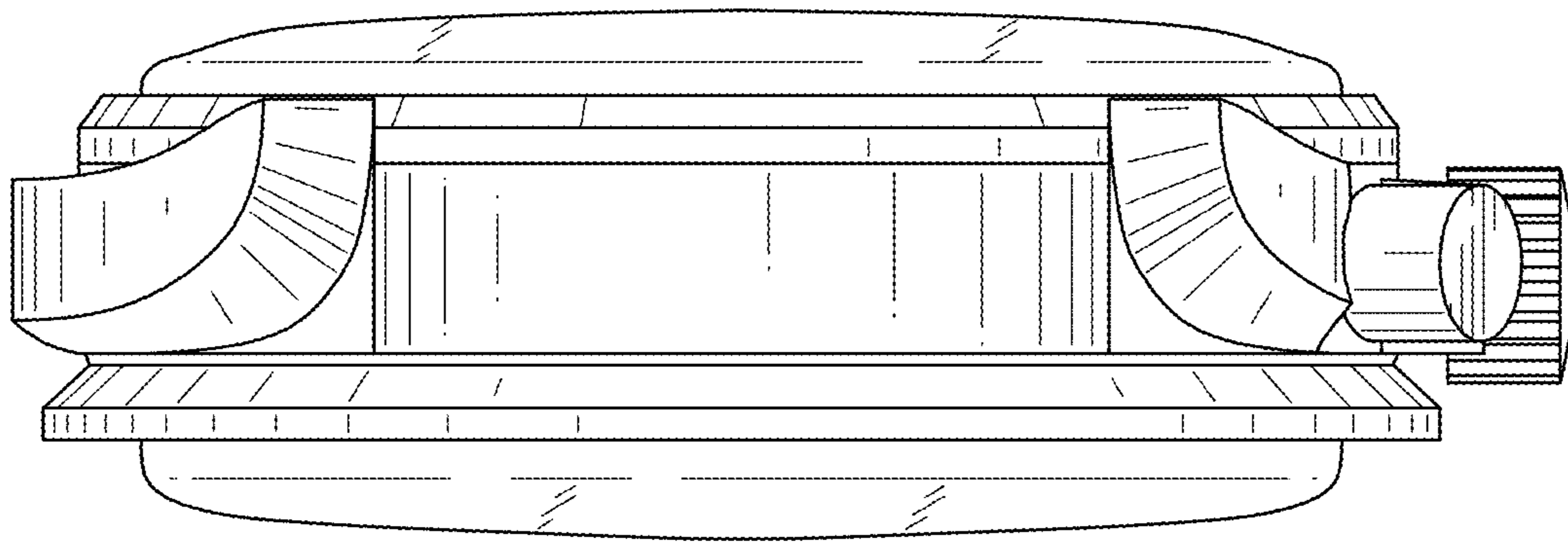


FIG. 7

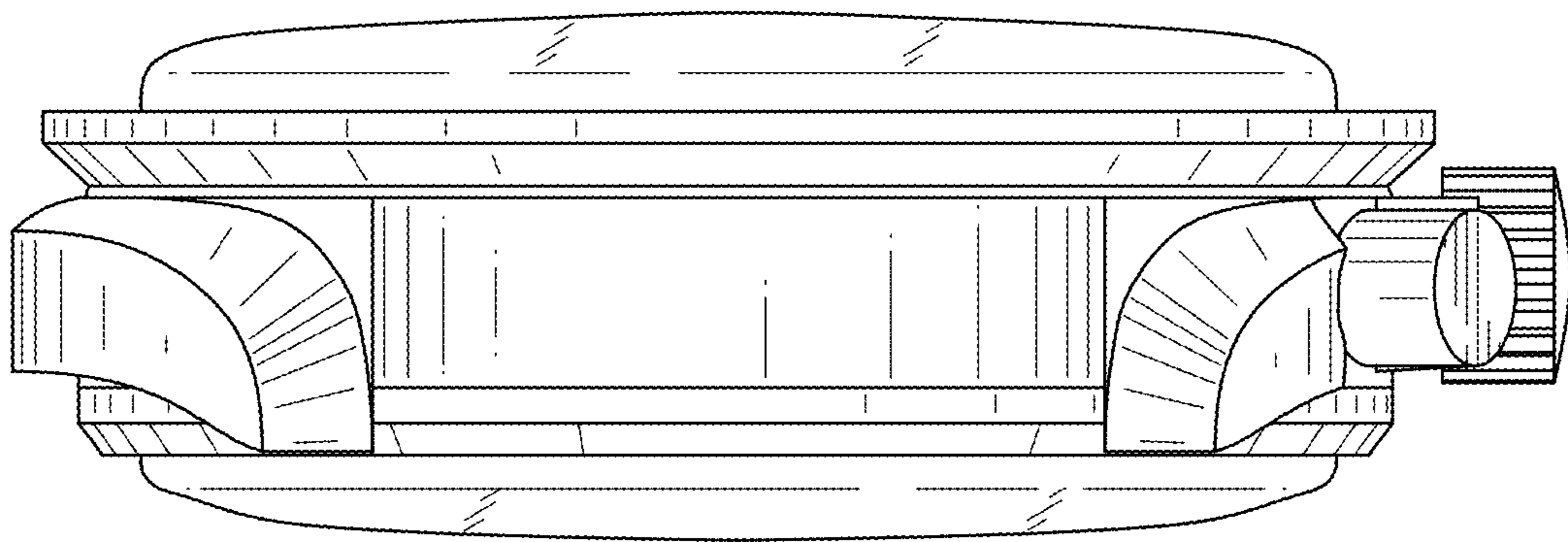


FIG.8