



US00D795085S

(12) **United States Design Patent** (10) **Patent No.:** **US D795,085 S**
Monachon (45) **Date of Patent:** **** Aug. 22, 2017**

(54) **WATCH**
(71) Applicant: **OMEGA LTD.**, Biel/Bienne (CH)
(72) Inventor: **Jean-Claude Monachon**, Bevaix (CH)
(73) Assignee: **OMEGA LTD.**, Biel/Bienne (CH)
(**) Term: **15 Years**
(21) Appl. No.: **29/538,870**
(22) Filed: **Sep. 9, 2015**

D570,230 S * 6/2008 Monachon D10/32
D579,351 S * 10/2008 Monachon D10/39
7,568,831 B2 * 8/2009 Greubel G04B 45/02
368/127
D624,440 S * 9/2010 Wunderman D10/32
D708,965 S * 7/2014 Monachon D10/39
D709,389 S * 7/2014 Monachon D10/39
D724,446 S * 3/2015 Favre D10/124
D733,584 S * 7/2015 Kamilindi D10/39
D740,696 S * 10/2015 Monachon D10/126
D748,501 S * 2/2016 Cerrato D10/30
D749,448 S * 2/2016 Monachon D10/126
D773,333 S * 12/2016 Monachon D10/126
2008/0198701 A1 * 8/2008 Lete G04B 19/283
368/127
2016/0246261 A1 * 8/2016 Zaugg G04F 7/0828

(30) **Foreign Application Priority Data**

Mar. 10, 2015 (WO) DM/085 818

(51) **LOC (10) Cl.** **10-02**
(52) **U.S. Cl.**
USPC **D10/30**

(58) **Field of Classification Search**
USPC D10/1, 17, 22, 30-39, 122-132
CPC G04B 45/0069; G04B 45/0076; G04B
47/04; G04B 47/042; G04B 37/0008;
G04B 19/06; G04F 7/08
See application file for complete search history.

(56) **References Cited**

U.S. PATENT DOCUMENTS

D326,232 S * 5/1992 Kurebayashi D10/39
5,608,694 A * 3/1997 Grimm G04B 17/285
368/127
D396,653 S * 8/1998 Bulgari D10/30
D436,044 S * 1/2001 Subilia D10/30
D489,018 S * 4/2004 Grotell D10/126
D547,211 S * 7/2007 Dias D10/39
D547,212 S * 7/2007 Dias D10/39
D554,535 S * 11/2007 Journe D10/31

* cited by examiner

Primary Examiner — Sandra Snapp
Assistant Examiner — Katherine Glennon
(74) *Attorney, Agent, or Firm* — Donald J. Ranft; Collen
IP

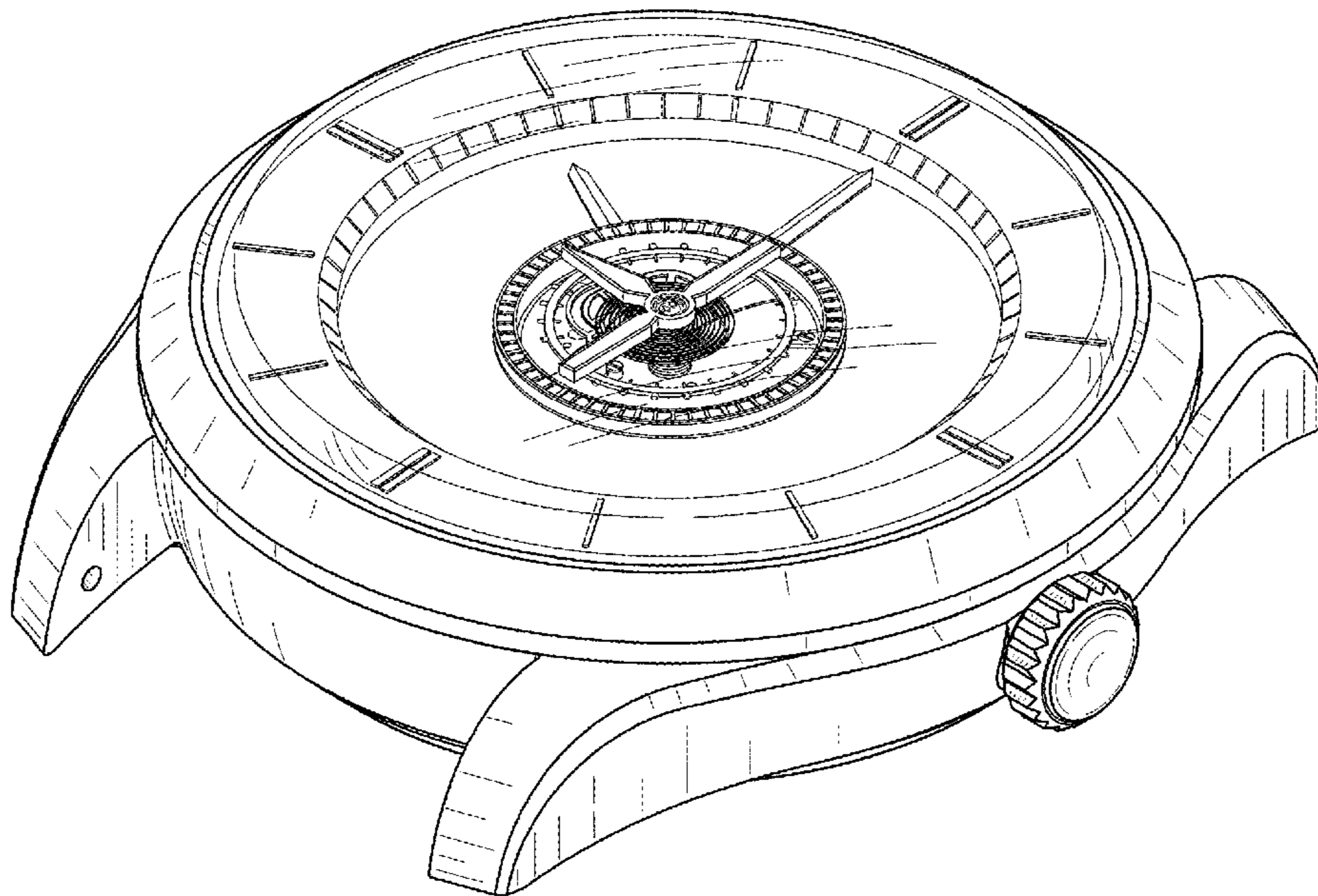
(57) **CLAIM**

The ornamental design for a watch, as shown.

DESCRIPTION

FIG. 1 is a front right perspective view of a watch showing my new design;
FIG. 2 is a front view thereof;
FIG. 3 is a rear view thereof;
FIG. 4 is a left side view thereof;
FIG. 5 is a right side view thereof;
FIG. 6 is a top view thereof;
FIG. 7 is a bottom view thereof; and,
FIG. 8 is a rear right perspective view thereof.

1 Claim, 6 Drawing Sheets



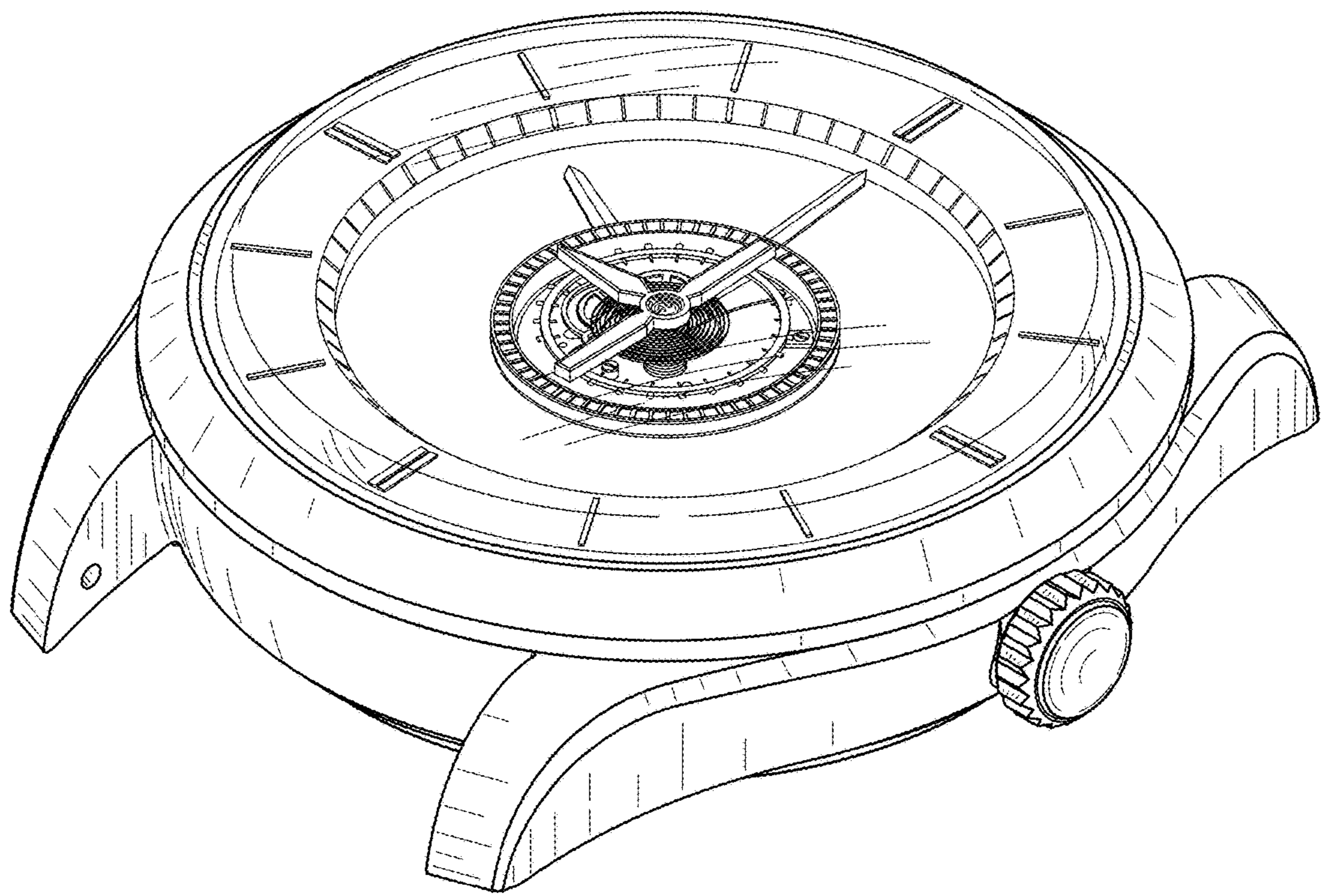


FIG. 1

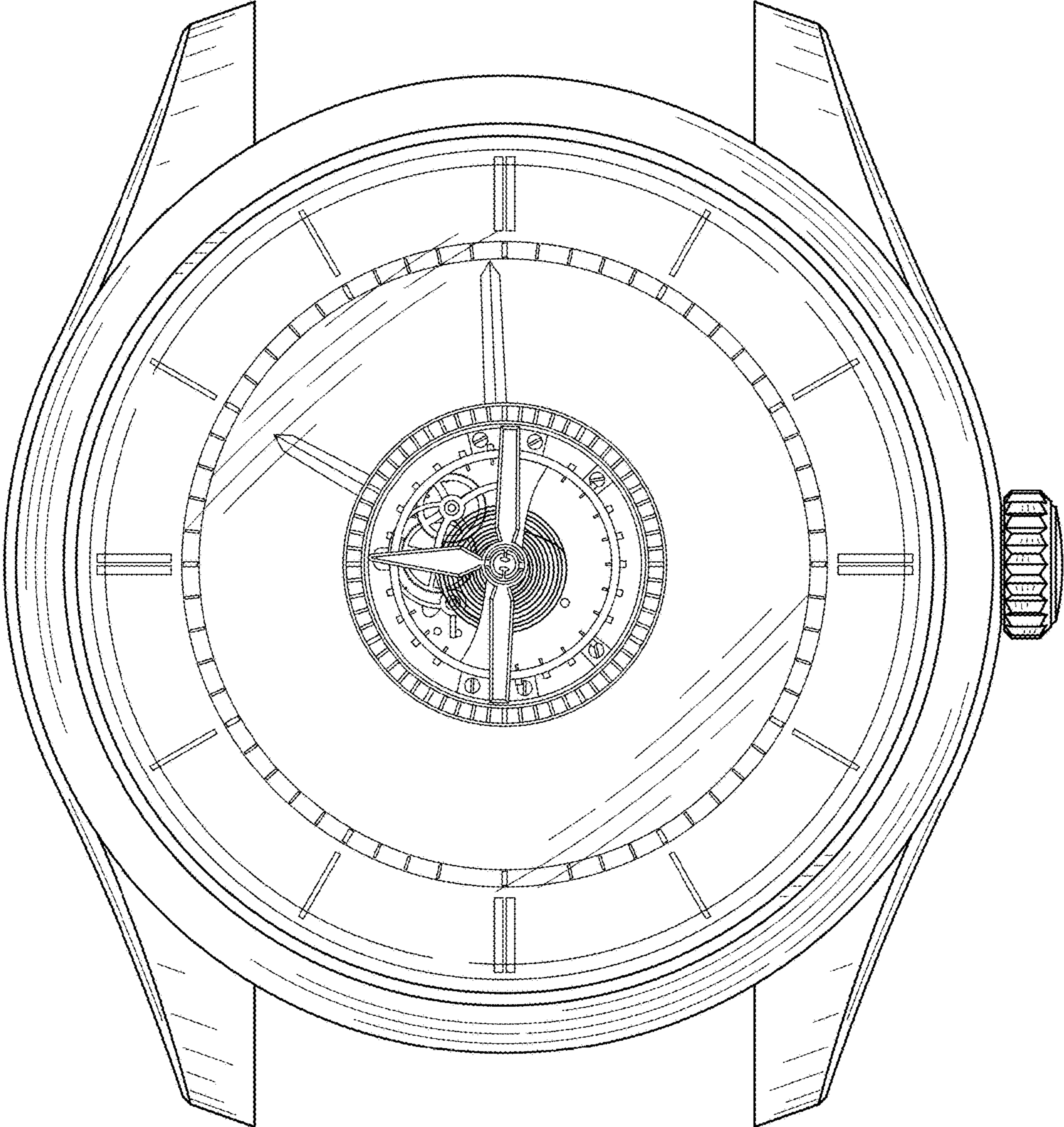


FIG. 2

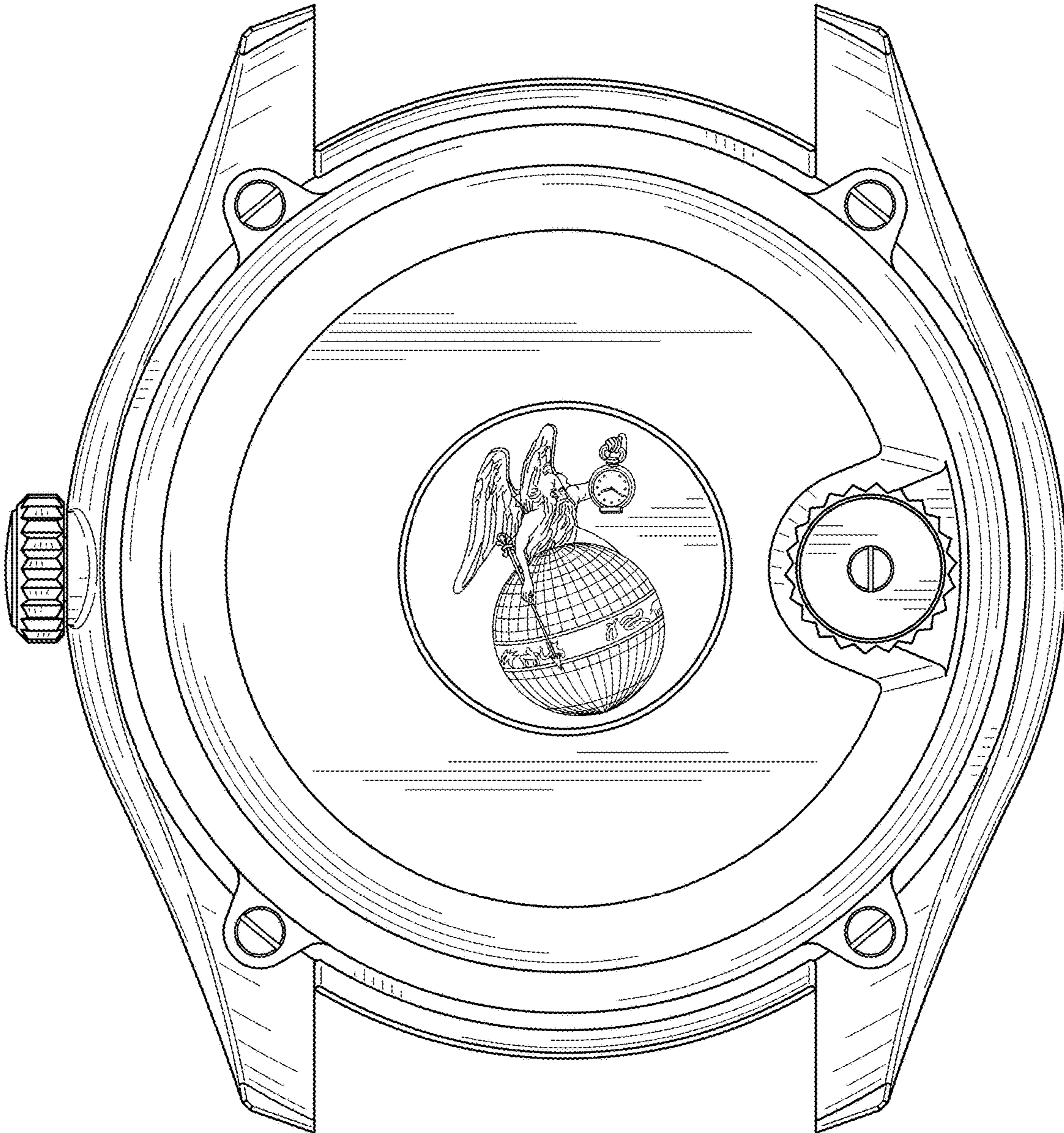


FIG. 3

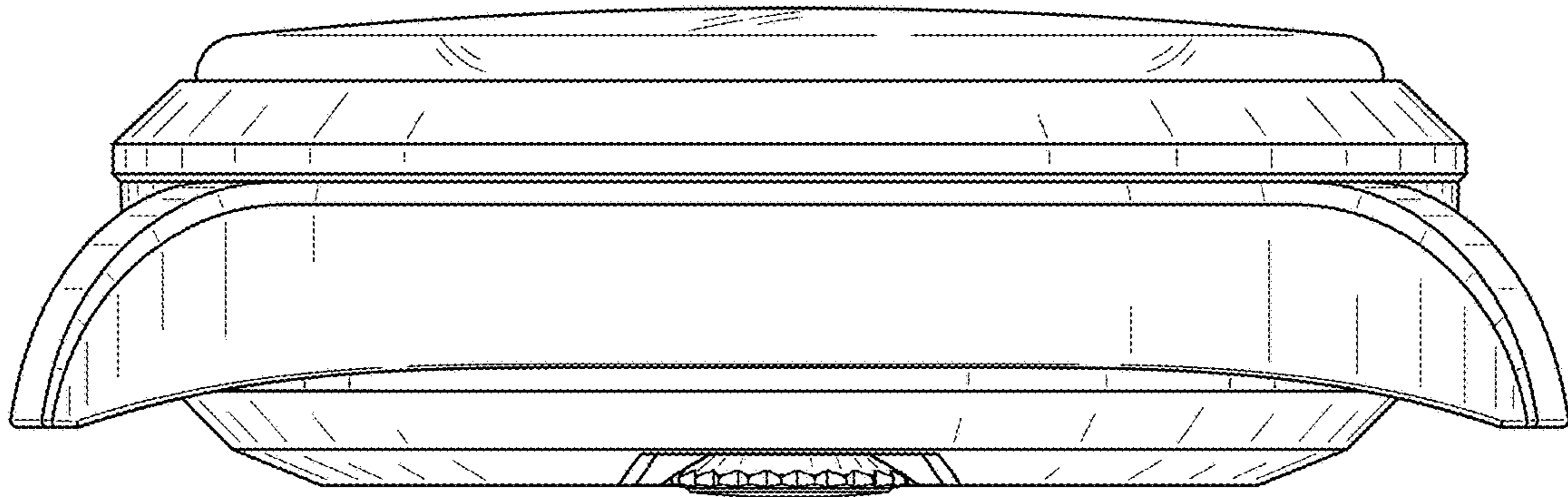


FIG. 4

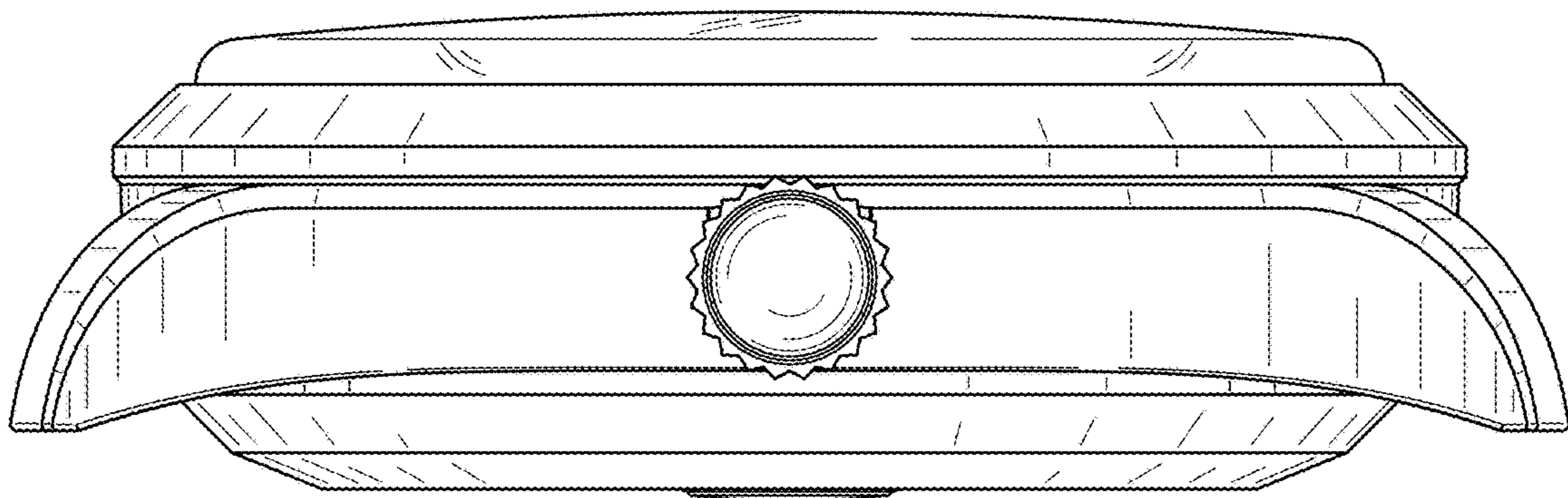


FIG. 5

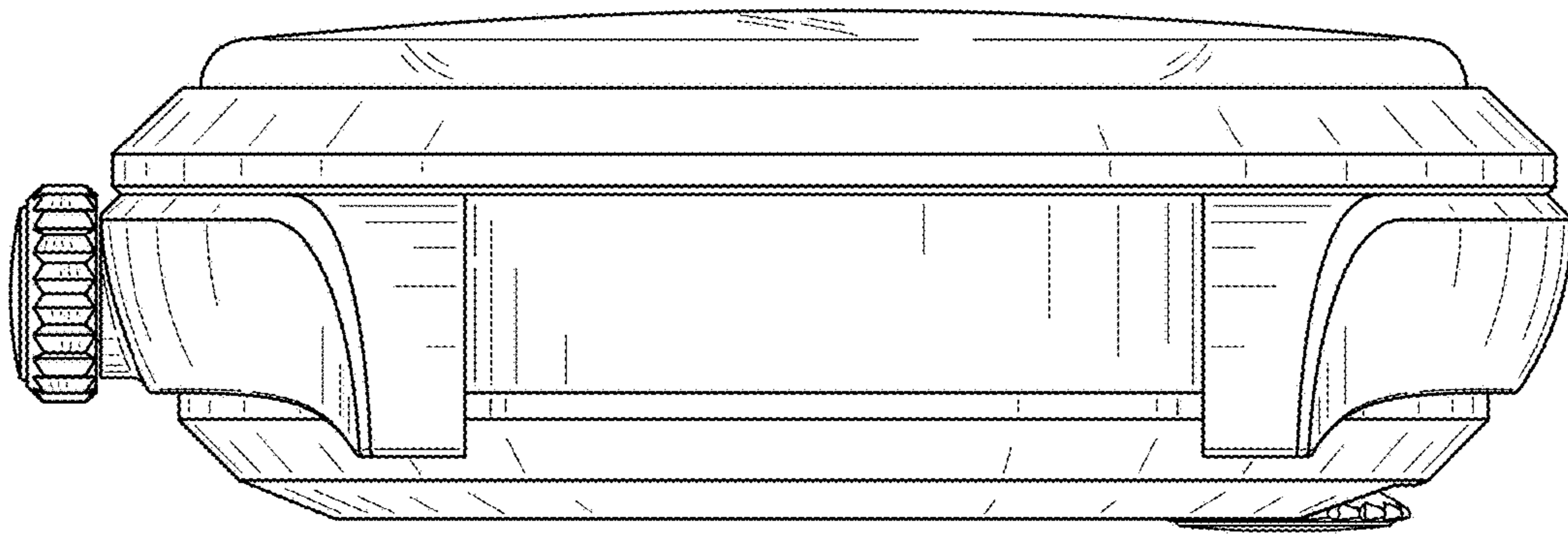


FIG. 6

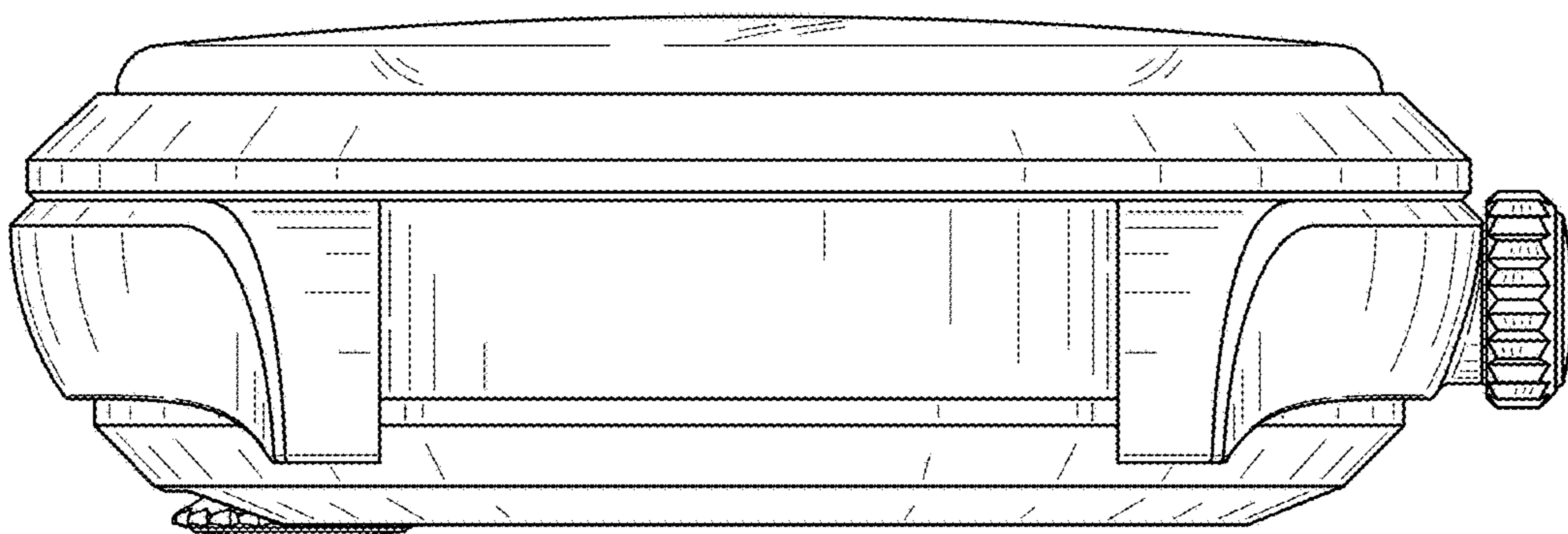


FIG. 7

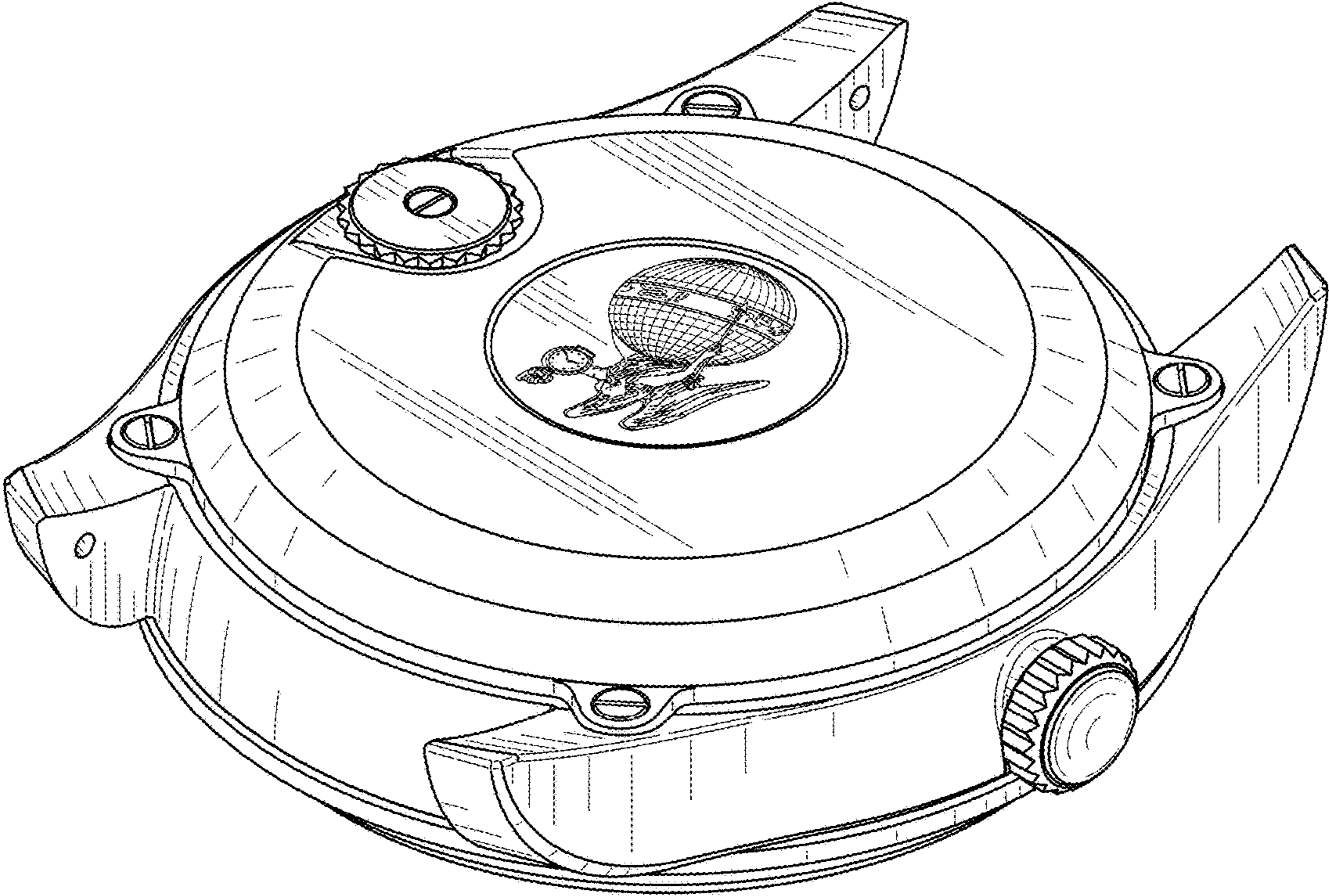


FIG. 8