



US00D795082S

(12) **United States Design Patent**
Gonzalez

(10) **Patent No.:** **US D795,082 S**

(45) **Date of Patent:** **** Aug. 22, 2017**

(54) **DUAL CHAMBER BOTTLE**

(71) Applicant: **THE CLOROX COMPANY**, Oakland, CA (US)

(72) Inventor: **German R. Gonzalez**, Pleasanton, CA (US)

(73) Assignee: **The Clorox Company**, Oakland, CA (US)

(**) Term: **15 Years**

(21) Appl. No.: **29/567,985**

(22) Filed: **Jun. 14, 2016**

(51) **LOC (10) Cl.** **09-01**

(52) **U.S. Cl.**
USPC **D9/742**

(58) **Field of Classification Search**
USPC D9/741, 516, 529, 559, 564-566, 561, D9/562, 575, 737, 738, 686, 689, 691,
(Continued)

(56) **References Cited**

U.S. PATENT DOCUMENTS

D192,980 S * 6/1962 Mangini et al. D9/741
D194,165 S * 11/1962 Riley et al. D9/741
(Continued)

FOREIGN PATENT DOCUMENTS

EP 0449046 A2 10/1991
EP 0449046 A3 10/1991
(Continued)

OTHER PUBLICATIONS

Ministero dello Sviluppo Economico, Rapporto Di Ricerca. Italian Ministry of Economic Development Search Report. Application No. IO 47377/IT BS20140085. Jan. 7, 2015, Munich.

(Continued)

Primary Examiner — Cathron Brooks

Assistant Examiner — Teddy Falloway

(74) *Attorney, Agent, or Firm* — Erin Collins

(57) **CLAIM**

The ornamental design for a dual chamber bottle, as shown and described.

DESCRIPTION

The present application is related to U.S. patent application Ser. No. 15/132,025, filed Apr. 18, 2016 and entitled “Dual Chamber Spray Dispenser”, which is related to U.S. patent application Ser. No. 14/683,232, filed Apr. 10, 2015 and entitled “Trigger-Dispensing Device for Two or More Liquids”, which both claim the benefit of Italian Patent Application Ser. No. BS2014A000085, filed Apr. 18, 2014. The disclosure of each of the above patent application is incorporated by reference in its entirety.

FIG. 1 is a perspective view of a dual chamber bottle, showing the bottle coupled to a spray dispenser.

FIG. 2 is a top perspective view of the dual chamber bottle shown in FIG. 1.

FIG. 3 is a bottom perspective view of the dual chamber bottle shown in FIG. 2.

FIG. 4 is a first side view of the dual chamber bottle shown in FIG. 2.

FIG. 5 is a second, opposite side view of the dual chamber bottle shown in FIG. 2.

FIG. 6 is a front view of the dual chamber bottle shown in FIG. 2.

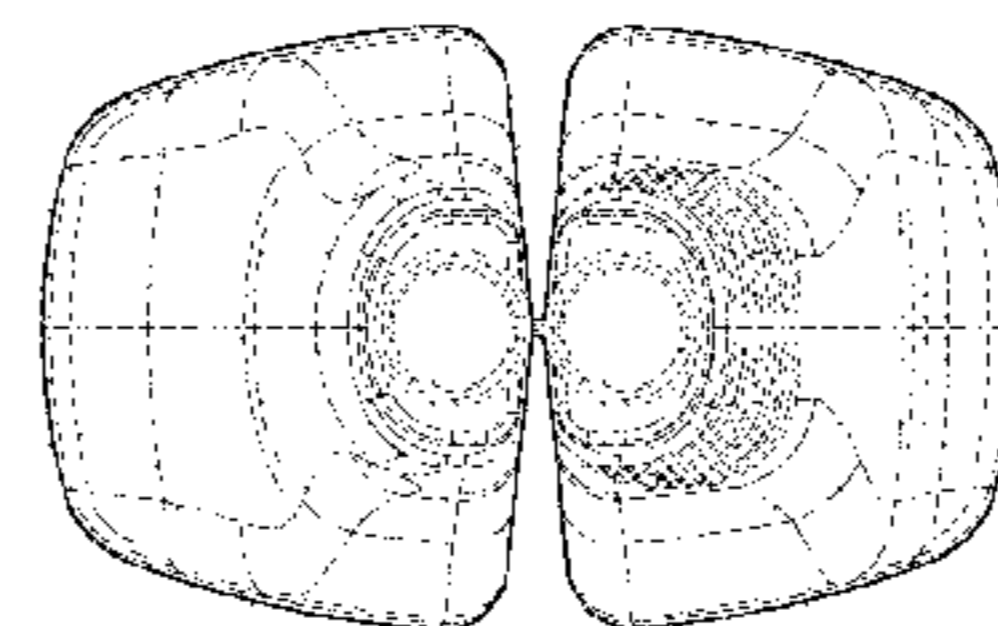
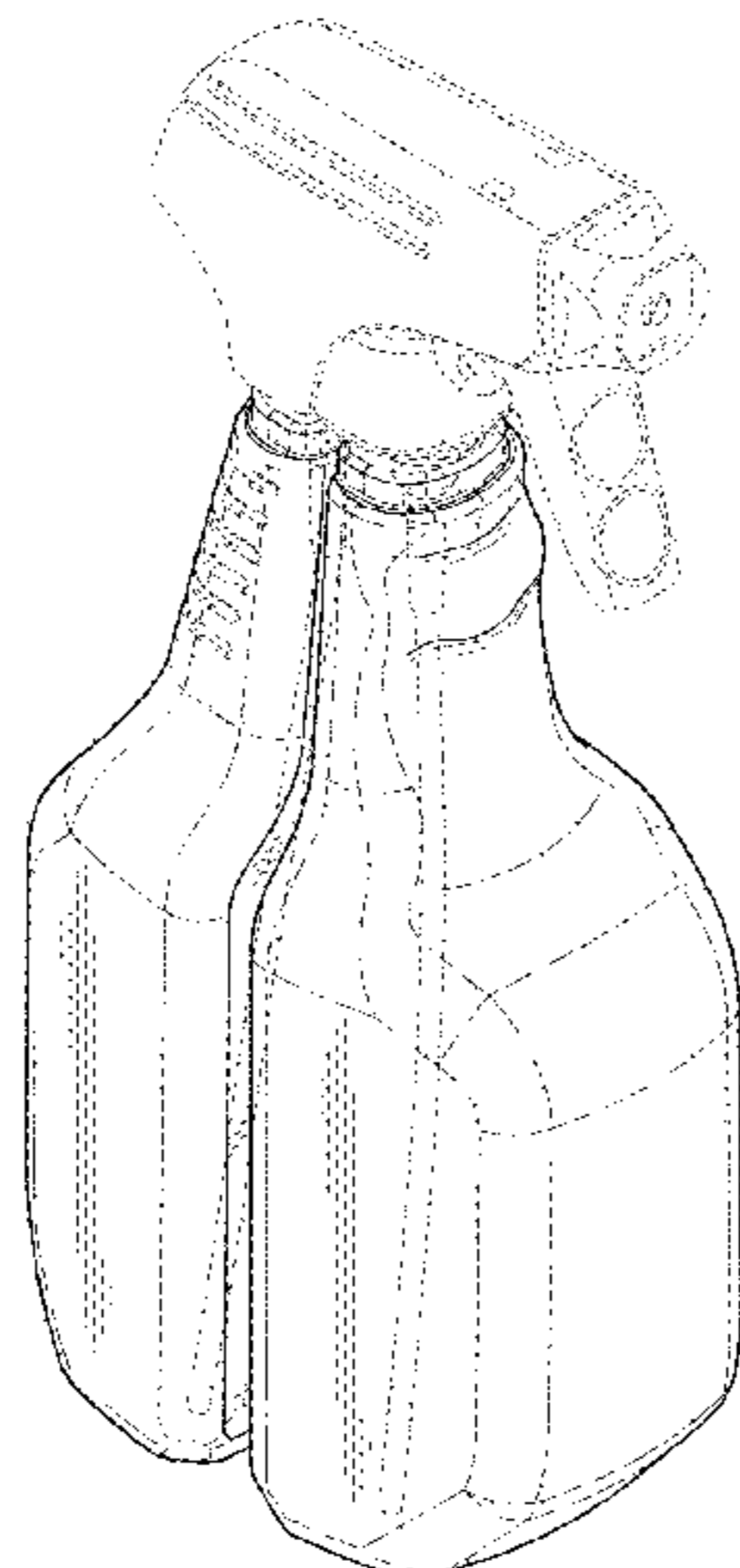
FIG. 7 is a rear view of the dual chamber bottle shown in FIG. 2.

FIG. 8 is a top plan view of the dual chamber bottle shown in FIG. 2; and,

FIG. 9 is a bottom plan view of the dual chamber bottle shown in FIG. 2.

The broken lines showing a spray dispenser in FIG. 1 illustrates environmental structure. All other broken lines illustrate portions of the dual chamber bottle. The broken lines form no part of the claimed design.

1 Claim, 8 Drawing Sheets



(58) **Field of Classification Search**

USPC D9/693, 570, 574, 747, 569, 573, 620,
 D9/341, 367, 751, 756, 530, 313, 375,
 D9/403, 409, 413, 558, 547, 743, 744,
 D9/539-546, 520-524; D7/509-511,
 D7/563, 573, 513, 300, 308, 312, 315,
 D7/601, 602, 619.1, 622; D3/202;
 264/532; 222/129, 94, 135; 220/505,
 220/504, 288, 709, 23.4, 23.8, 23.88, 633,
 220/916, 660, 669; 215/6, 10, 1 R, 1 C,
 215/379, 381-384
 CPC B05B 11/00; B05B 11/0037; B65D 1/04;
 B65D 1/24; B65D 21/0201; B65D
 2501/0081; B65D 81/3283; B65D
 81/3244; B65D 83/40; B65D 83/68;
 B29L 2031/7158; A47G 2019/122

See application file for complete search history.

(56) **References Cited**

U.S. PATENT DOCUMENTS

3,347,420 A * 10/1967 Donoghue G01F 11/286
 222/129
 D305,451 S * 1/1990 Rosenbaum D23/225
 5,152,461 A 10/1992 Proctor
 5,228,602 A 7/1993 Maas
 5,252,312 A * 10/1993 Gentile A61K 8/19
 206/216
 D342,022 S * 12/1993 Pritchard D9/449
 5,332,157 A 7/1994 Proctor
 5,341,965 A 8/1994 Maas
 5,370,275 A 12/1994 Mills
 D354,683 S * 1/1995 Rupert D9/520
 5,398,846 A 3/1995 Corba et al.
 5,439,141 A 8/1995 Clark
 D367,005 S * 2/1996 Warrilow D9/523
 5,535,950 A 7/1996 Barriac et al.
 5,562,250 A 10/1996 O'Neill
 5,607,072 A * 3/1997 Rigney B65D 1/04
 206/431
 5,609,299 A 3/1997 Foster et al.
 5,626,259 A 5/1997 Maas
 5,711,457 A 1/1998 Wanbaugh
 5,752,626 A 5/1998 Bachand
 5,769,275 A 6/1998 Boehmer
 5,857,591 A 1/1999 Bachand
 5,887,761 A 3/1999 Foster
 5,971,197 A * 10/1999 Everette B65D 1/04
 215/6
 6,082,588 A 7/2000 Markey et al.
 D430,798 S * 9/2000 Stevens D9/520
 6,283,385 B1 9/2001 Beaver et al.
 D471,460 S * 3/2003 Paul D9/516
 D471,819 S * 3/2003 Paul D9/445
 6,550,694 B1 4/2003 Foster et al.
 6,729,560 B2 5/2004 Foster et al.
 6,869,027 B2 3/2005 Foster

6,978,946 B2 12/2005 Sweeton
 7,222,802 B2 5/2007 Sweeton
 7,243,861 B2 7/2007 Foubert et al.
 D558,605 S * 1/2008 Bowers D9/738
 7,497,358 B2 3/2009 Clynes
 7,637,396 B2 12/2009 Foster
 D607,753 S * 1/2010 Farrell D9/563
 7,712,636 B2 5/2010 Foster
 7,757,968 B2 7/2010 Bistolfi
 7,775,401 B2 8/2010 Banco et al.
 D635,034 S * 3/2011 Burgeson D9/566
 7,909,268 B2 3/2011 Zigmans
 7,997,449 B2 8/2011 Banco et al.
 8,562,907 B2 * 10/2013 Green A01N 31/02
 134/84
 D753,509 S * 4/2016 Bruining D9/543
 D766,738 S * 9/2016 Buckner, III D9/741
 2003/0201339 A1 10/2003 Foster et al.
 2003/0201342 A1 10/2003 Foster
 2004/0256490 A1 12/2004 Sweeton
 2005/0092778 A1 5/2005 Bistolfi
 2005/0121475 A1 6/2005 Zigmans
 2005/0150977 A1 7/2005 Sweeton
 2005/0224602 A1 10/2005 Foubert et al.
 2006/0163282 A1 7/2006 Suzuki
 2007/0215645 A1 9/2007 Clynes
 2007/0215647 A1 9/2007 Foster
 2007/0215648 A1 9/2007 Foster
 2008/0128532 A1 6/2008 Zigmans
 2008/0314928 A1 12/2008 Banco et al.
 2010/0206903 A1 8/2010 Banco et al.
 2011/0042488 A1 2/2011 Zigmans
 2011/0272494 A1 11/2011 Richardson et al.
 2012/0280065 A1 11/2012 Foster et al.
 2016/0038959 A1 * 2/2016 Lopez B05B 11/3011
 222/135
 2016/0121538 A1 * 5/2016 DiBiasio B29C 49/50
 264/515
 2016/0122066 A1 * 5/2016 DiBiasio B29C 49/04
 215/6
 2016/0228899 A1 * 8/2016 Gonzalez B05B 11/3084
 2016/0228900 A1 * 8/2016 Gonzalez B05B 11/3084

FOREIGN PATENT DOCUMENTS

EP 0803295 A2 10/1997
 EP 10043648 2/1998
 EP 2000-135457 A 5/2000
 EP 2000135457 5/2000
 EP 2009125700 6/2009
 JP 10-43648 A 2/1998
 JP 2009-125700 A 6/2009
 WO 9831470 A1 7/1998

OTHER PUBLICATIONS

U.S. Consumer Product Safety Commission, retrieved from the Internet: <http://www.cpsc.gov/pagefiles/115095/gualadispensing.pdf> (retrieved on Jun. 28, 2016).

* cited by examiner

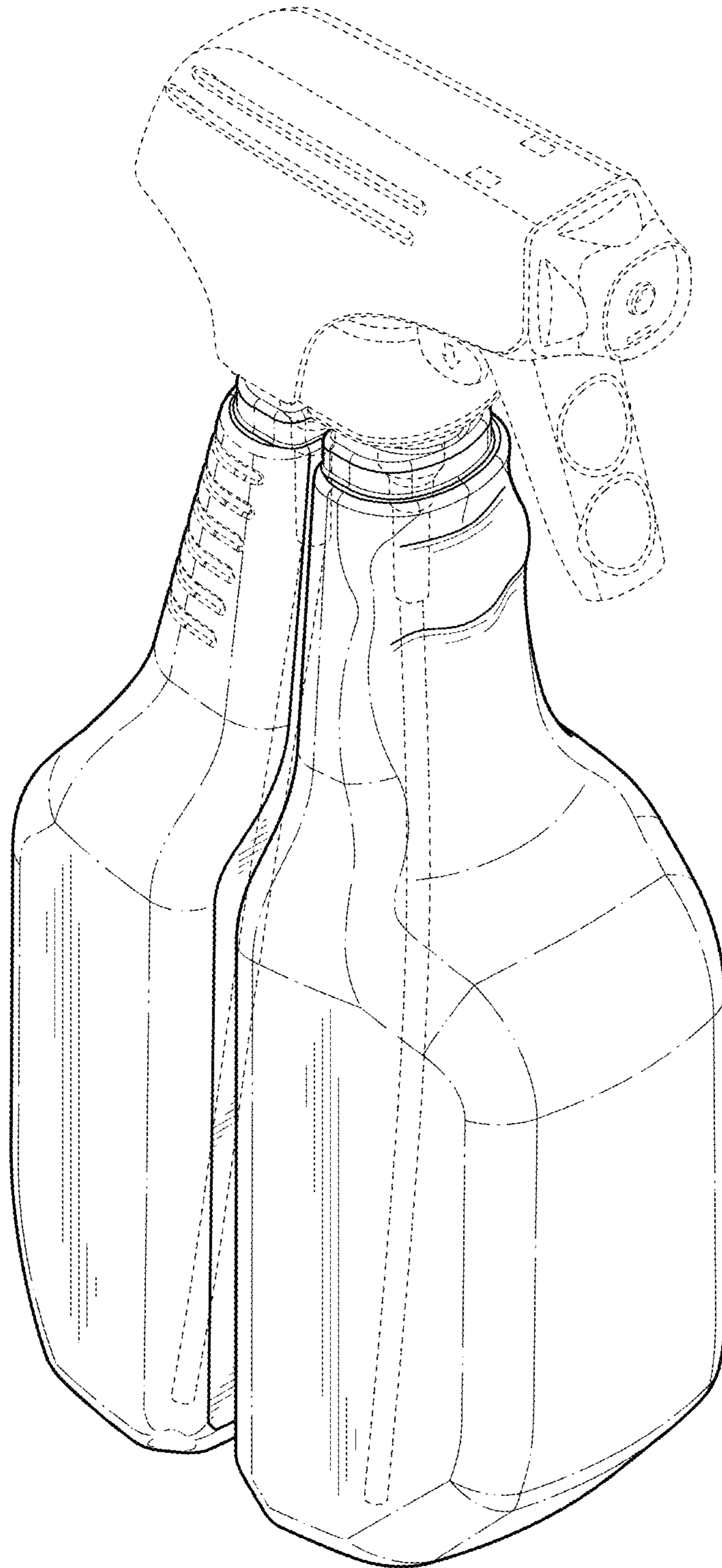


FIG. 1

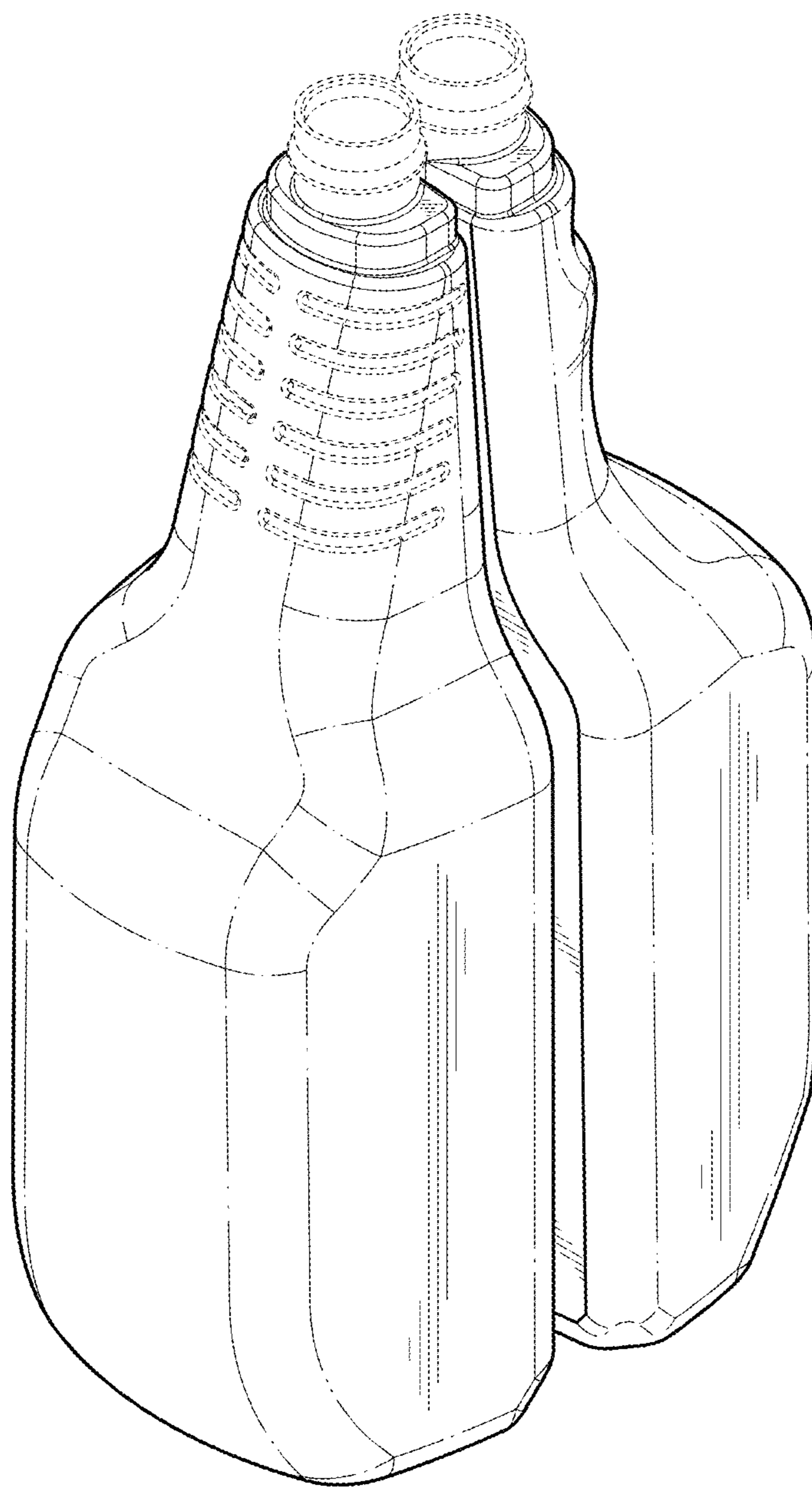


FIG. 2

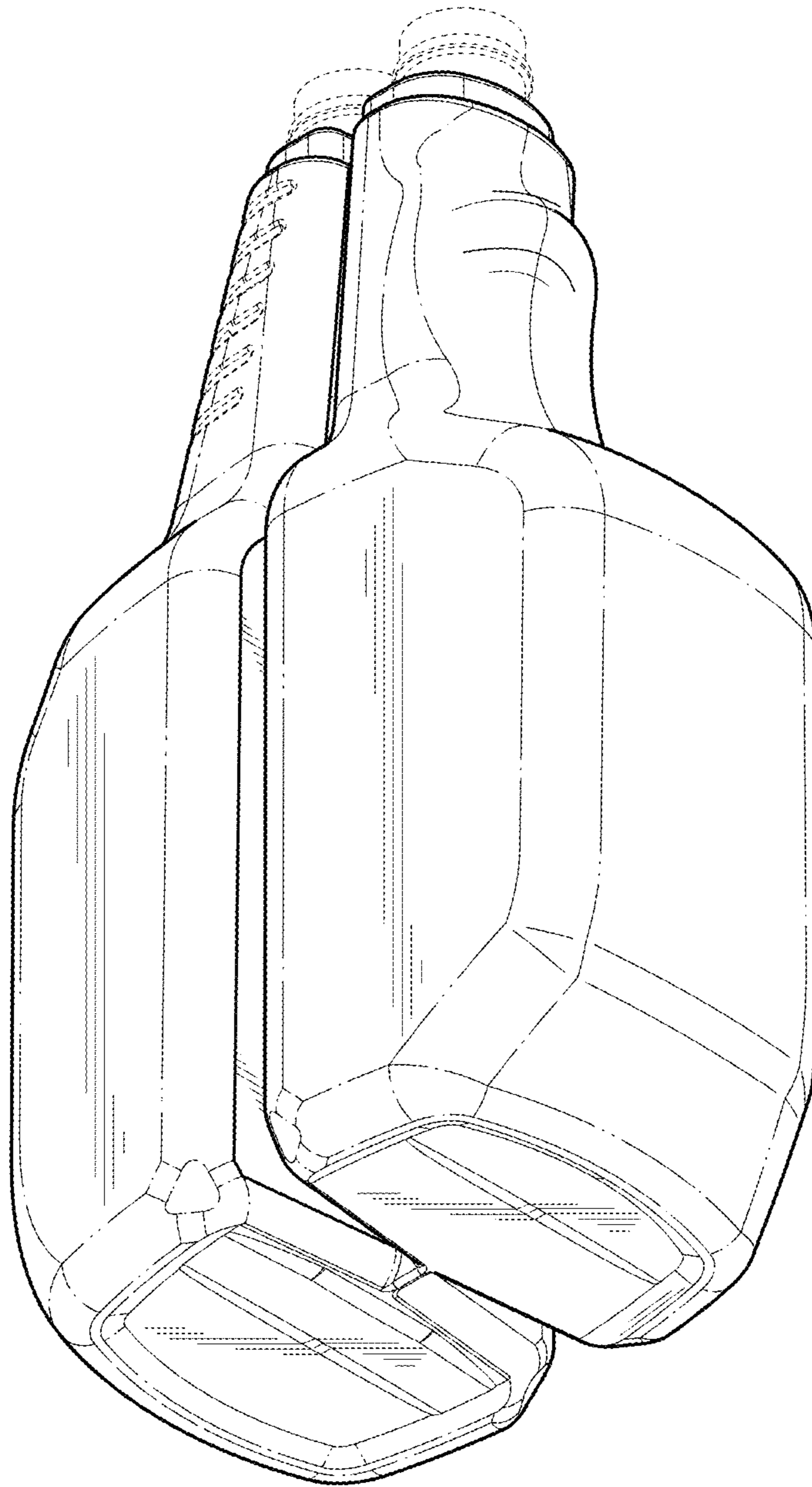


FIG. 3

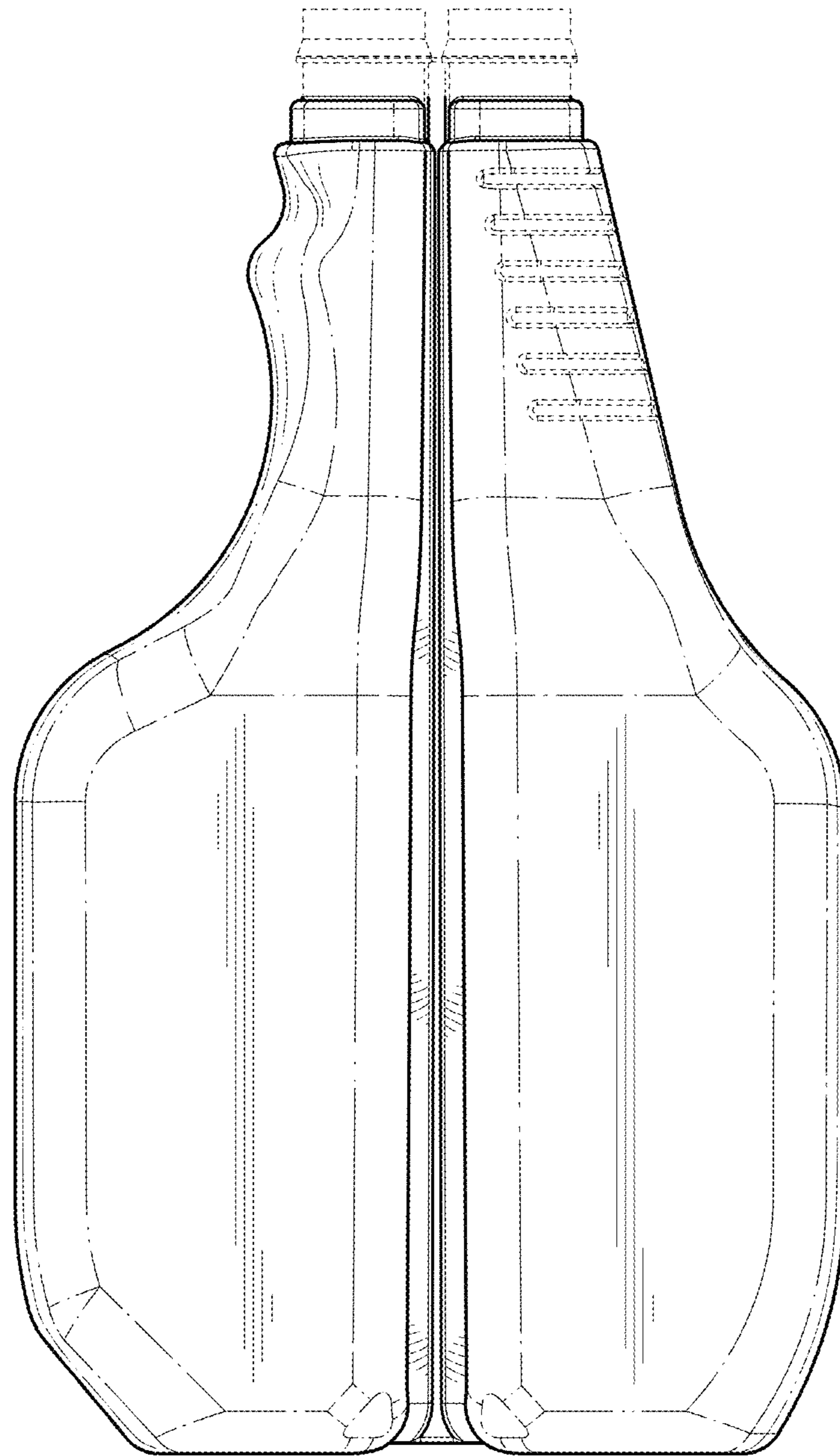


FIG. 4

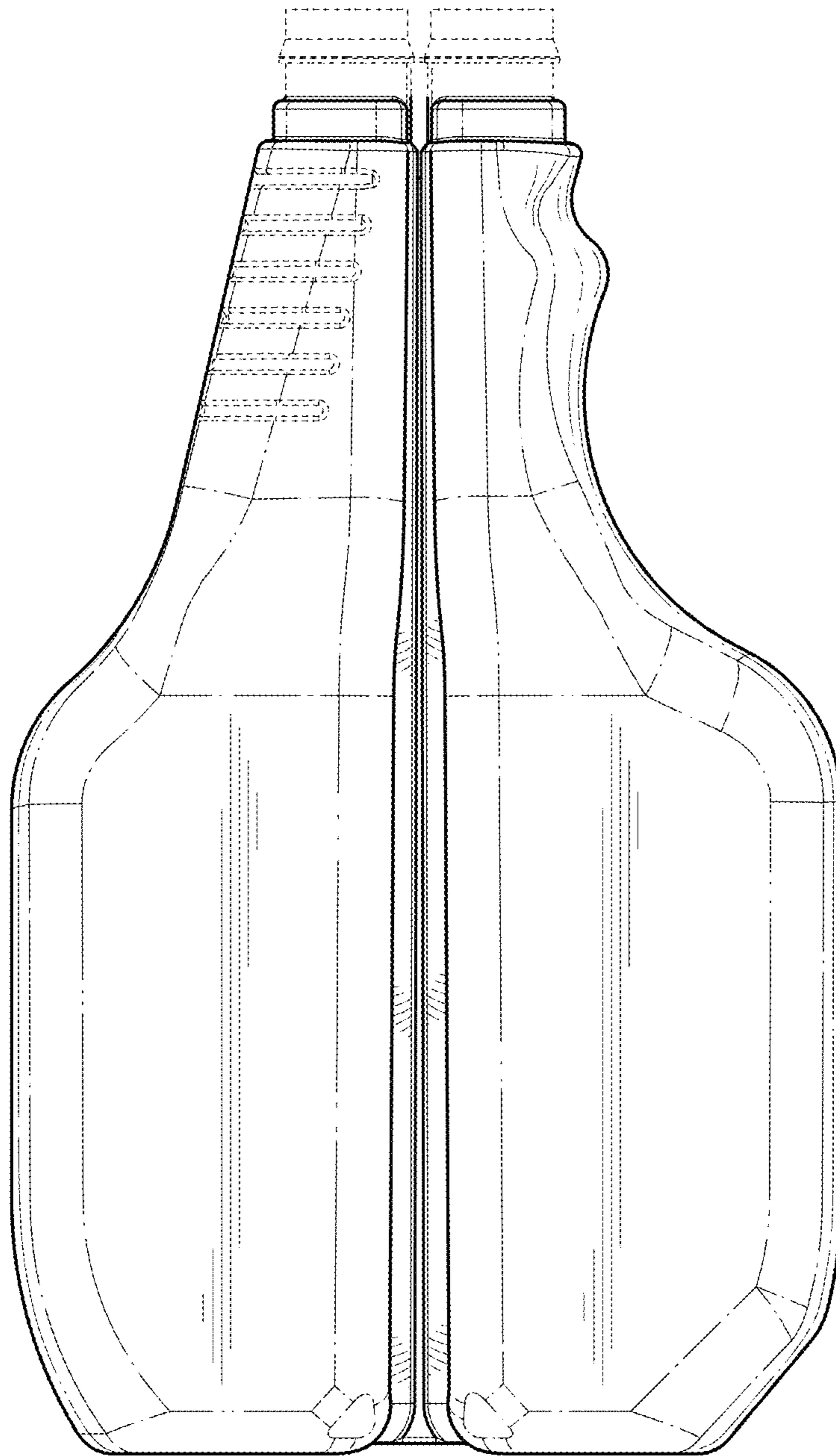


FIG. 5

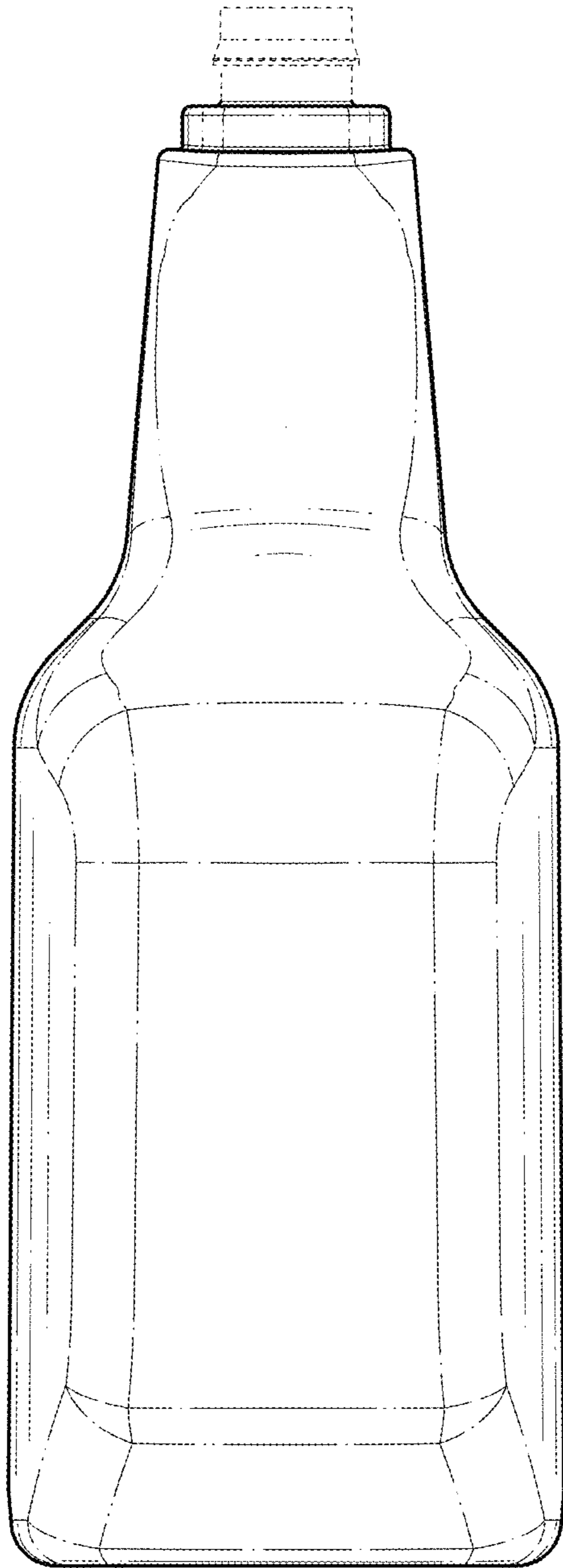


FIG. 6

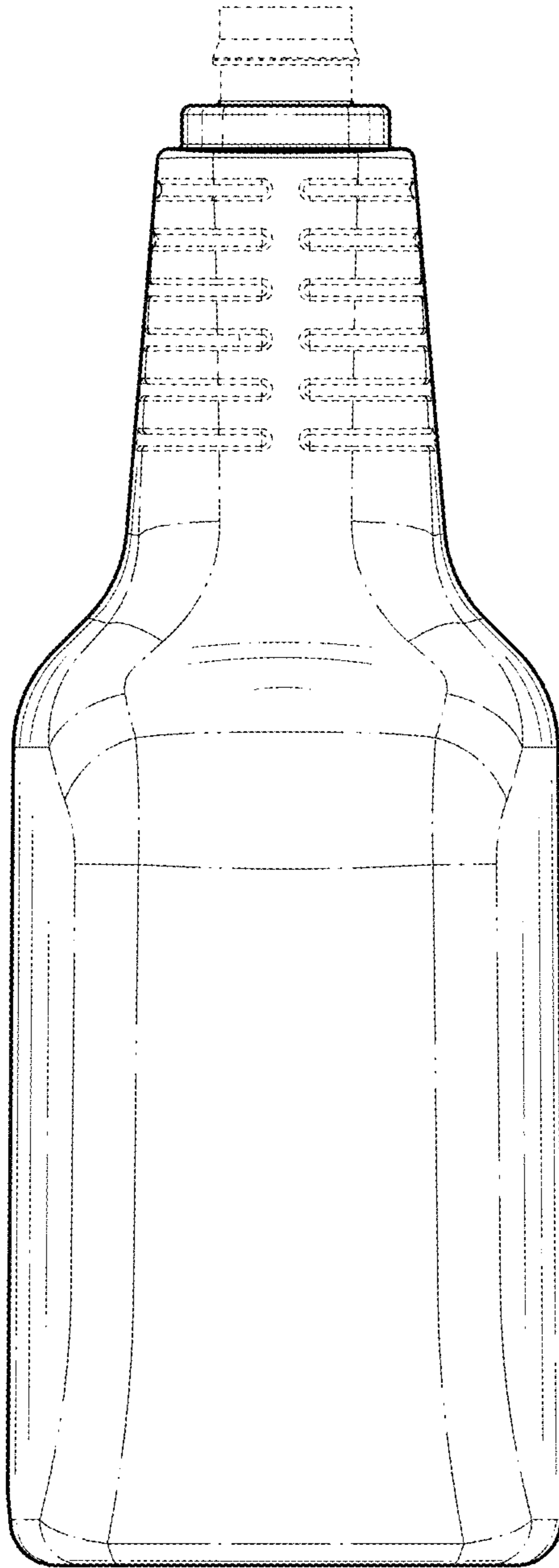


FIG. 7

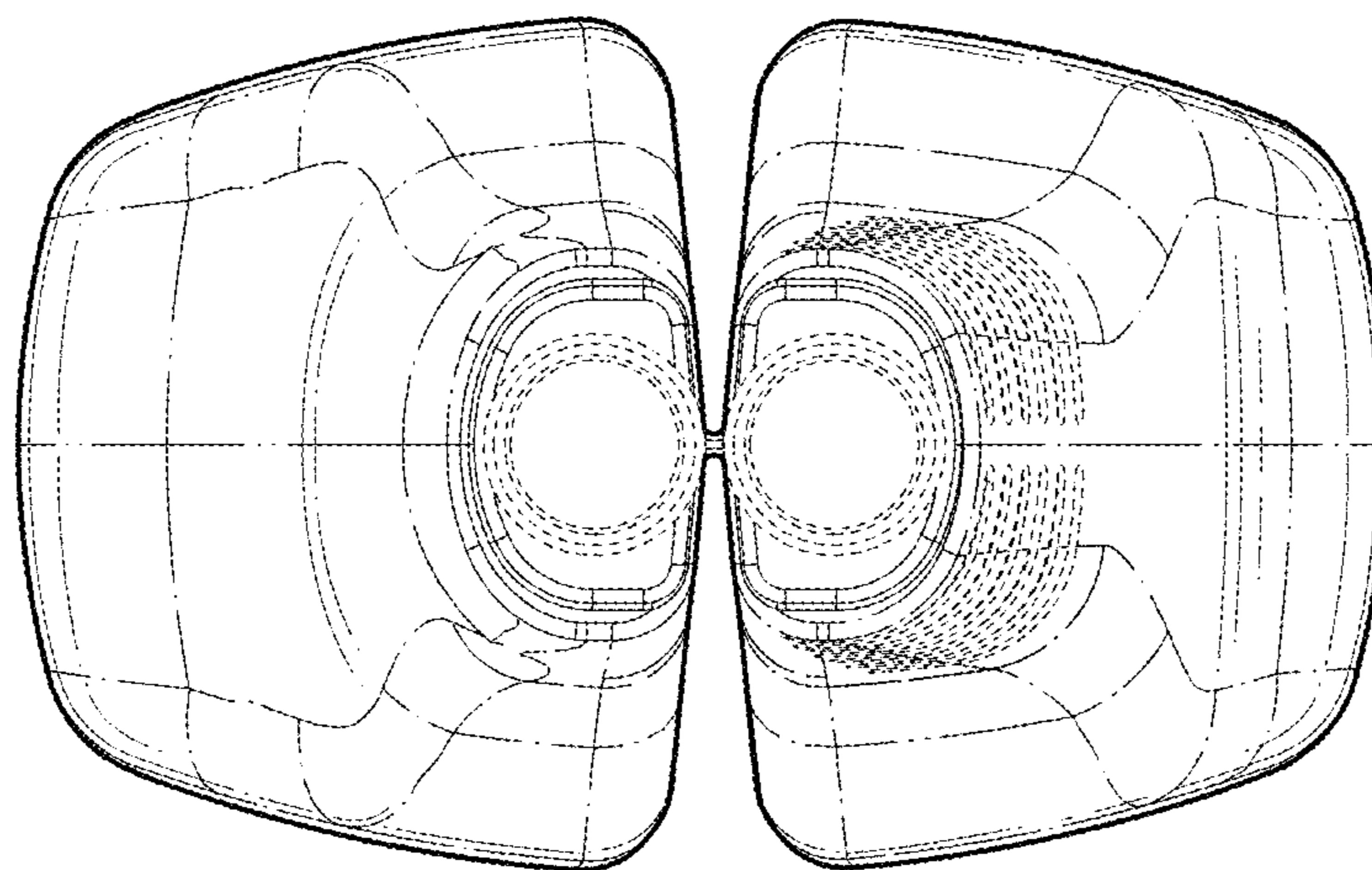


FIG. 8

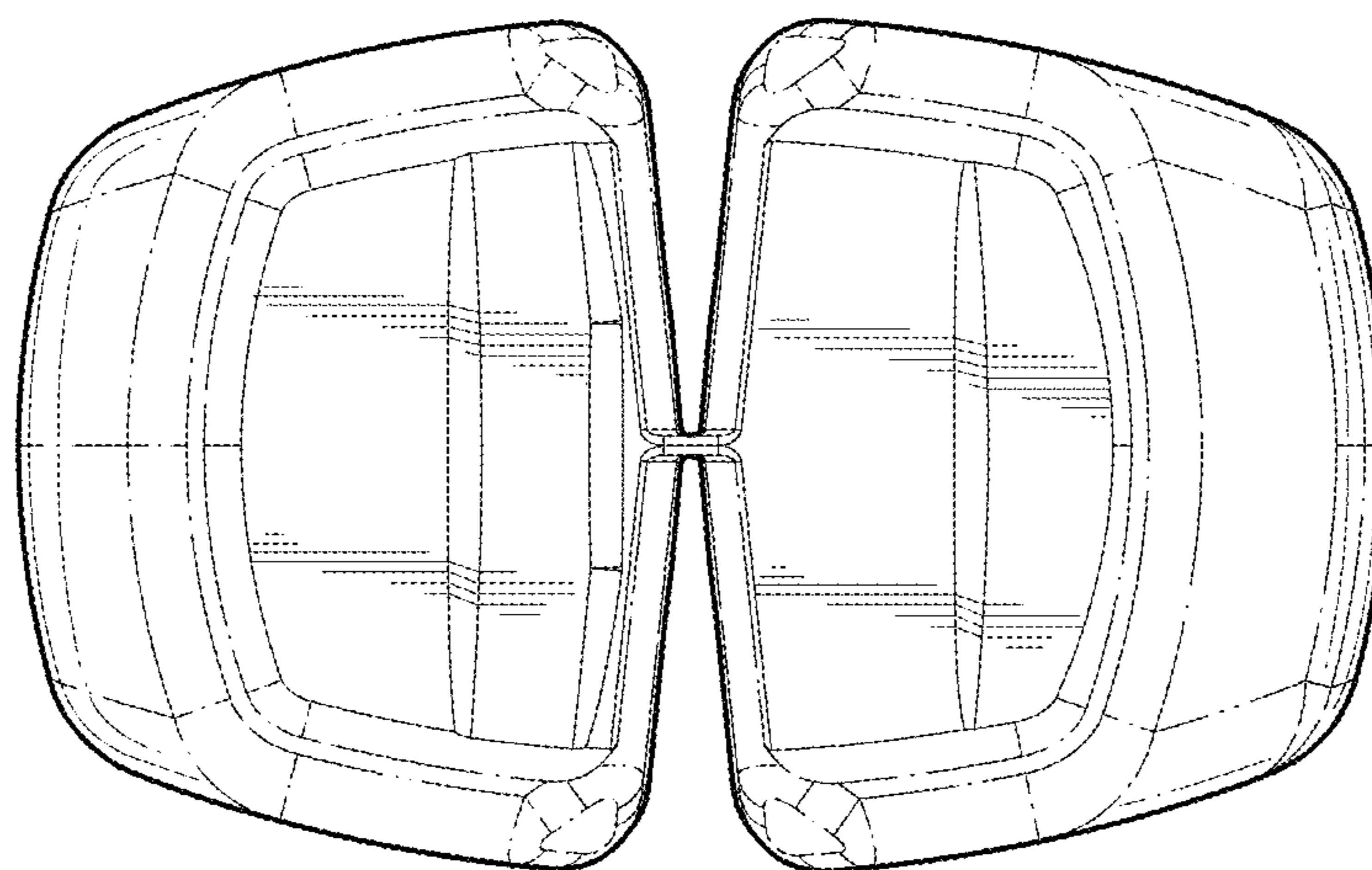


FIG. 9