



US00D795081S

(12) **United States Design Patent** (10) **Patent No.:** **US D795,081 S**
Way et al. (45) **Date of Patent:** **** Aug. 22, 2017**

(54) **CASE**

(71) Applicant: **Advanced Orthodontics and Education Association, LLC**, Ossining, NY (US)

(72) Inventors: **Bryce A Way**, San Jose, CA (US);
Richard Johnson, Briarcliff Manor, NY (US)

(73) Assignee: **Advanced Orthodontics and Education Association, LLC**, Ossining, NY (US)

(**) Term: **15 Years**

(21) Appl. No.: **29/602,995**

(22) Filed: **May 5, 2017**

Related U.S. Application Data

(63) Continuation of application No. 29/601,359, filed on Apr. 21, 2017.

(51) **LOC (10) Cl.** **09-03**

(52) **U.S. Cl.**
USPC **D9/737**

(58) **Field of Classification Search**

USPC D9/737, 748, 749, 424, 434, 435, 456,
D9/457, 732, 735, 715, 721, 722,
D9/754-756, 414-420, 423, 444, 446,
D9/454, 432, 426, 700, 686, 688, 689,
D9/390; D3/318, 232, 242, 243, 269,
D3/270, 273, 276, 289, 301, 201, 203.1,
D3/203.2, 203.3, 203.4, 203.5, 203.6,

D3/203.7, 203.8, 205, 275, 294;
D28/76-78, 82, 83, 91, 44, 45, 73;
128/859, 861; 206/63.5, 553, 557, 541,
(Continued)

(56) **References Cited**

U.S. PATENT DOCUMENTS

2,612,200 A * 9/1952 June A45C 1/02
150/136
D215,685 S 10/1969 Helmer
(Continued)

OTHER PUBLICATIONS

Dental instrument case, available Jun. 16, 2017, [online], [site visited Jun. 16, 2017]. Available from internet, <URL: <http://www.medicaexpo.com/prod/shell-case/product-105247-740998.html>>.*
(Continued)

Primary Examiner — Cathron Brooks
Assistant Examiner — Teddy Falloway

(74) *Attorney, Agent, or Firm* — Finnegan, Henderson, Farabow, Garrett & Dunner, L.L.P.

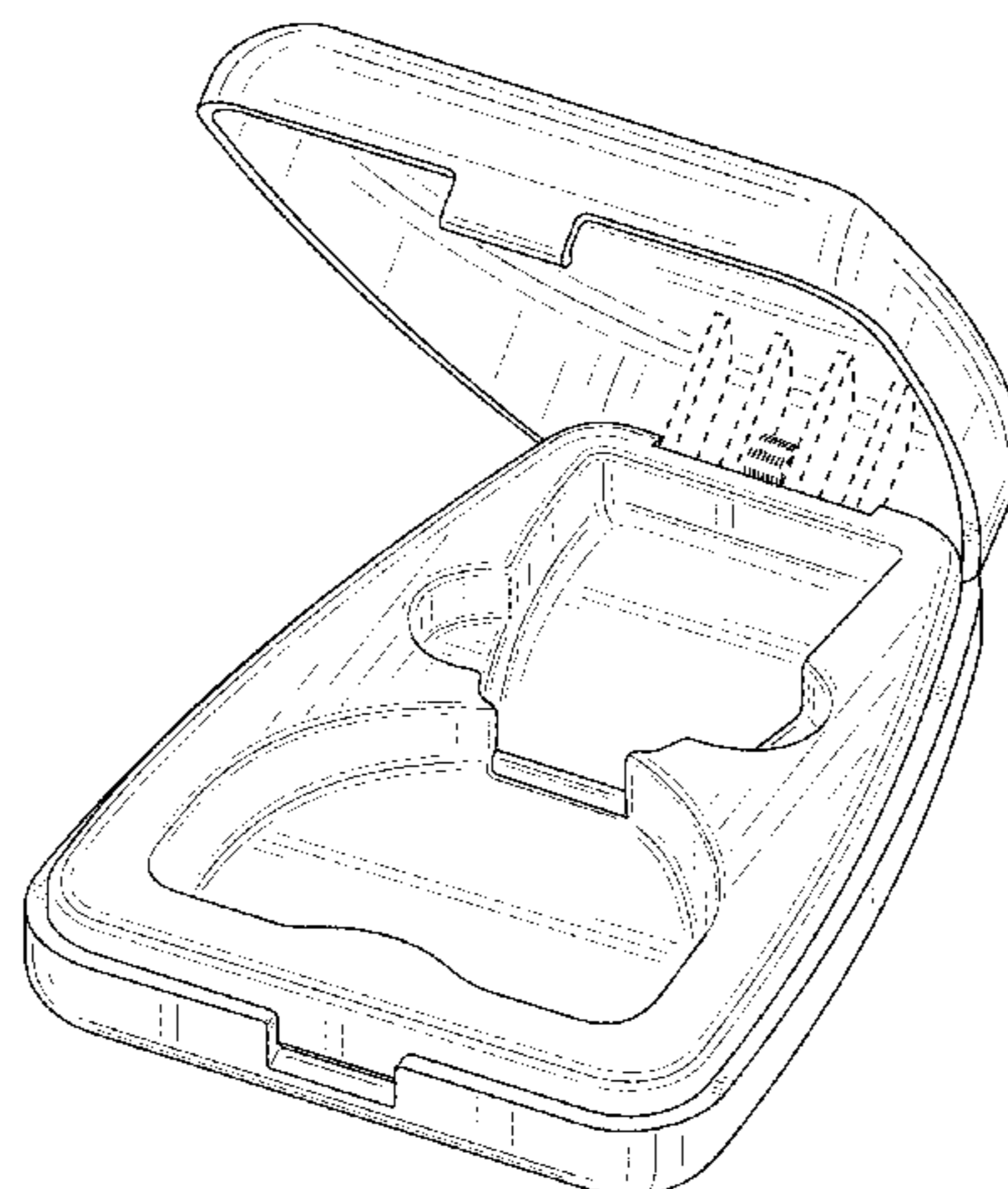
(57) **CLAIM**

The ornamental design for a case, as shown and described.

DESCRIPTION

FIG. 1 is a front, right, top perspective view of a case showing our new design in an open position;
FIG. 2 is a top plan view thereof;
FIG. 3 is a right side view thereof, with the left side view being a mirror image thereof;
FIG. 4 is a top plan view of the case shown in FIG. 1 in a closed position;
FIG. 5 is a bottom plan view thereof in a closed position;
FIG. 6 is a rear elevation view thereof in a closed position;
FIG. 7 is a front elevation view thereof in a closed position;
and,
FIG. 8 is a right side view thereof, with the left side view being a mirror image thereof.

(Continued)



The broken lines shown in the drawings depict portions of the case that form no part of the claimed design.

1 Claim, 8 Drawing Sheets

(58) Field of Classification Search

USPC 206/775, 776, 119, 470, 508, 521.1, 545, 206/806, 217, 820, 307, 307.1, 308.1, 206/312, 228, 354; 433/77, 229, 273, 433/274, 294, 295, 319; 30/526, 541; D24/176, 152, 154-156, 180, 181, 119; 220/608, 780-806, 475, 674, 675, 220/4.21-4.24, 555, 556, 810, 836, 837, 220/841, 366.1, 367; 426/106
CPC .. A61C 7/08; A61C 19/02; A61C 5/14; A45D 44/20; A45D 27/22; A45D 27/225; A63B 71/085; A63B 2071/088; B65D 43/164; B65D 43/16; B65D 43/163; B65D 85/54; B65D 1/30; A45C 2001/028; B26B 21/40; B26B 21/521; B26B 21/522; B26B 21/528

See application file for complete search history.

(56) References Cited

U.S. PATENT DOCUMENTS

D257,790 S 1/1981 Kesling
D281,532 S 11/1985 Weissman
D346,674 S * 5/1994 Berghash D24/176
D400,011 S * 10/1998 Palmer D3/294
D408,919 S 4/1999 Cooley
D425,295 S 5/2000 Borja et al.
D457,638 S * 5/2002 Alstad D24/176
D485,057 S * 1/2004 Schroer D3/203.5
6,705,333 B1 * 3/2004 Pourcho A45D 44/20
134/135
D496,154 S * 9/2004 Herman D3/203.1
D526,093 S 8/2006 Manzo et al.
D528,208 S 9/2006 Moriyama
D538,926 S 3/2007 Jeong et al.
D561,472 S * 2/2008 Nakamura D3/294
D582,559 S 12/2008 Khawaled et al.
D592,955 S * 5/2009 Schulz D9/456
D593,714 S 6/2009 Hirshberg
D632,395 S 2/2011 Massad
D650,986 S 12/2011 Brady et al.
D655,816 S 3/2012 Llop et al.
D661,806 S 6/2012 Khawaled et al.
D663,485 S 7/2012 Turkbas et al.
D663,943 S 7/2012 Walsh et al.
D677,007 S 2/2013 Bancroft
D683,455 S 5/2013 Slominski
D686,733 S 7/2013 Marumori et al.
D697,302 S * 1/2014 Pourcho D3/203.1

D701,456 S * 3/2014 Farley D9/420
D706,937 S 6/2014 Suga et al.
D713,531 S 9/2014 Way et al.
D715,548 S * 10/2014 Chang D3/294
D719,266 S 12/2014 Goldstein
D721,438 S 1/2015 Layzell
D722,264 S * 2/2015 Saideh D9/418
D728,360 S * 5/2015 Kelly D9/420
D728,361 S * 5/2015 Farley D9/420
D734,556 S 7/2015 Brett et al.
D738,110 S * 9/2015 Jiang D3/294
D740,692 S * 10/2015 Christie D9/748
D744,744 S * 12/2015 Lee D3/205
D746,058 S 12/2015 Serell
D747,607 S 1/2016 Serell
9,345,556 B1 * 5/2016 Schlatter A61F 5/566
9,351,808 B2 * 5/2016 McCarthy A61C 7/08
D760,889 S 7/2016 Evans et al.
D764,061 S 8/2016 Furdui-Carr
D765,255 S 8/2016 Levine
D779,233 S * 2/2017 Williams D6/574
D781,427 S 3/2017 Blank et al.
D782,110 S * 3/2017 Coffindaffer D28/64.6
D786,093 S * 5/2017 Christie D9/748
9,642,739 B2 * 5/2017 Schlatter A61F 5/566
2003/0010351 A1 * 1/2003 de Laforcade A45D 40/24
132/294
2004/0244805 A1 * 12/2004 Cook A63B 71/0036
128/859
2007/0138042 A1 * 6/2007 Wood A61C 3/04
206/369
2007/0256946 A1 * 11/2007 Godshaw B65D 25/10
206/320
2008/0283422 A1 * 11/2008 Jansheski B65D 43/164
206/63.5
2009/0084801 A1 * 4/2009 Coe B65D 50/046
220/740
2009/0311149 A1 * 12/2009 Freedgood A61L 2/10
422/186.3
2013/0180870 A1 * 7/2013 Nihei A61C 19/02
206/63.5
2013/0273490 A1 * 10/2013 Way A61C 7/008
433/6
2013/0330682 A1 * 12/2013 McCarthy A61C 7/023
433/3
2015/0203267 A1 * 7/2015 Fellin B65D 77/044
222/105
2016/0100924 A1 * 4/2016 Wilson A61C 19/02
206/63.5
2017/0165041 A1 * 6/2017 Wilson A61C 19/02

OTHER PUBLICATIONS

AcceleDent Orthodontics, available Feb. 4, 2017, [online], [site visited Jun. 16, 2017]. Available from internet, <URL: <https://web.archive.org/web/20170204072000/http://www.springfieldlortodontal.com/acceleddent.html>>.*

* cited by examiner

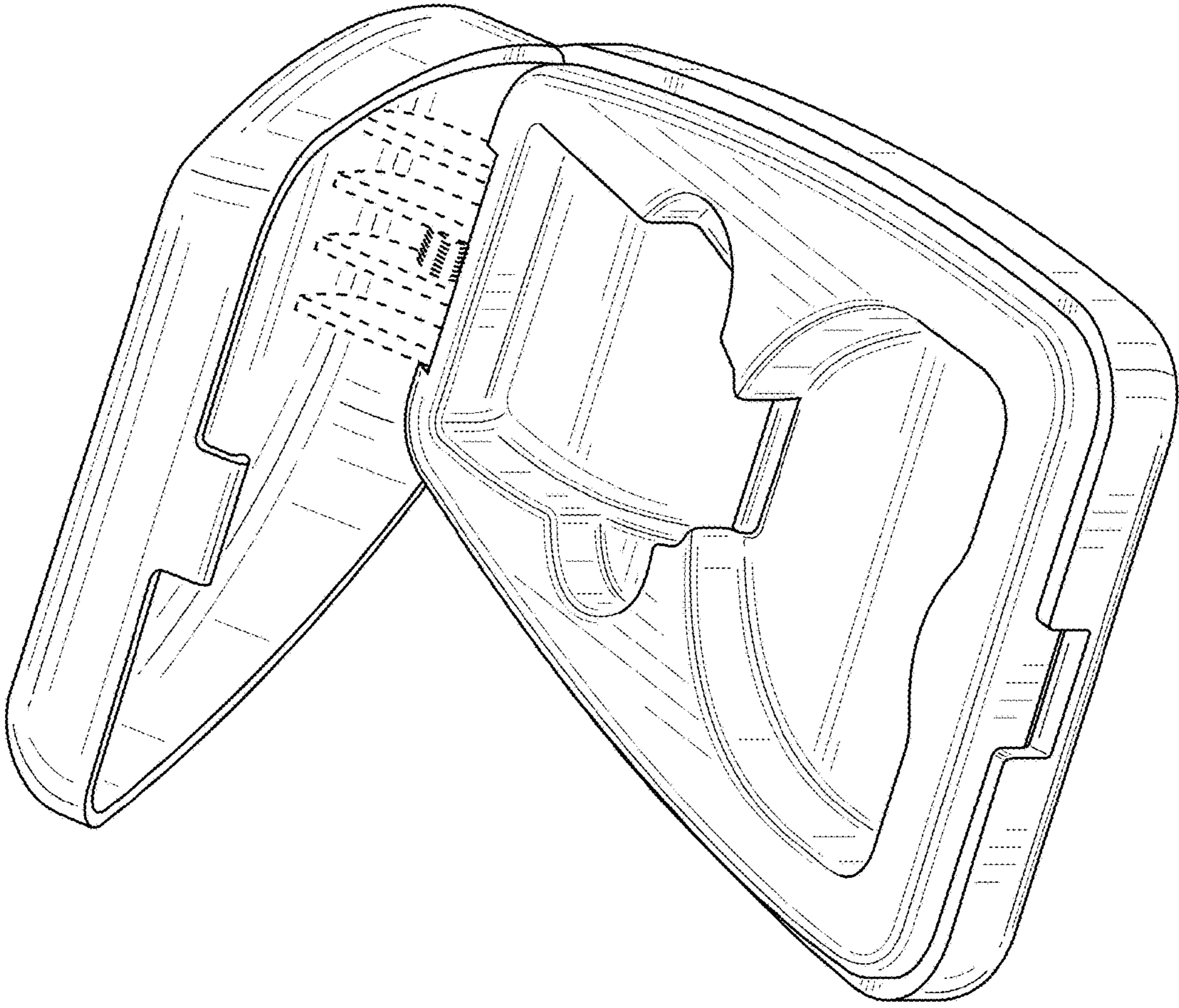


FIG. 1

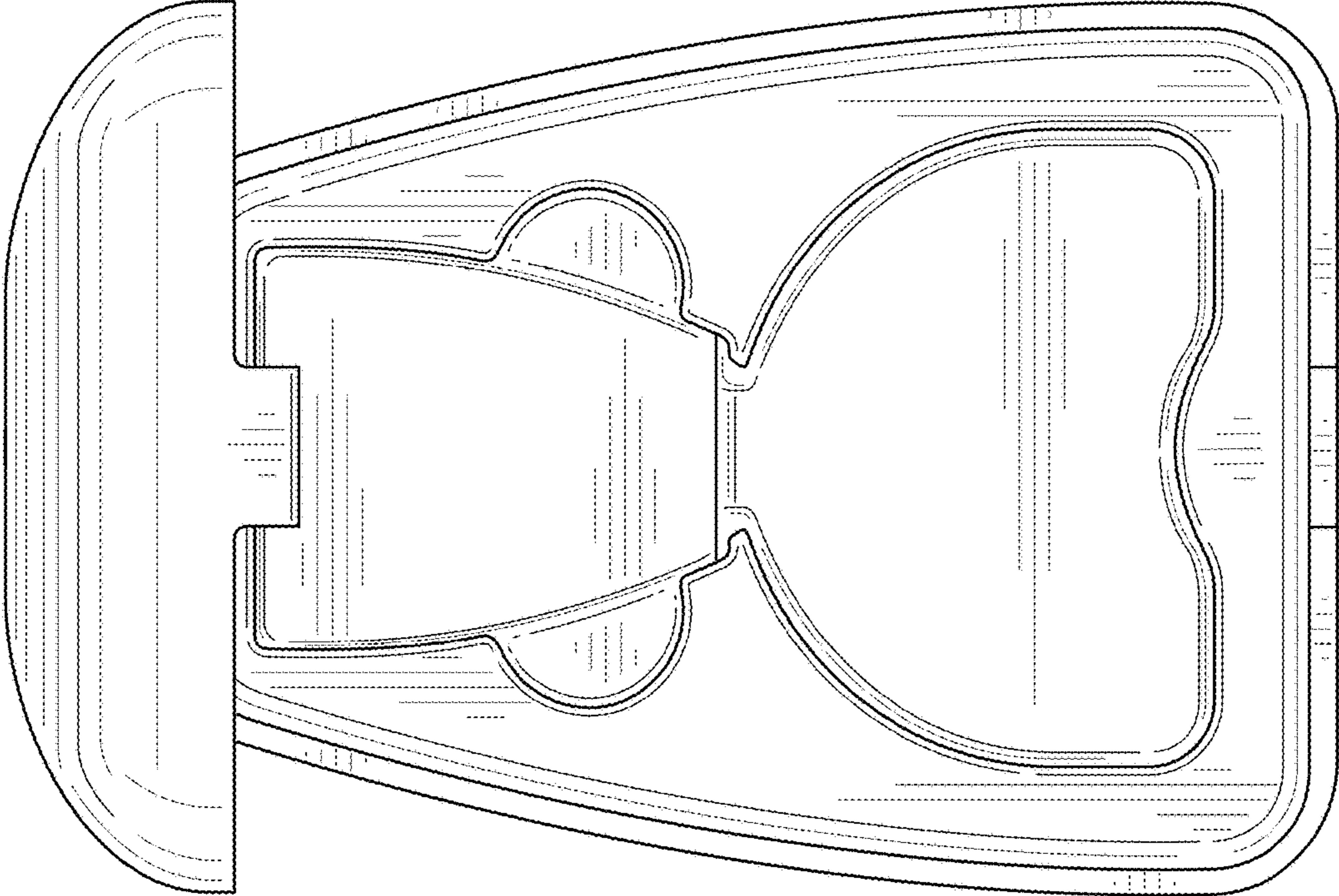


FIG. 2

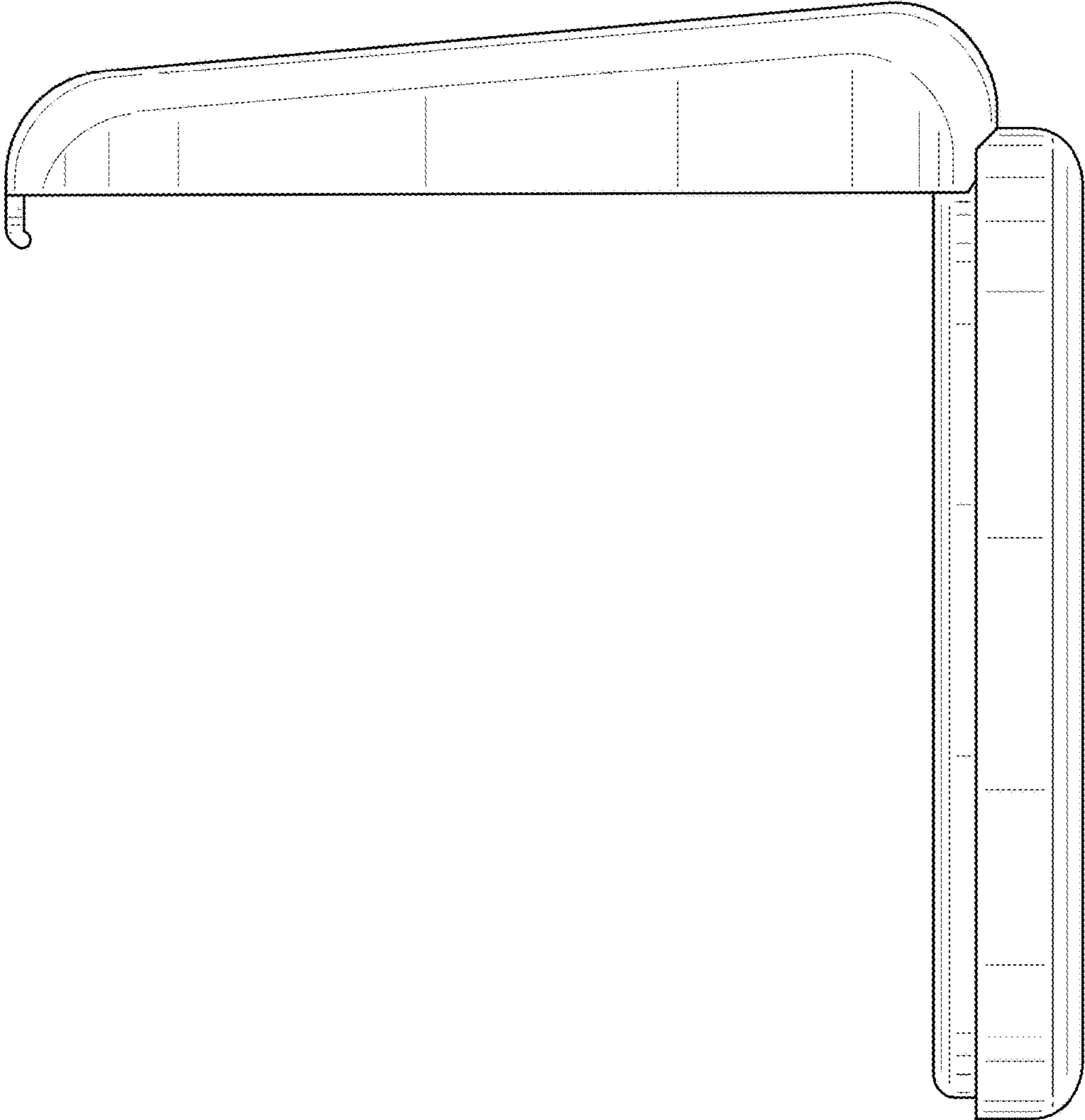


FIG. 3

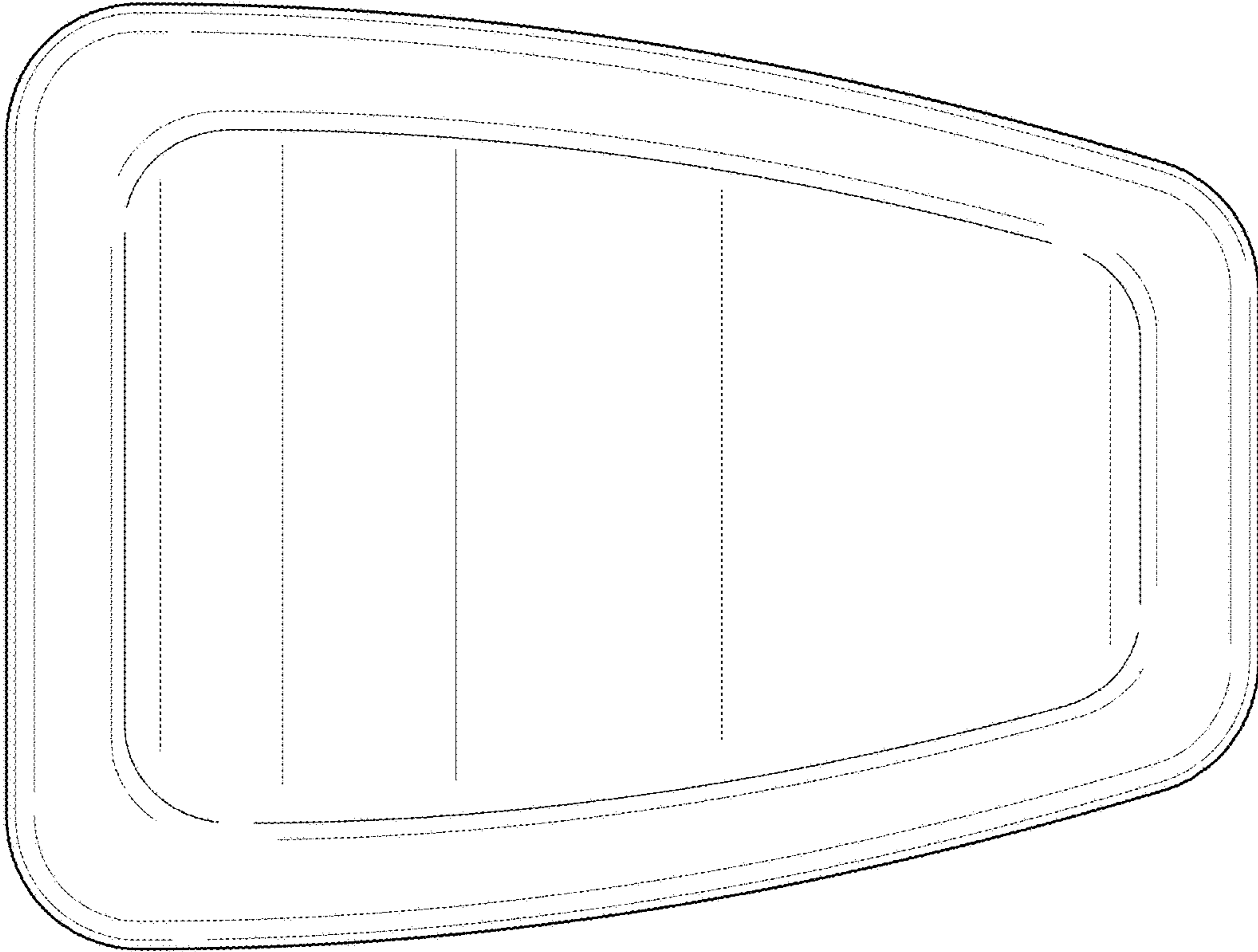


FIG. 4

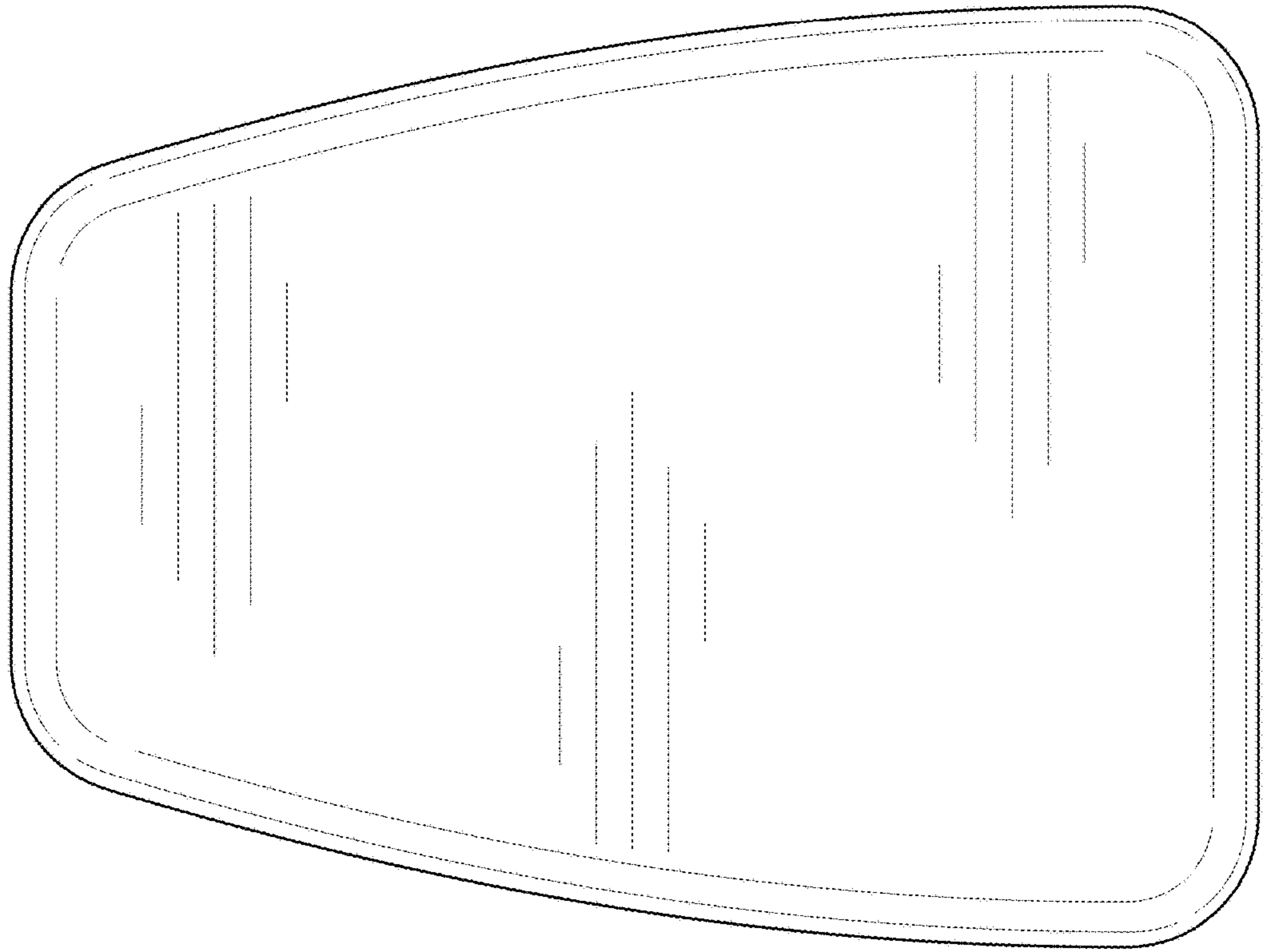


FIG. 5

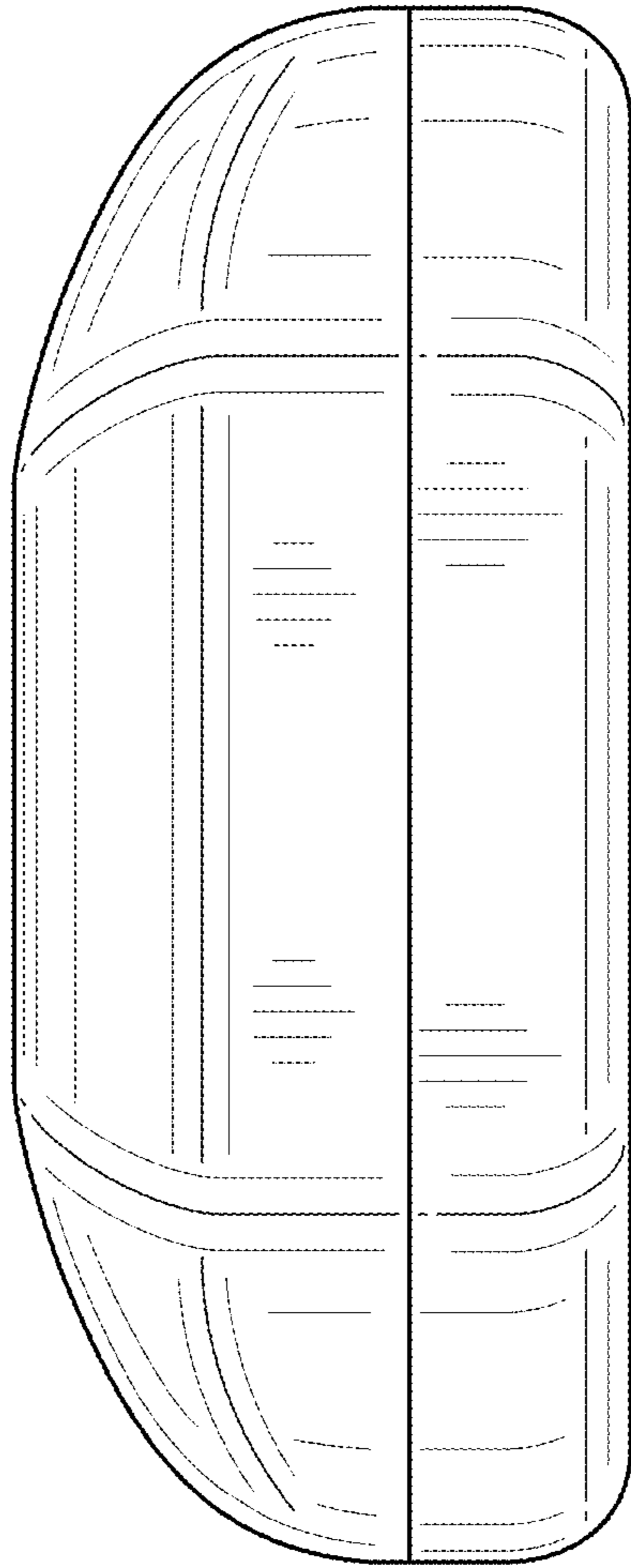


FIG. 6

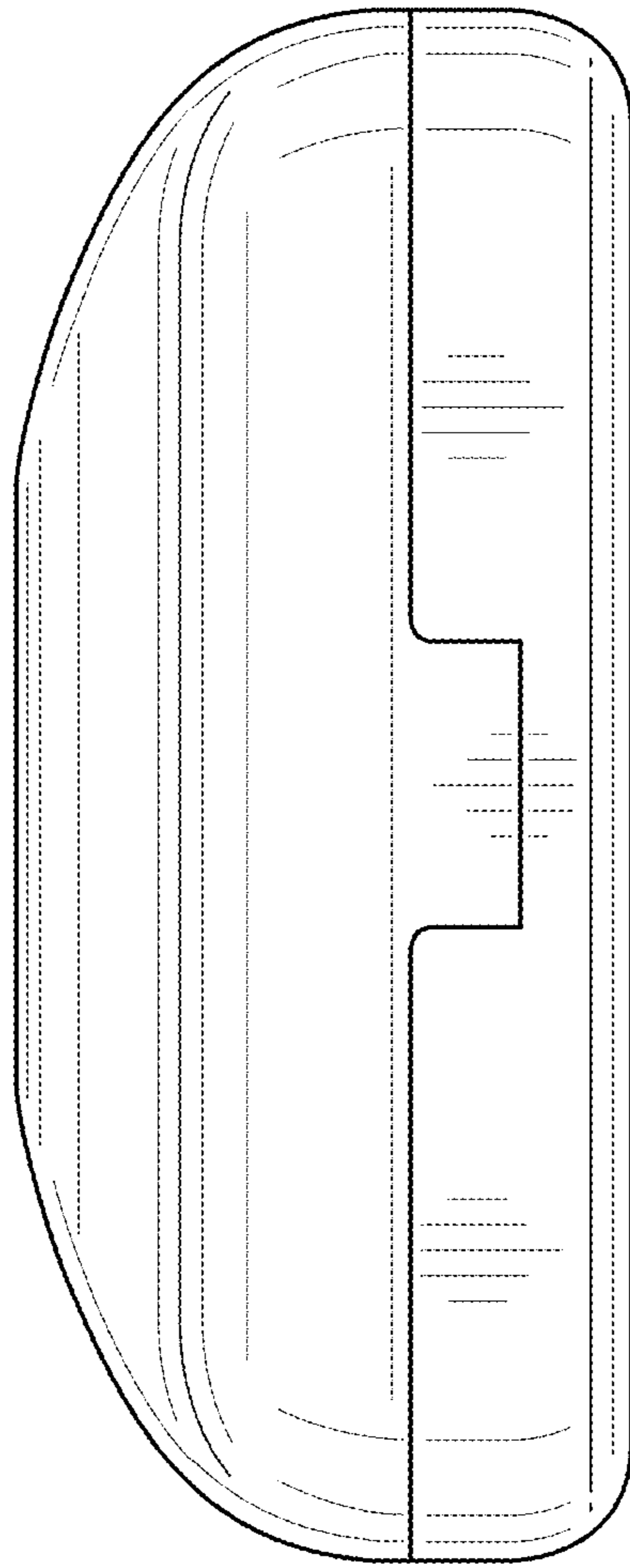


FIG. 7

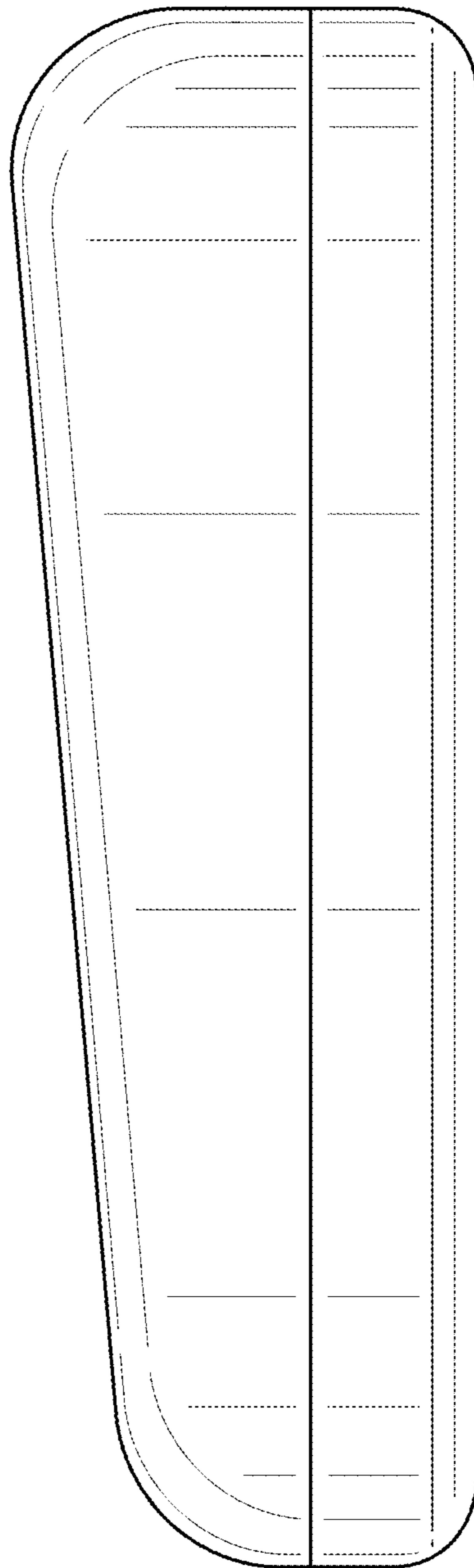


FIG. 8