



US00D795070S

(12) **United States Design Patent**
Haddad

(10) **Patent No.:** **US D795,070 S**

(45) **Date of Patent:** **** Aug. 22, 2017**

(54) **LID**

17/00; B05B 15/002; A45D 34/00; A45D
34/042; A45D 2040/0006; A45D
2040/093

(71) Applicant: **L'atelier Brands Inc.**, George Town
(KY)

See application file for complete search history.

(72) Inventor: **Firas Haddad**, Dubai (AE)

(56) **References Cited**

(73) Assignee: **L'ATELIER BRANDS INC.** (KY)

U.S. PATENT DOCUMENTS

(**) Term: **15 Years**

D271,945 S * 12/1983 Ochs D9/452
D275,636 S * 9/1984 Picozza D7/392.1
D281,758 S * 12/1985 Trombly D7/391
D287,207 S * 12/1986 Daenen D7/392.1
D287,208 S * 12/1986 Daenen D7/392.1
D327,808 S * 7/1992 Kline D7/391

(21) Appl. No.: **29/552,707**

(Continued)

(22) Filed: **Jan. 25, 2016**

(51) **LOC (10) Cl.** **09-07**

FOREIGN PATENT DOCUMENTS

(52) **U.S. Cl.**

USPC **D9/454**; D7/392.1

JP D1367024 * 8/2009
JP D1386022 * 4/2010

(Continued)

(58) **Field of Classification Search**

USPC D3/202, 203.1, 203.2, 273, 275, 294,
D3/318; D6/516; D7/300, 300.1, 316,
D7/317, 387, 391, 392.1, 393, 396.2, 509,
D7/510, 511, 531, 538, 541, 549, 629,
D7/703, 900; D9/434, 435, 438, 439,
D9/440, 443, 446, 447, 448, 449, 450,
D9/452, 453, 454, 502, 503, 504, 529;
D19/70, 71, 93, 96, 115, 162, 163, 165,
D19/192, 194; D26/36, 123, 124;
D28/7, 76, 78, 82, 91; D23/260;
215/200, 235, 236, 252, 254, 329,
215/355-364; 220/203.4-203.7, 203.11,
220/254.1, 254.4, 556, 703, 704, 705,
220/787, 789

CPC A62C 31/02; B65D 1/02; B65D 1/0233;
B65D 1/08; B65D 1/10; B65D 25/00;
B65D 25/40; B65D 25/42; B65D 25/46;
B65D 25/48; B65D 25/77; B65D 39/00;
B65D 39/0047; B65D 41/00; B65D
43/00; B65D 43/02; B65D 51/02; B65D
51/04; B65D 50/041; B65D 23/00; B65D
1/00; B65D 1/0223; B65D 2501/00;
B65D 2501/0009; B65D 83/06; B05B

Primary Examiner — Thomas Johannes

Assistant Examiner — Catherine Posthauer

(74) *Attorney, Agent, or Firm* — Hankin Patent Law,
APC; Kevin Schraven; Anooj Patel

(57) **CLAIM**

The ornamental design for a lid, as shown and described.

DESCRIPTION

FIG. 1 is a top perspective view of a lid, showing my new design.

FIG. 2 is a bottom perspective view thereof.

FIG. 3 is a top plan view thereof.

FIG. 4 is a bottom plan view thereof.

FIG. 5 is a right side elevational view thereof.

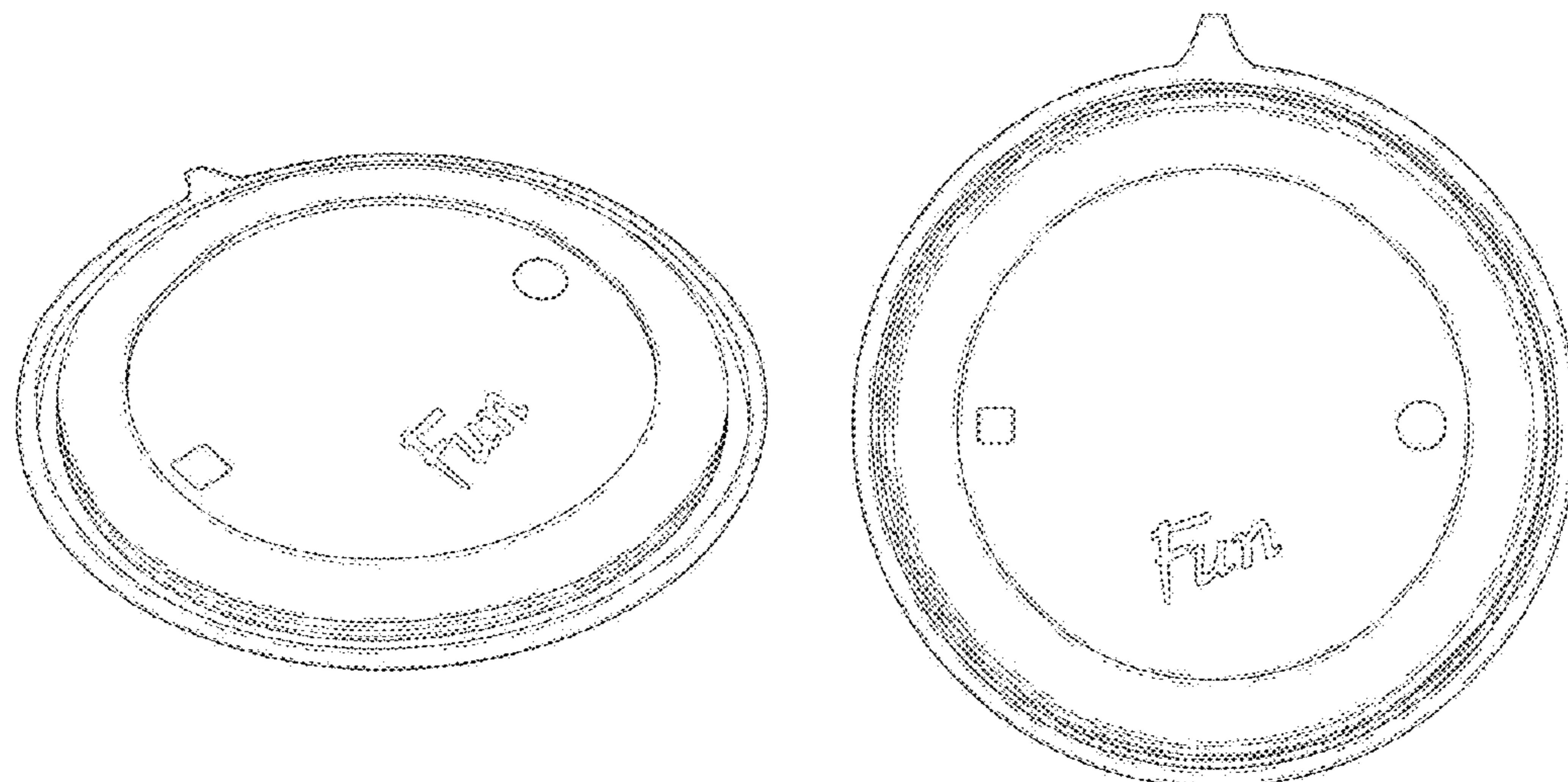
FIG. 6 is a left side elevational view thereof.

FIG. 7 is a front elevational view thereof; and,

FIG. 8 is a rear elevational view thereof.

The broken lines are shown for the purpose of illustrating parts of the lid that form no part of the claim.

1 Claim, 8 Drawing Sheets



(56)

References Cited

U.S. PATENT DOCUMENTS

D382,175	S	*	8/1997	Green	D28/82
D408,590	S	*	4/1999	Litton	D28/82
D443,040	S	*	5/2001	Fabian	D23/249
D476,893	S	*	7/2003	Pinnavaia	D9/435
D507,078	S	*	7/2005	Greenfield	D28/82
D512,914	S	*	12/2005	Moretti	D9/454
D526,564	S	*	8/2006	Slavin	D9/454
D527,428	S	*	8/2006	Cooper	D21/443
D531,036	S	*	10/2006	Bried	D9/504
D563,785	S	*	3/2008	Maki	D9/454
D564,877	S	*	3/2008	Hood	D9/454
D632,959	S	*	2/2011	Peters	D9/454
D633,644	S	*	3/2011	Sprengers	D26/89
D685,527	S	*	7/2013	Eberlein	D28/82
D688,946	S	*	9/2013	Pirincci	D9/454
D694,463	S	*	11/2013	Sieczkowski	D26/124
D695,613	S	*	12/2013	Miranda De Araujo	D9/449
D711,250	S	*	8/2014	Henriksson	D9/504
D744,698	S	*	12/2015	Kalyanpur	D28/82
D756,222	S	*	5/2016	Lopez	D23/260

FOREIGN PATENT DOCUMENTS

JP	D1405825	*	1/2011
JP	D1435799	*	3/2012

* cited by examiner

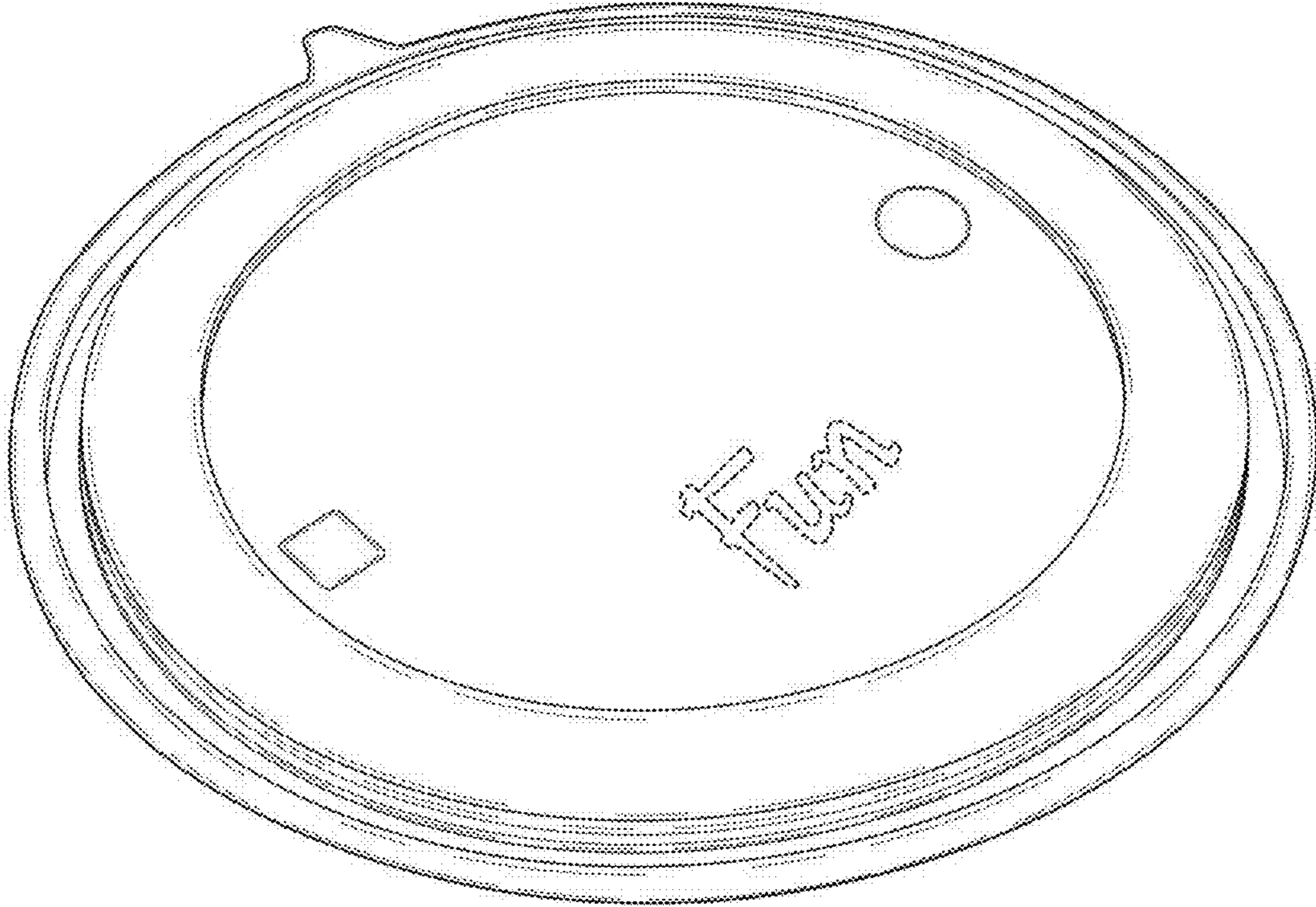


Fig. 1

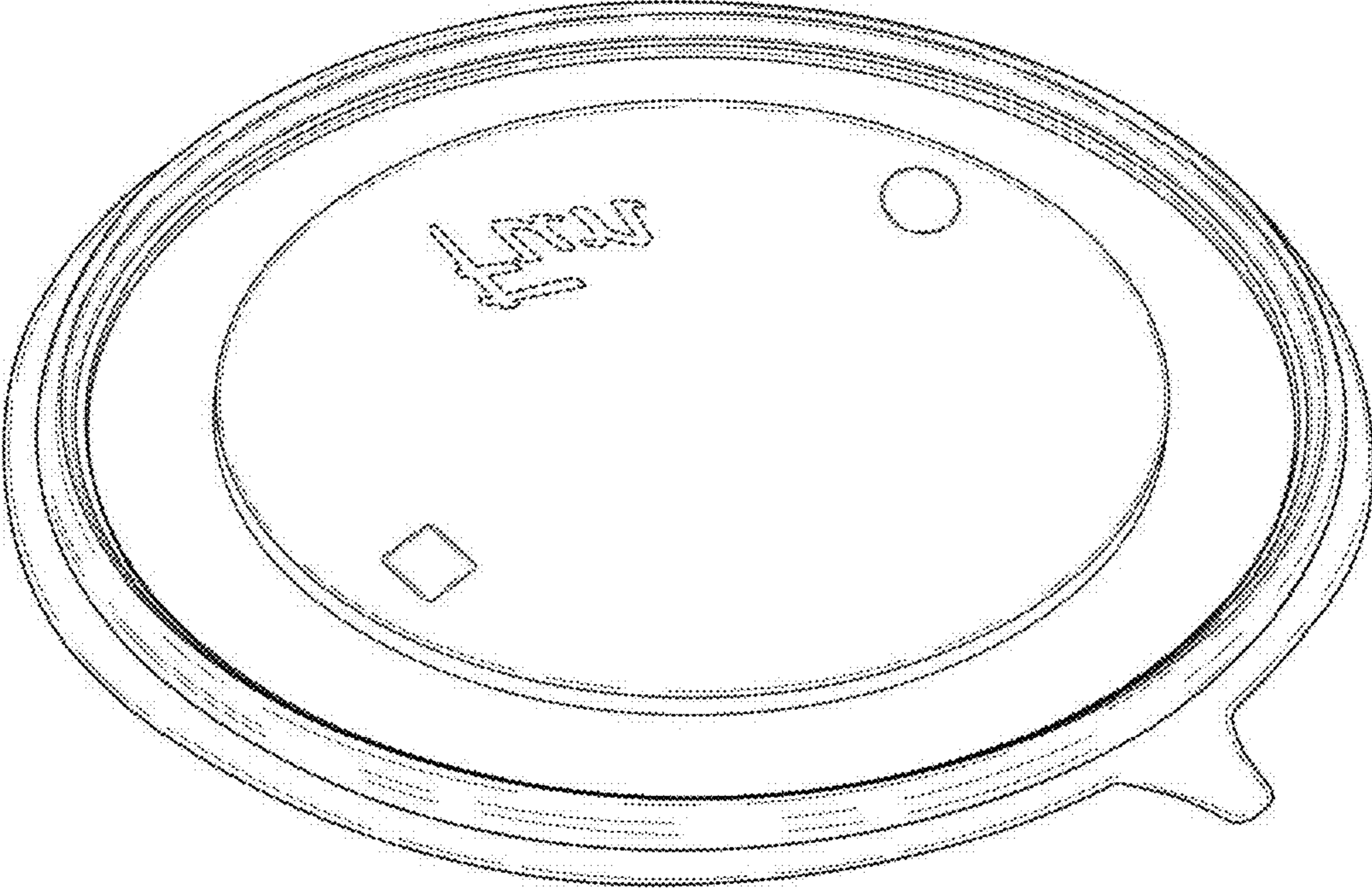


Fig.2

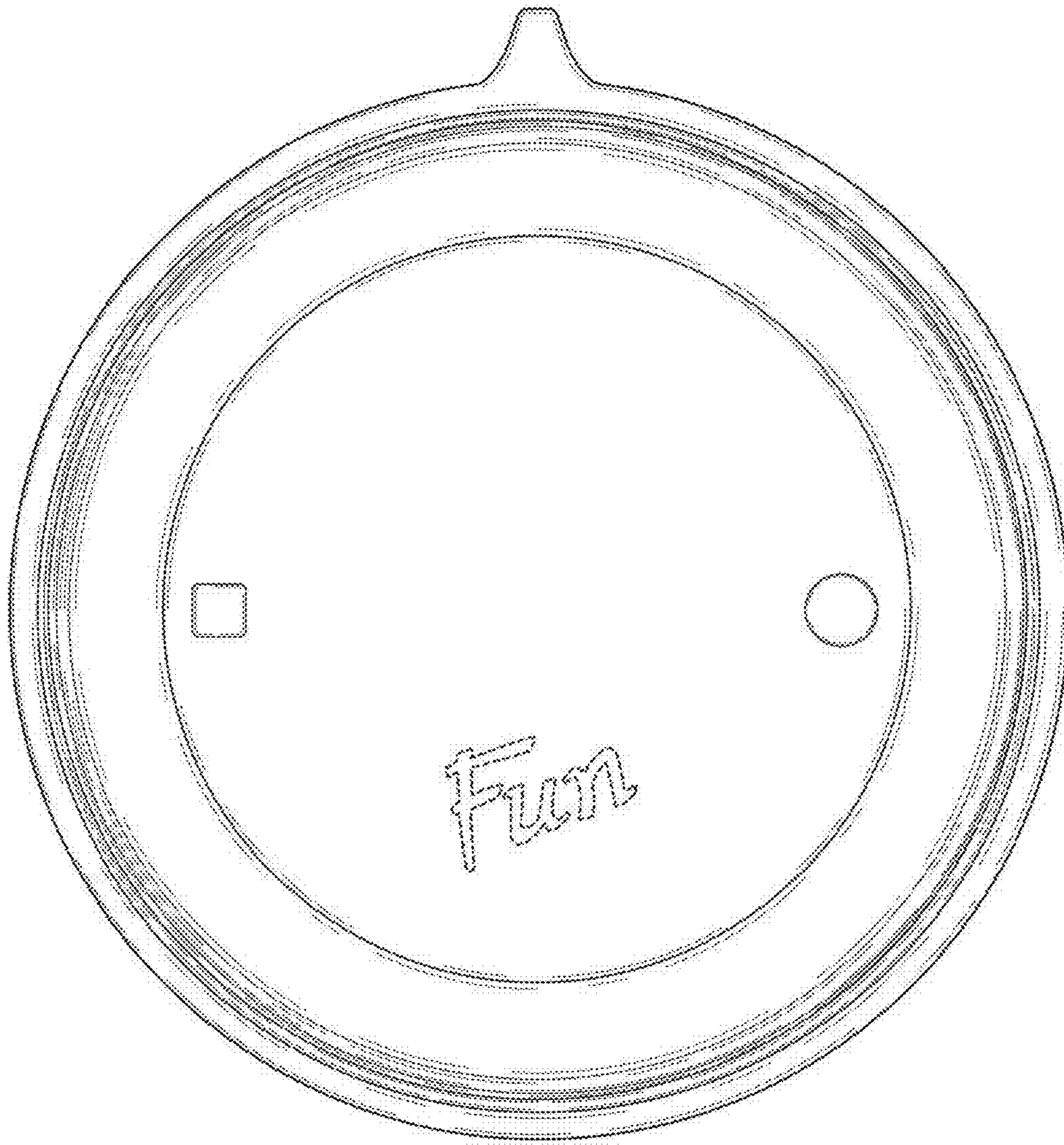


Fig.3

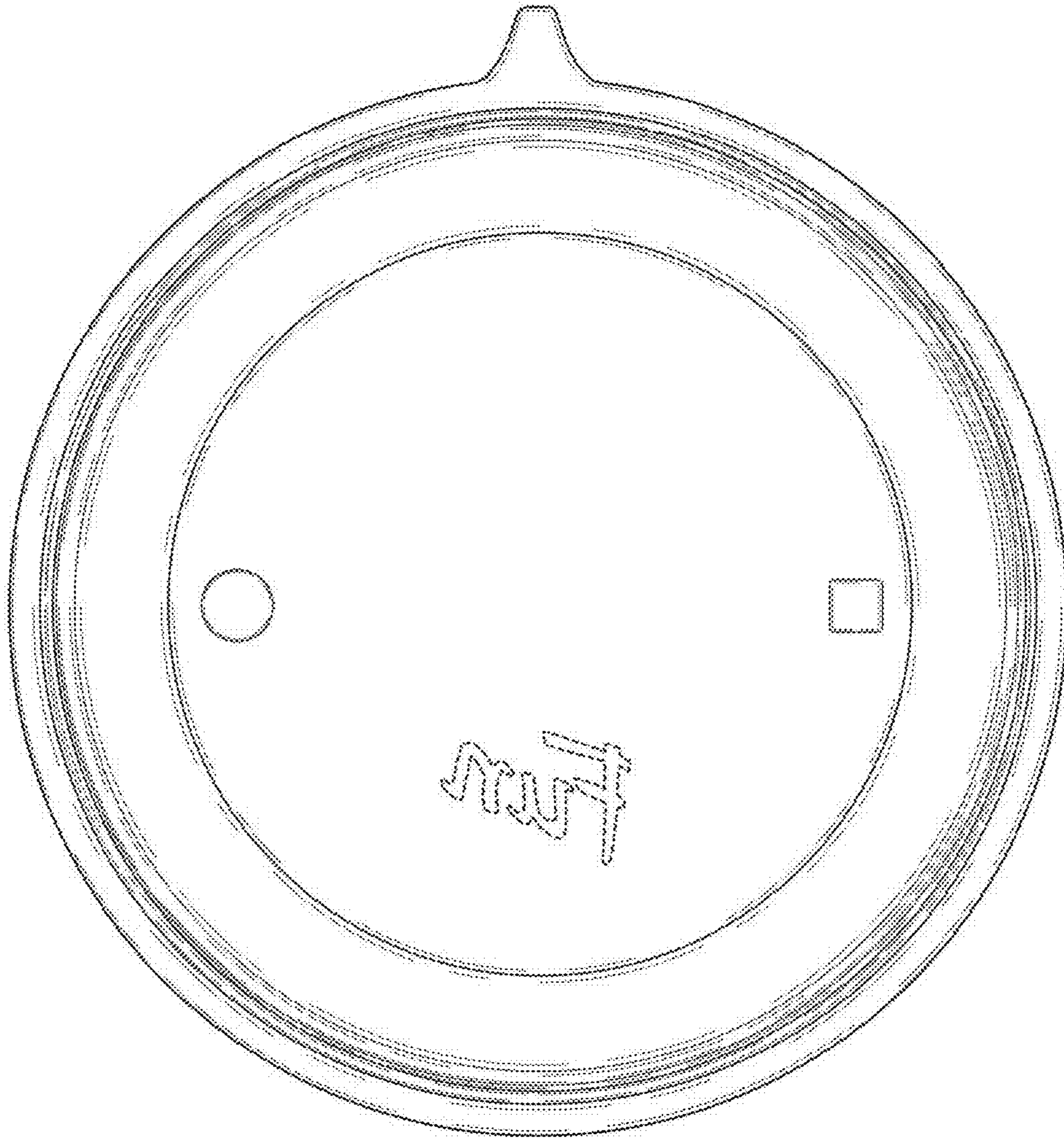


Fig.4



Fig. 5

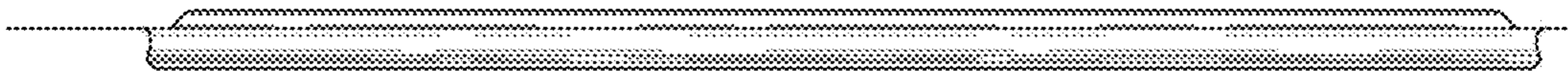


Fig.6

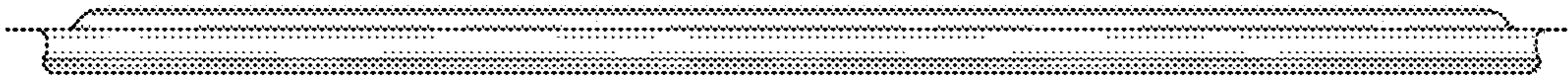


Fig. 7

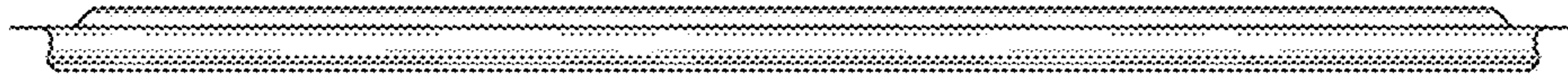


Fig. 8