



US00D795063S

(12) **United States Design Patent**
Arriaga

(10) **Patent No.:** **US D795,063 S**

(45) **Date of Patent:** **** Aug. 22, 2017**

(54) **BOTTLE CAP WITH INTEGRATED BOTTLE OPENER**

(71) Applicant: **Huitzilo Arriaga**, Santa Ana, CA (US)

(72) Inventor: **Huitzilo Arriaga**, Santa Ana, CA (US)

(**) Term: **15 Years**

(21) Appl. No.: **29/557,452**

(22) Filed: **Mar. 9, 2016**

Related U.S. Application Data

(62) Division of application No. 29/535,997, filed on Aug. 12, 2015, now Pat. No. Des. 754,536.

(51) **LOC (10) Cl.** **09-07**

(52) **U.S. Cl.**
USPC **D9/436; D9/443**

(58) **Field of Classification Search**
USPC D9/434, 435, 436, 440, 443, 444, 445,
D9/499; D8/33, 34; 215/226, 228, 303,
215/390; D17/20

CPC ... B65D 51/24; B65D 51/243; B65D 41/0485
See application file for complete search history.

(56) **References Cited**

U.S. PATENT DOCUMENTS

- 1,978,627 A * 10/1934 Gouverneur B28B 3/022
425/418
- 2,939,210 A * 6/1960 Cannan B26D 3/10
30/124
- D278,517 S 4/1985 Milin
- D308,929 S * 7/1990 Greig D27/144
- 5,467,891 A * 11/1995 Perry B65D 81/3886
220/62.11
- 6,032,339 A * 3/2000 D'Addario A45C 13/1092
24/265 BC

(Continued)

OTHER PUBLICATIONS

Examiner search results from parent: U.S. Appl. No. 29/535,997.
Applicant search methodology from parent: U.S. Appl. No. 29/535,997.

Primary Examiner — Robert M Spear

(74) *Attorney, Agent, or Firm* — Steve Reiss; ScienBizIp, P.C.

(57) **CLAIM**

The ornamental design for a bottle cap with integrated bottle opener, as shown and described.

DESCRIPTION

This application is related to pending U.S. Utility patent application Ser. No. 14/824,743, filed Aug. 12, 2015.

This application is related to pending U.S. Design patent application Ser. No. 29/557,456, filed concurrently with this application.

FIG. 1 is a top perspective view of a bottle cap with integrated bottle opener according to my new design.

FIG. 2 is a side/bottom perspective view of the design shown in FIG. 1.

FIG. 3 is a front elevation view of the design shown in FIG. 1.

FIG. 4 is a left side elevation view of the design shown in FIG. 1.

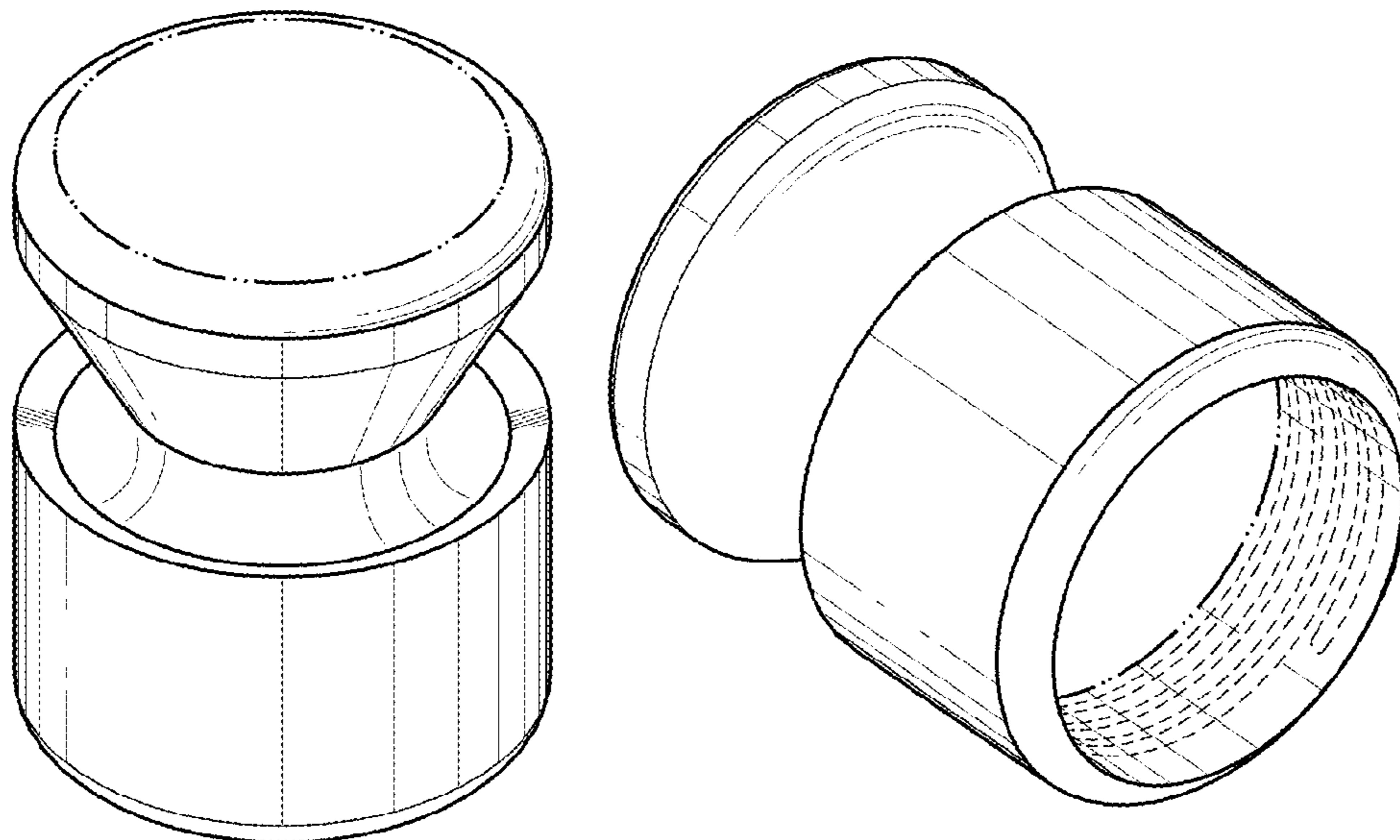
FIG. 5 is a rear elevation view of the design shown in FIG. 1.

FIG. 6 is a right elevation view of the design shown in FIG. 1.

FIG. 7 is a top plan view of the design shown in FIG. 1; and, FIG. 8 is a bottom plan view of the design shown in FIG. 1.

The dash/dot/dot/dash broken lines represent boundaries of the claim; the evenly-spaced broken lines represent environmental subject matter. The broken lines form no part of the claim.

1 Claim, 2 Drawing Sheets



(56)

References Cited

U.S. PATENT DOCUMENTS

6,039,207 A * 3/2000 Adamek B65D 81/3879
215/303
D427,069 S * 6/2000 Carter D9/436
D559,629 S * 1/2008 Gifford, Jr. D7/608
7,888,572 B2 * 2/2011 Rosenberg G10G 5/005
84/327
D653,512 S 2/2012 Frazier
D658,985 S * 5/2012 Sadykov D9/436
D684,448 S * 6/2013 Delgado D8/34
8,720,714 B2 5/2014 Romero
D726,007 S * 4/2015 Beth-Jacob D9/436
D733,496 S * 7/2015 Pisarevsky D7/507
2008/0098853 A1 5/2008 Choate
2008/0296249 A1 12/2008 Lockerman
2011/0107878 A1 5/2011 Gust
2013/0048592 A1 2/2013 Carley

* cited by examiner

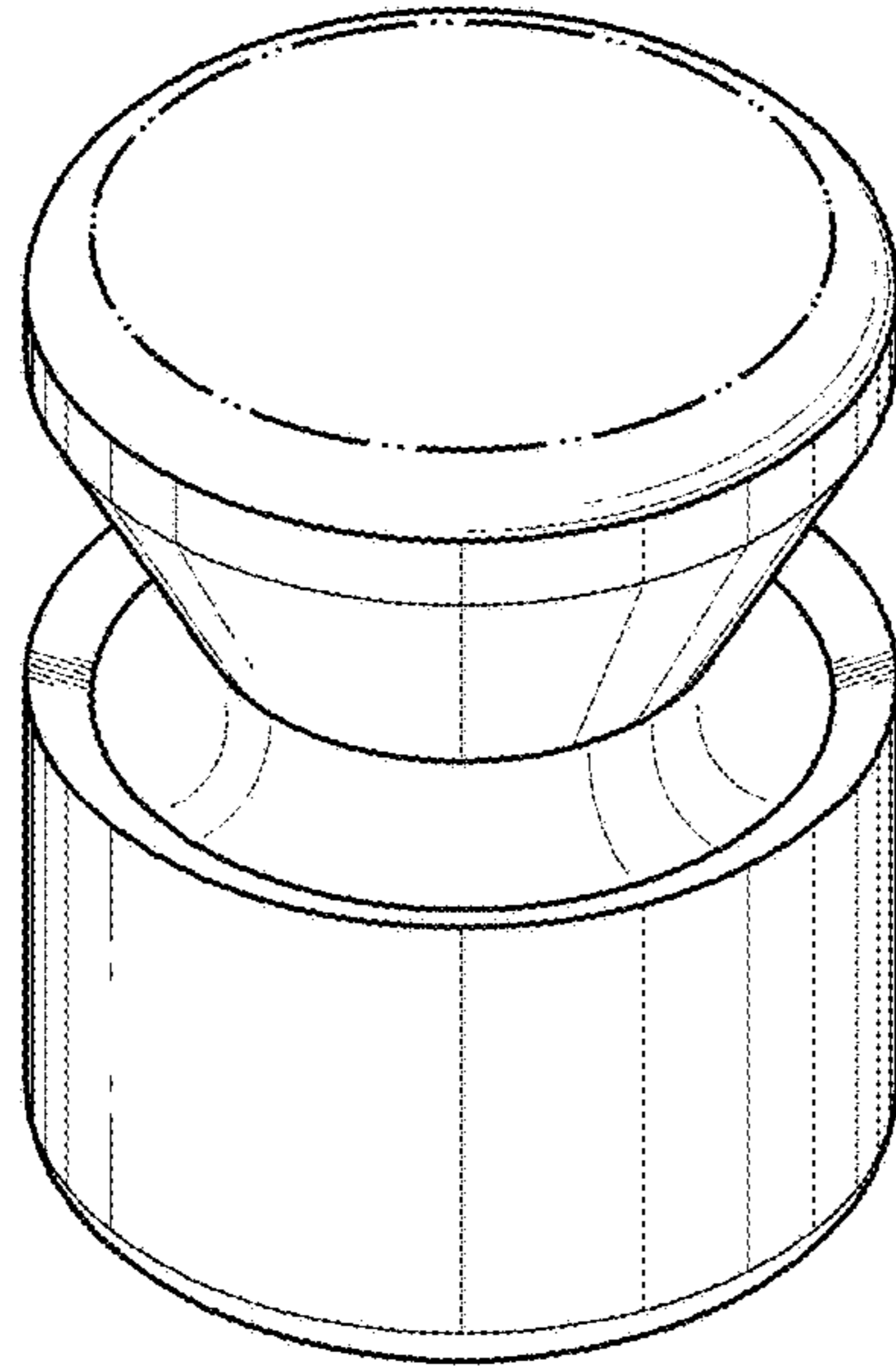


FIG. 1

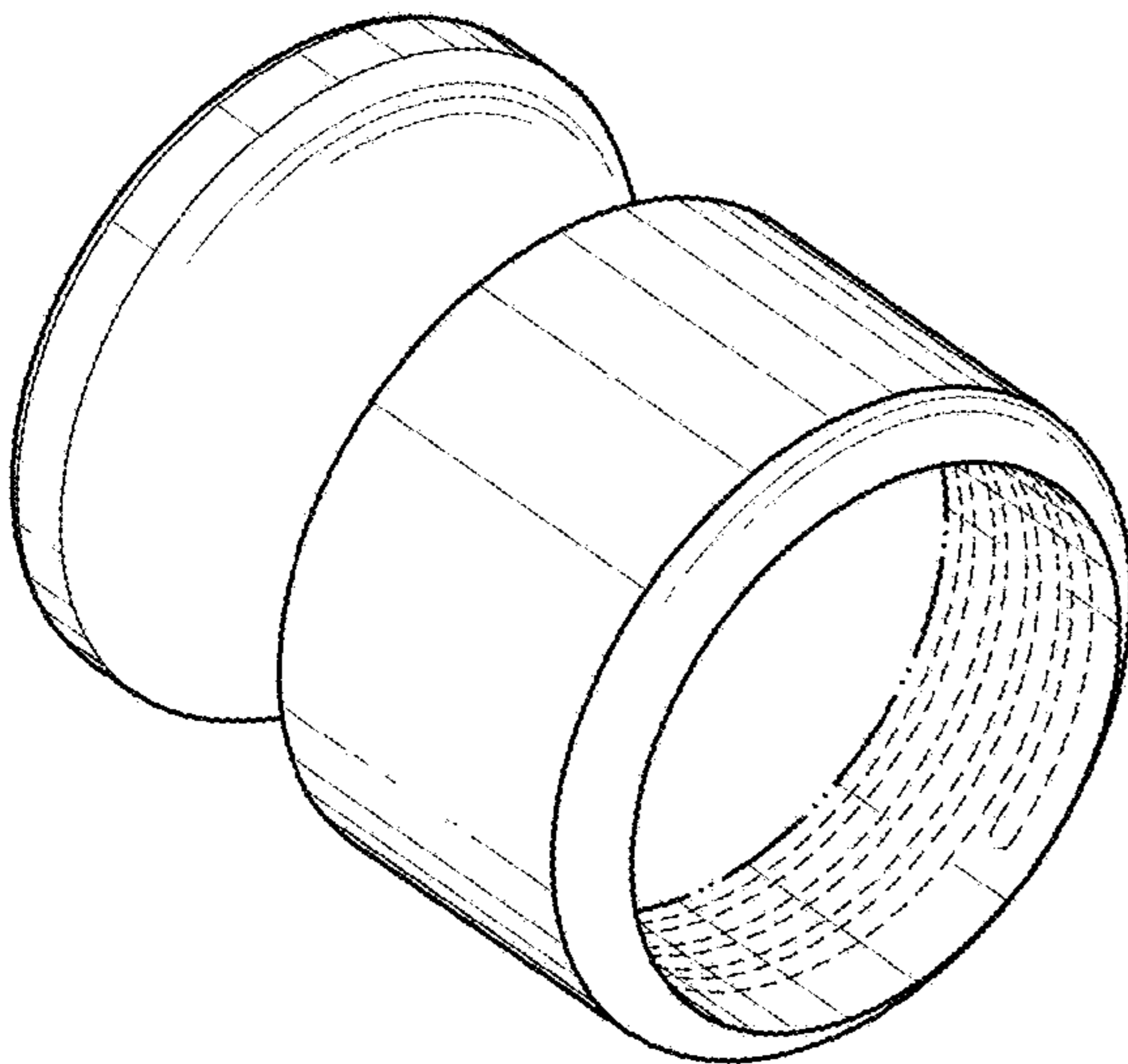


FIG. 2

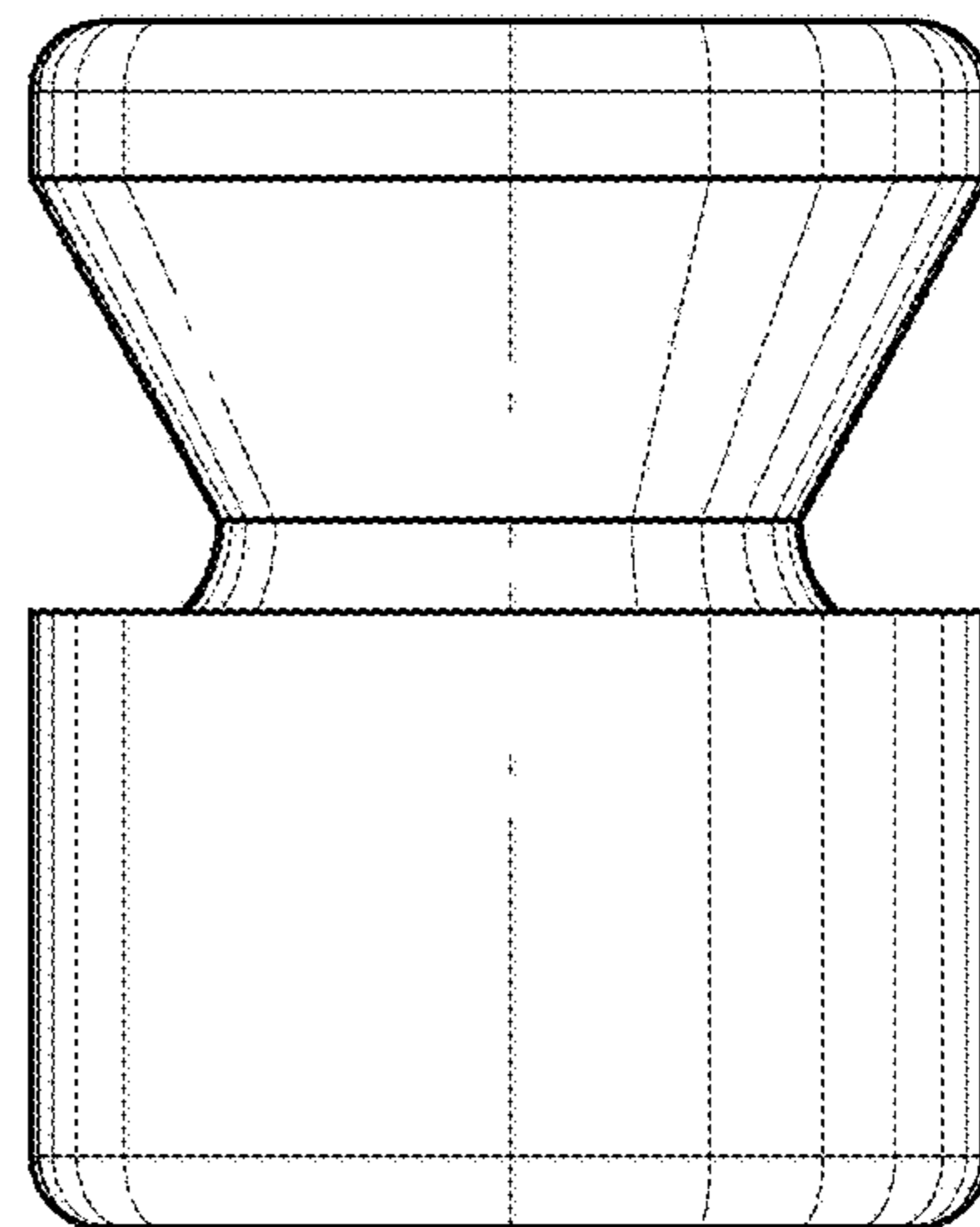


FIG. 3

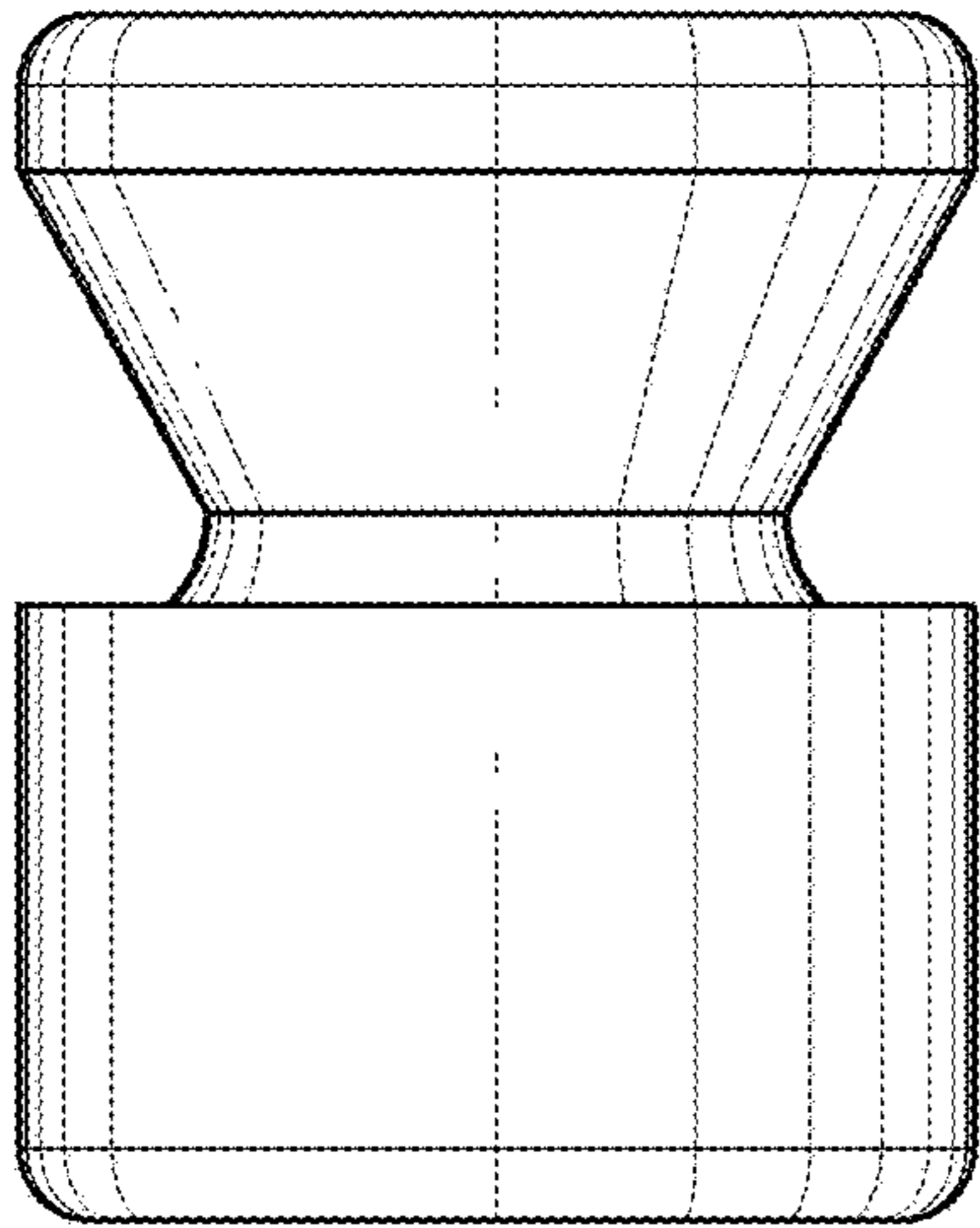


FIG. 4

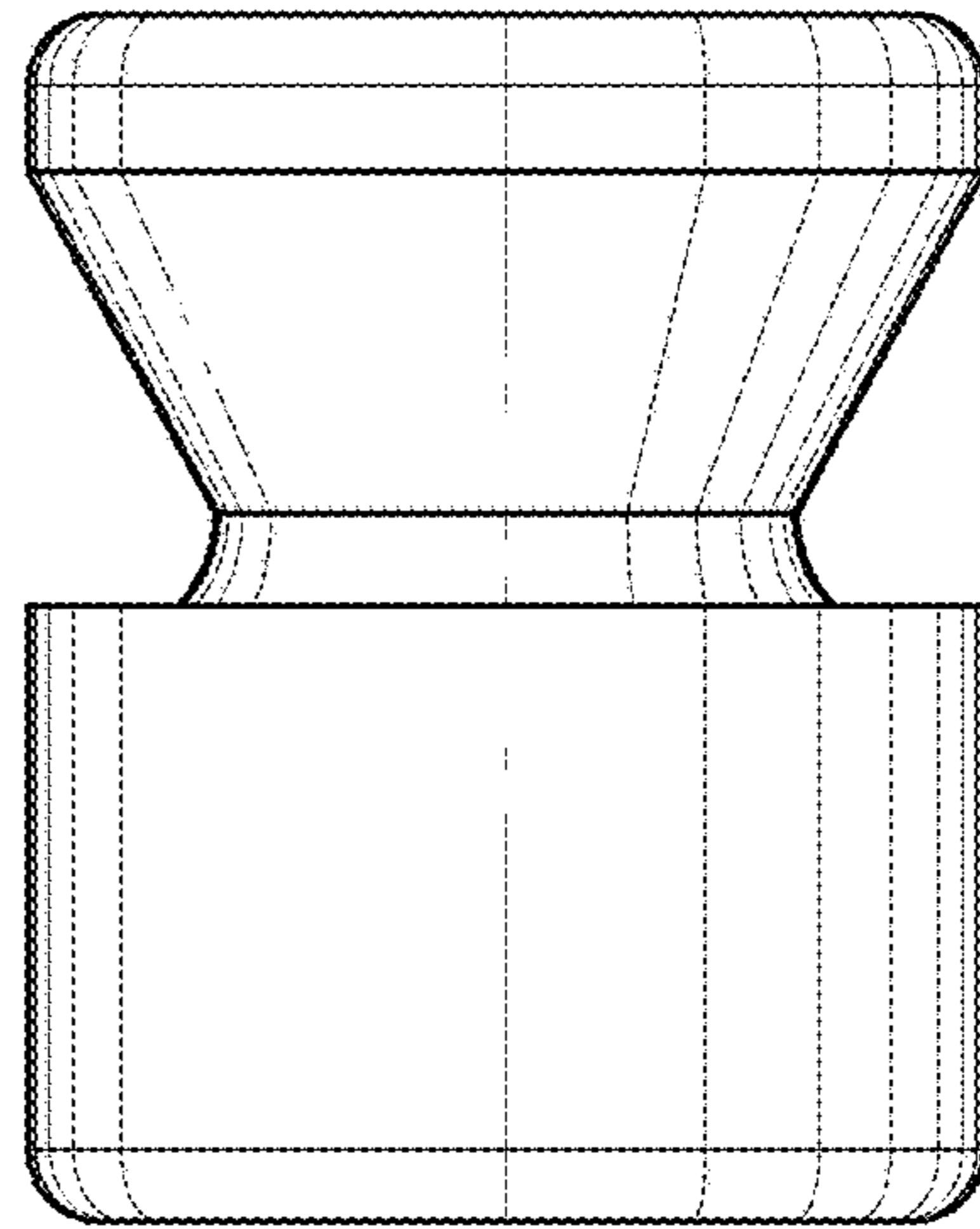


FIG. 5

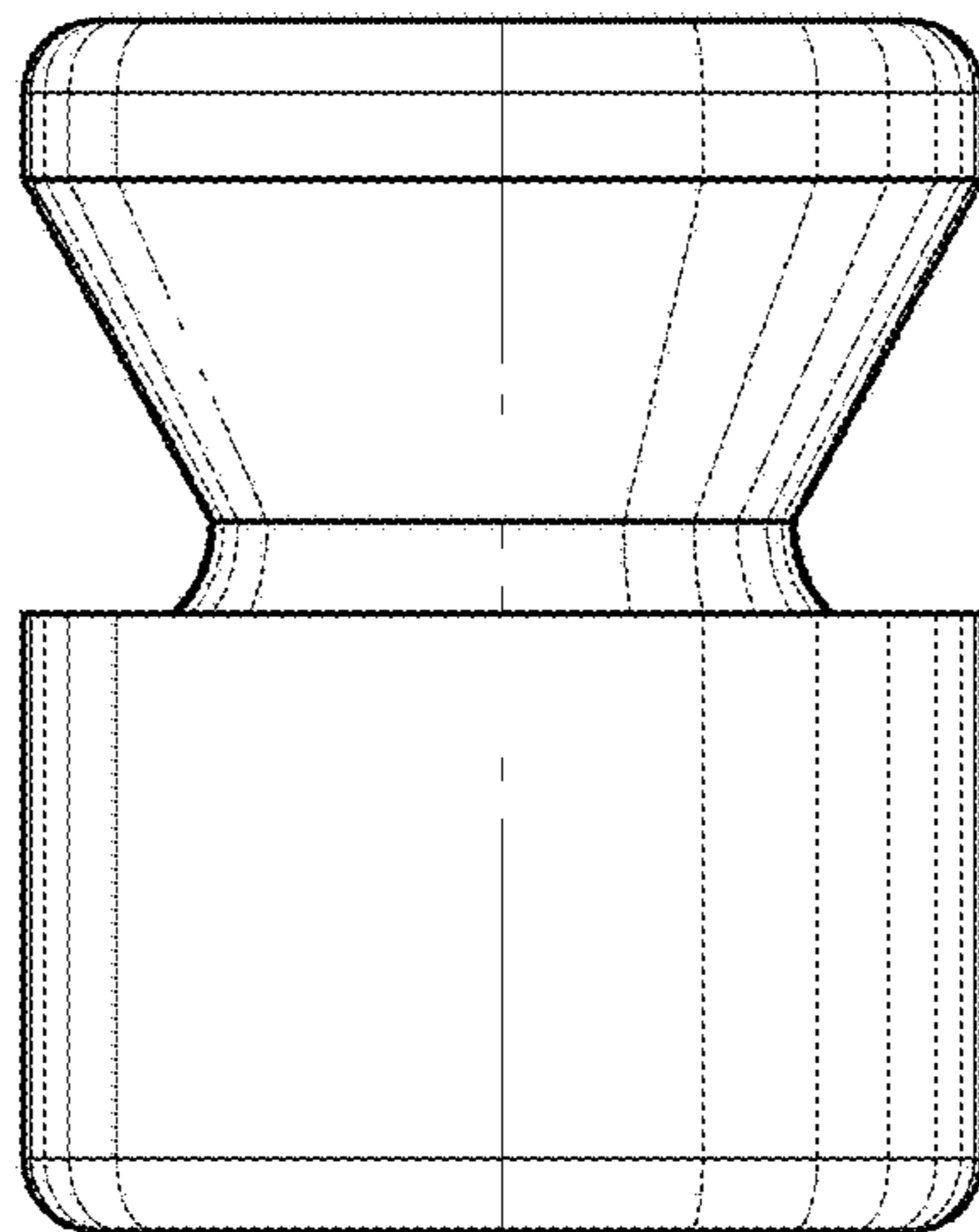


FIG. 6

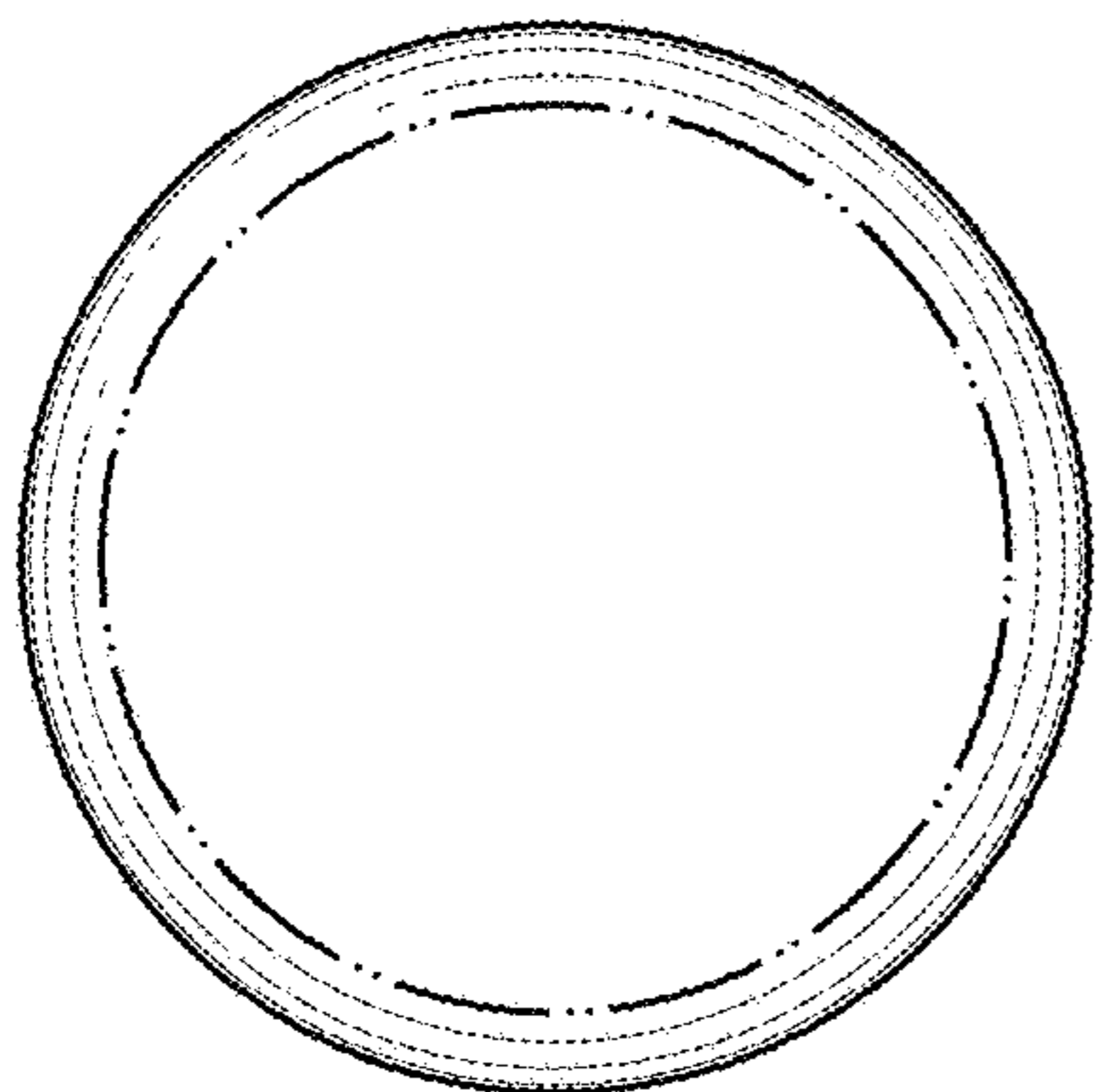


FIG. 7

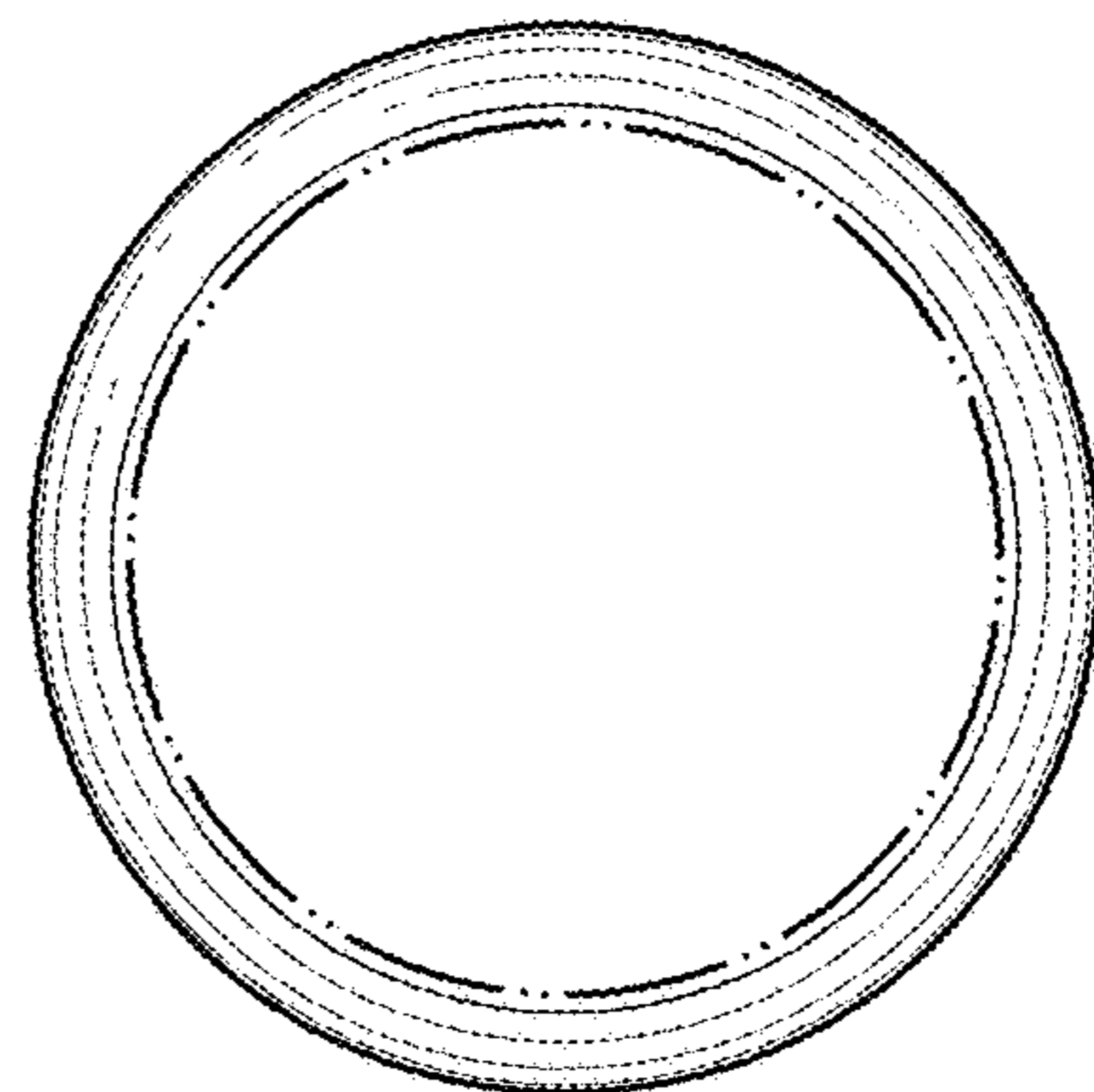


FIG. 8