



US00D795062S

(12) **United States Design Patent** (10) **Patent No.:** **US D795,062 S**
Ogura (45) **Date of Patent:** **** Aug. 22, 2017**

(54) **BOX**
(71) Applicant: **KYB CORPORATION**, Minato-ku, Tokyo (JP)
(72) Inventor: **Eizo Ogura**, Osaka (JP)
(73) Assignee: **KYB CORPORATION**, Tokyo (JP)
(**) Term: **15 Years**
(21) Appl. No.: **29/578,722**
(22) Filed: **Sep. 23, 2016**
(30) **Foreign Application Priority Data**
Mar. 25, 2016 (JP) 2016-006496
(51) **LOC (10) Cl.** **09-07**
(52) **U.S. Cl.**
USPC **D9/434; D9/432; D9/672**
(58) **Field of Classification Search**
USPC D9/414, 417, 428, 432, 434, 435, D9/443-450, 452-456, 499, 682-685, D9/672; D7/387, 392, 392.1, 393, D7/396.1-396.4, 398, 401.1, 507, D7/509-511, 538, 900; D3/202, 294, D3/318; D28/91.1; D6/580, 699, 699.4, D6/702; D8/349, 354, 382, 107, 300, D8/321, 322; D24/130; D12/159
CPC .. A61J 1/00; A61J 1/1412; B65D 1/00; B65D 1/02; B65D 1/10; B65D 1/46; B65D 2585/56; B65D 2585/545; B65D 41/00; B65D 41/38; B65D 41/56; B65D 41/62; B65D 47/00; B65D 47/06; B65D 47/08; B65D 2543/00046; B65D 2543/00092; B65D 2543/00296; B65D 5/46; B65D 2251/00

See application file for complete search history.

(56) **References Cited**
U.S. PATENT DOCUMENTS
D553,545 S * 10/2007 Nygren D12/159
D563,287 S * 3/2008 Falter D12/159
D567,080 S * 4/2008 Bone D9/432
D605,504 S * 12/2009 Bone D9/432
D617,634 S * 6/2010 Cote D9/414

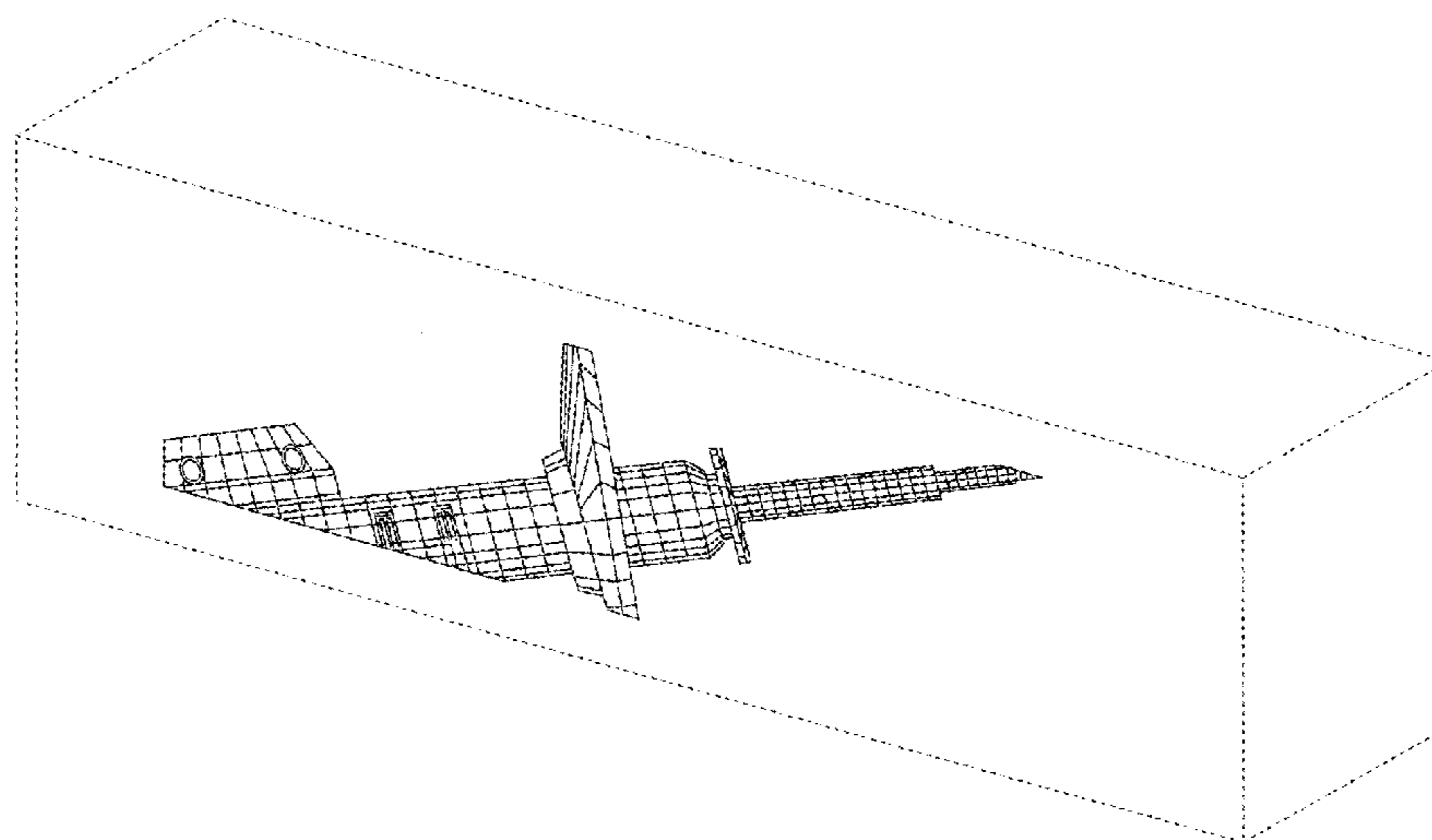
(Continued)

Primary Examiner — Karen S Acker
Assistant Examiner — Wendy Arminio
(74) *Attorney, Agent, or Firm* — Andrew F. Young, Esq.; Lackenbach Siegel, LLP

(57) **CLAIM**
The ornamental design for a box, as shown and described.
DESCRIPTION

FIG. 1 is a front perspective view of a first embodiment of the present invention, a rear perspective view being identical thereof.
FIG. 2 is a front elevation view of FIG. 1.
FIG. 3 is a rear side elevation view of FIG. 1.
FIG. 4 is a top plan view of FIG. 1.
FIG. 5 is a bottom plan view of FIG. 1.
FIG. 6 is a left side elevation view of FIG. 1.
FIG. 7 is a right side elevation view view of FIG. 1.
FIG. 8 is a front perspective view of a second embodiment of the present invention, a rear perspective view being identical thereof.
FIG. 9 is a front elevation view of FIG. 8.
FIG. 10 is a rear side elevation view of FIG. 8.
FIG. 11 is a top plan view of FIG. 8.
FIG. 12 is a bottom plan view of FIG. 8.
FIG. 13 is a left side elevation view of FIG. 8; and, FIG. 14 is a right side elevation view view of FIG. 8.
The broken lines illustrating the edges of the article depict portions of the box that form no part of the claimed design. The present invention are boxes with an ornamental indicia on the side thereof.

1 Claim, 8 Drawing Sheets



(56)

References Cited

U.S. PATENT DOCUMENTS

D636,667	S	*	4/2011	Barclay	D9/432
D649,874	S	*	12/2011	Barclay	D9/432
D650,273	S	*	12/2011	Tekulve	D9/432
D652,736	S	*	1/2012	Boyer	D9/432
D683,218	S	*	5/2013	Thompson	D9/432
D684,467	S	*	6/2013	Macaulay	D9/432
D687,706	S	*	8/2013	Akana	D9/414
D701,118	S	*	3/2014	Klopp	D9/434
D742,243	S	*	11/2015	Allen	D9/432
D743,795	S	*	11/2015	Castan Artal	D9/499
D754,473	S	*	4/2016	Kunz	D7/396.4
D767,398	S	*	9/2016	Miyazaki	D9/499
D768,481	S	*	10/2016	Gagliardo	D9/434
D769,121	S	*	10/2016	Mochizuki	D9/499
D779,320	S	*	2/2017	Rubio	D9/432

* cited by examiner

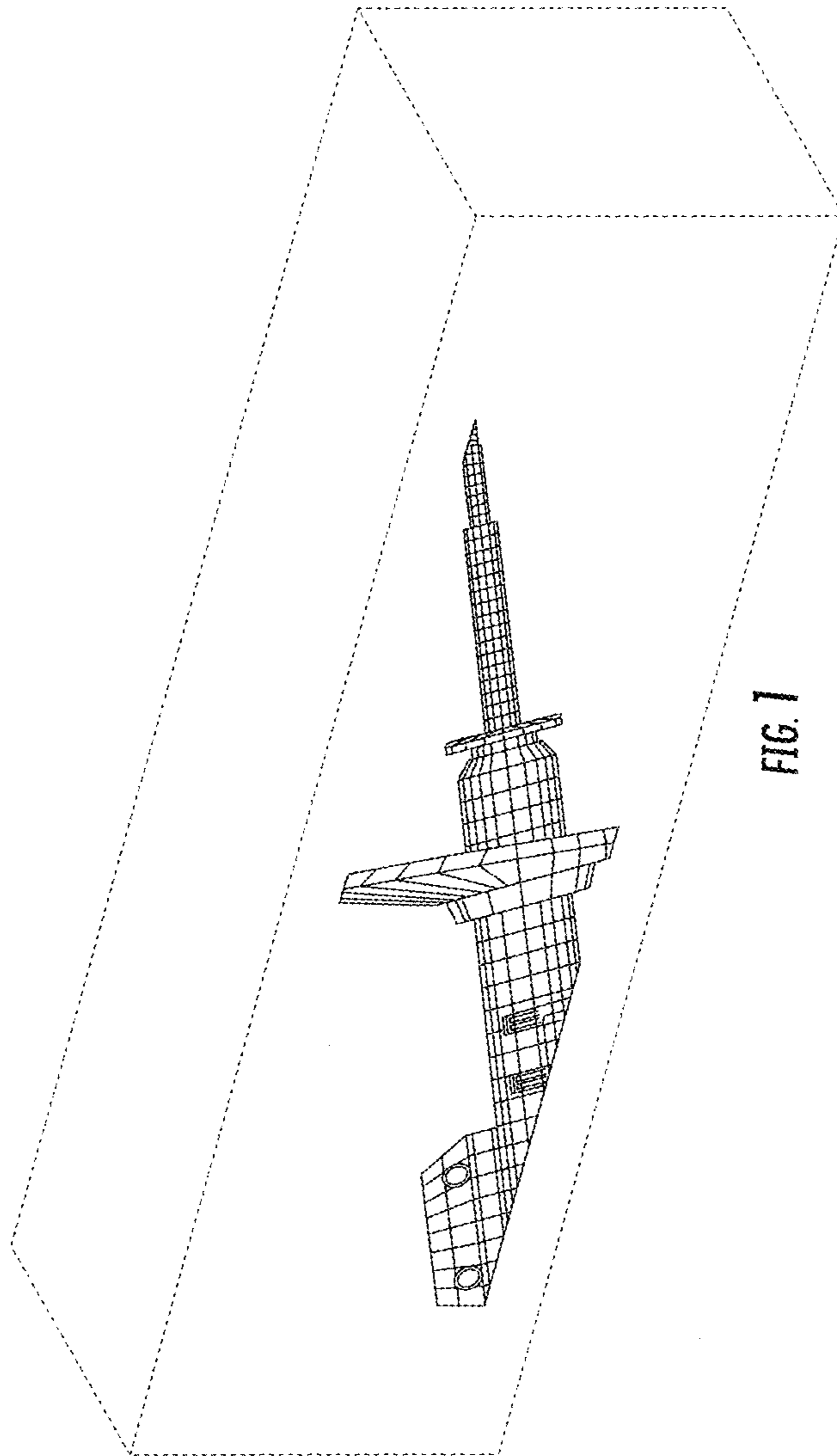


FIG. 1

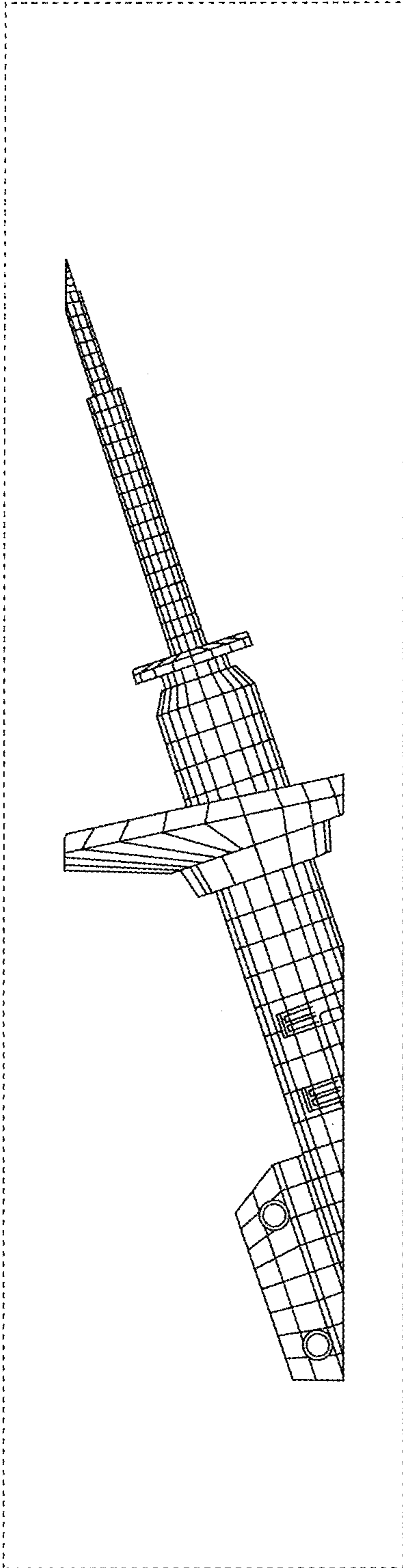


FIG. 2

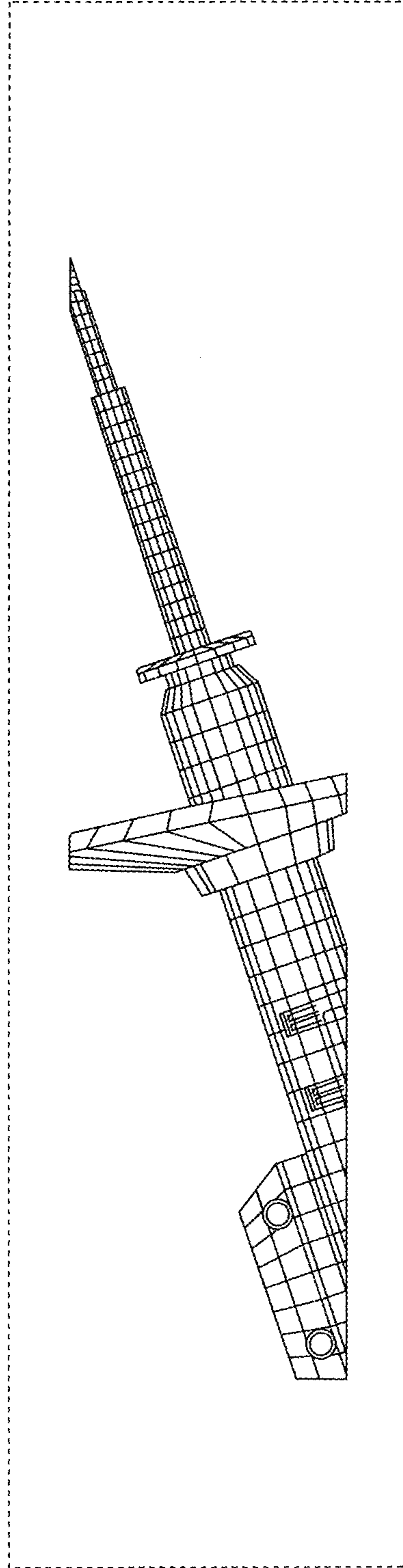


FIG. 3

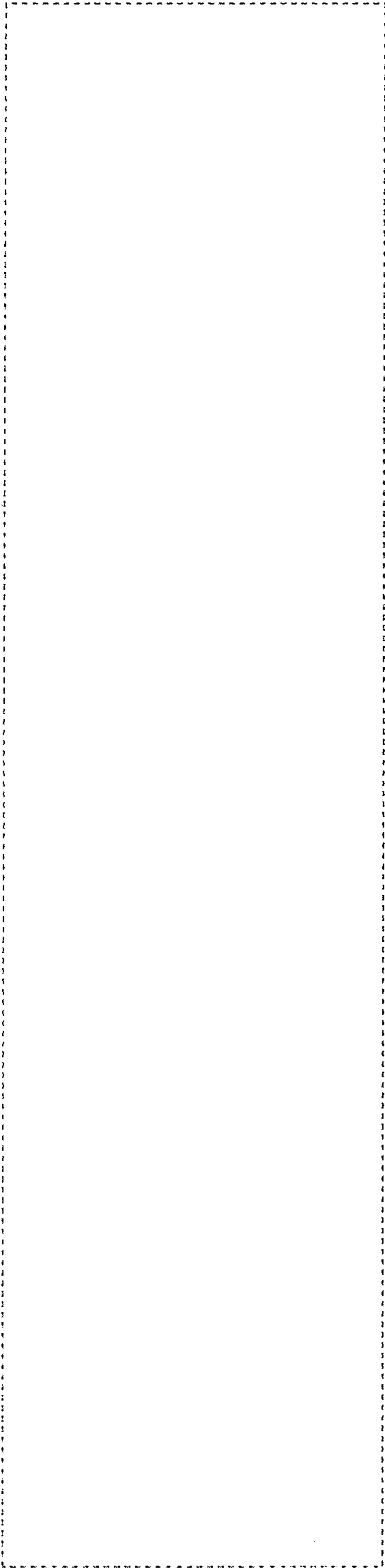


FIG. 4

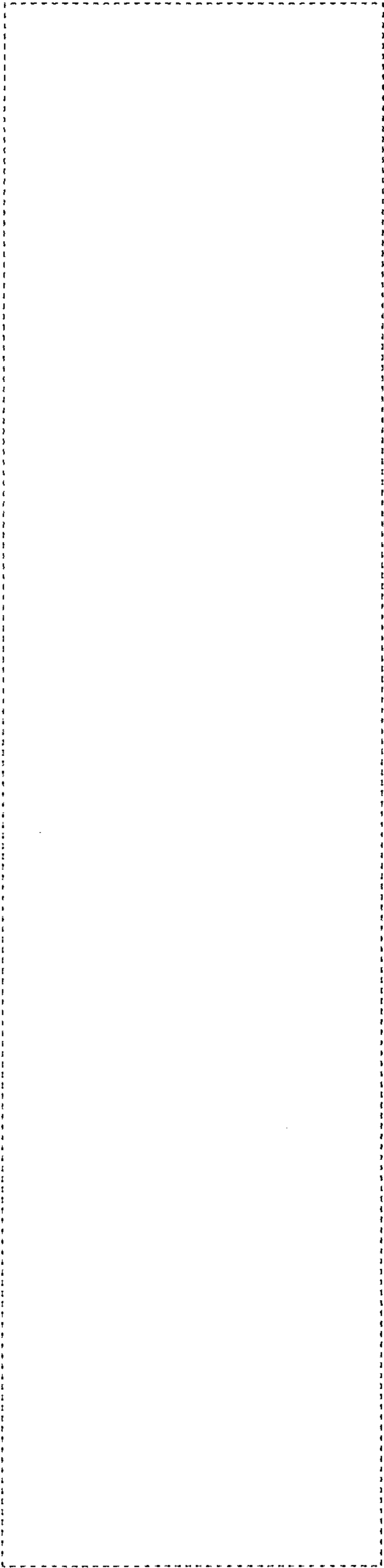


FIG. 5

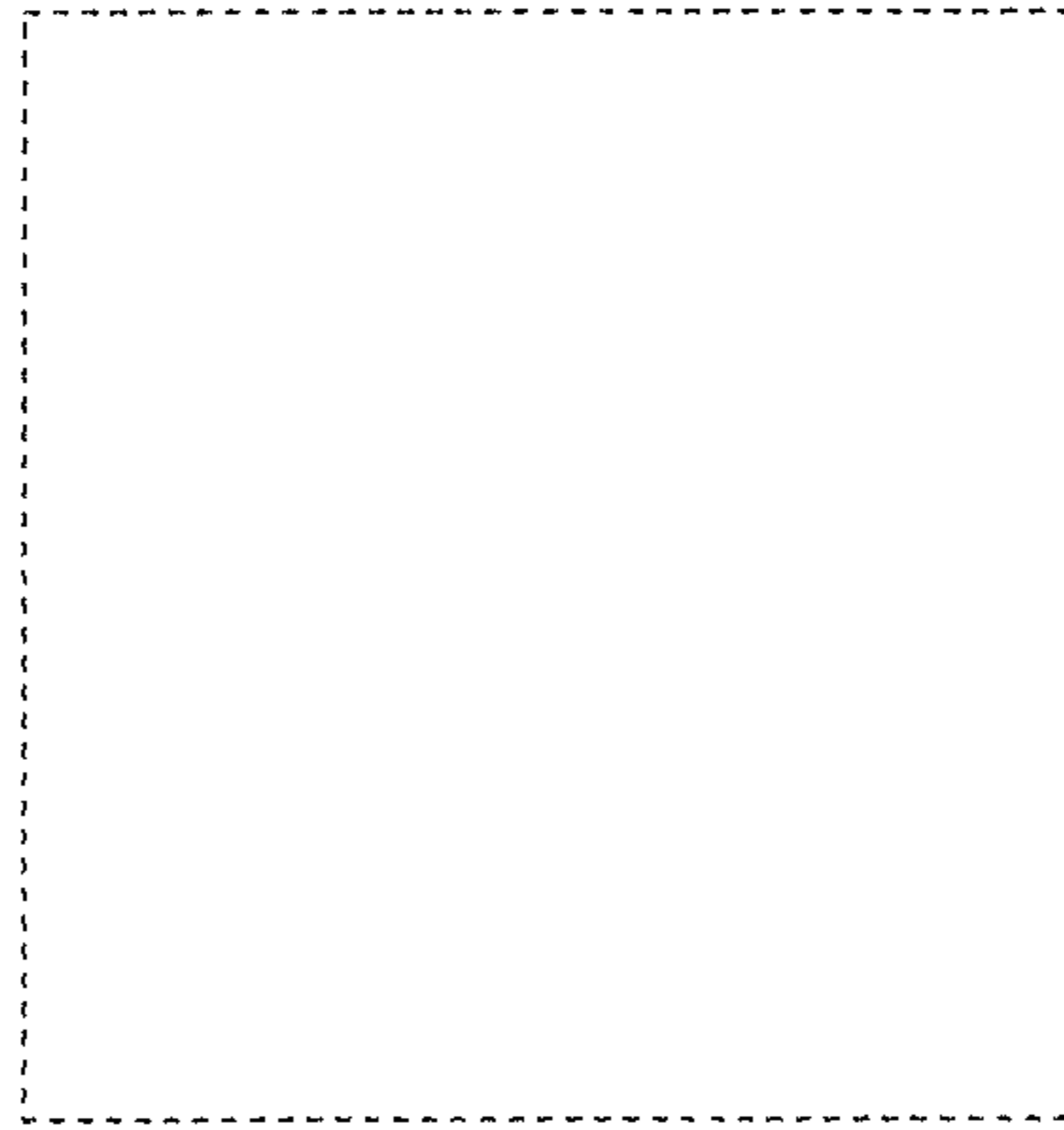


FIG. 6

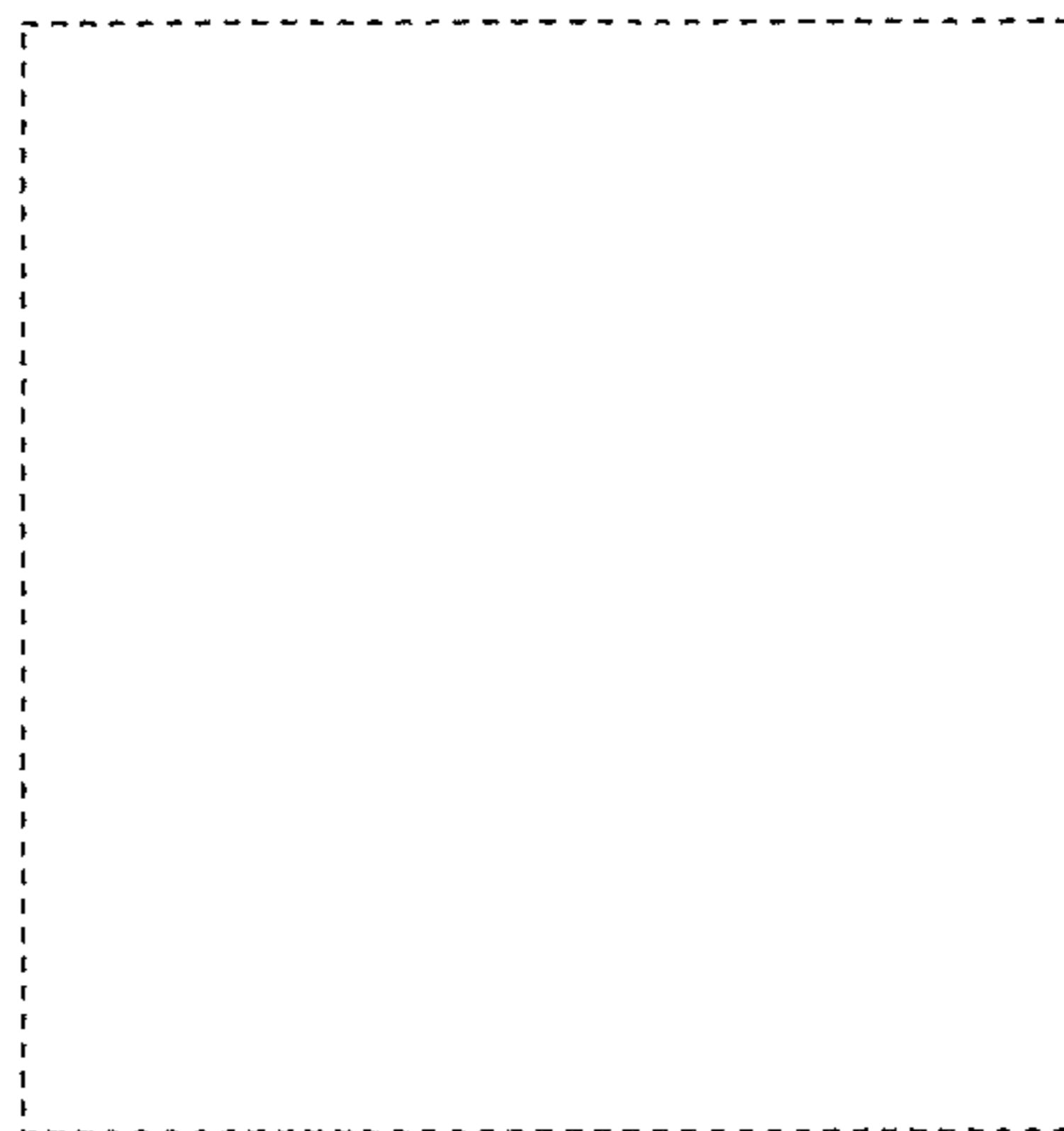


FIG. 7

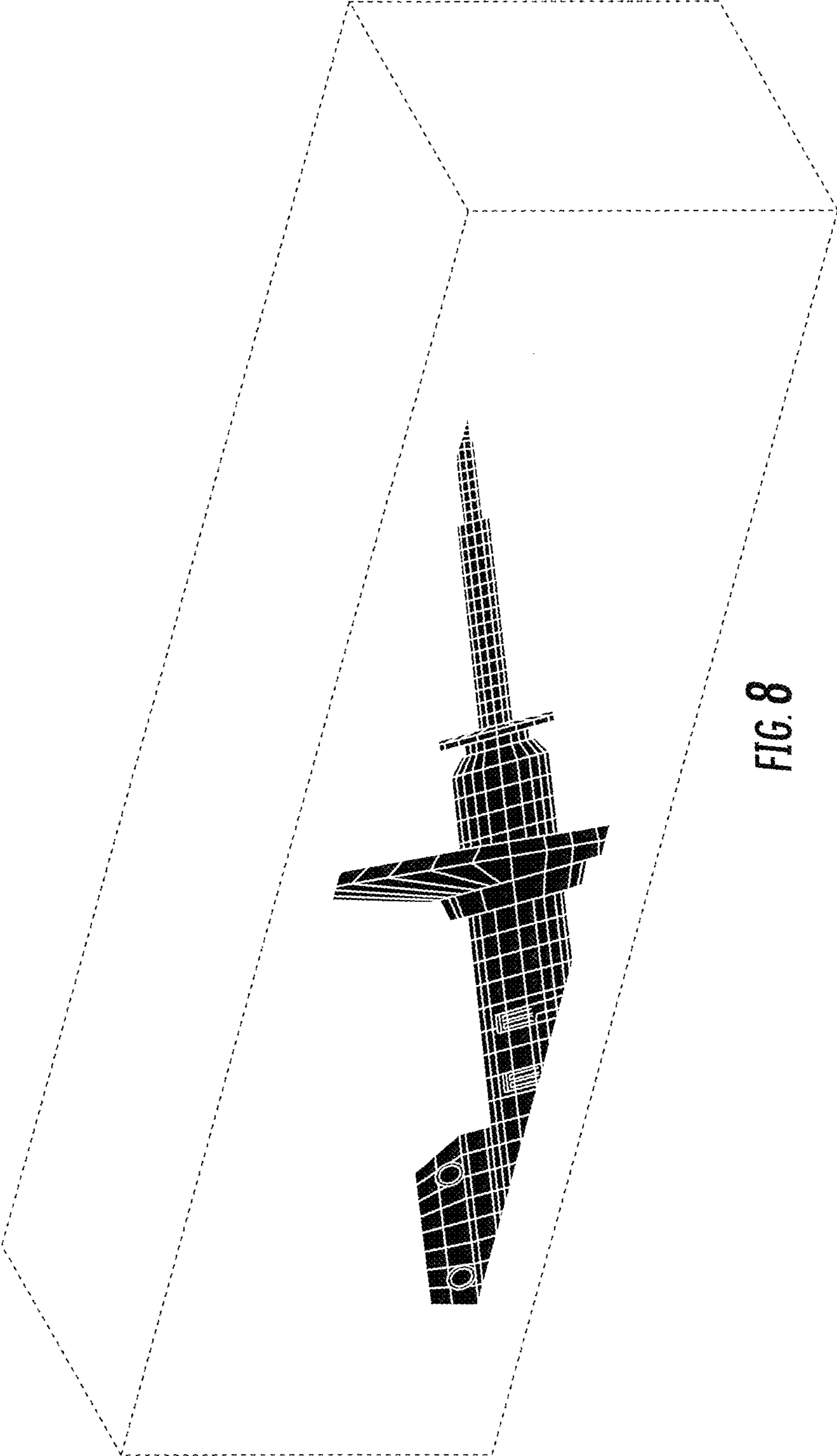


FIG. 8

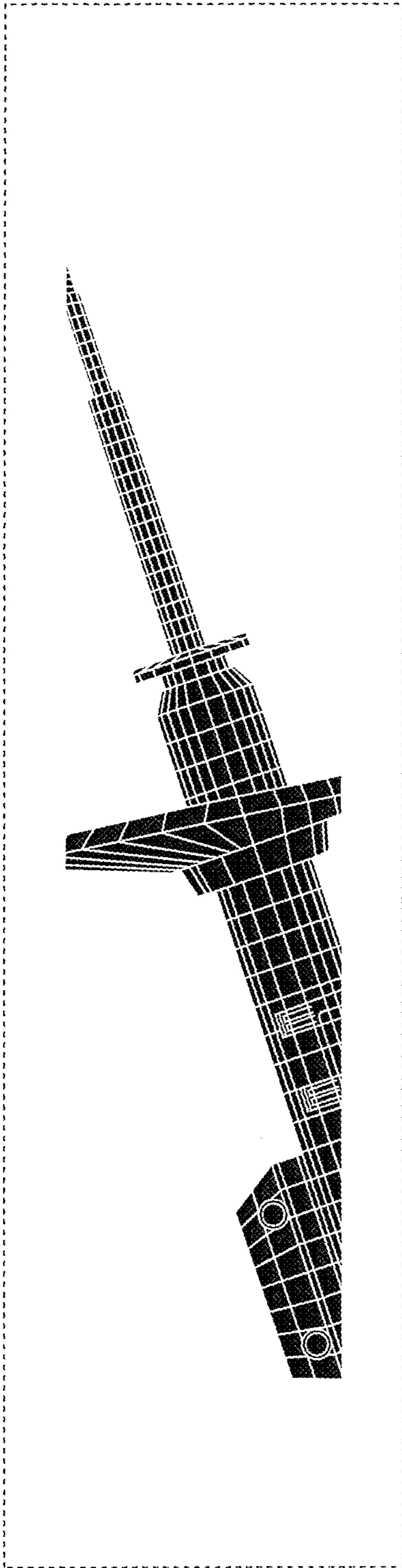


FIG. 9

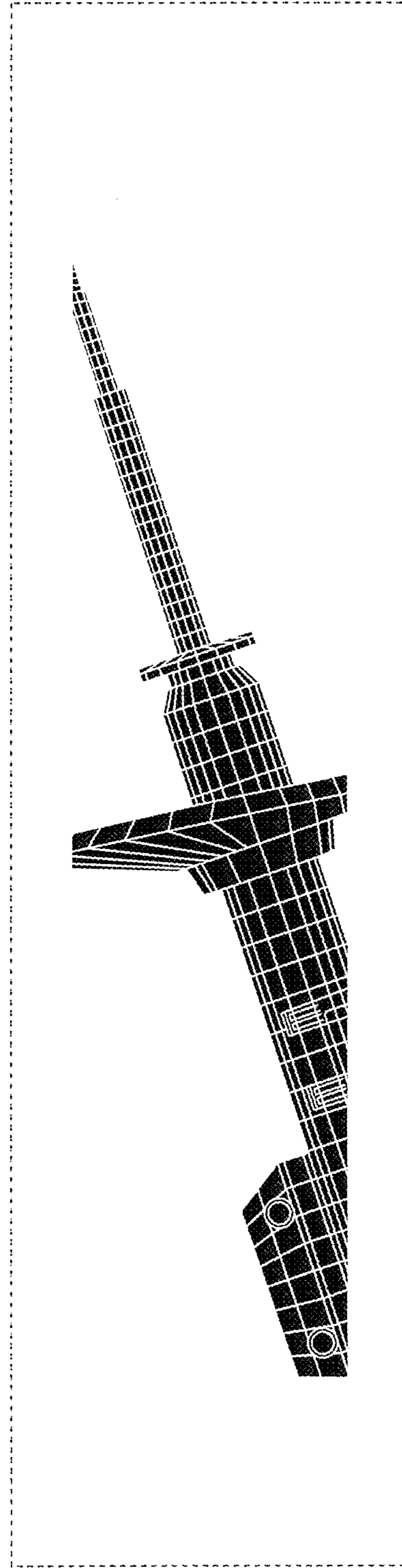


FIG. 10

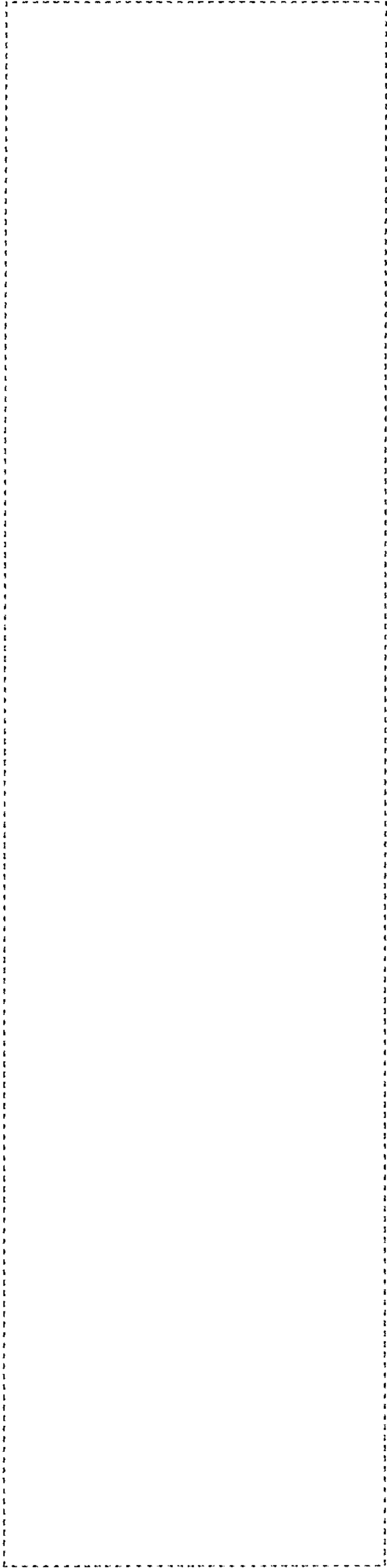


FIG. 11

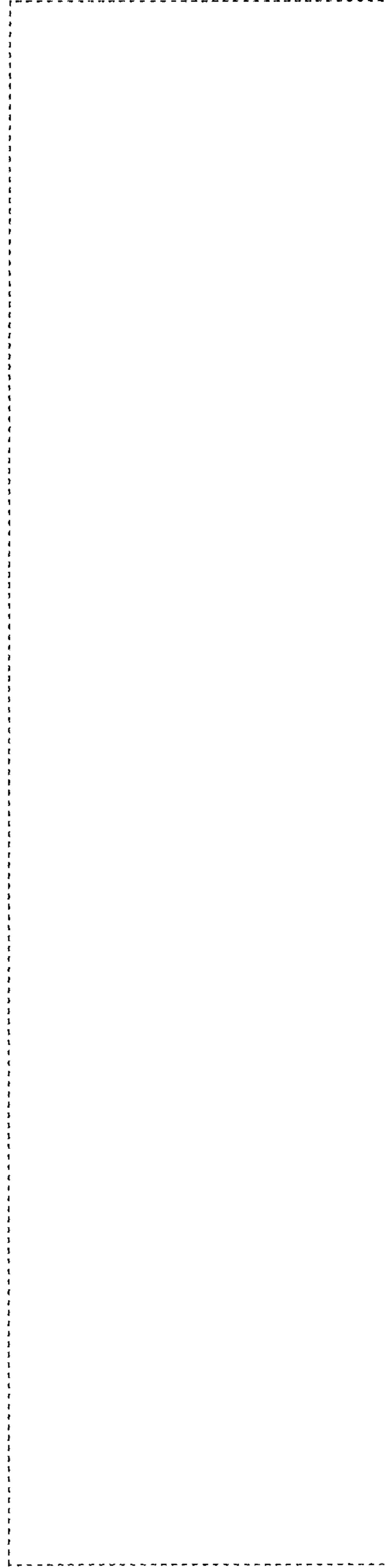


FIG. 12

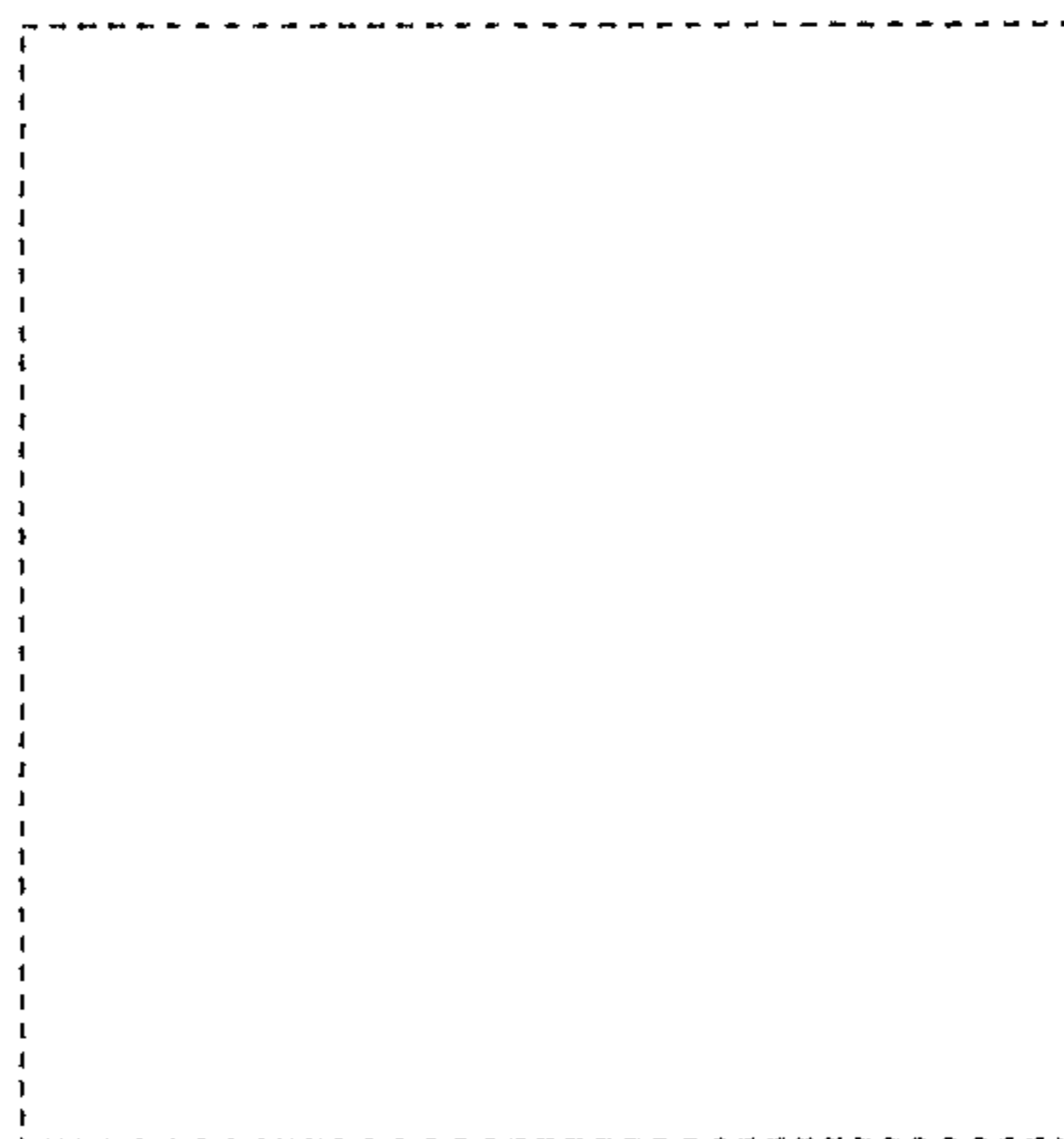


FIG. 13

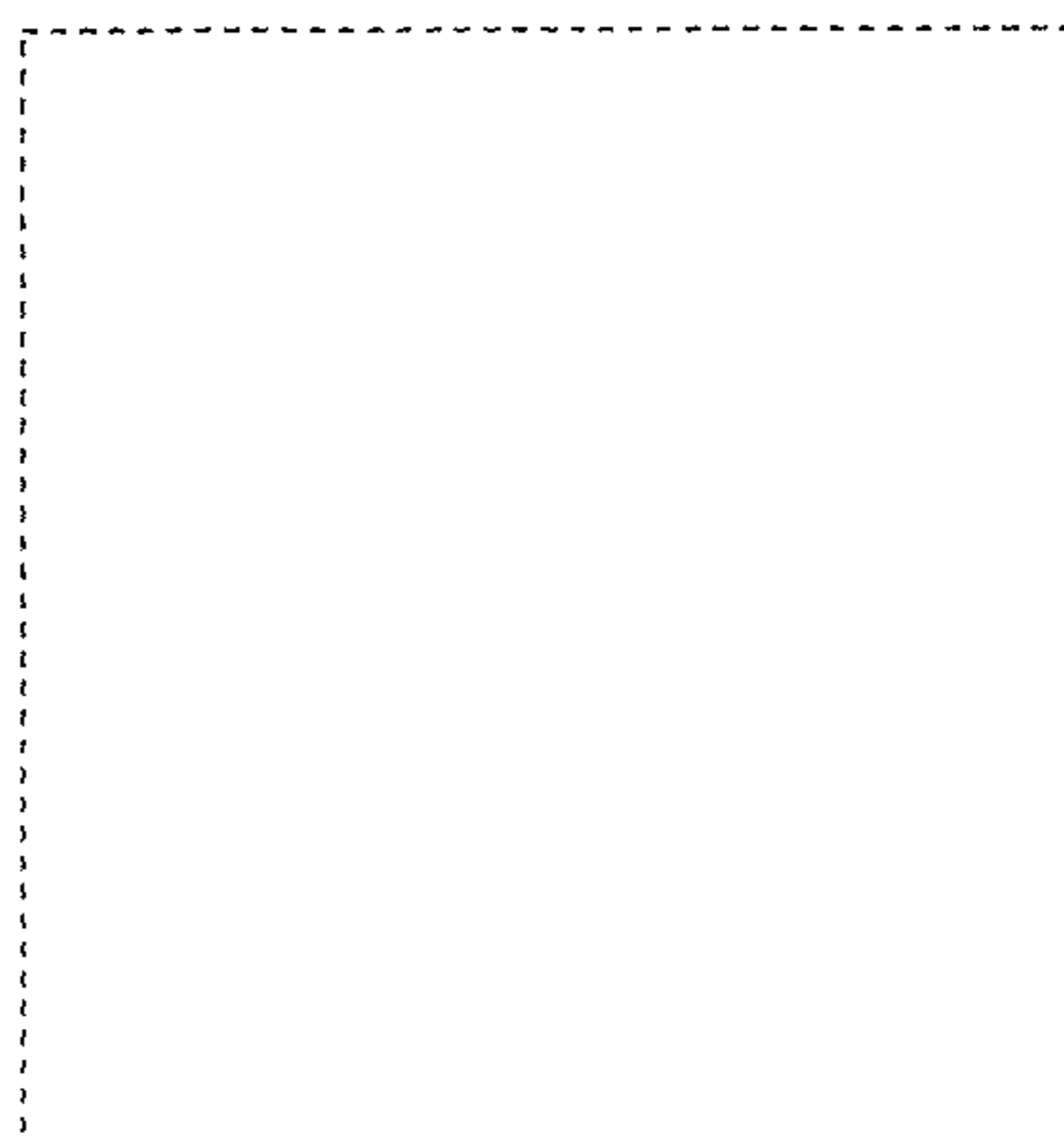


FIG. 14