



US00D795060S

(12) **United States Design Patent** (10) **Patent No.:** **US D795,060 S**
Talios et al. (45) **Date of Patent:** **** Aug. 22, 2017**

- (54) **PRODUCT DISPLAY BOX**
- (71) Applicant: **Dynacraft BSC, Inc.**, American Canyon, CA (US)
- (72) Inventors: **Bill Talios**, Petaluma, CA (US); **John Bisges**, Buford, GA (US); **David Castrucci**, Napa, CA (US)
- (73) Assignee: **DYNACRAFT BSC, INC.**, American Canyon, CA (US)
- (**) Term: **15 Years**
- (21) Appl. No.: **29/566,160**
- (22) Filed: **May 27, 2016**
- (51) **LOC (10) Cl.** **09-03**
- (52) **U.S. Cl.**
USPC **D9/432**
- (58) **Field of Classification Search**
USPC D6/675, 675.1, 675.2, 675.3, 675.4, D6/675.5, 406, 680, 680.1-680.3, 393, D6/382; D9/432, 414, 430, 431, 433
CPC B65D 21/0205; B65D 77/0426; B65D 71/10; B65D 5/00
See application file for complete search history.

- D666,903 S 9/2012 McIntosh et al.
- 8,556,081 B2 10/2013 McIntosh et al.
- 8,596,460 B2 * 12/2013 Scatterday B65D 5/54 206/736
- D700,070 S * 2/2014 Markovic D9/431
- D715,641 S * 10/2014 Spinos D9/432
- 8,910,856 B2 * 12/2014 Sumpmann B65B 69/0033 206/746
- D728,358 S * 5/2015 Belamich D9/420
- 2006/0124710 A1 * 6/2006 Sun B65D 5/2038 229/112
- 2008/0223909 A1 * 9/2008 Gessler B65D 21/0205 229/117.16
- 2011/0049226 A1 * 3/2011 Moreau B65D 5/5445 229/112

* cited by examiner

Primary Examiner — Mark Goodwin
Assistant Examiner — Melvin Davis
(74) *Attorney, Agent, or Firm* — Michael Best & Friedrich LLP

(57) **CLAIM**

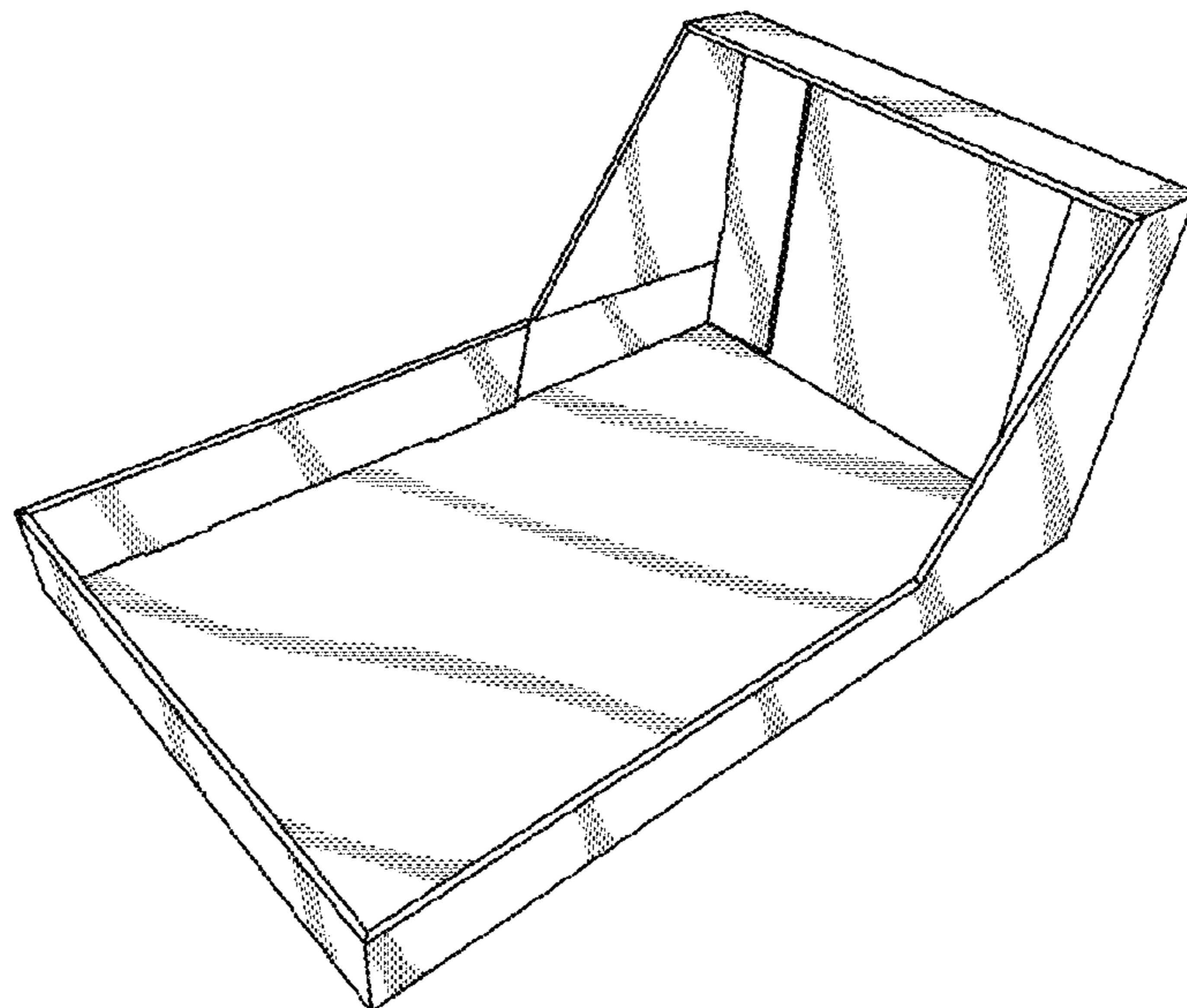
We claim the ornamental design for a product display box, as shown and described.

DESCRIPTION

FIG. 1 is a perspective view of a product display box. FIG. 2 is a front elevation view of the product display box shown in FIG. 1. FIG. 3 is a rear elevation view of the product display box shown in FIG. 1. FIG. 4 is a left side elevation view of the product display box shown in FIG. 1, the side opposite being a mirror image. FIG. 5 is a top plan view of the product display box shown in FIG. 1; and, FIG. 6 is a bottom plan view of the product display box shown in FIG. 1.

1 Claim, 1 Drawing Sheet

- (56) **References Cited**
U.S. PATENT DOCUMENTS
- 2,844,295 A * 7/1958 Williams B65D 5/0095 206/326
- D244,430 S * 5/1977 Larkin D9/432
- D406,478 S * 3/1999 Rahman D6/683
- 6,409,077 B1 * 6/2002 Telesca B65D 5/5007 206/45.29
- D542,647 S * 5/2007 Walter D9/414
- D617,506 S * 6/2010 Platt D30/108
- D629,684 S * 12/2010 Drury D9/433
- D657,972 S * 4/2012 Cressman D6/393



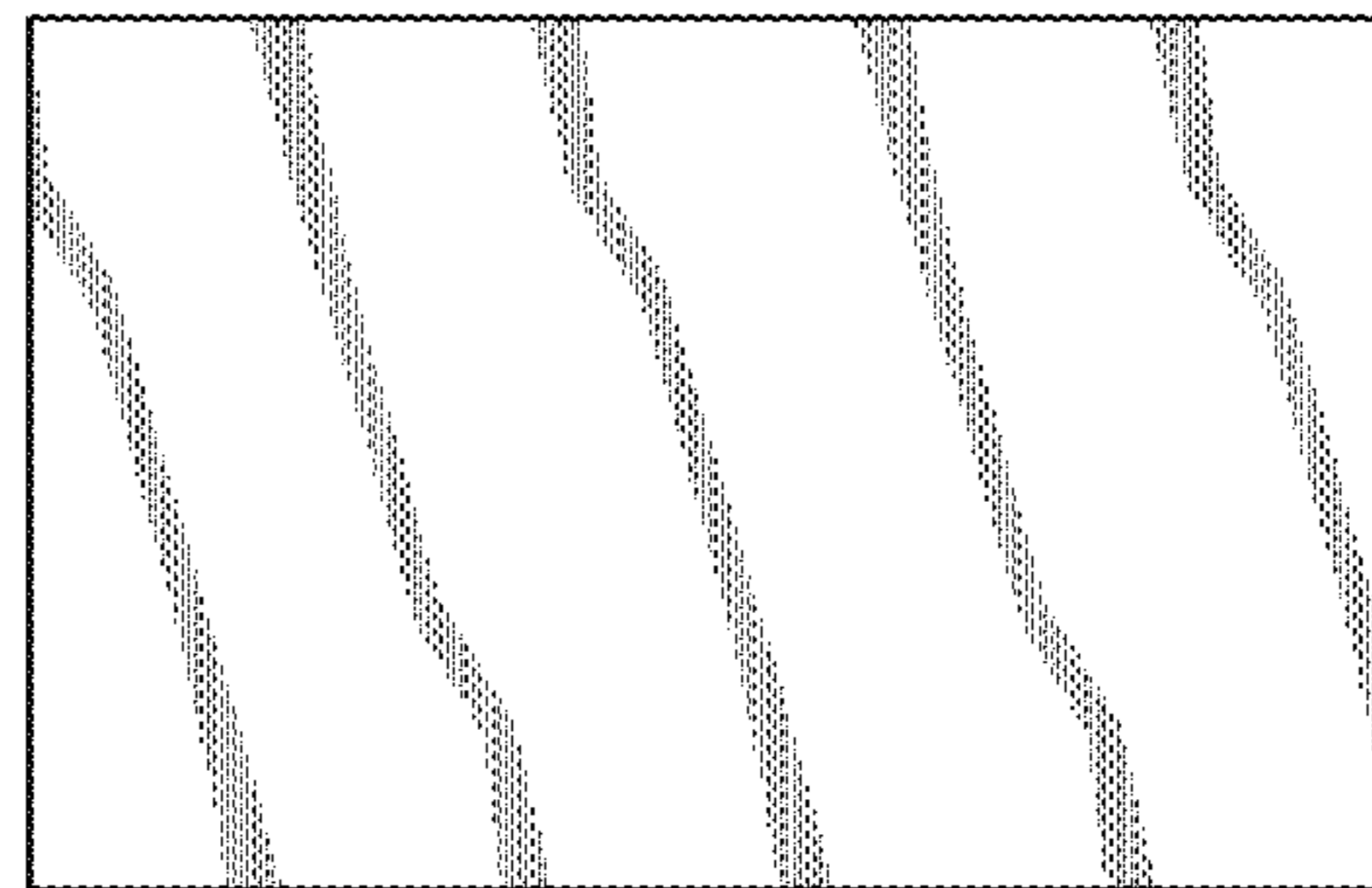
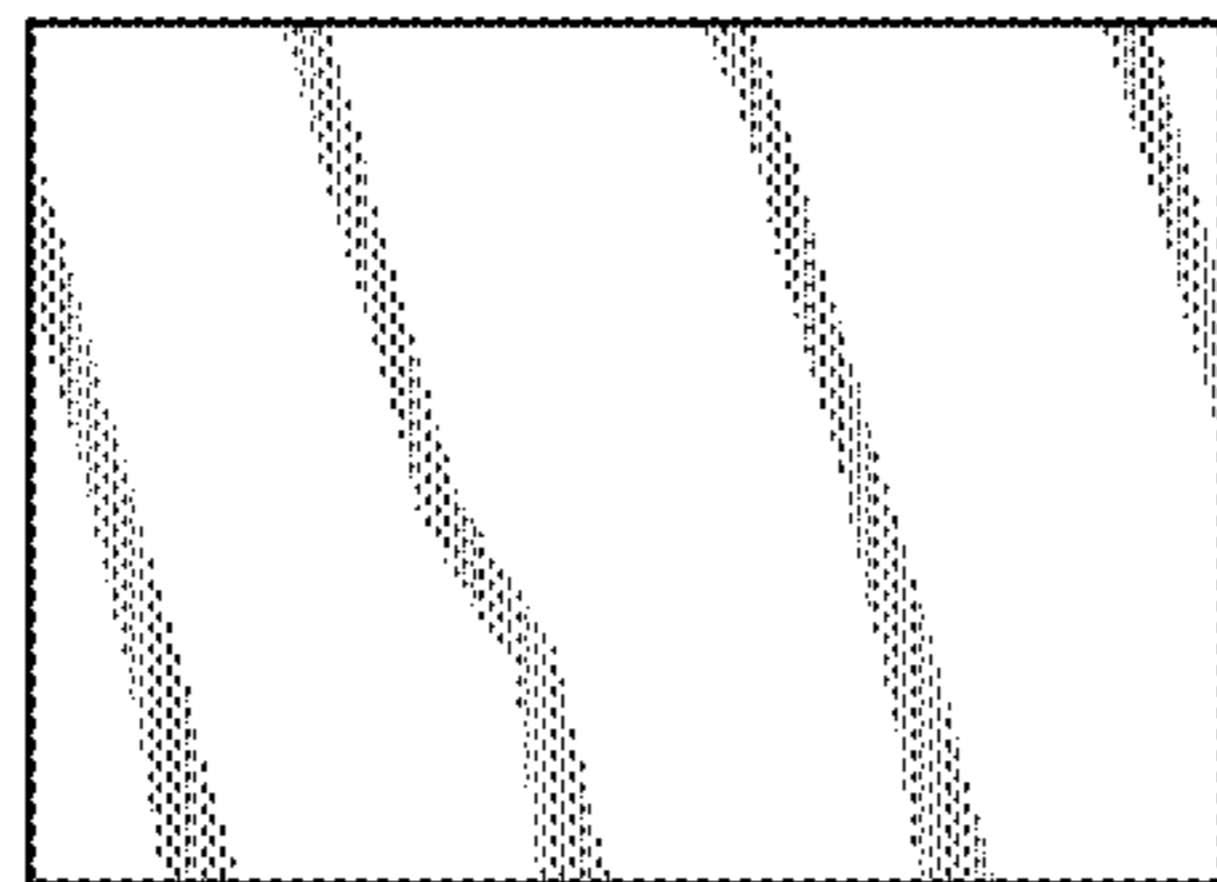
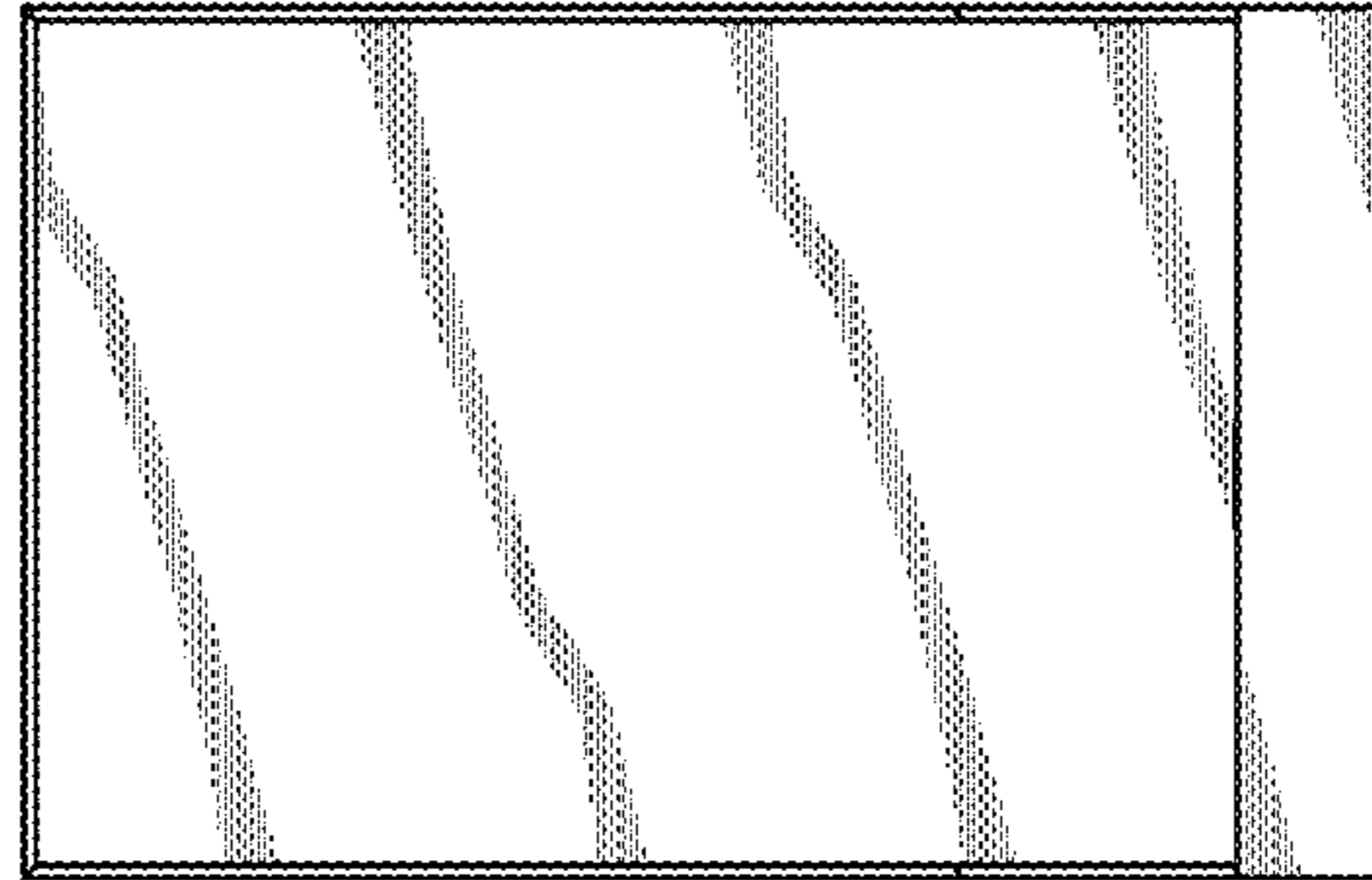
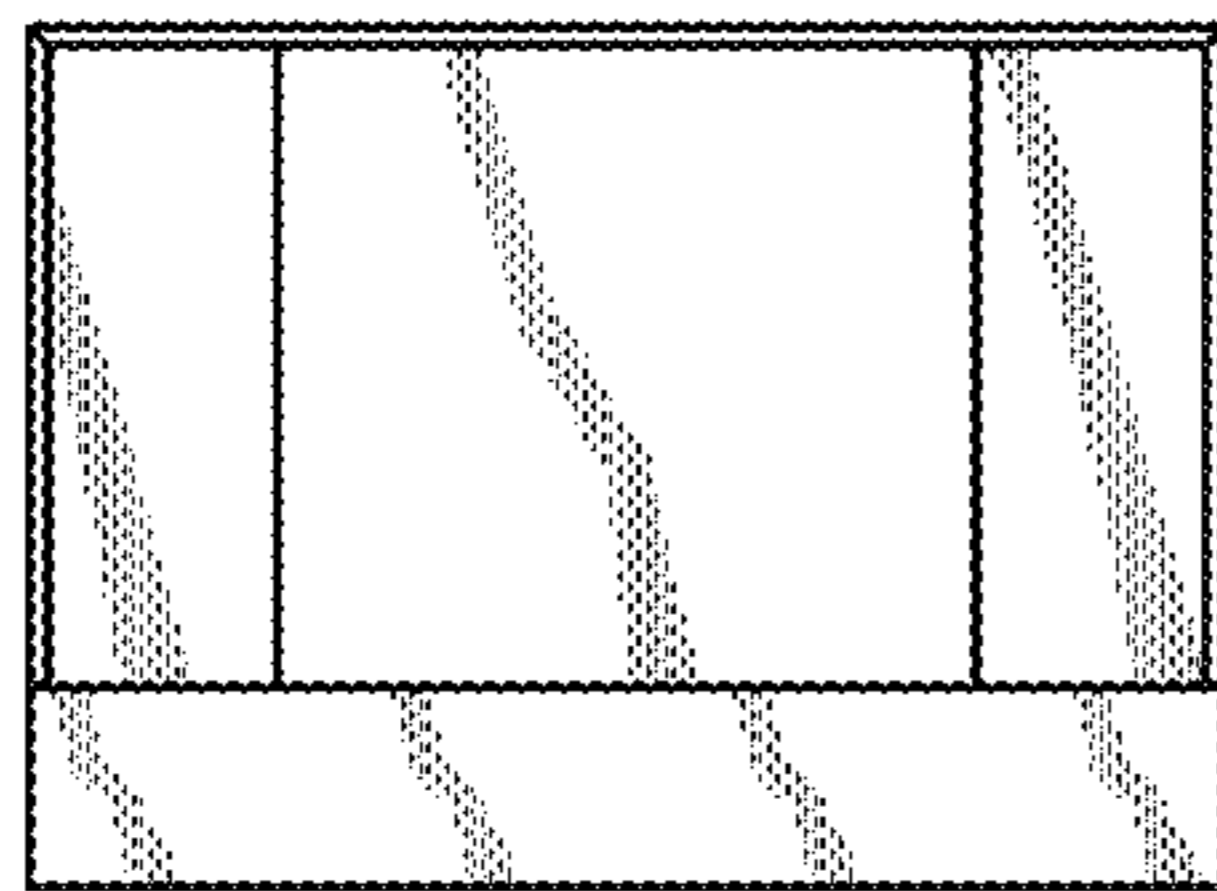
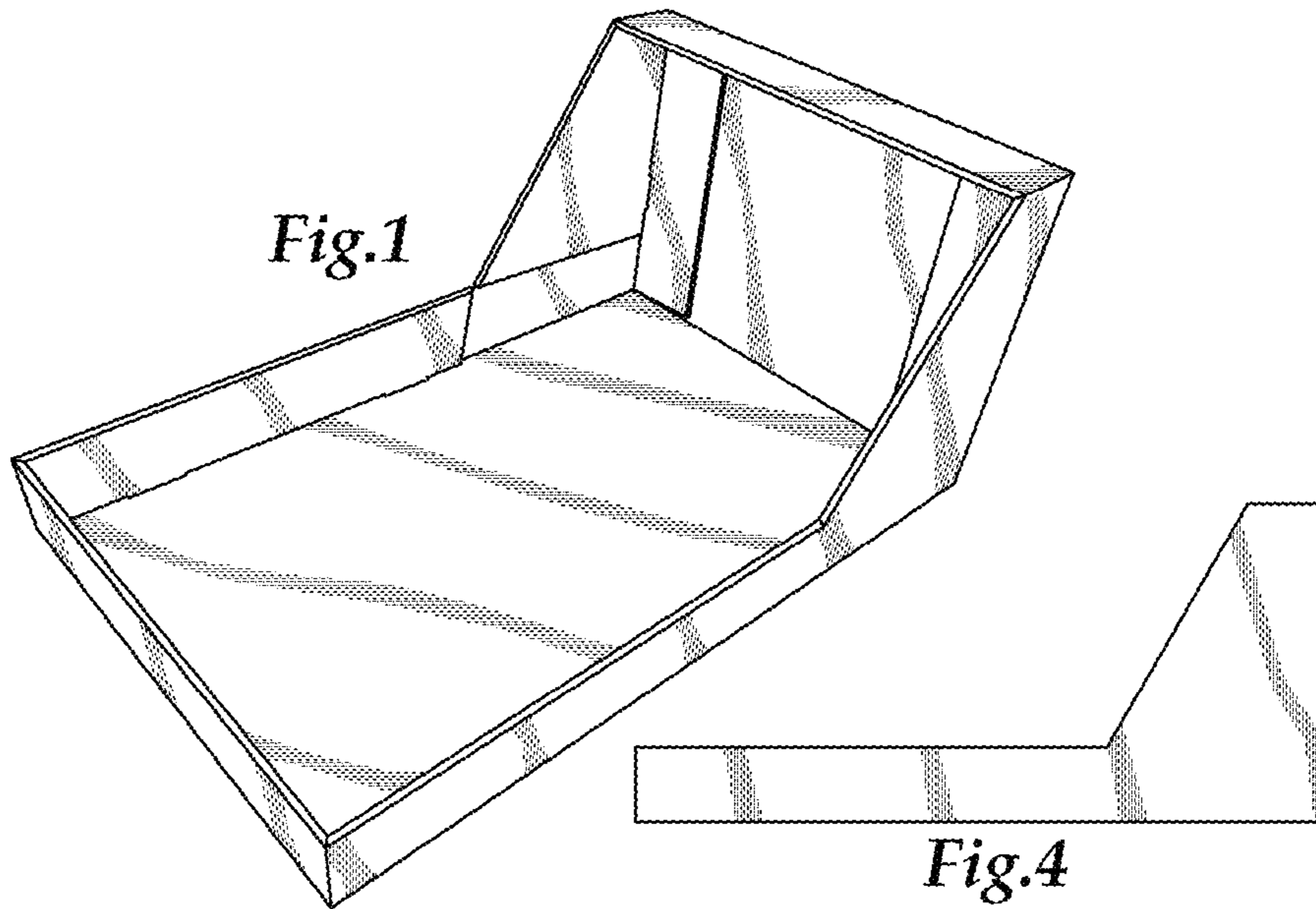


Fig. 3

Fig. 6