



US00D795059S

(12) **United States Design Patent** (10) **Patent No.:** **US D795,059 S**  
**Buck** (45) **Date of Patent:** **\*\* Aug. 22, 2017**

(54) **FOOD CONTAINER**

(71) Applicant: **Ronald Mark Buck**, Encinitas, CA (US)

(72) Inventor: **Ronald Mark Buck**, Encinitas, CA (US)

(73) Assignee: **SNACKTOPS, INC.**, Carlsbad, CA (US)

(\*\*) Term: **15 Years**

(21) Appl. No.: **29/542,061**

(22) Filed: **Oct. 9, 2015**

(51) **LOC (10) Cl.** ..... **09-03**

(52) **U.S. Cl.**  
USPC ..... **D9/428**

(58) **Field of Classification Search**  
USPC ..... D7/538-545, 602, 608, 629; D9/396.1, D9/414, 420, 424-429, 432, 761; 206/501-509; 220/781, 791, 793, 220/811-813, 835, 839  
CPC ... B65D 1/24; B65D 1/26; B65D 1/34; B65D 1/36; B65D 1/40; B65D 1/0223; B65D 25/04; B65D 43/03; B65D 43/16; B65D 43/0212

See application file for complete search history.

(56) **References Cited**

**U.S. PATENT DOCUMENTS**

D335,085 S *	4/1993	Wacker	.....	D7/538
D344,660 S *	3/1994	Krupa	.....	D7/539
D362,594 S *	9/1995	McEntee	.....	D7/538
D364,090 S *	11/1995	Krupa	.....	D9/423
6,196,406 B1 *	3/2001	Ennis	.....	B65D 71/02 206/501
D475,893 S *	6/2003	Hottenroth	.....	D7/538
D479,441 S *	9/2003	Whitworth	.....	D7/629
D528,908 S *	9/2006	Faktorovich	.....	D9/424
D545,627 S *	7/2007	Chatterton	.....	D7/538
D556,569 S *	12/2007	Stein	.....	D9/424

D620,256 S *	7/2010	Fujimura	.....	D3/294
D640,095 S *	6/2011	Dettloff	.....	D7/396.2
2009/0057381 A1 *	3/2009	Gokhale	.....	B65D 1/26 229/104

\* cited by examiner

*Primary Examiner* — Ian Simmons

*Assistant Examiner* — Janice Lim

(74) *Attorney, Agent, or Firm* — Manuel de la Cerra

(57) **CLAIM**

I claim, the ornamental design for a food container, as shown and described.

**DESCRIPTION**

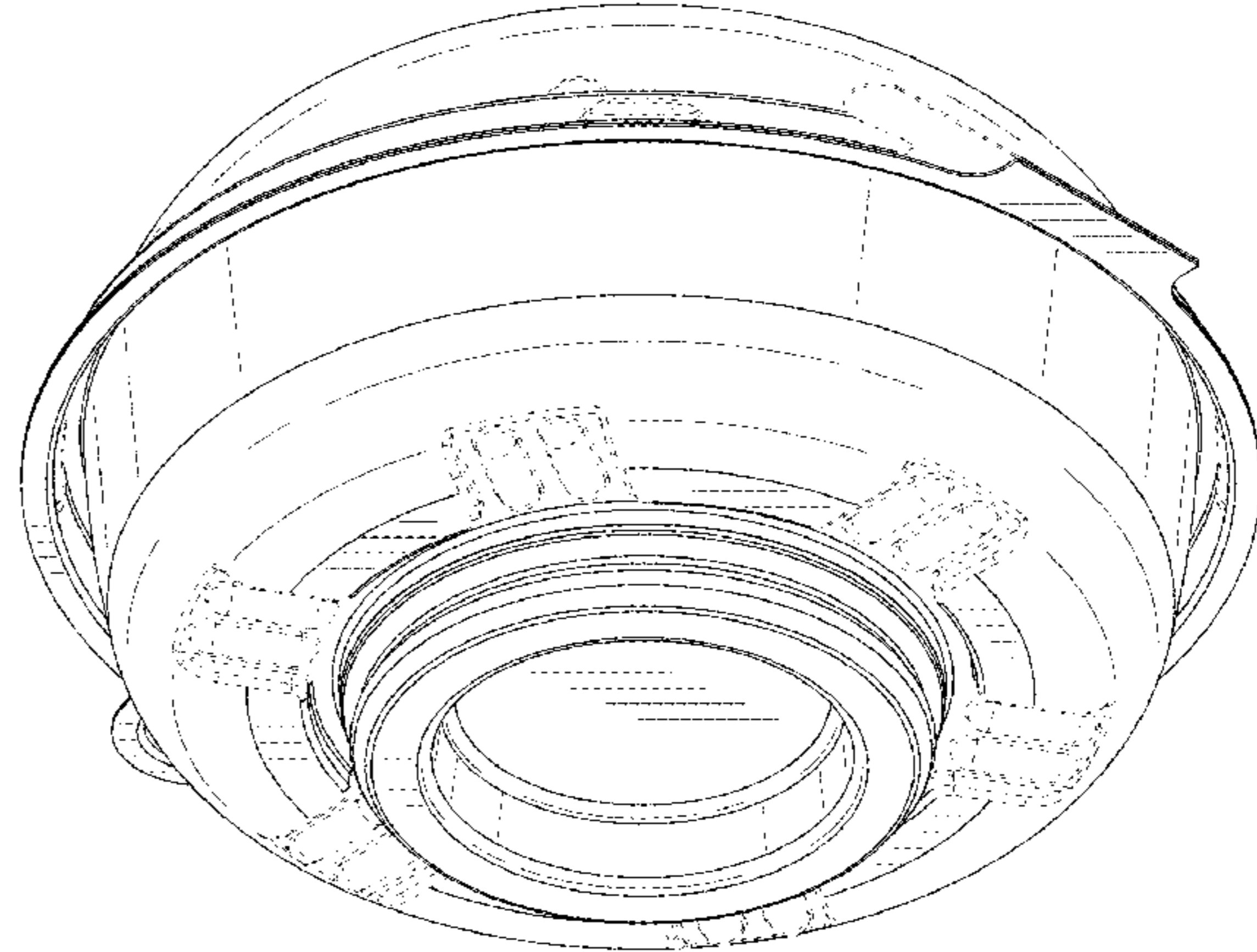
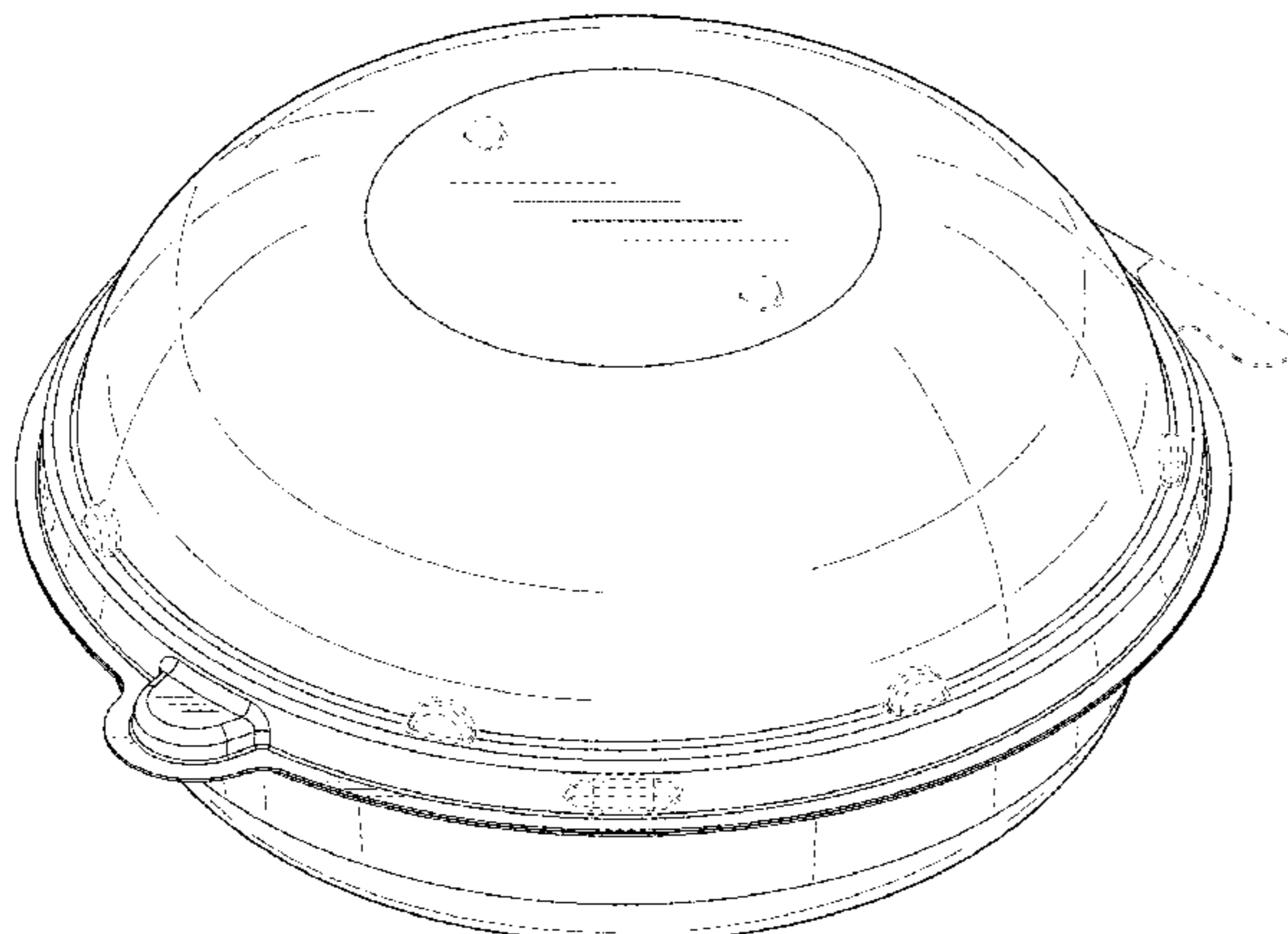
FIG. 1 is a top perspective view of a food container. FIG. 2 is a bottom perspective view thereof. FIG. 3 is a top perspective view thereof, attached to a beverage container. FIG. 4 is a bottom perspective view thereof, attached to a beverage container. FIG. 5 is a top perspective view thereof, detached from a beverage container. FIG. 6 is a bottom perspective view thereof, detached from a beverage container. FIG. 7 is a top view thereof. FIG. 8 is a bottom view thereof. FIG. 9 is a front view thereof. FIG. 10 is a rear view thereof. FIG. 11 is a left side view thereof; and, FIG. 12 is a right side view thereof.

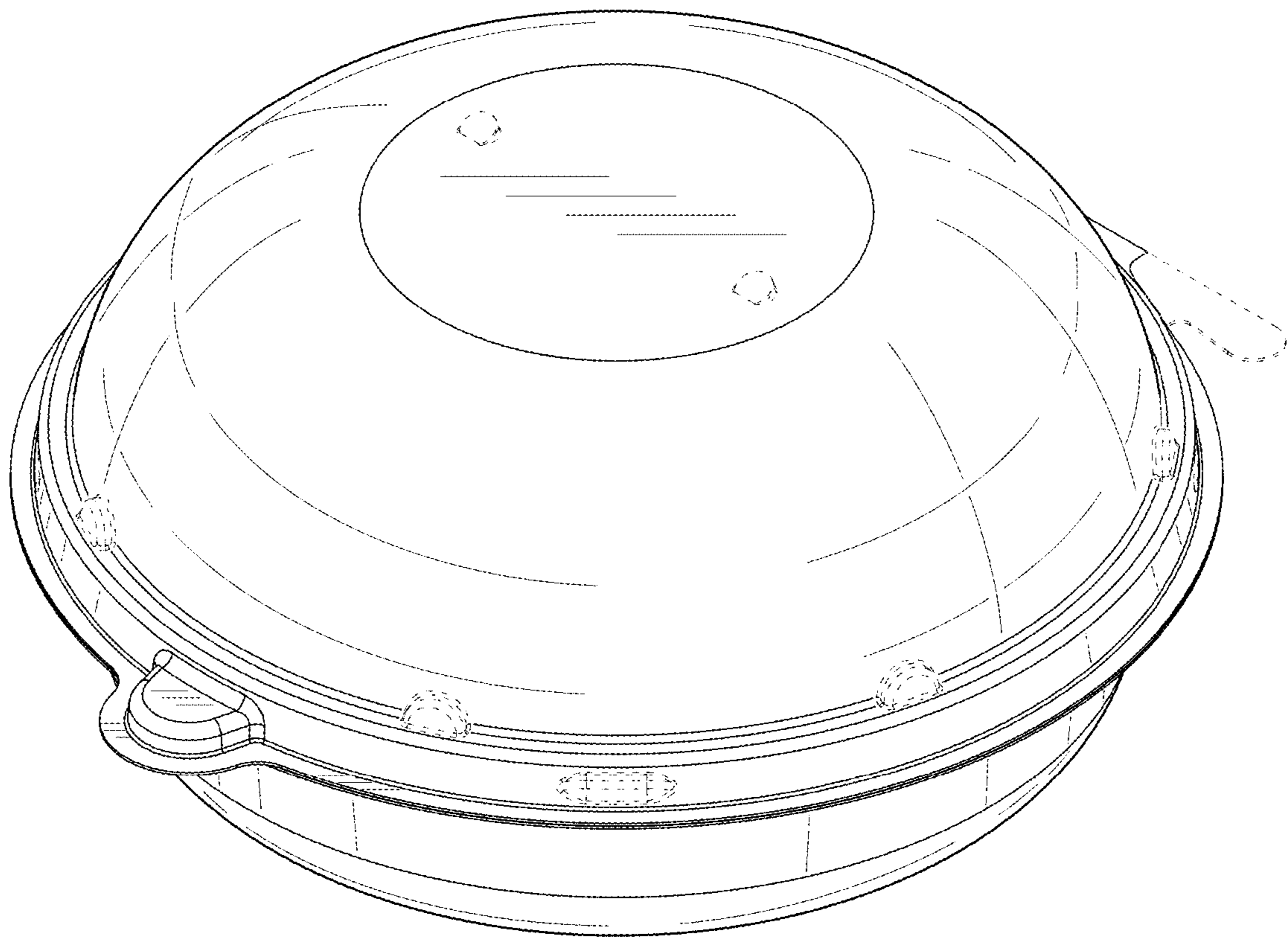
The broken lines on the food container in the figures illustrate the portions of the design that form no part of the claimed design.

The broken lines showing the beverage container in the figures illustrate environmental subject matter that form no part of the claimed design.

None of the broken lines form any part of the claimed design.

**1 Claim, 8 Drawing Sheets**





*FIG. 1*

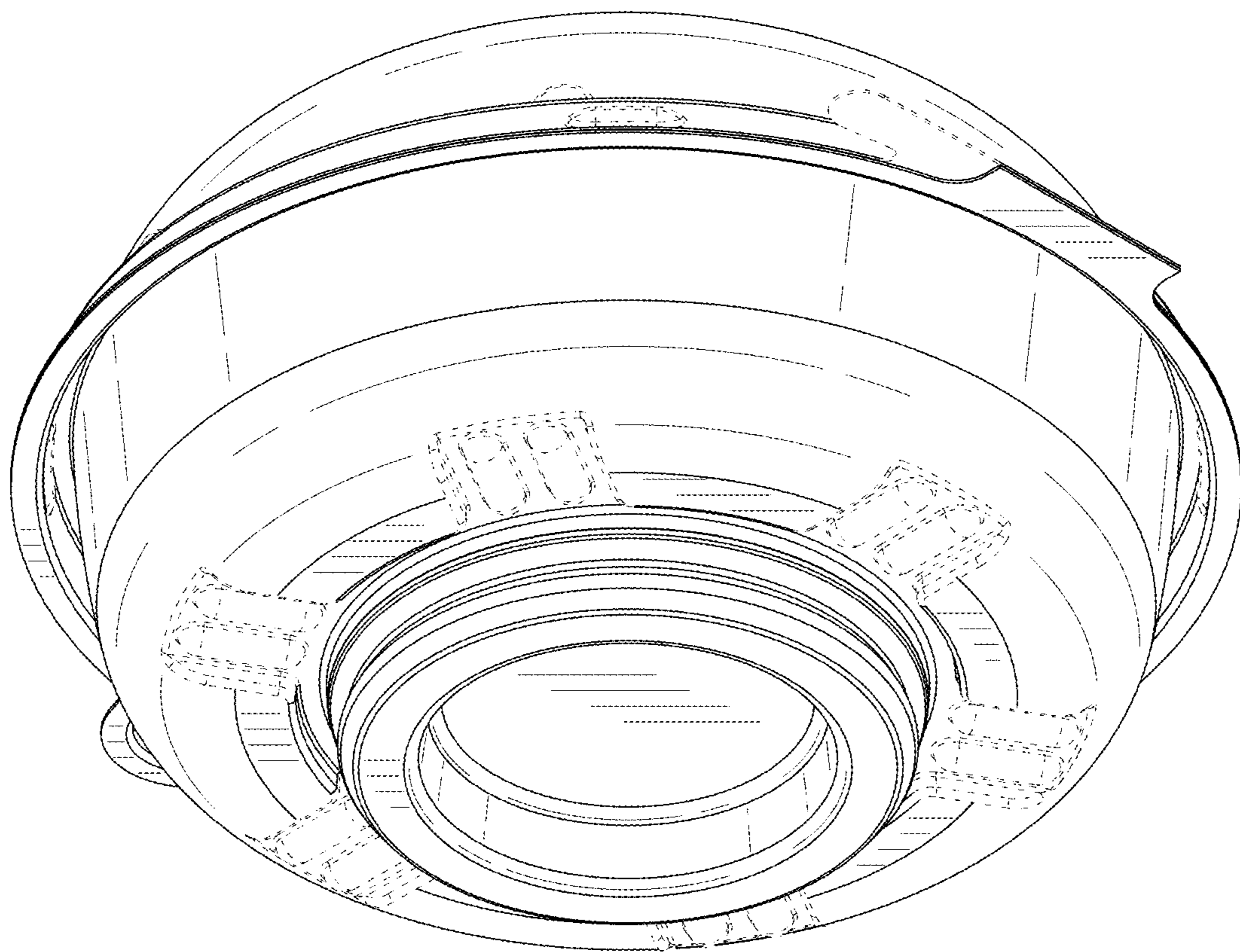


FIG. 2

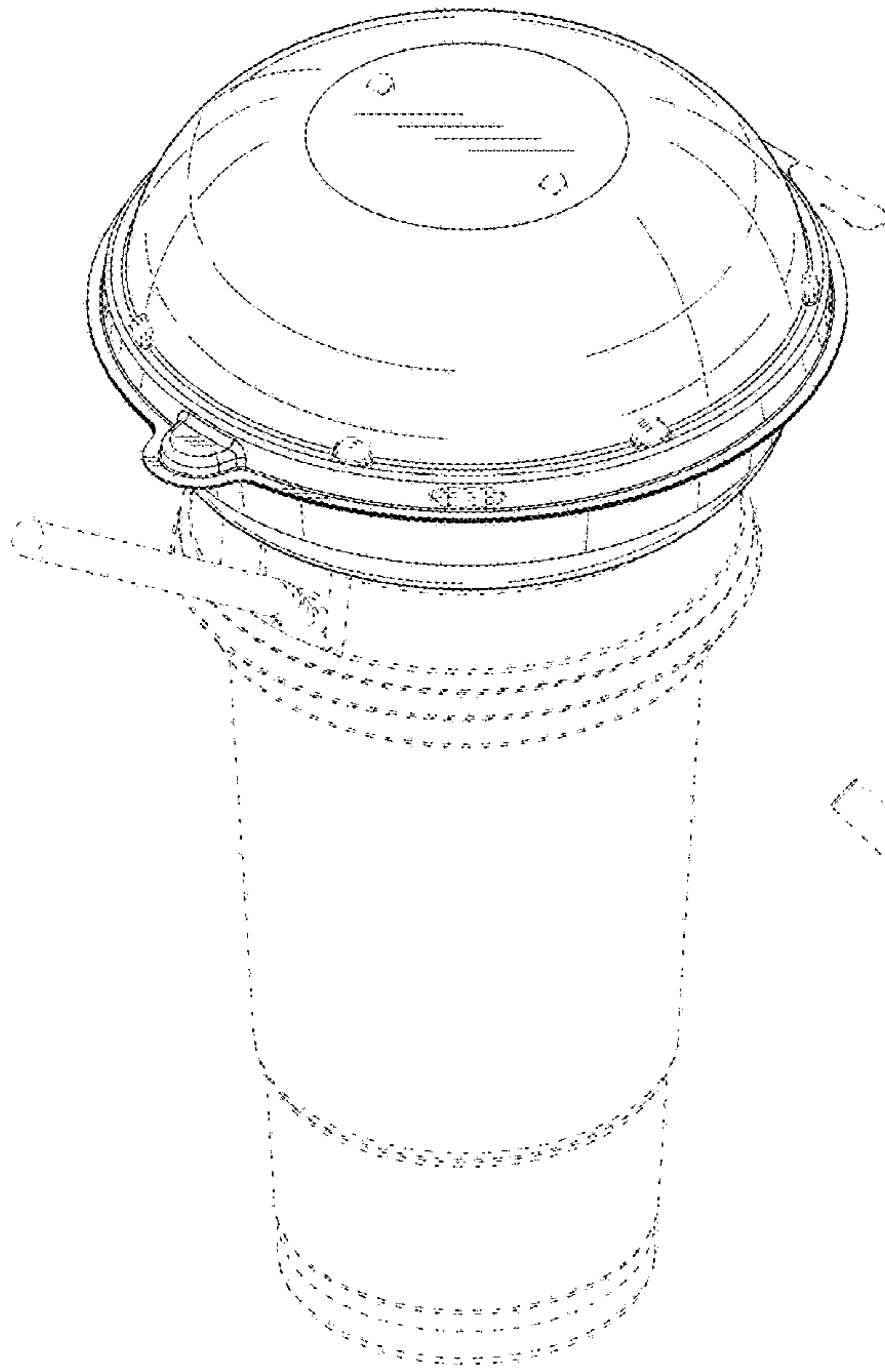


FIG. 3

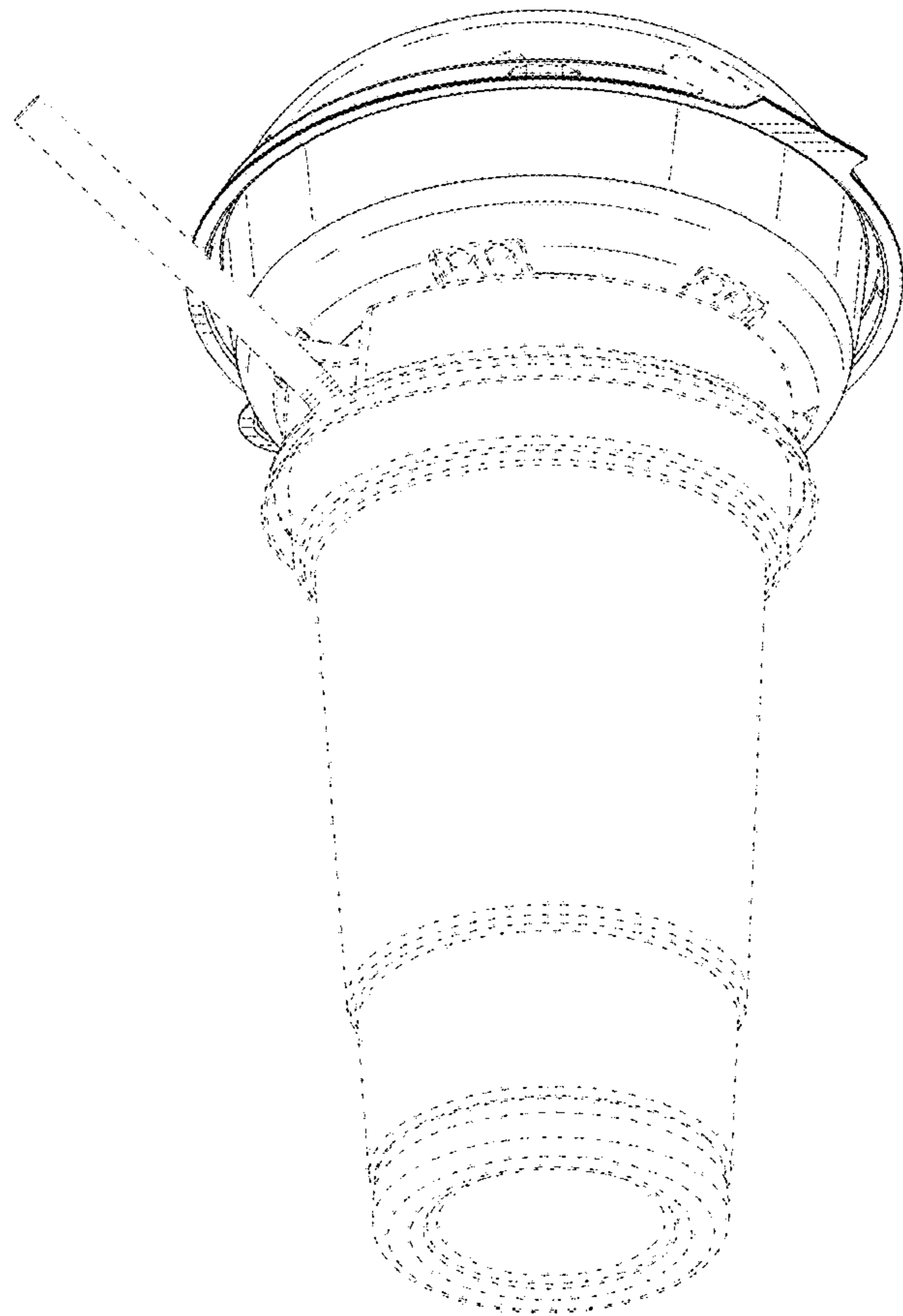


FIG. 4

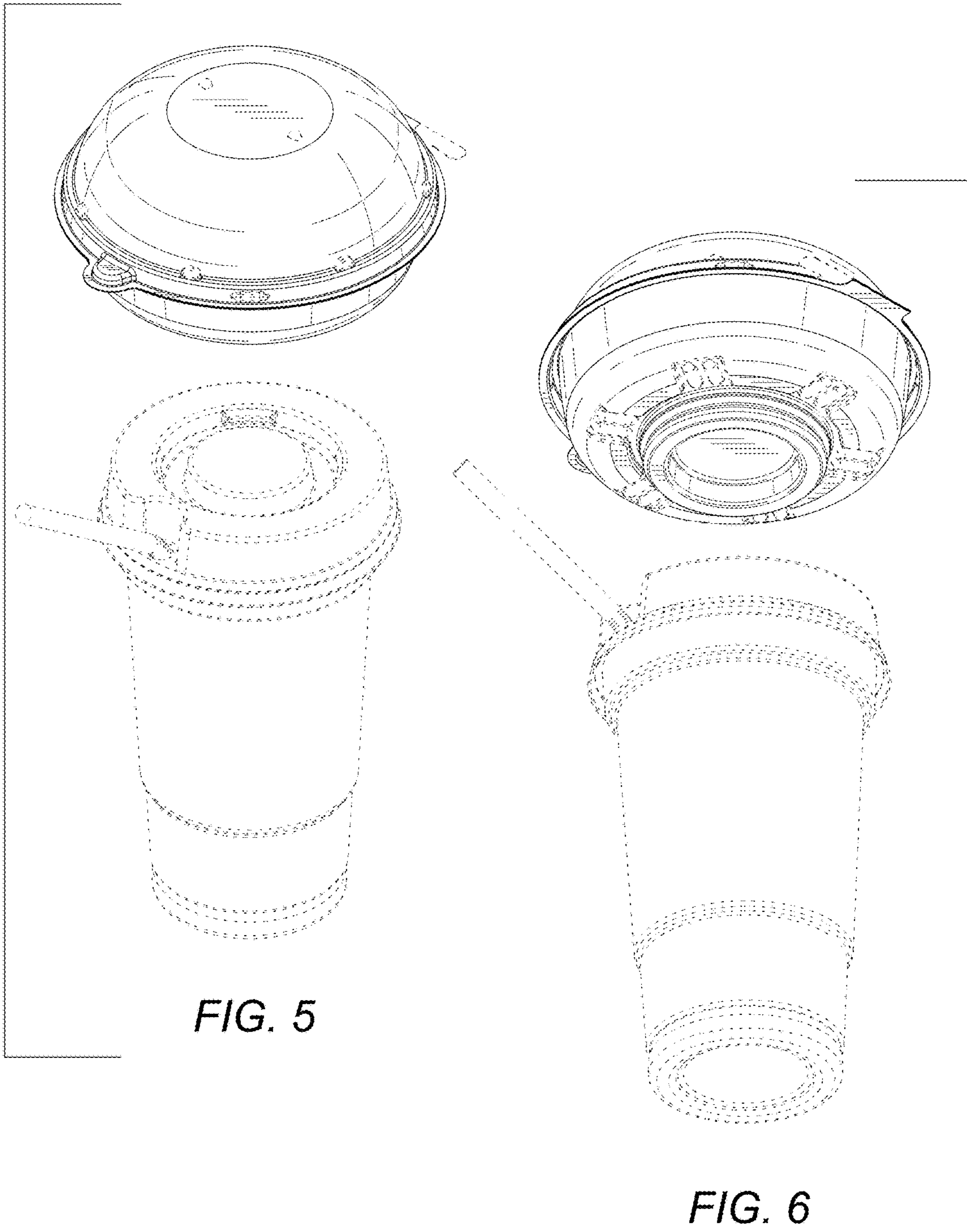


FIG. 5

FIG. 6

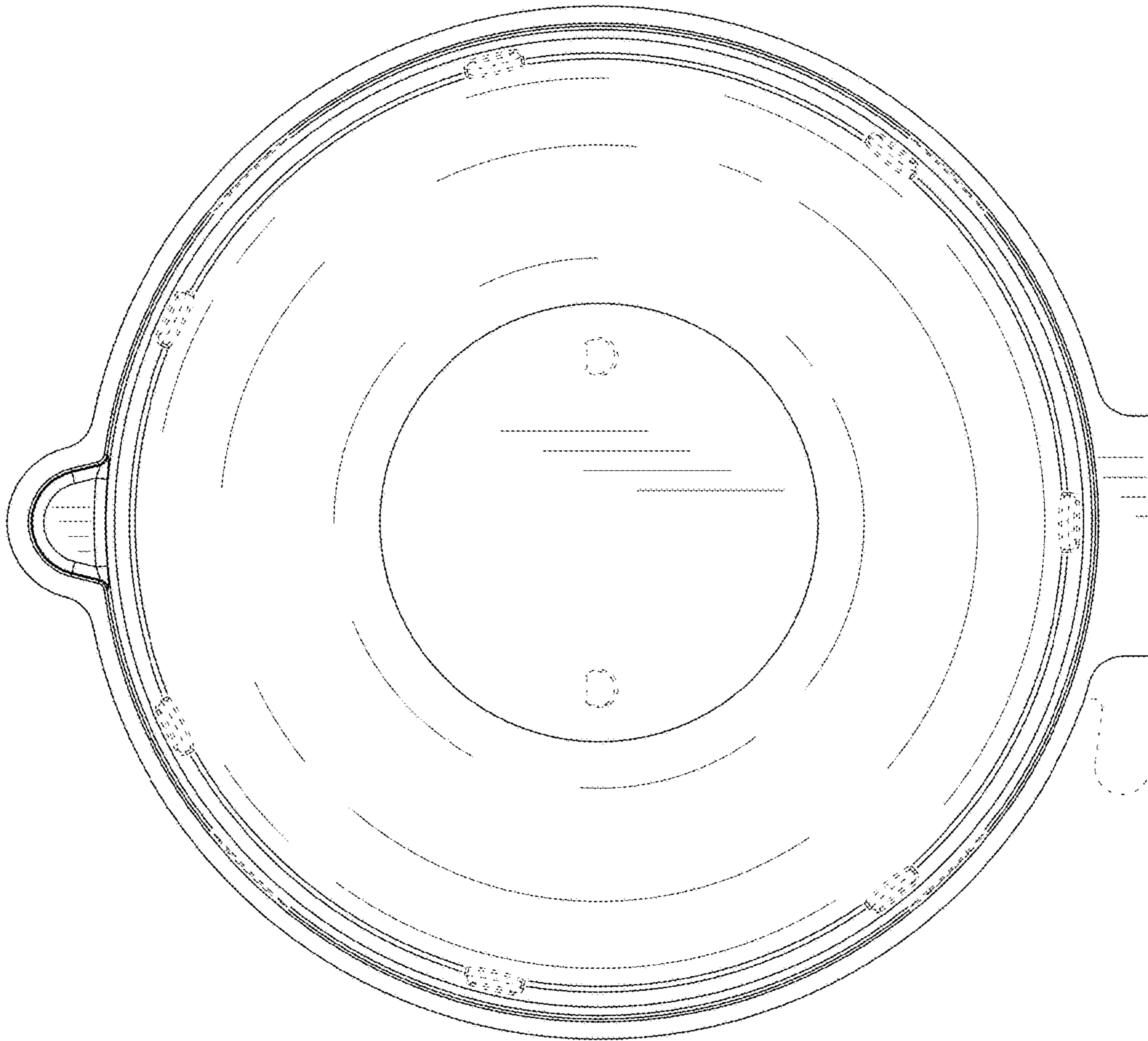


FIG. 7

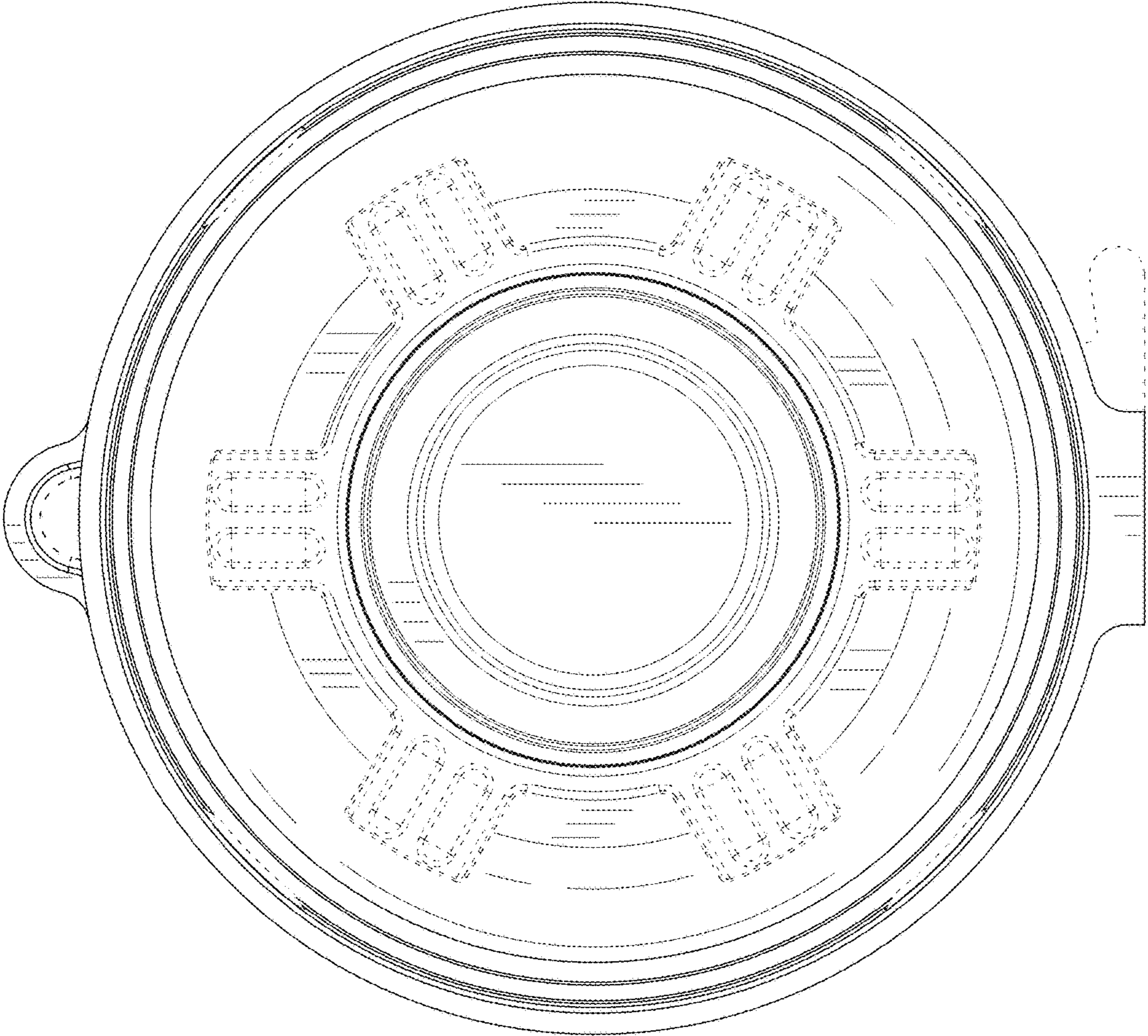


FIG. 8

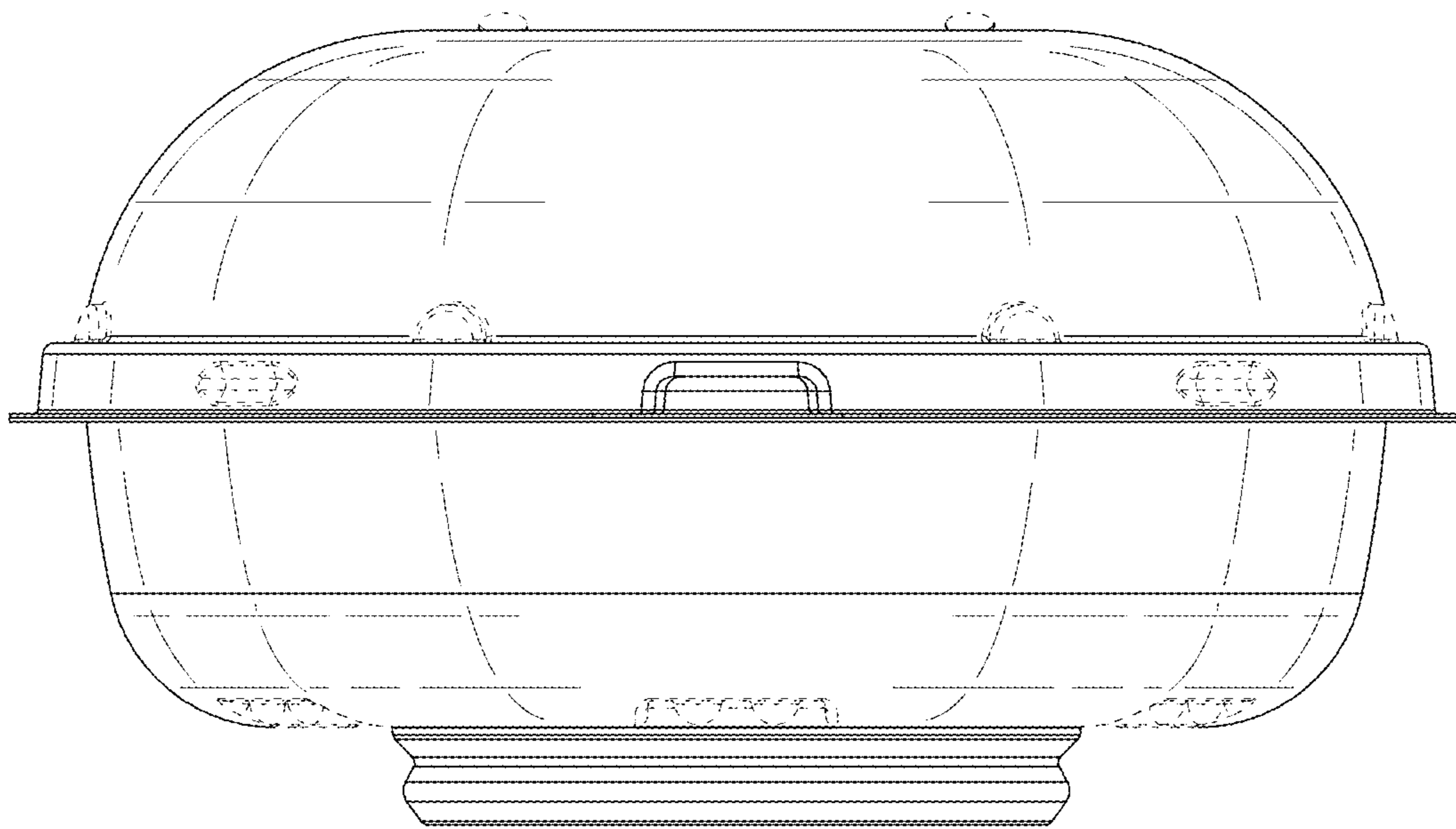


FIG. 9

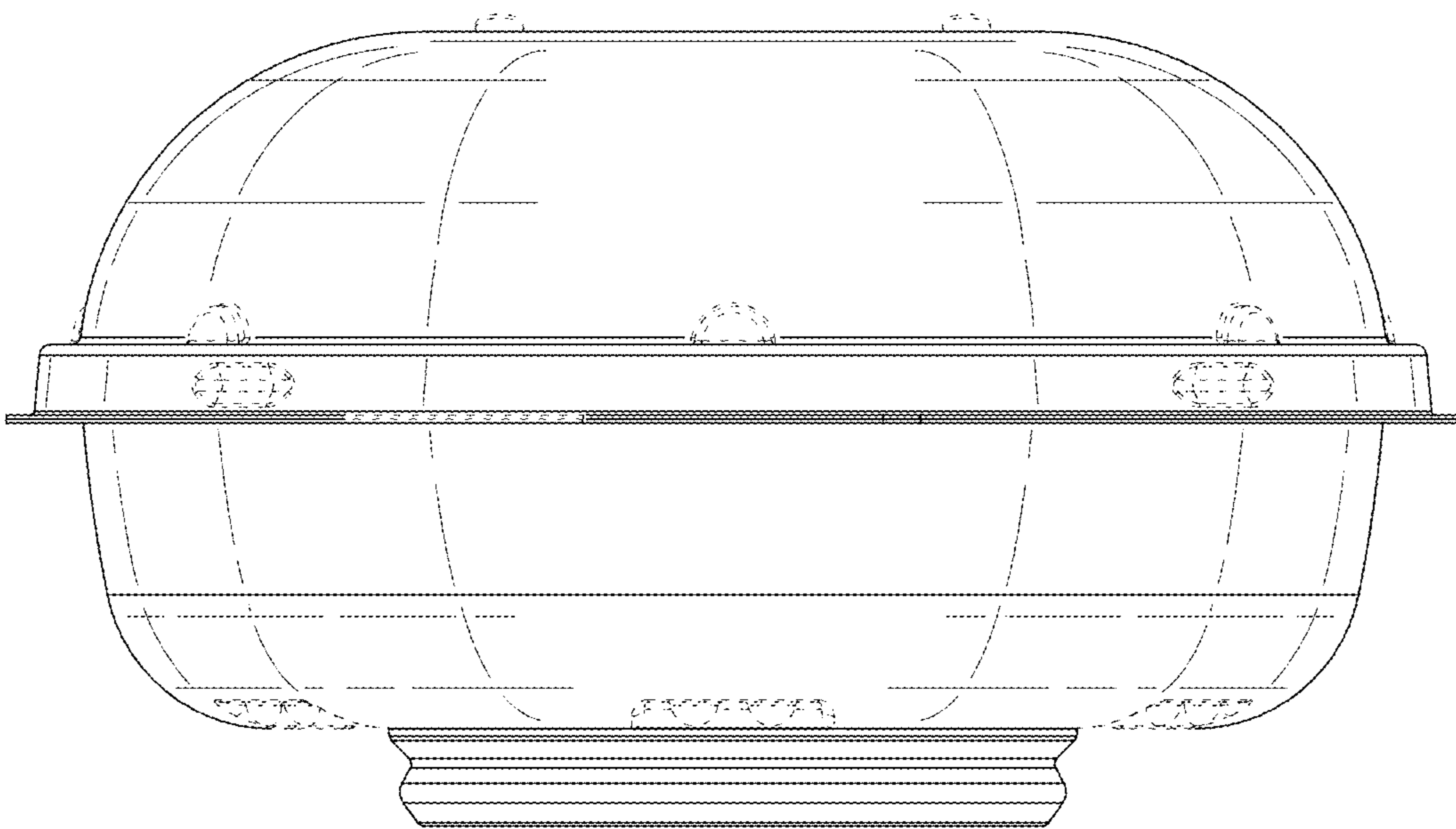


FIG. 10



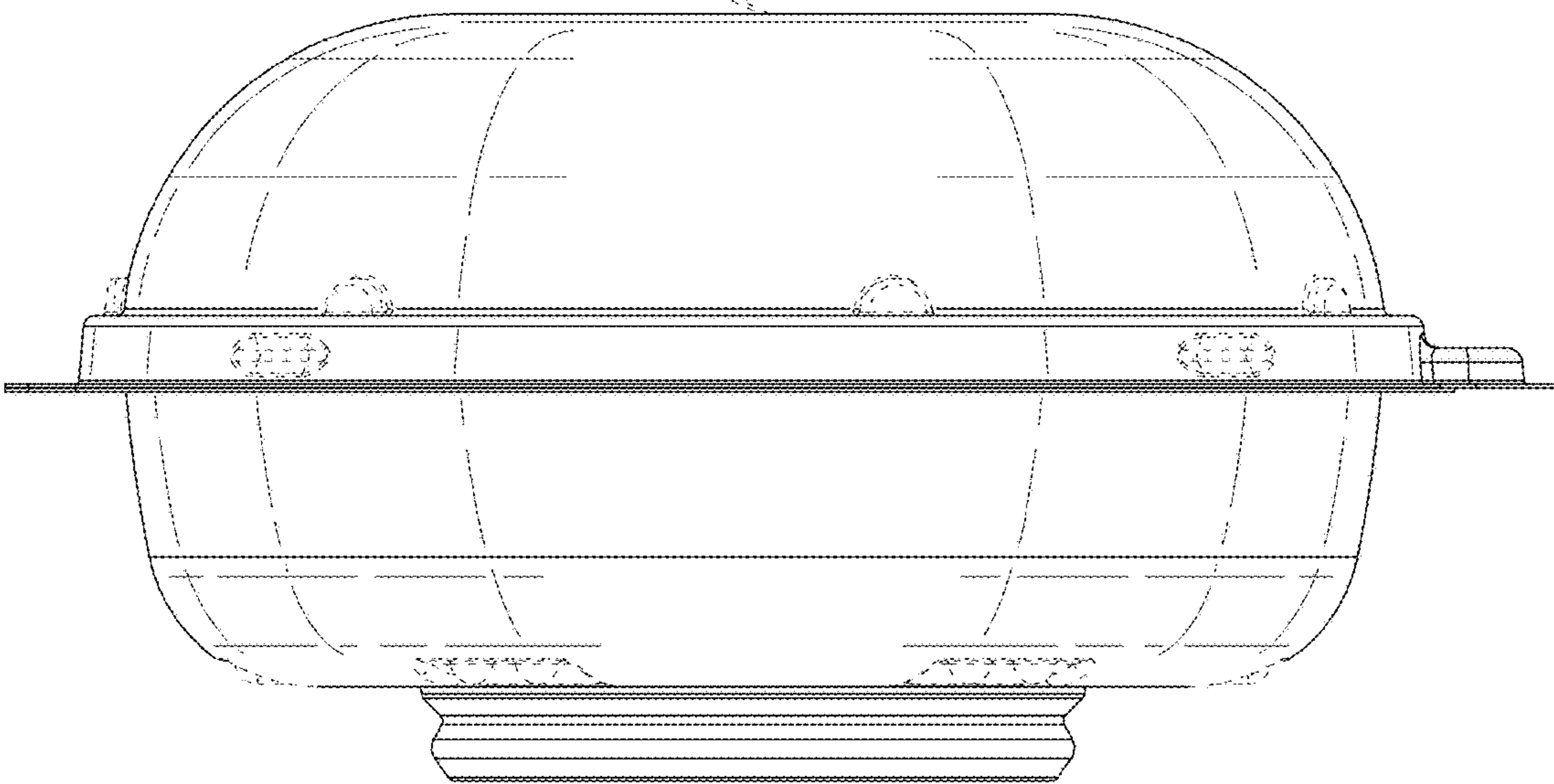


FIG. 11

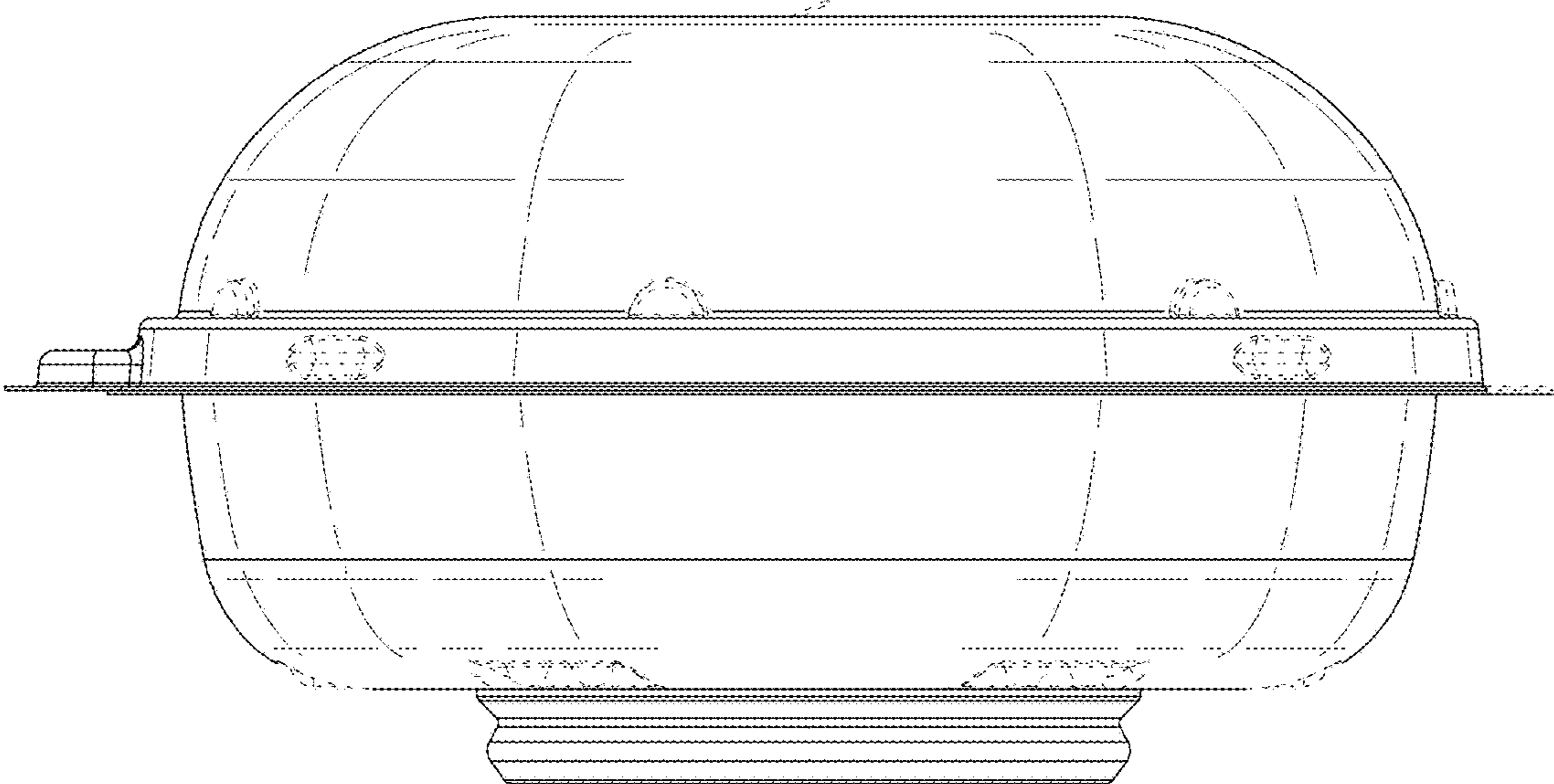


FIG. 12