



US00D795055S

(12) **United States Design Patent** (10) **Patent No.:** **US D795,055 S**
Dorfman (45) **Date of Patent:** **** Aug. 22, 2017**

(54) **SPIN TOP TOY PACKAGE**
(71) Applicant: **Alan Dorfman**, Bristol, PA (US)
(72) Inventor: **Alan Dorfman**, Bristol, PA (US)
(**) Term: **15 Years**
(21) Appl. No.: **29/620,094**
(22) Filed: **Jun. 30, 2016**
(51) **LOC (10) Cl.** **09-03**
(52) **U.S. Cl.**
USPC **D9/418**
(58) **Field of Classification Search**
USPC D9/418, 416, 414, 426, 415, 432, 757,
D9/425, 668, 423; D7/539; D6/520;
D14/204; 426/130; 206/541
CPC .. B65D 1/30; B65D 1/26; A47F 5/112; B65H
55/046
See application file for complete search history.

D541,145 S * 4/2007 Copp B65H 55/046
D9/415
D567,212 S * 4/2008 Prince D14/204
D567,214 S * 4/2008 Fynboe D14/204
D628,475 S * 12/2010 Snedden D9/426
D639,609 S * 6/2011 Piacenza D7/539
D646,963 S * 10/2011 Kalil D9/415
D689,766 S * 9/2013 Oppenheim D9/415
D700,836 S * 3/2014 Lai D9/415
D731,308 S * 6/2015 Tussy D9/432
D739,767 S * 9/2015 Schleining D9/757
D764,274 S * 8/2016 Arinsmier D9/425
D764,275 S * 8/2016 Joergensen D9/425
D778,156 S * 2/2017 Follett D9/432
D779,963 S * 2/2017 Fedorivna D9/668

* cited by examiner

Primary Examiner — Rhea Shields

(57) **CLAIM**

The ornamental design for a spin top toy package, as shown and described.

DESCRIPTION

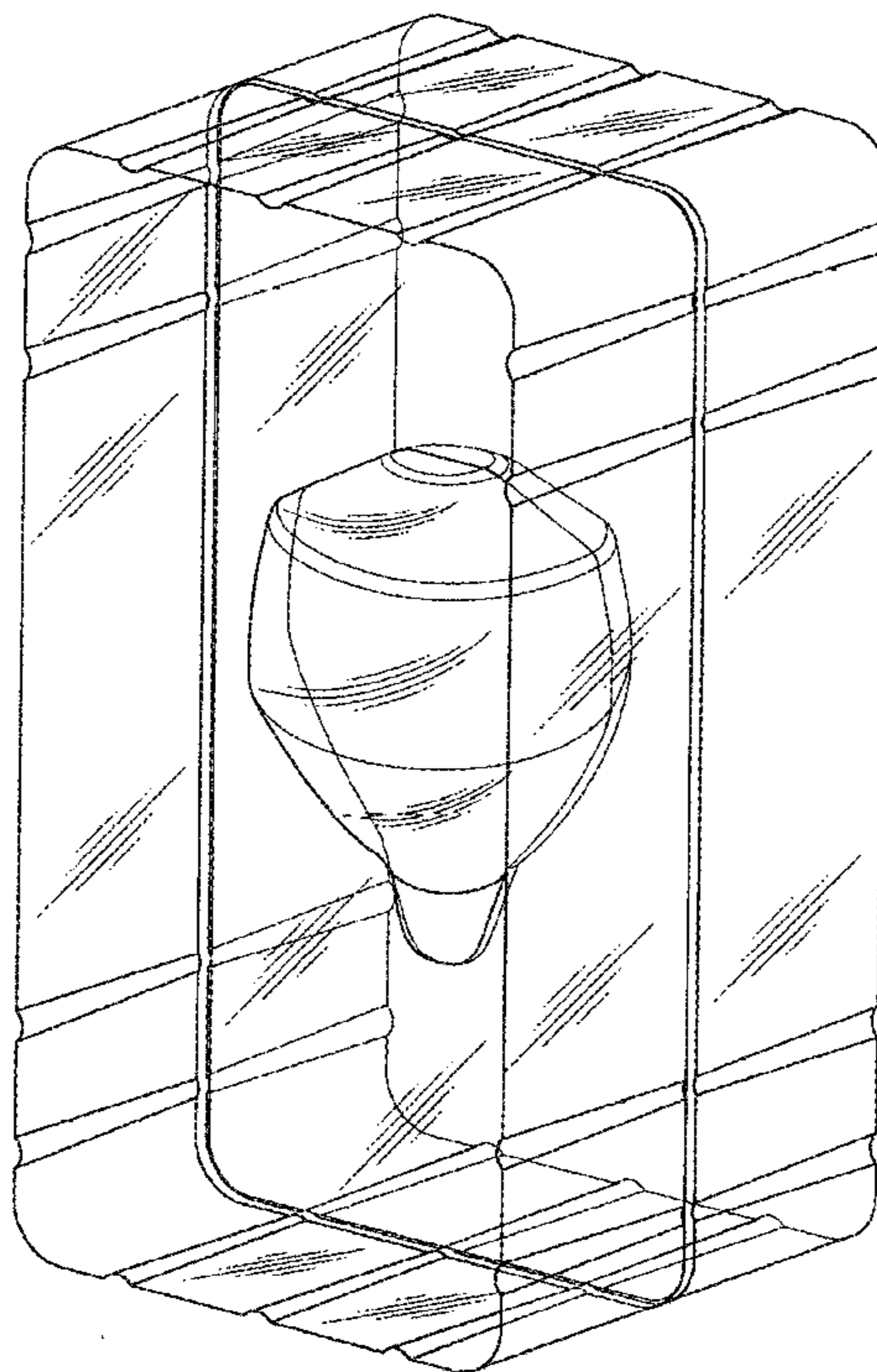
FIG. 1 is a perspective view of a spin top toy package with the outer box removed; showing my new design;
FIG. 2 is a view; the rear view being a mirror image thereof;
FIG. 3 is a side view thereof;
FIG. 4 is a top view thereof;
FIG. 5 is a bottom view thereof;
FIG. 6 is perspective view of the outer box; and,
FIG. 7 is a perspective view of the spin top toy package with the outer box in an open state and the interior portion partially removed.

1 Claim, 7 Drawing Sheets

(56) **References Cited**

U.S. PATENT DOCUMENTS

D276,590 S * 12/1984 Lobel D9/426
D290,812 S * 7/1987 Voges D9/426
D333,613 S * 3/1993 Theros D9/415
D365,753 S * 1/1996 Sibbio D9/415
D383,386 S * 9/1997 Loubach D9/415
D386,078 S * 11/1997 Harper D9/415
D403,575 S * 1/1999 Milliorn D6/520
D406,233 S * 3/1999 Kaplan D9/423
D411,448 S * 6/1999 Baker D9/415
D411,798 S * 7/1999 Suzuki D9/415



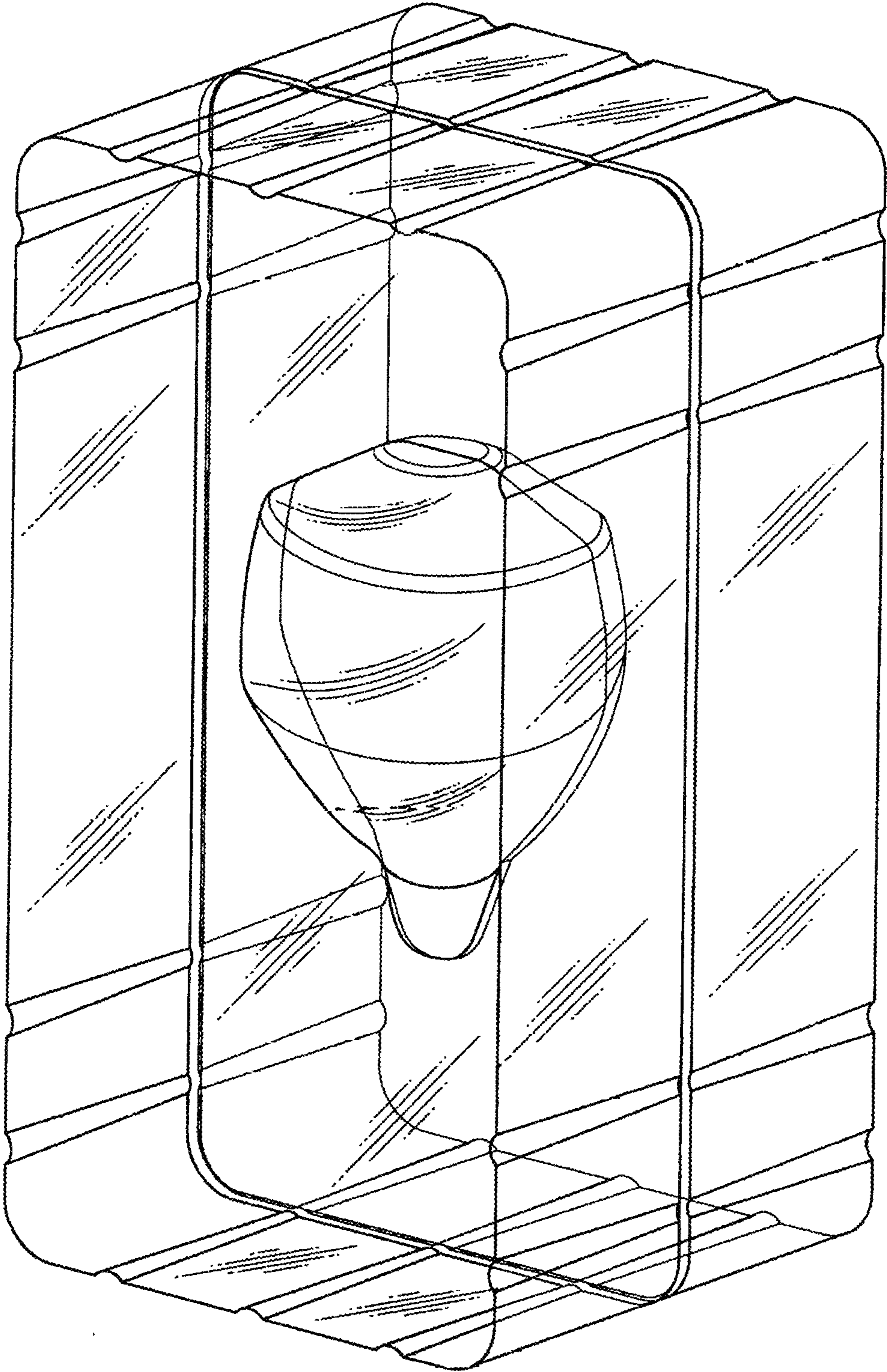


FIG. 1

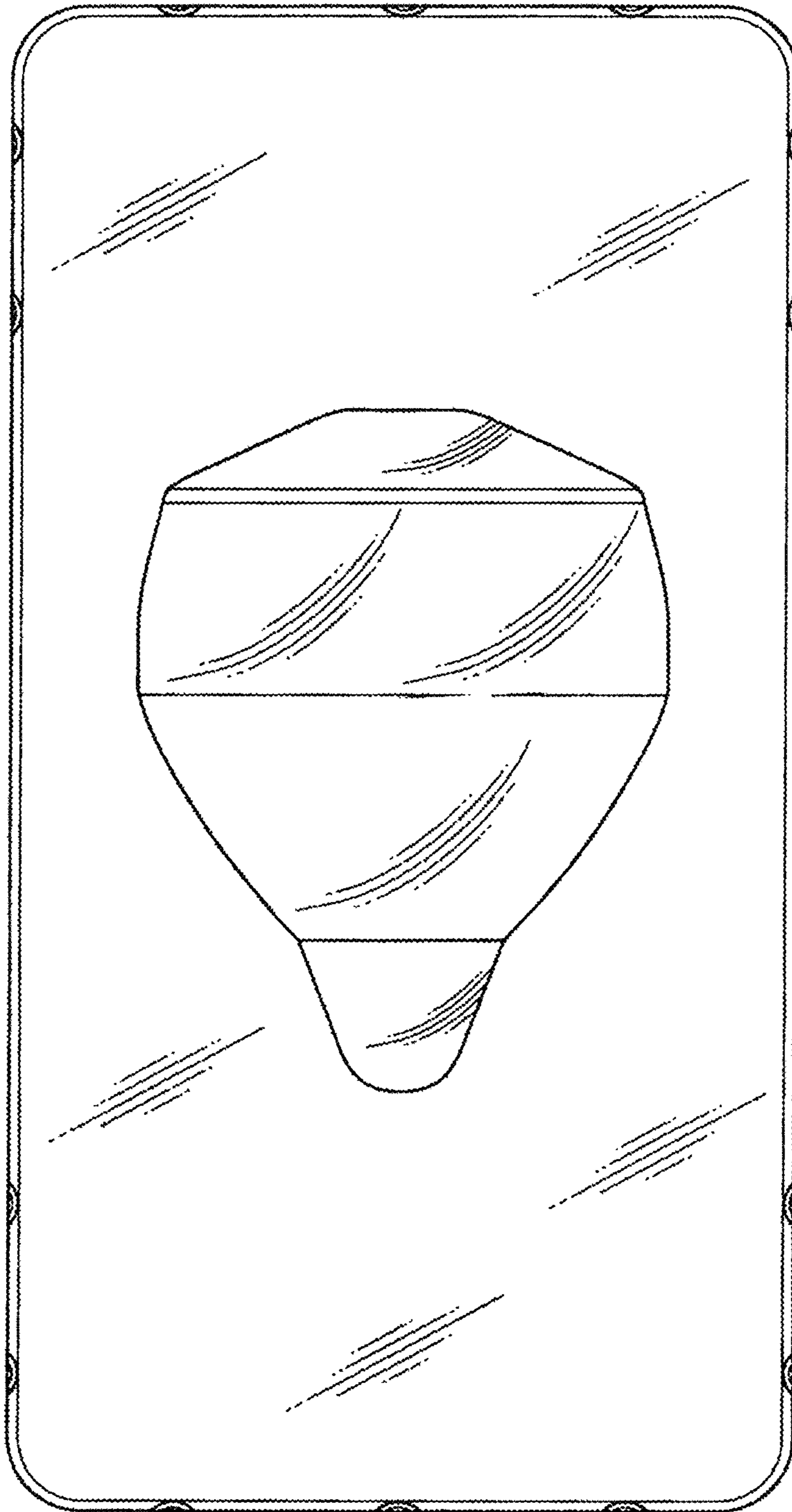


FIG. 2

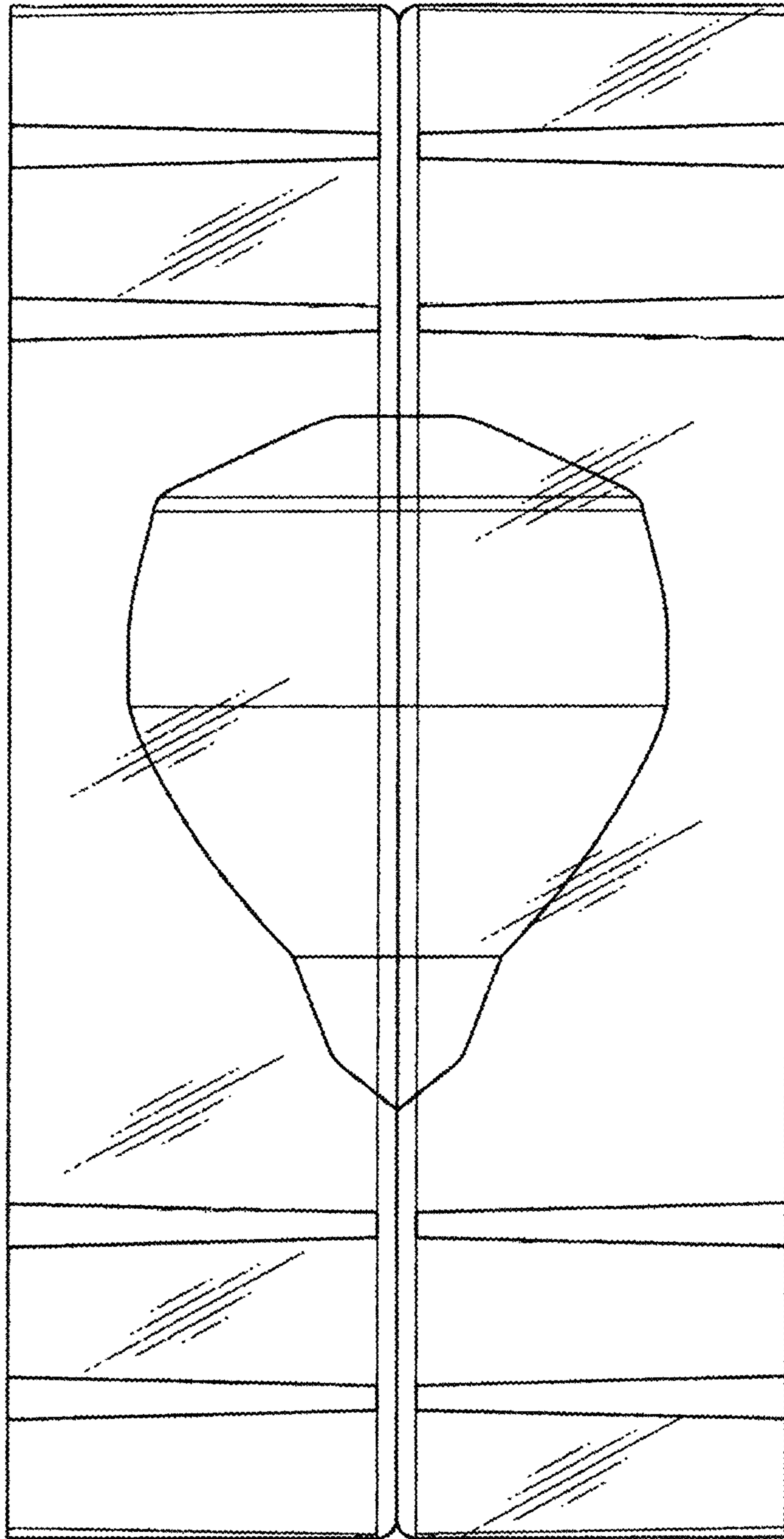


FIG. 3

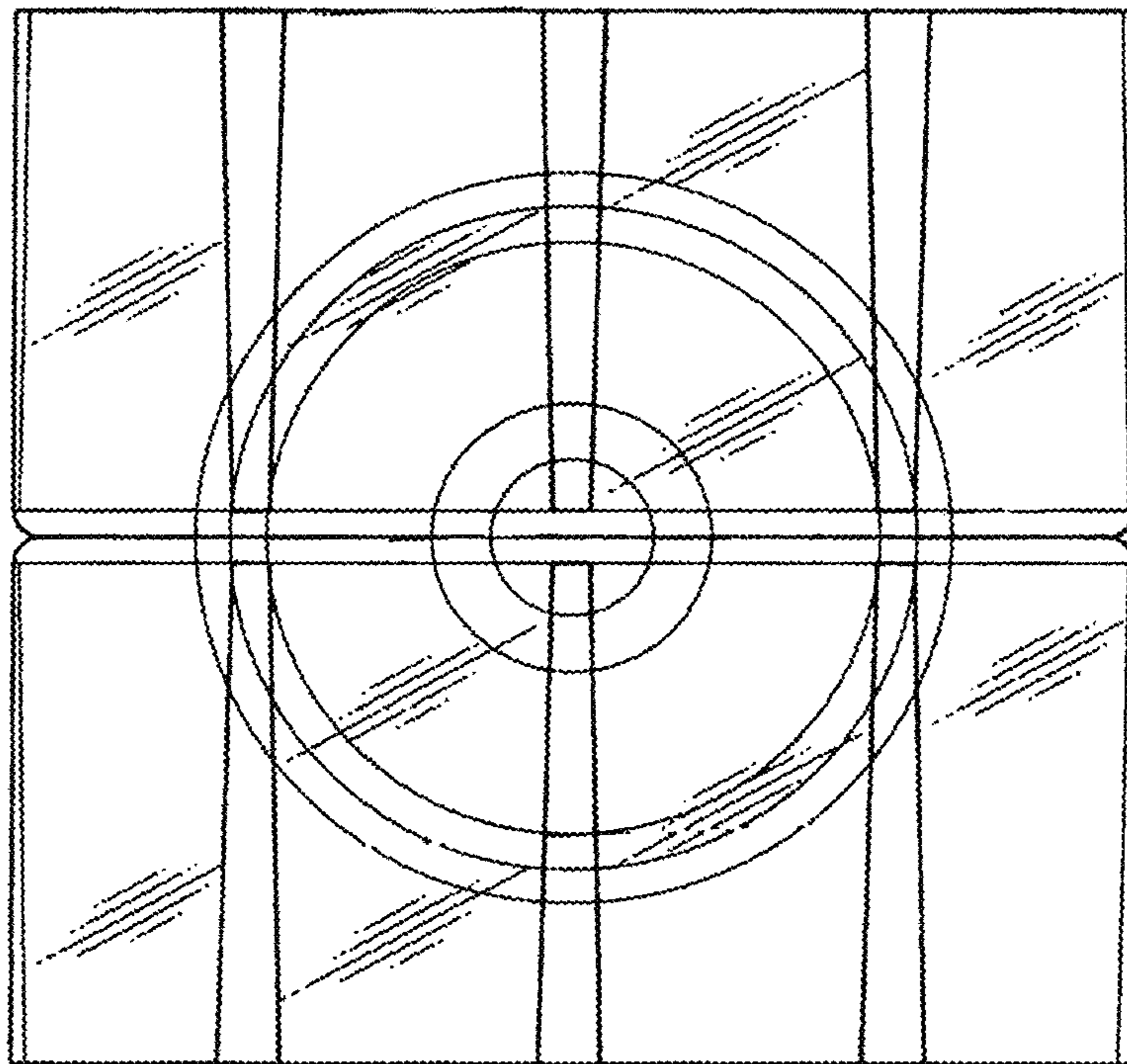


FIG. 4

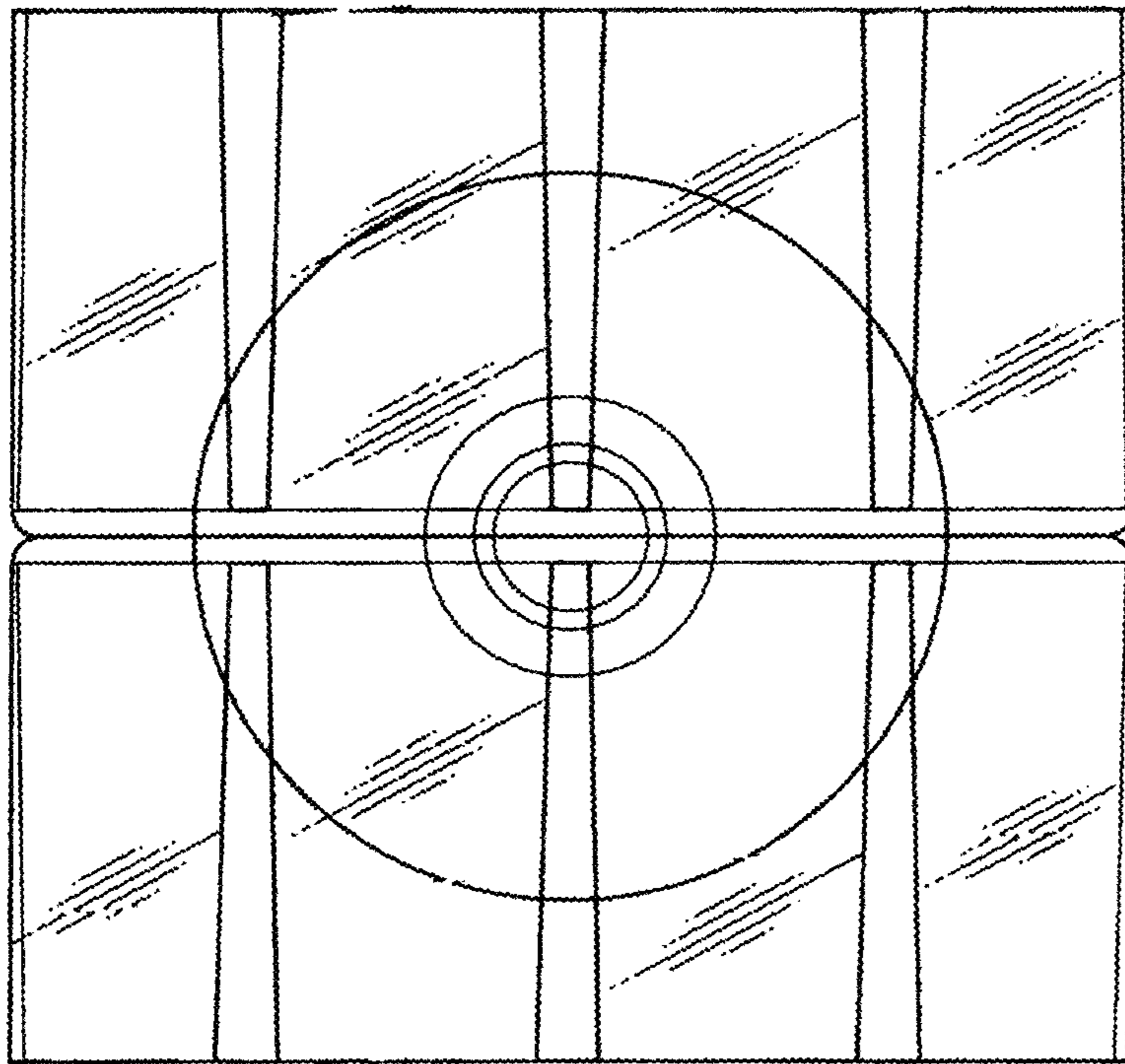


FIG. 5

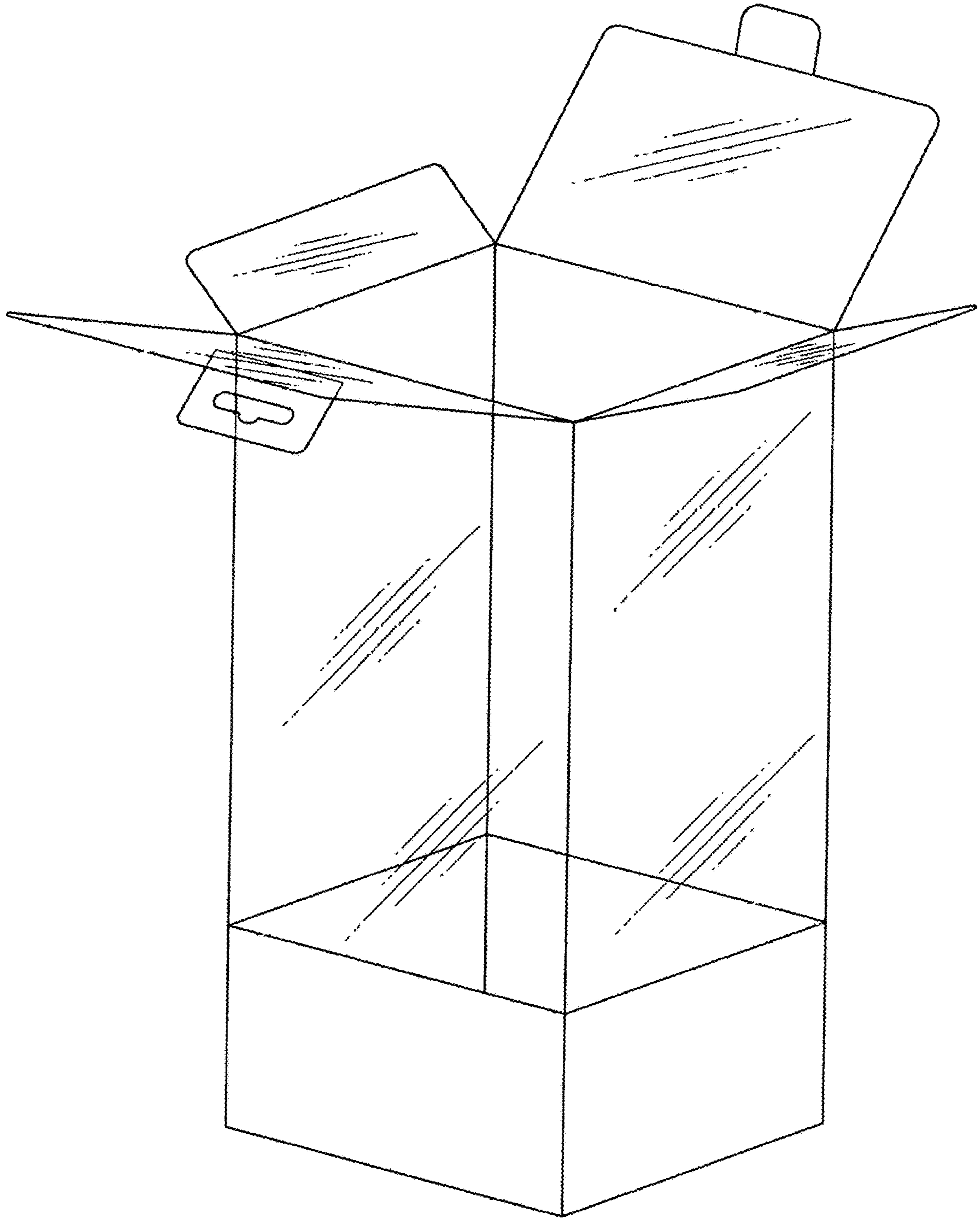


FIG. 6

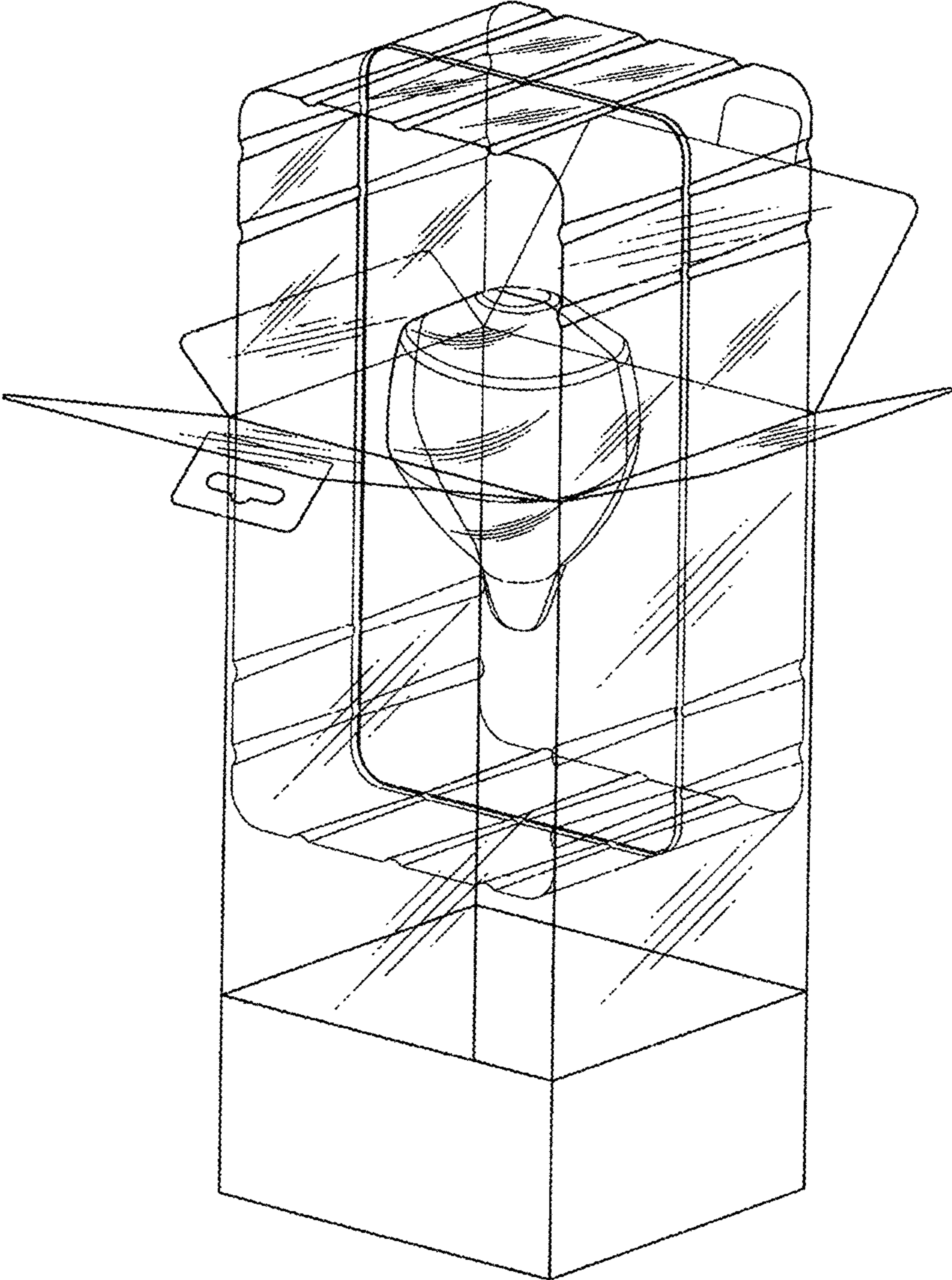


FIG. 7