



US00D795054S

(12) **United States Design Patent**
Likourezos

(10) **Patent No.:** **US D795,054 S**

(45) **Date of Patent:** **** Aug. 22, 2017**

(54) **CONTAINER HAVING COMPARTMENT
FILLED WITH COOLING FLUID**

(71) Applicant: **George Likourezos**, St. James, NY
(US)

(72) Inventor: **George Likourezos**, St. James, NY
(US)

(**) Term: **15 Years**

(21) Appl. No.: **29/534,645**

(22) Filed: **Jul. 30, 2015**

(51) **LOC (10) Cl.** **09-03**

(52) **U.S. Cl.**
USPC **D9/414**

(58) **Field of Classification Search**
USPC D9/414, 429, 425, 416, 428, 625;
D7/400, 545, 630; D24/128; 220/669;
428/138; 206/459.5; 426/130
CPC B65D 1/30; B65D 3/28; B65D 1/26; B32B
7/12

See application file for complete search history.

(56) **References Cited**

U.S. PATENT DOCUMENTS

3,674,512 A	7/1972	Andros	
5,054,617 A	10/1991	Young et al.	
5,170,905 A	12/1992	Luch	
5,782,376 A *	7/1998	Brauner	B65D 1/30 220/669
D470,768 S	2/2003	Melhede	
D512,631 S *	12/2005	Lhoste	D7/545
D544,790 S	6/2007	Bouveret et al.	
D649,054 S *	11/2011	Sharma	D7/630
D658,493 S *	5/2012	Cometto	D9/503
8,191,708 B2 *	6/2012	D'Amato	B65D 3/28 206/459.5
D664,033 S	7/2012	Liang et al.	
8,528,770 B2	9/2013	Albrecht et al.	

D698,237 S *	1/2014	De Pra	D9/425
D698,238 S *	1/2014	De Pra	D9/425
D698,239 S *	1/2014	De Pra	D9/425
D699,566 S *	2/2014	De Pra	D9/425
D699,567 S *	2/2014	De Pra	D9/425
D707,821 S *	6/2014	Doraiswamy	D24/128
D710,686 S *	8/2014	Gowens	D9/429
D739,230 S *	9/2015	Kervazo	D9/425
D739,724 S *	9/2015	Kervazo	D9/425
D739,725 S *	9/2015	Mohler	D9/429
D740,115 S *	10/2015	Kervazo	D9/425
D745,386 S *	12/2015	Covey	D9/416
D753,482 S *	4/2016	Serrano	D9/428
D756,771 S *	5/2016	Covey	D7/400
D757,536 S *	5/2016	Norton	D9/429

(Continued)

Primary Examiner — Rhea Shields

(74) *Attorney, Agent, or Firm* — George Likourezos, Esq.

(57) **CLAIM**

The ornamental design for a container having compartment filled with cooling fluid, as shown and described.

DESCRIPTION

FIG. 1 is a perspective view of a container having compartment filled with cooling fluid and a corresponding lid in accordance with the present design;

FIG. 2 is a perspective view thereof without the lid;

FIG. 3 is a back view thereof;

FIG. 4 is a left side view thereof;

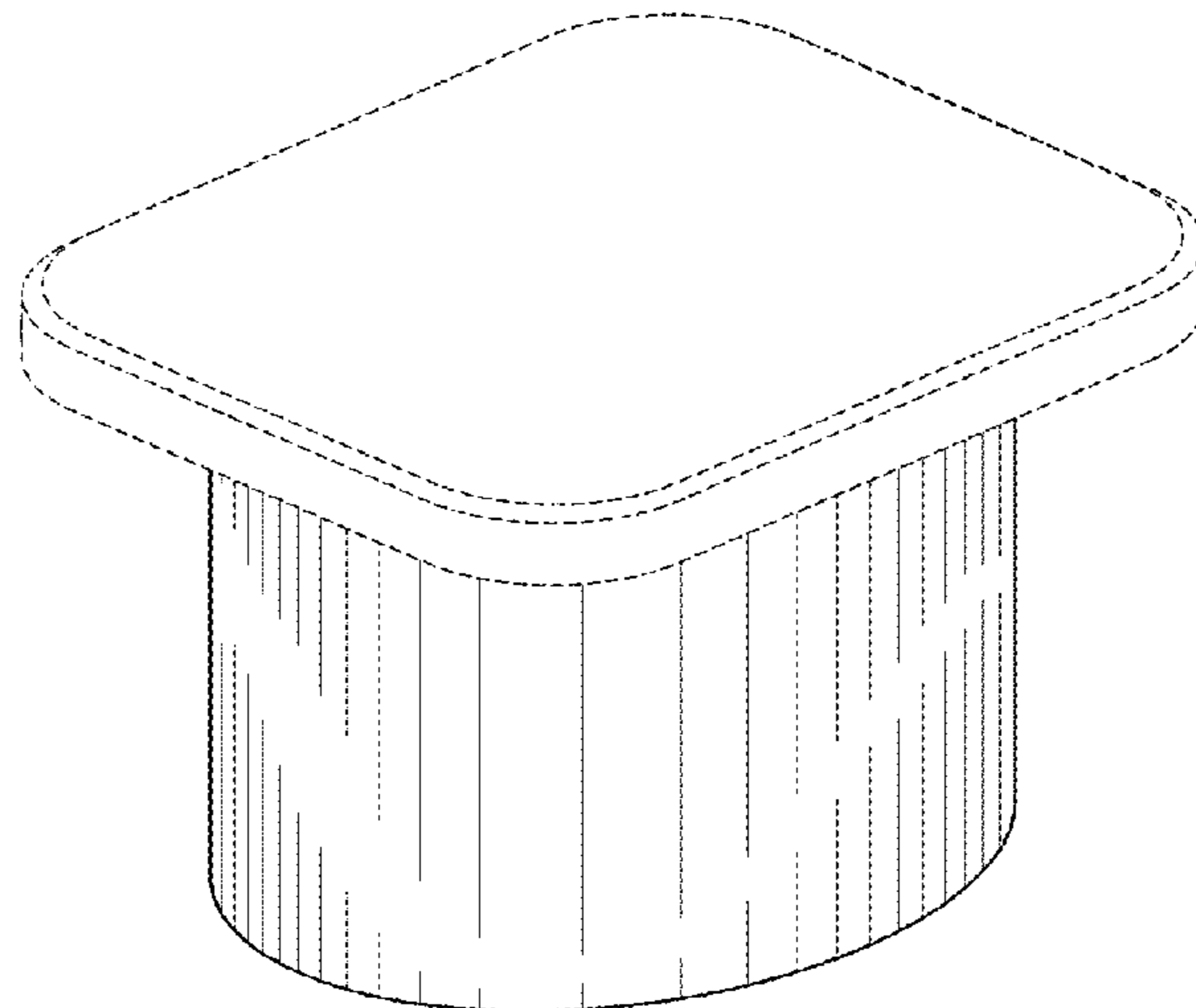
FIG. 5 is a bottom view thereof;

FIG. 6 is a top view thereof; and,

FIG. 7 is a phantom perspective view thereof showing the cooling fluid (shading) within a compartment surrounding the interior perimeter of the container, and another container being inserted within the container.

In the drawings, the broken lines are for the purpose of illustrating environment only and form no part of the claimed design.

1 Claim, 3 Drawing Sheets



(56)

References Cited

U.S. PATENT DOCUMENTS

D764,908 S *	8/2016	Shiffer	D9/428
D766,078 S *	9/2016	Hansen	D9/416
D770,909 S *	11/2016	Kim	D9/625
2003/0108714 A1 *	6/2003	Razeti	B32B 7/12
			428/138
2012/0251679 A1 *	10/2012	Ferry	B65D 1/26
			426/130

* cited by examiner

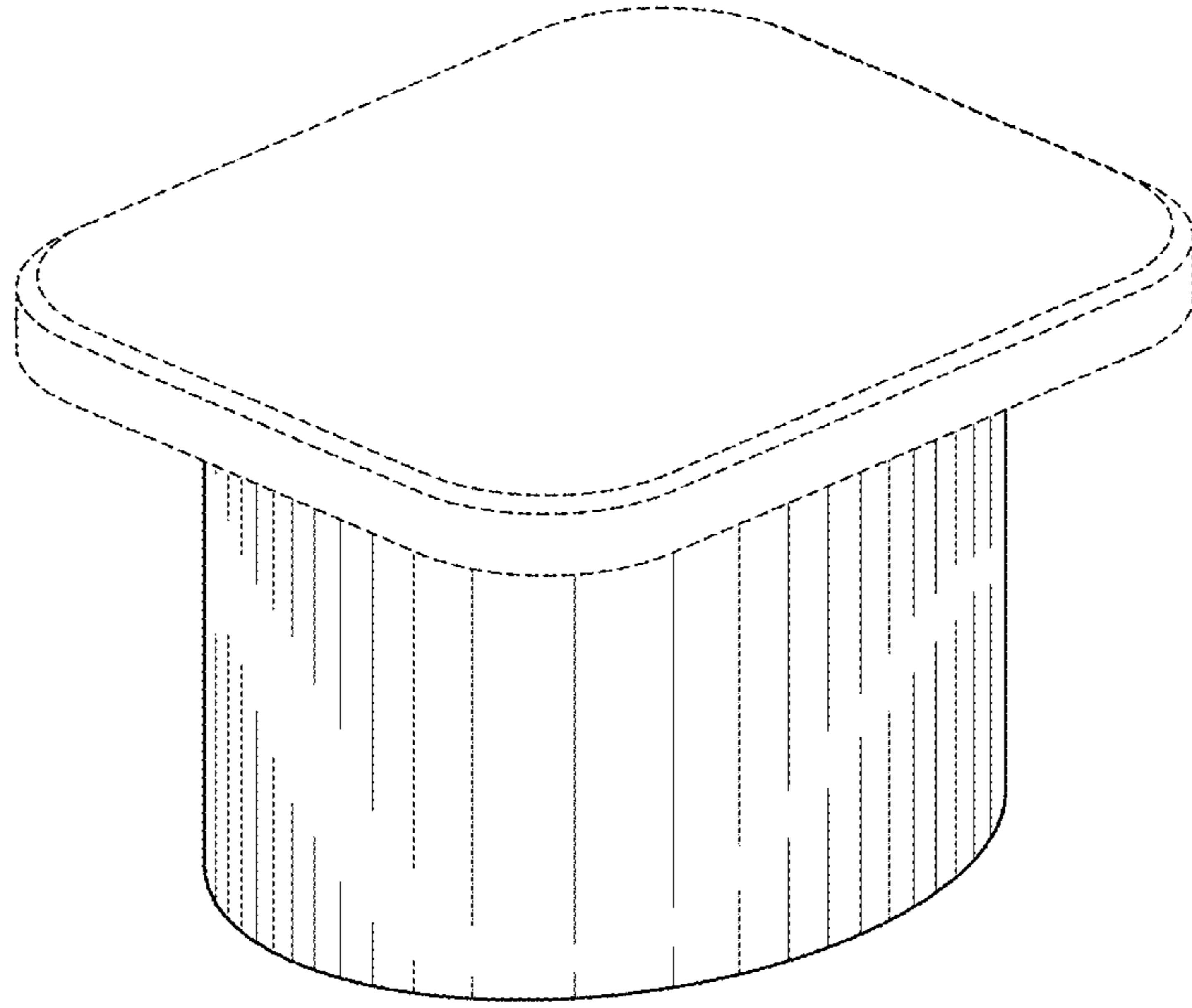


FIG. 1

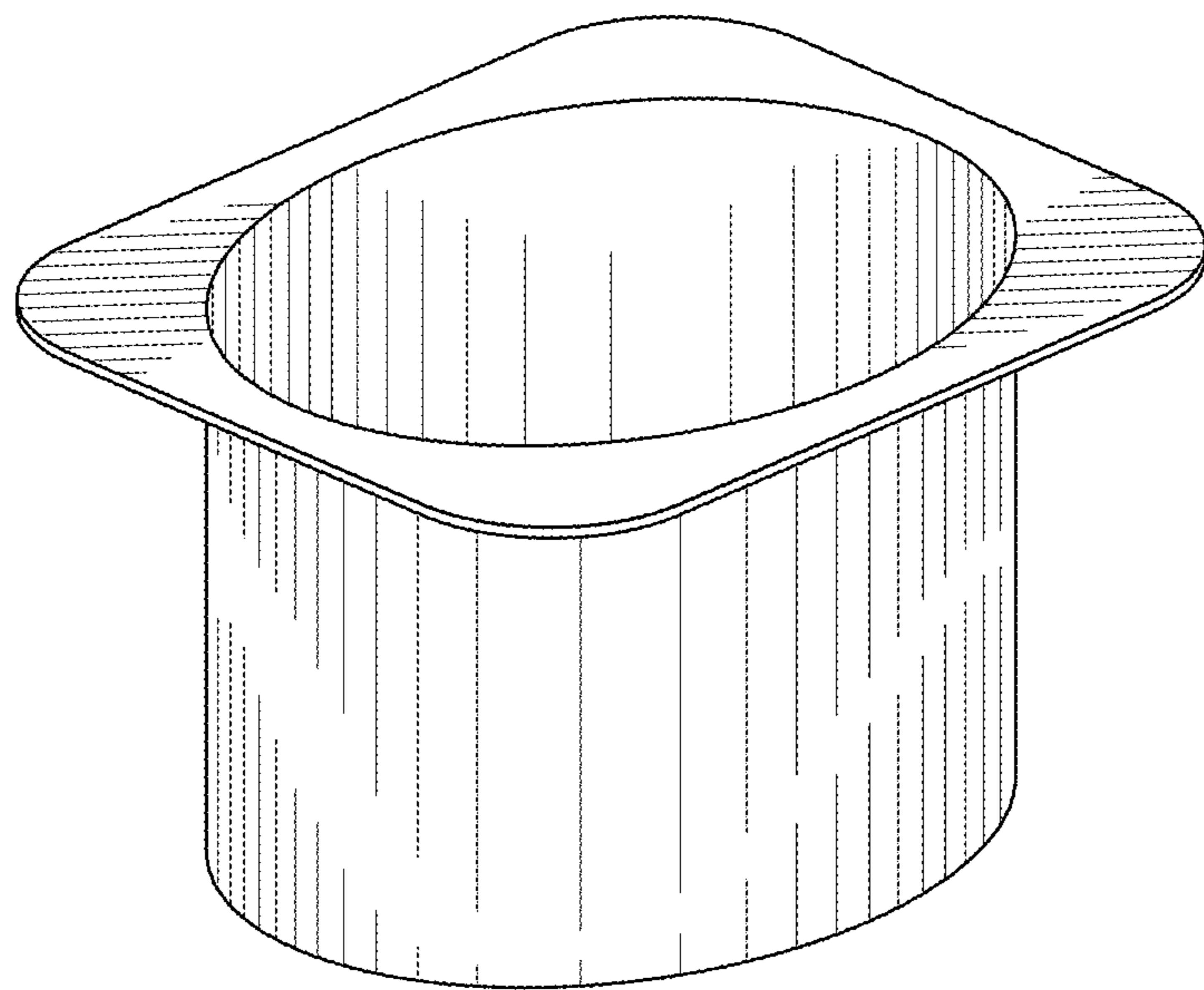


FIG. 2

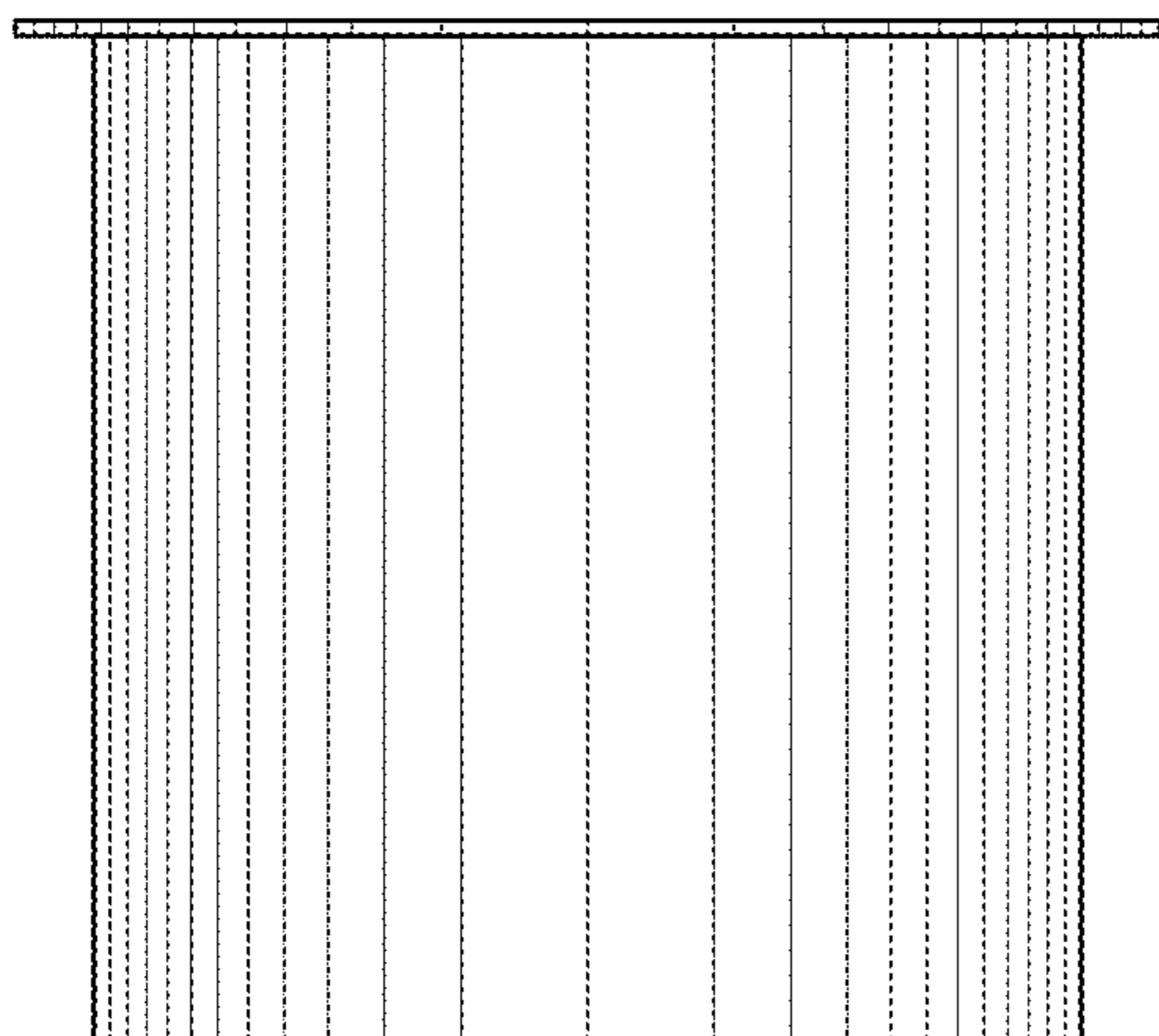


FIG. 3

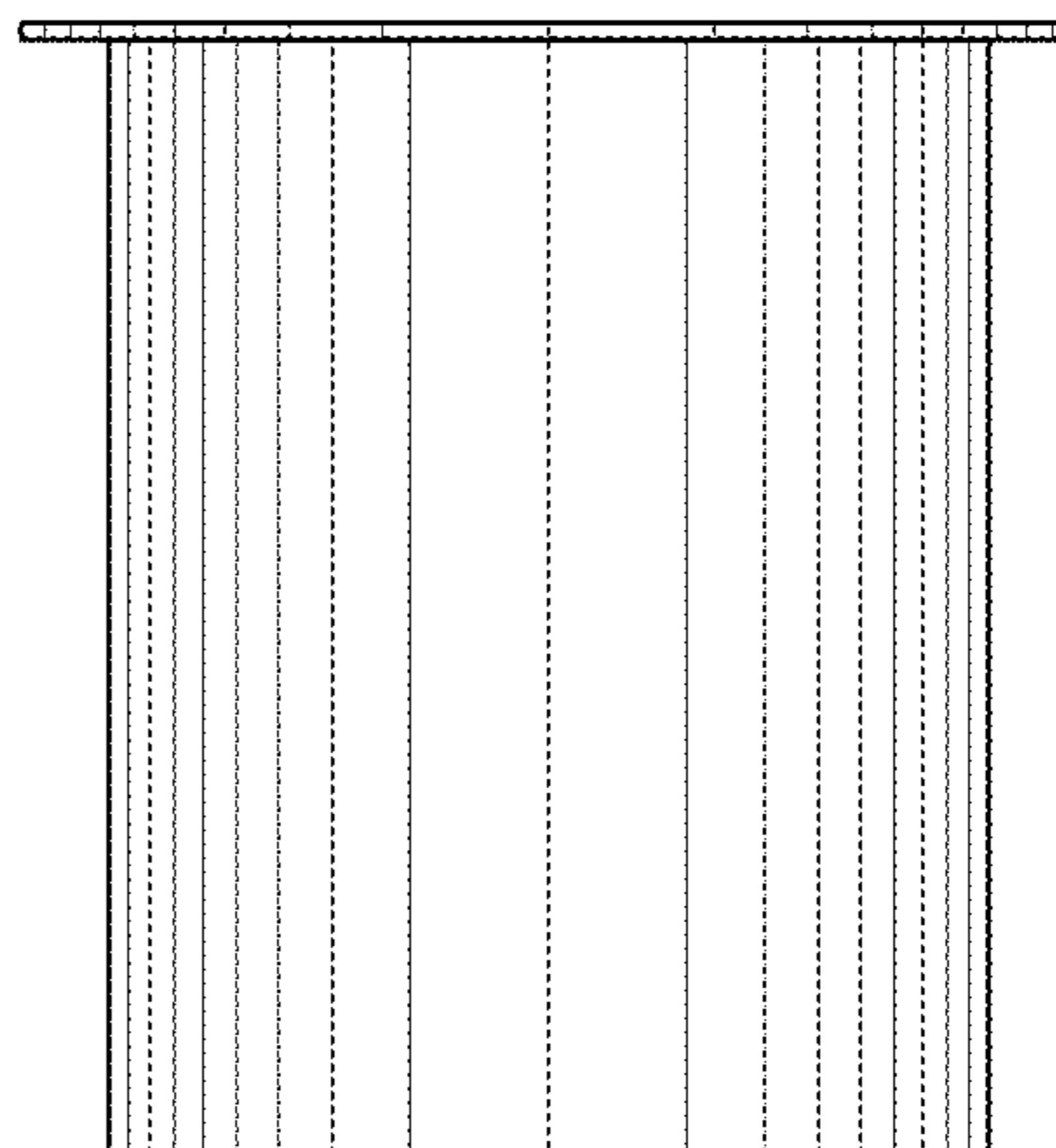


FIG. 4

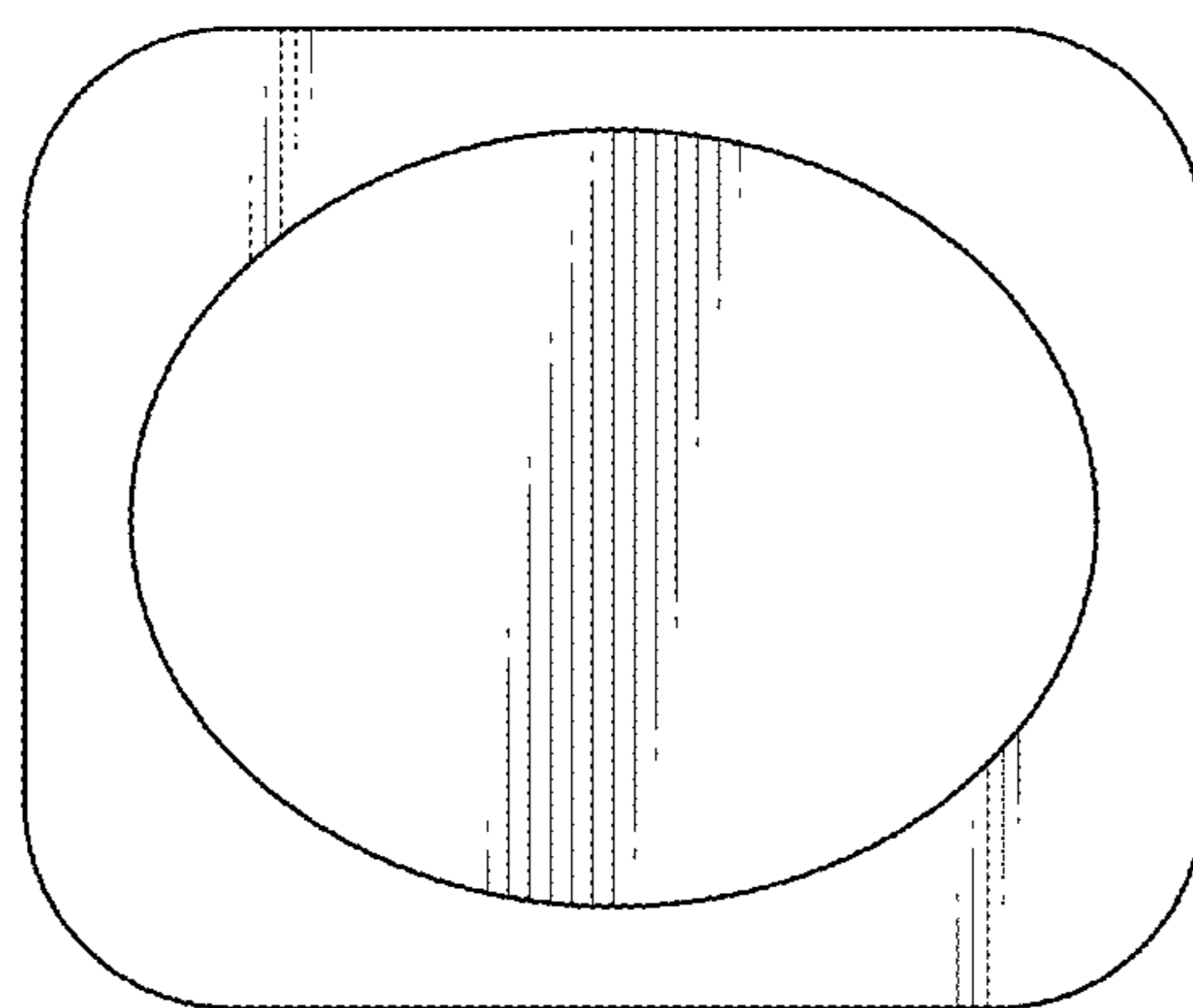


FIG. 5

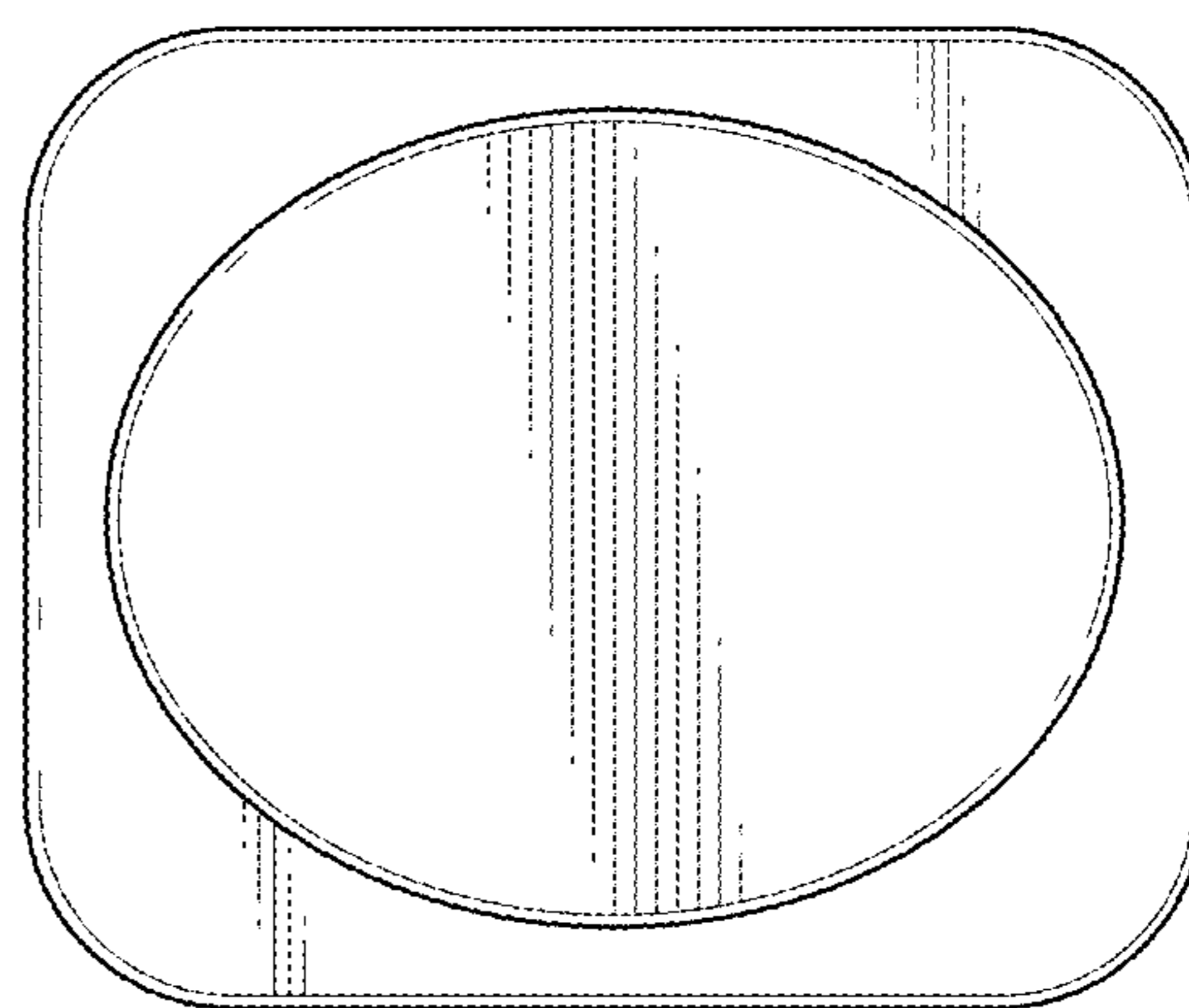


FIG. 6

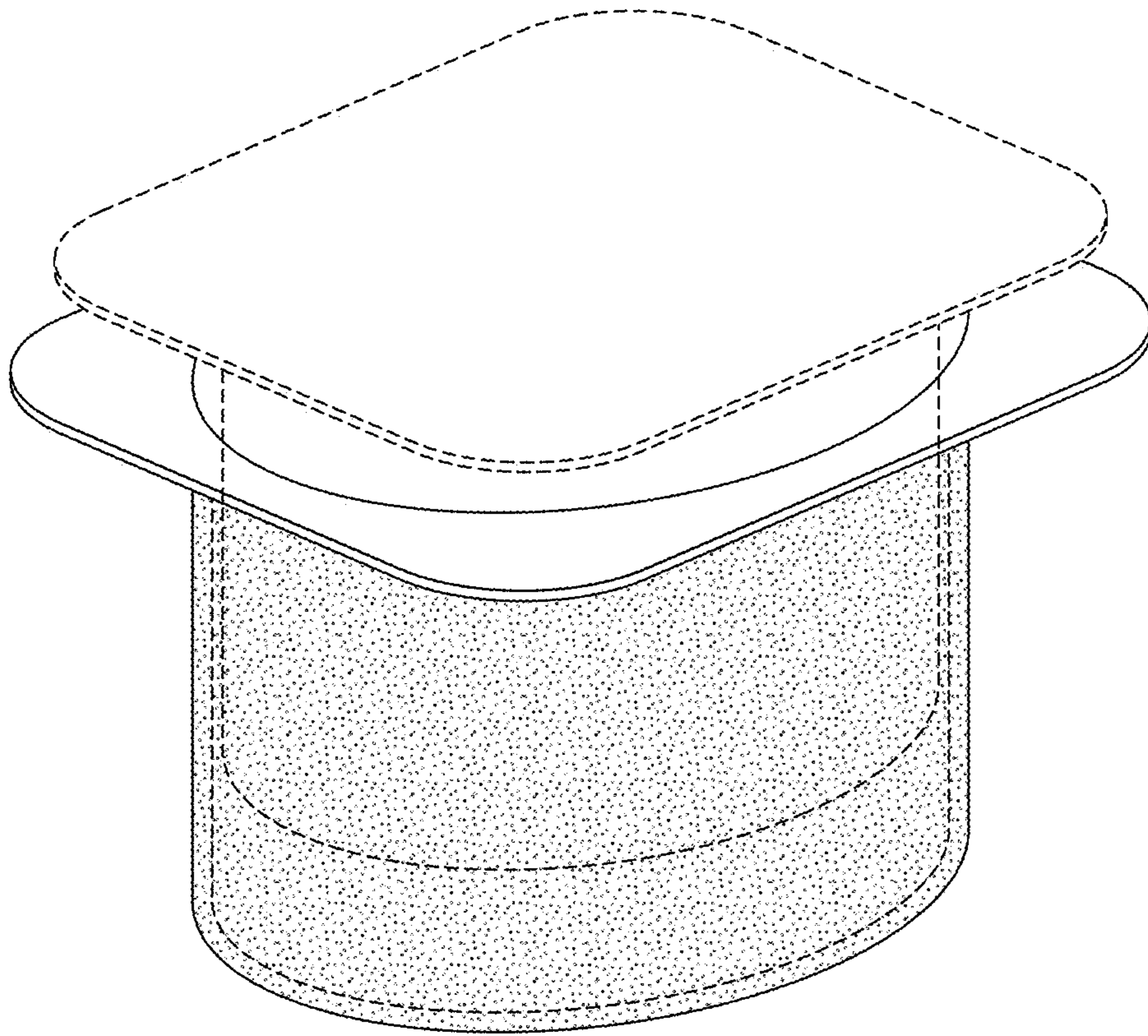


FIG. 7