



US00D795052S

(12) **United States Design Patent** (10) **Patent No.:** **US D795,052 S**  
**Papafagos et al.** (45) **Date of Patent:** **\*\* Aug. 22, 2017**

(54) **THREE HOLE SWIVEL CLAMP**

FOREIGN PATENT DOCUMENTS

(71) Applicant: **TECTRAN Mfg. Inc.**, Cheektowaga, NY (US)

KR 300531577.0000 \* 6/2009

(72) Inventors: **James C. Papafagos**, North Java, NY (US); **Jeffrey D. McKeown**, Banner Elk, NC (US)

OTHER PUBLICATIONS

Tec-Clamp, video date Sep. 22, 2016, <https://www.youtube.com/watch?v=to-njffuRNs>, site visited May 11, 2017.\*

(73) Assignee: **Tectran Mfg. Inc.**, Cheektowaga, NY (US)

*Primary Examiner* — John Windmuller

*Assistant Examiner* — John R Yeh

(\*\*) Term: **15 Years**

(74) *Attorney, Agent, or Firm* — Verrill Dana, LLP; David C. Robertson

(21) Appl. No.: **29/573,595**

(57) **CLAIM**

We claim the ornamental design for a three hole swivel clamp, as shown and described.

(22) Filed: **Aug. 8, 2016**

(51) **LOC (10) Cl.** ..... **08-08**

(52) **U.S. Cl.**  
USPC ..... **D8/396**

(58) **Field of Classification Search**  
USPC ..... D8/382, 384–386, 394–396, 71–74, 499, D8/354–355; D23/361, 363, 366–369; D14/447

CPC ..... F16B 19/00; F16B 19/1081; F16B 19/08; F16B 19/008; F16B 21/075; F16L 3/127; F16L 3/13

See application file for complete search history.

**DESCRIPTION**

FIG. 1 is a perspective view of a three hole swivel clamp depicting, in part, the new, original and ornamental design thereof.

FIG. 2 is a perspective view of the three hole swivel clamp showing the underside thereof.

FIG. 3 is a right side elevation view of the three hole swivel clamp of FIG. 1.

FIG. 4 is a left side elevation view of the three hole swivel clamp of FIG. 1.

FIG. 5 is a front elevation view of the three hole swivel clamp of FIG. 1.

FIG. 6 is a rear elevation view of the three hole swivel clamp of FIG. 1.

FIG. 7 is a top plan view of the three hole swivel clamp of FIG. 1; and,

FIG. 8 is a bottom plan view of the three hole swivel clamp of FIG. 1.

The broken lines in the drawing figures depict environmental structure or portions of the three hole swivel clamp for illustrative purposes only, and form no part of the claimed design.

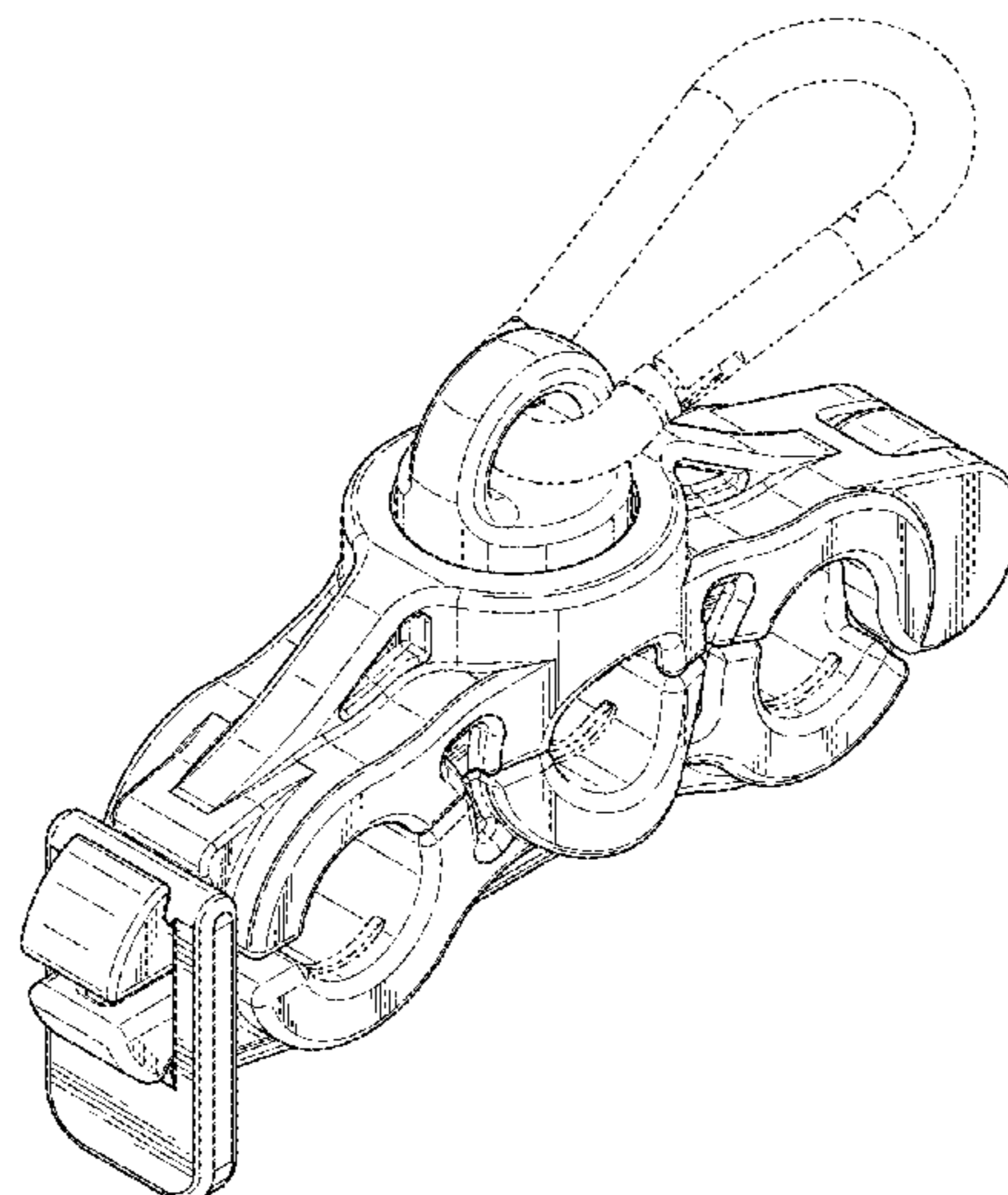
(56) **References Cited**

U.S. PATENT DOCUMENTS

D49,673 S \* 9/1916 Pleister ..... D8/383  
2,366,041 A \* 12/1944 Morchouse ..... F16L 3/1233  
24/564  
3,421,187 A \* 1/1969 Ryder ..... F16L 3/2235  
248/74.3  
D230,826 S \* 3/1974 Menshen ..... D8/396  
D234,204 S \* 1/1975 Miller ..... 24/487  
D236,250 S \* 8/1975 Cooper ..... D13/154  
4,089,087 A \* 5/1978 Heitman ..... F16L 3/2235  
24/329

(Continued)

**1 Claim, 6 Drawing Sheets**



(56)

**References Cited**

U.S. PATENT DOCUMENTS

D269,851 S \* 7/1983 Kimura ..... D8/356  
D311,487 S \* 10/1990 Platt ..... D8/356  
5,209,441 A \* 5/1993 Satoh ..... F16L 3/223  
174/135  
D375,890 S \* 11/1996 Takai ..... D8/380  
6,109,569 A \* 8/2000 Sakaida ..... F16L 3/222  
248/316.7  
6,241,198 B1 \* 6/2001 Maruyama ..... F16L 3/223  
248/49  
6,926,237 B2 \* 8/2005 Shereyk ..... F16B 5/0685  
248/71  
7,185,770 B1 \* 3/2007 Roten ..... A47B 81/00  
211/70.6  
D575,231 S \* 8/2008 Ho ..... D13/133  
D581,255 S \* 11/2008 Calvin ..... D8/356  
D639,146 S \* 6/2011 Hoek ..... D8/356  
D676,314 S \* 2/2013 Cude ..... D8/396  
D712,243 S \* 9/2014 Raines ..... D8/396  
D722,867 S \* 2/2015 Papafagos ..... D8/396  
D761,644 S \* 7/2016 Papafagos ..... D8/396

\* cited by examiner

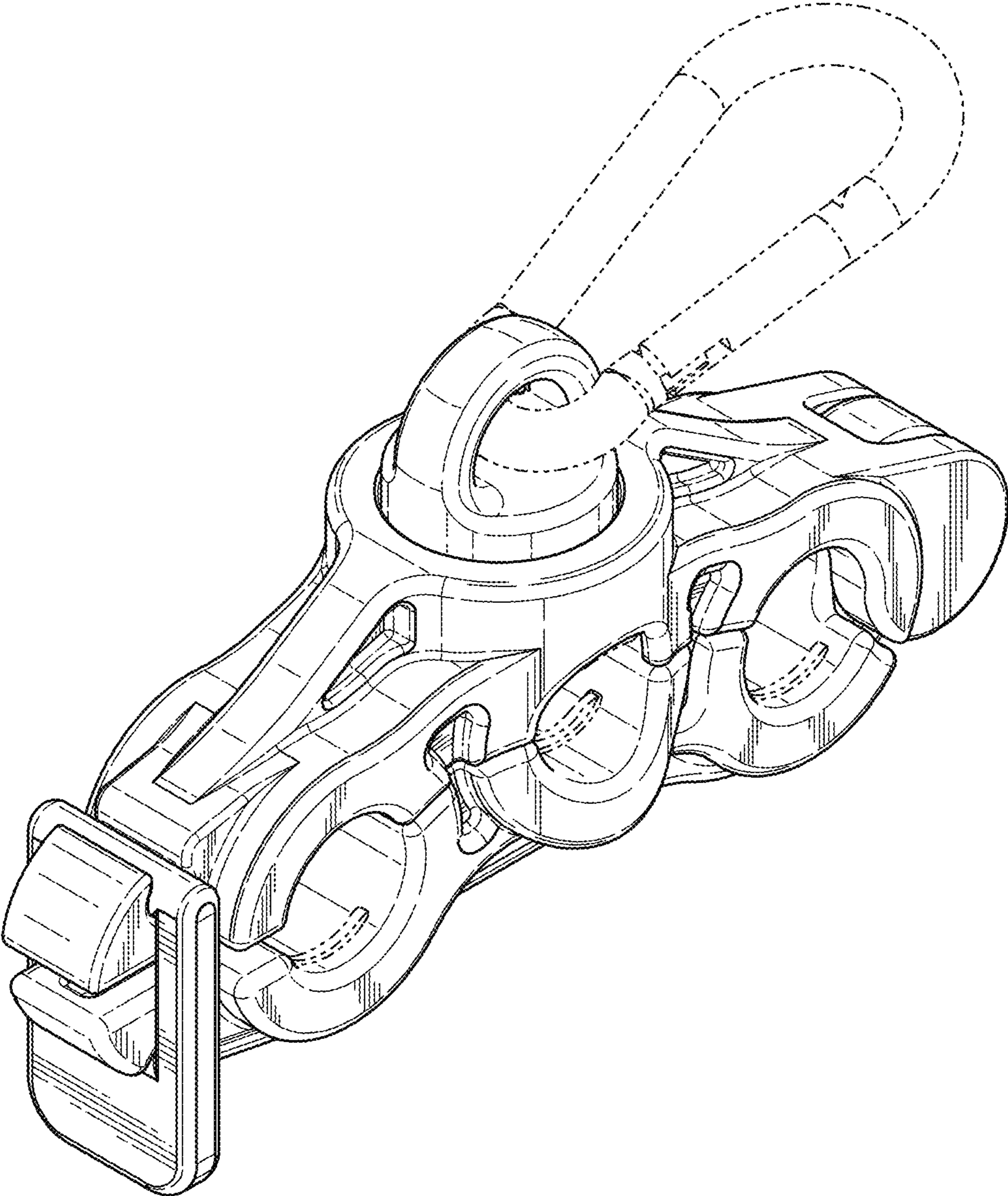


FIG. 1



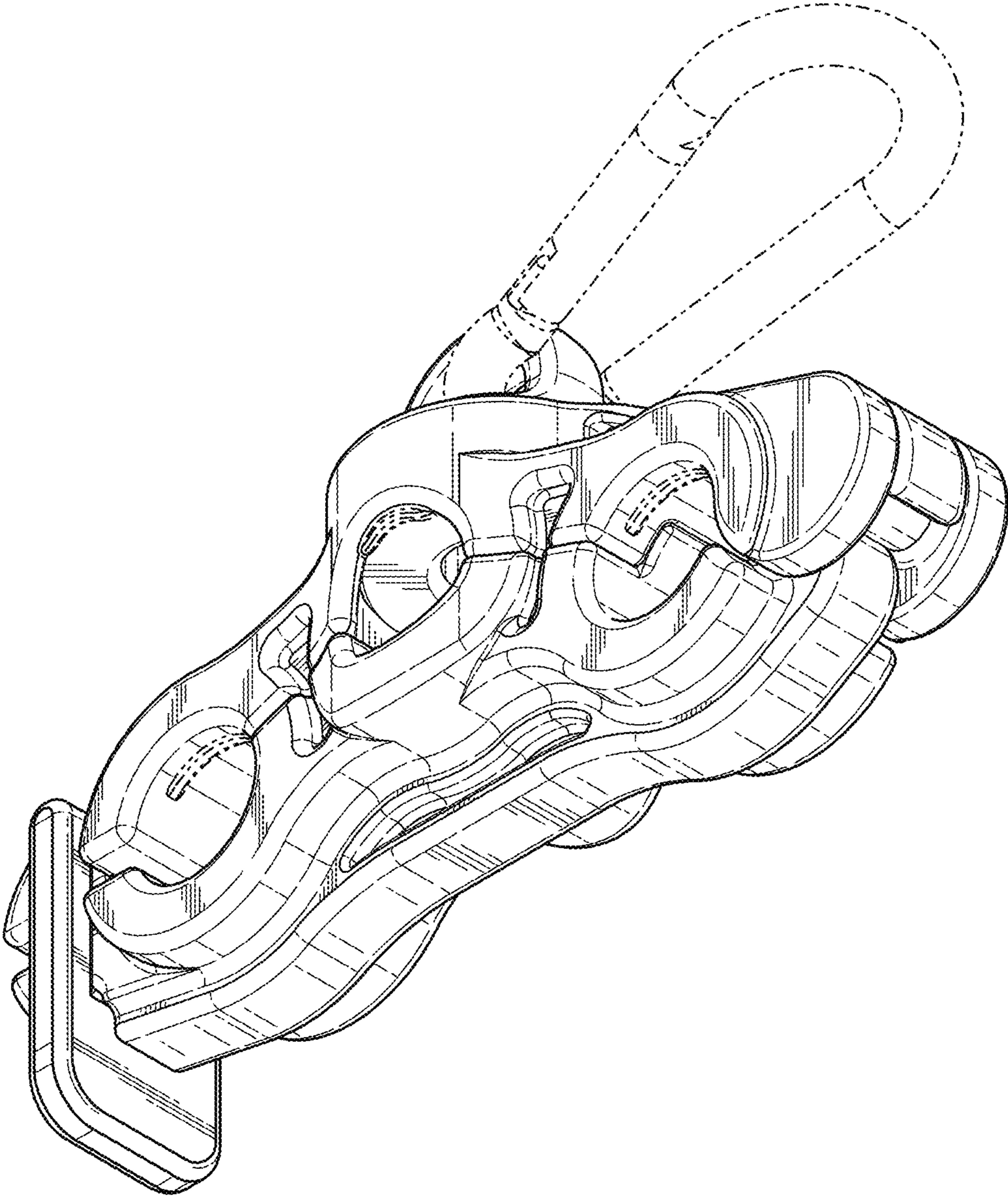


FIG. 2

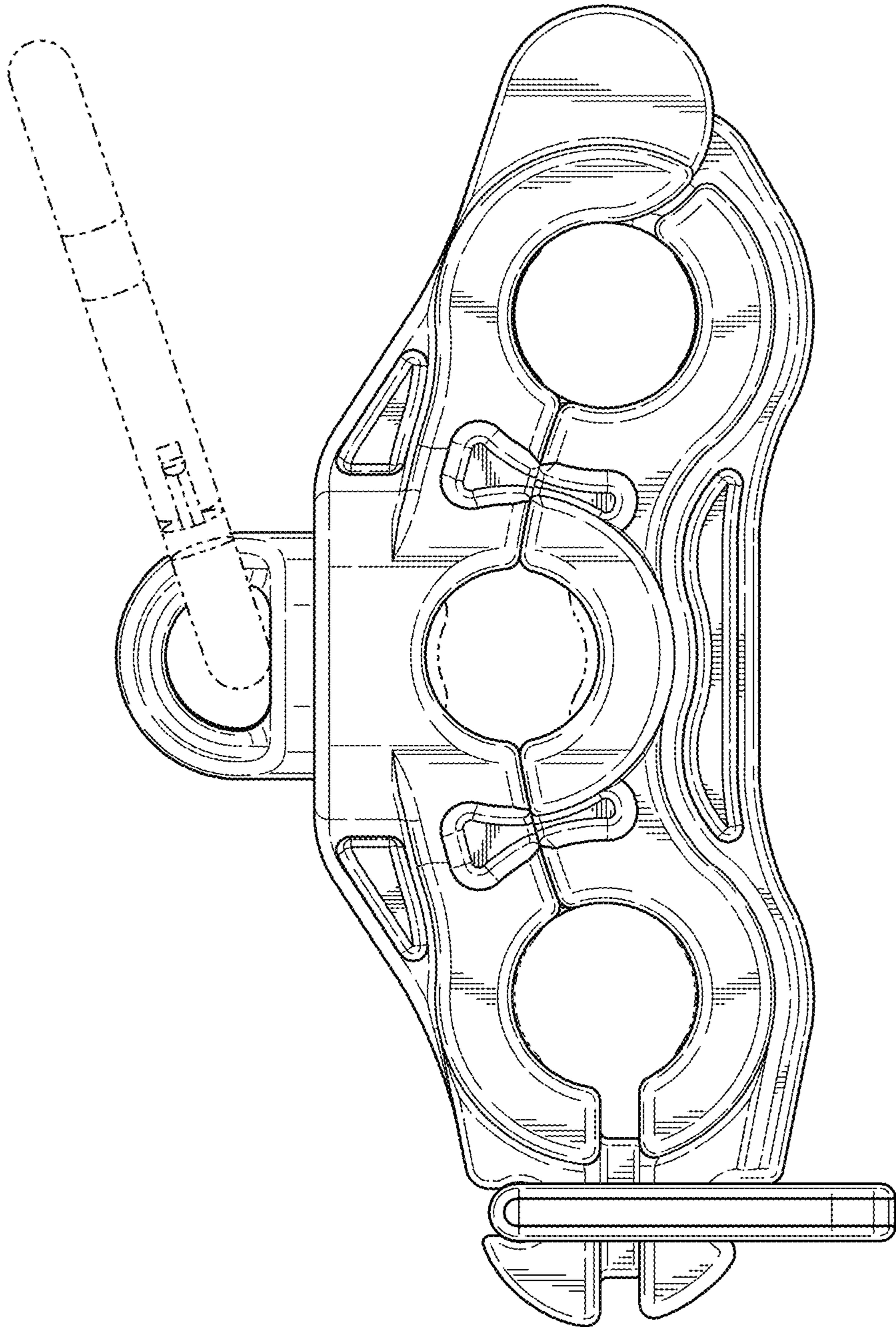


FIG. 3

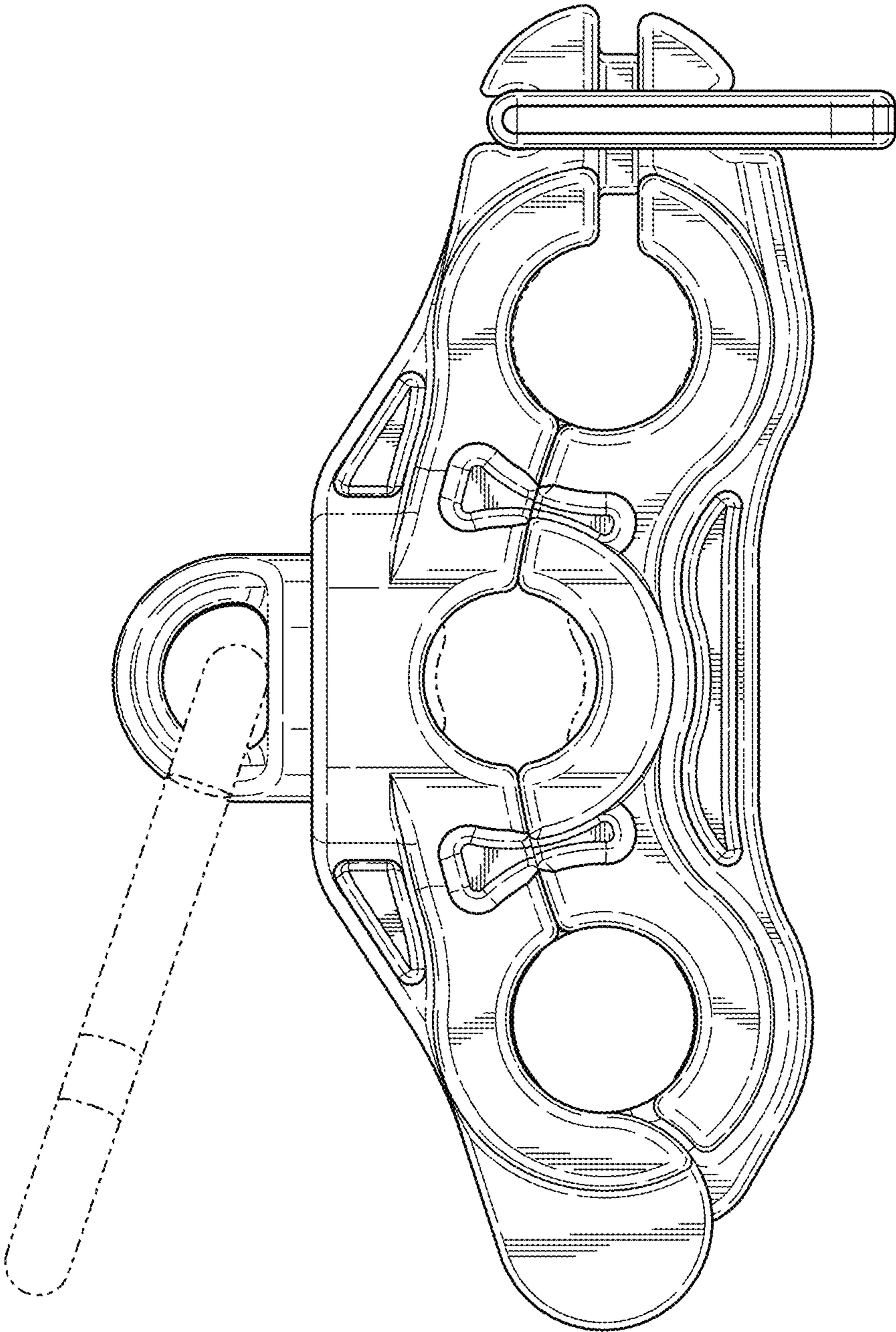


FIG. 4



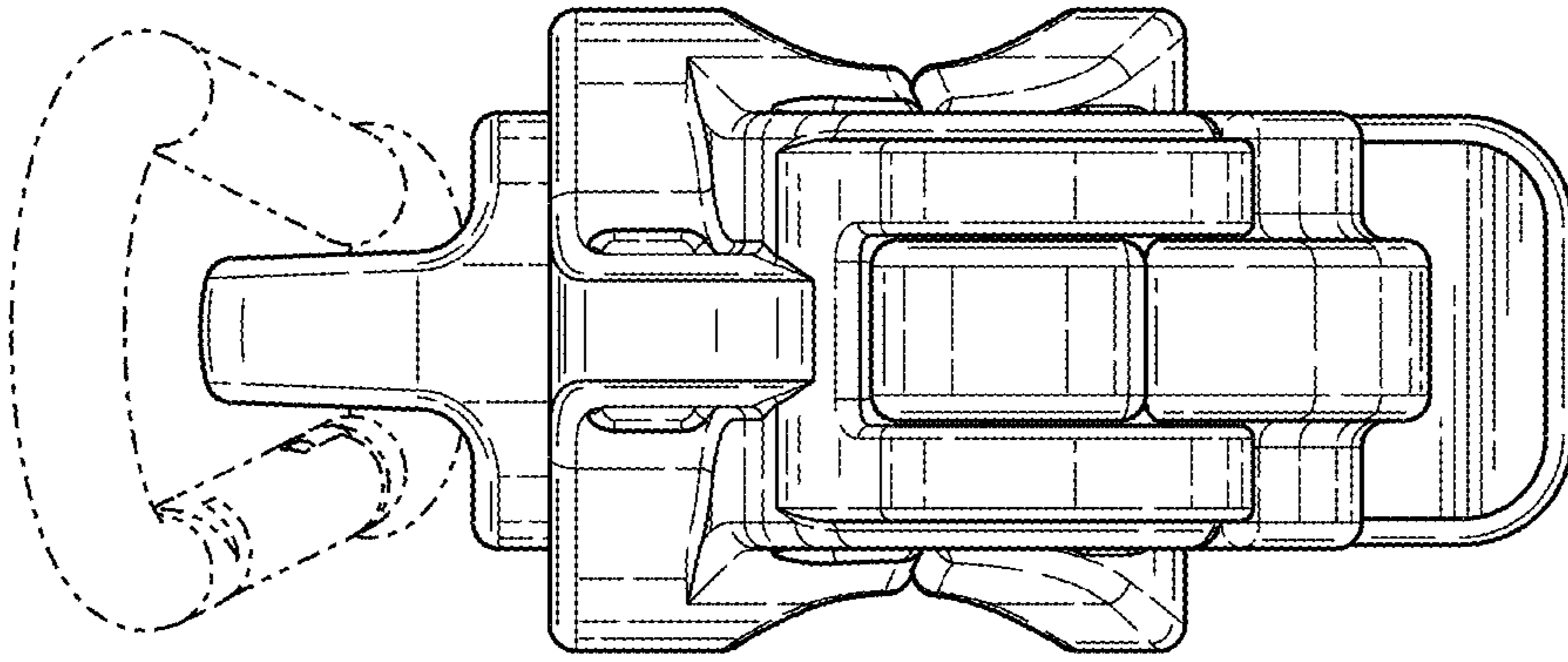


FIG. 6

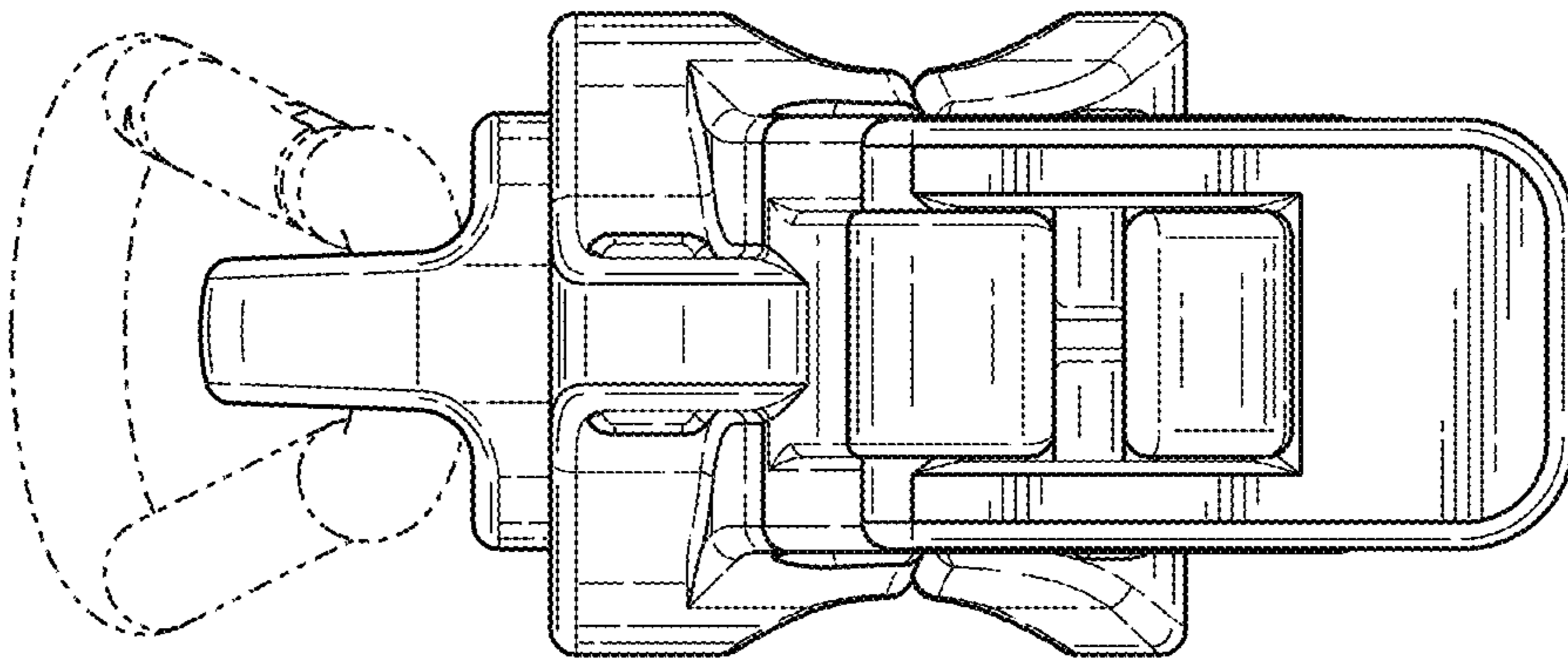


FIG. 5

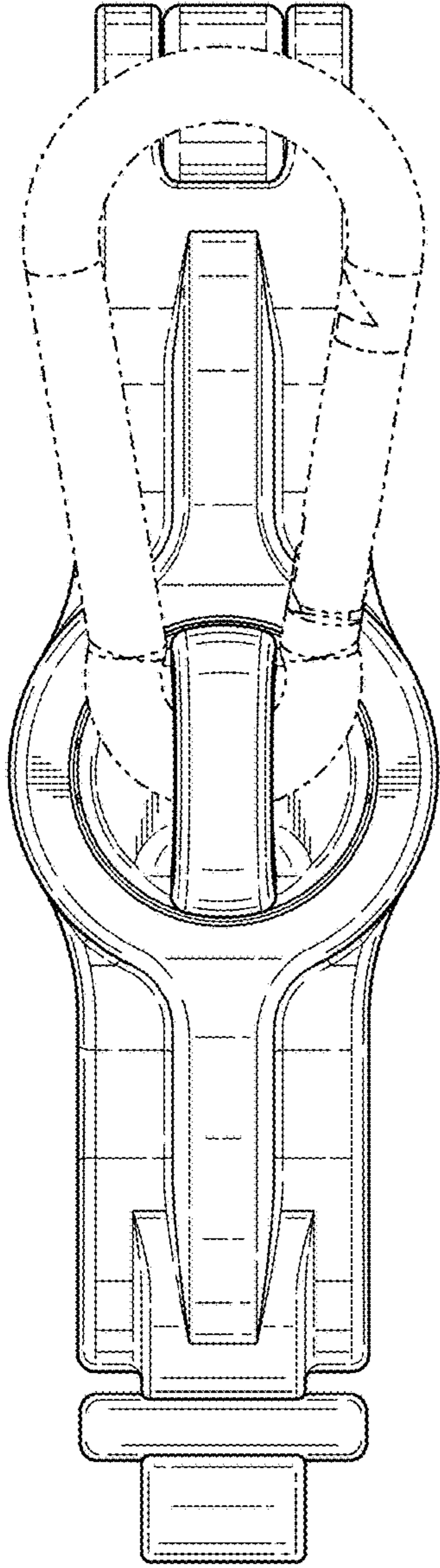


FIG. 7

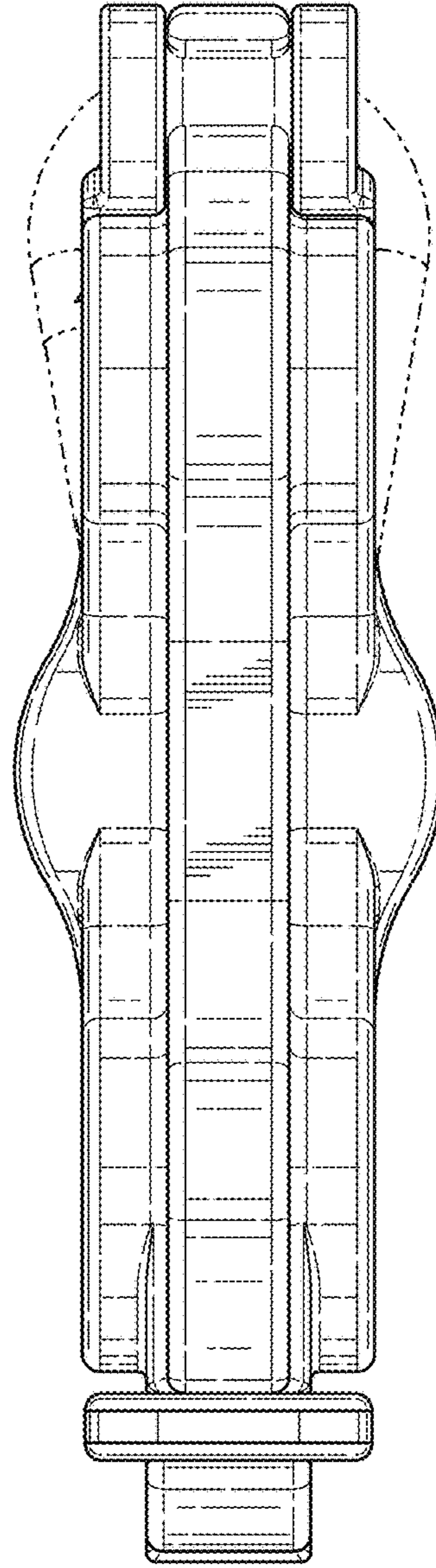


FIG. 8