



US00D795051S

(12) **United States Design Patent** (10) **Patent No.:** **US D795,051 S**
Papafagos et al. (45) **Date of Patent:** **** Aug. 22, 2017**

(54) **FOUR HOLE SWIVEL CLAMP**

FOREIGN PATENT DOCUMENTS

(71) Applicant: **TECTRAN Mfg. Inc.**, Cheektowaga, NY (US)

KR 300531577.0000 * 6/2009

(72) Inventors: **James C. Papafagos**, North Java, NY (US); **Jeffrey D. McKeown**, Banner Elk, NC (US)

OTHER PUBLICATIONS

Tec-Clamp, video date Sep. 22, 2016, <https://www.youtube.com/watch?v=to-njffuRNs>, site visited May 11, 2017.*

(73) Assignee: **Tectran Mfg. Inc.**, Cheektowaga, NY (US)

Primary Examiner — John Windmuller

Assistant Examiner — John R Yeh

(**) Term: **15 Years**

(74) *Attorney, Agent, or Firm* — Verrill Dana, LLP; David C. Robertson

(21) Appl. No.: **29/571,526**

(57) **CLAIM**

We claim the ornamental design for a four hole swivel clamp, as shown and described.

(22) Filed: **Jul. 19, 2016**

(51) **LOC (10) Cl.** **08-08**

(52) **U.S. Cl.**
USPC **D8/396**

(58) **Field of Classification Search**
USPC D8/382, 384–386, 394–396, 71–74, 499, D8/354–355; D23/361, 363, 366–369; D14/447

CPC F16B 19/00; F16B 19/1081; F16B 19/08; F16B 19/008; F16B 21/075; F16L 3/127; F16L 3/13

See application file for complete search history.

DESCRIPTION

FIG. 1 is a perspective view of a four hole swivel clamp depicting, in part, the new, original and ornamental design thereof.

FIG. 2 is a perspective view of the four hole swivel clamp showing the underside thereof.

FIG. 3 is a right side elevation view of the four hole swivel clamp of FIG. 1.

FIG. 4 is a left side elevation view of the four hole swivel clamp of FIG. 1.

FIG. 5 is a front elevation view of the four hole swivel clamp of FIG. 1.

FIG. 6 is a rear elevation view of the four hole swivel clamp of FIG. 1.

FIG. 7 is a top plan view of the four hole swivel clamp of FIG. 1; and,

FIG. 8 is a bottom plan view of the four hole swivel clamp of FIG. 1.

The broken lines in the drawing figures depict environmental structure or portions of the four hole swivel clamp for illustrative purposes only, and form no part of the claimed design.

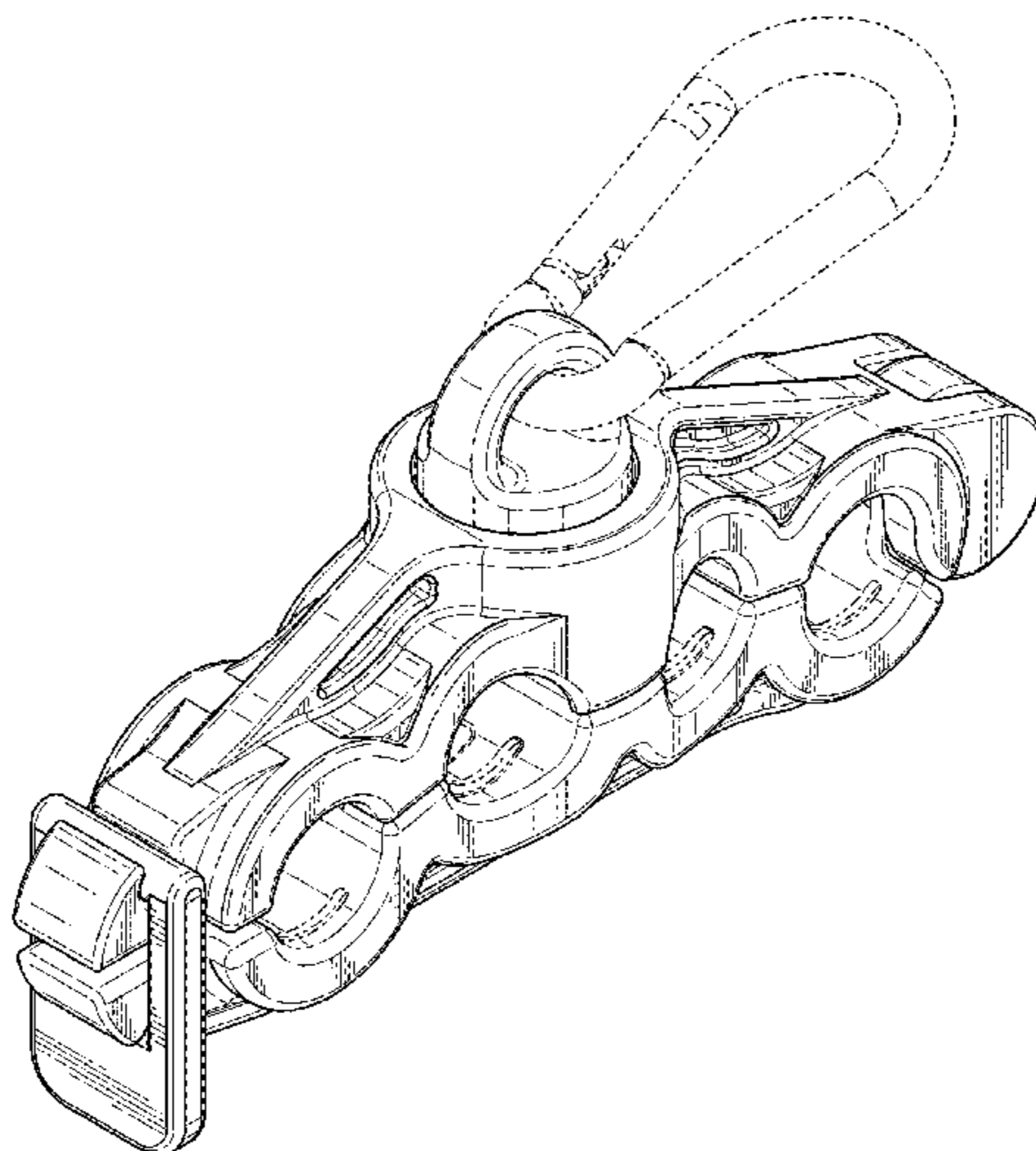
(56) **References Cited**

U.S. PATENT DOCUMENTS

D49,673 S * 9/1916 Pleister D8/383
2,366,041 A * 12/1944 Morchouse F16L 3/1233
24/564
3,421,187 A * 1/1969 Ryder F16L 3/2235
248/74.3
D230,826 S * 3/1974 Menshen D8/396
D234,204 S * 1/1975 Miller et al. 24/487
D236,250 S * 8/1975 Walton D13/154
4,089,087 A * 5/1978 Heitman F16L 3/2235
24/329

(Continued)

1 Claim, 6 Drawing Sheets



(56)

References Cited

U.S. PATENT DOCUMENTS

D269,851	S *	7/1983	Kimura	D8/356
D311,487	S *	10/1990	Platt	D8/356
5,209,441	A *	5/1993	Satoh	F16L 3/223
				174/135
D375,890	S *	11/1996	Takai	D8/380
6,109,569	A *	8/2000	Sakaida	F16L 3/222
				248/316.7
6,241,198	B1 *	6/2001	Maruyama	F16L 3/223
				248/49
6,926,237	B2 *	8/2005	Shereyk	F16B 5/0685
				248/71
7,185,770	B1 *	3/2007	Roten	A47B 81/00
				211/70.6
D575,231	S *	8/2008	Ho	D13/133
D581,255	S *	11/2008	Calvin	D8/356
D639,146	S *	6/2011	Hoek	D8/356
D676,314	S *	2/2013	Cude	D8/396
D712,243	S *	9/2014	Raines	D8/396
D722,867	S *	2/2015	Papafagos	D8/396
D761,644	S *	7/2016	Papafagos	D8/396

* cited by examiner

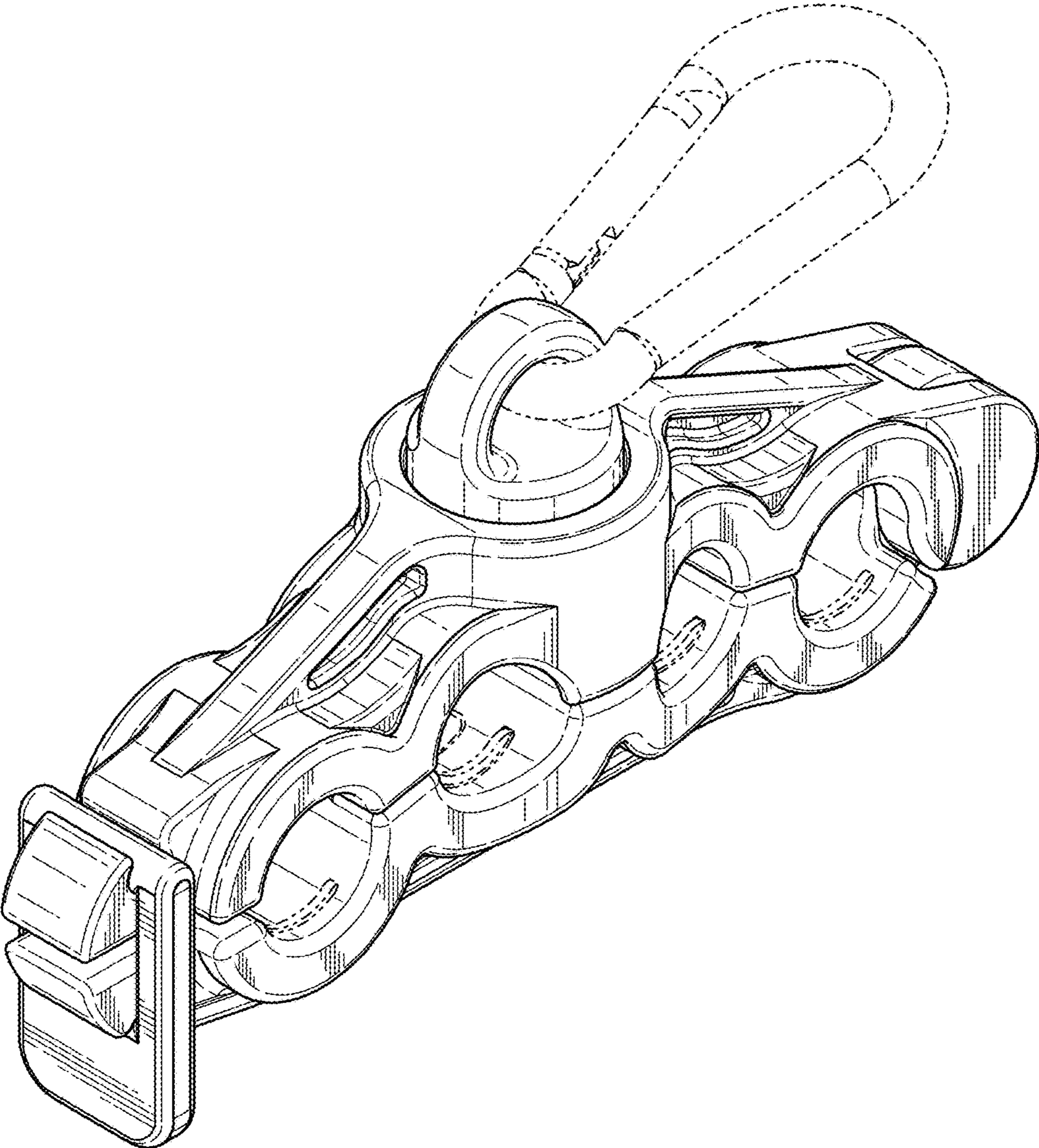


FIG. 1

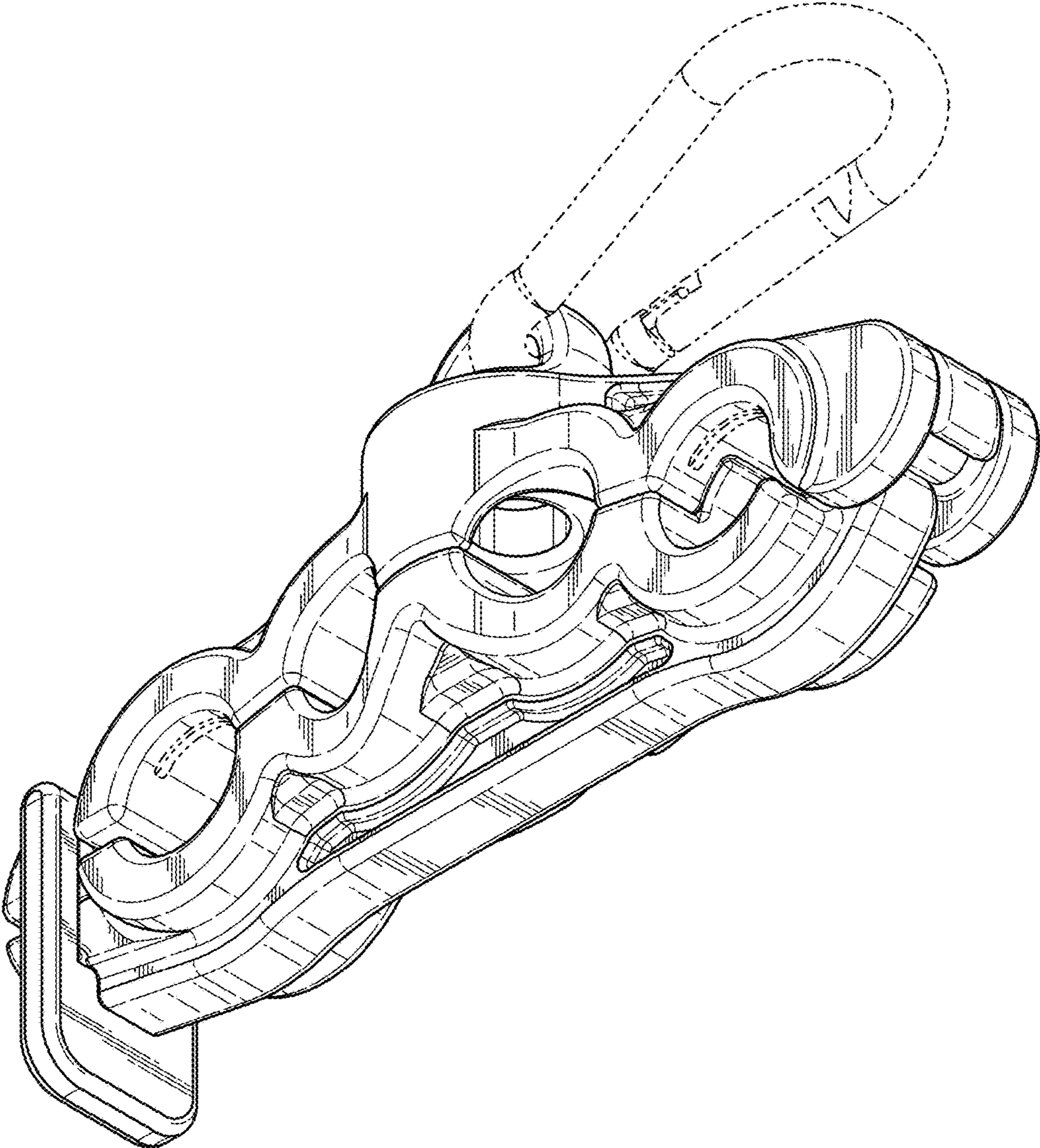


FIG. 2

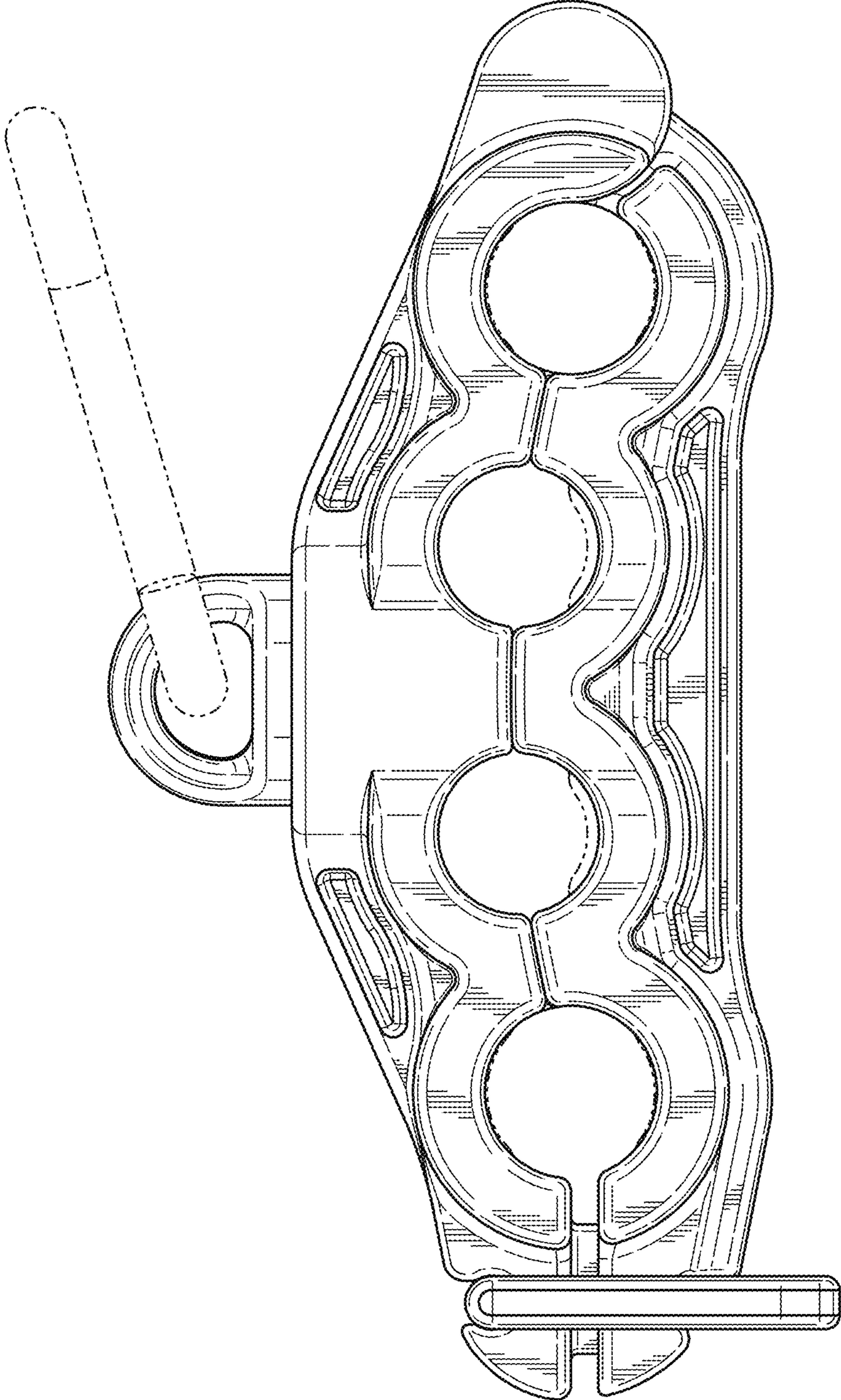


FIG. 3

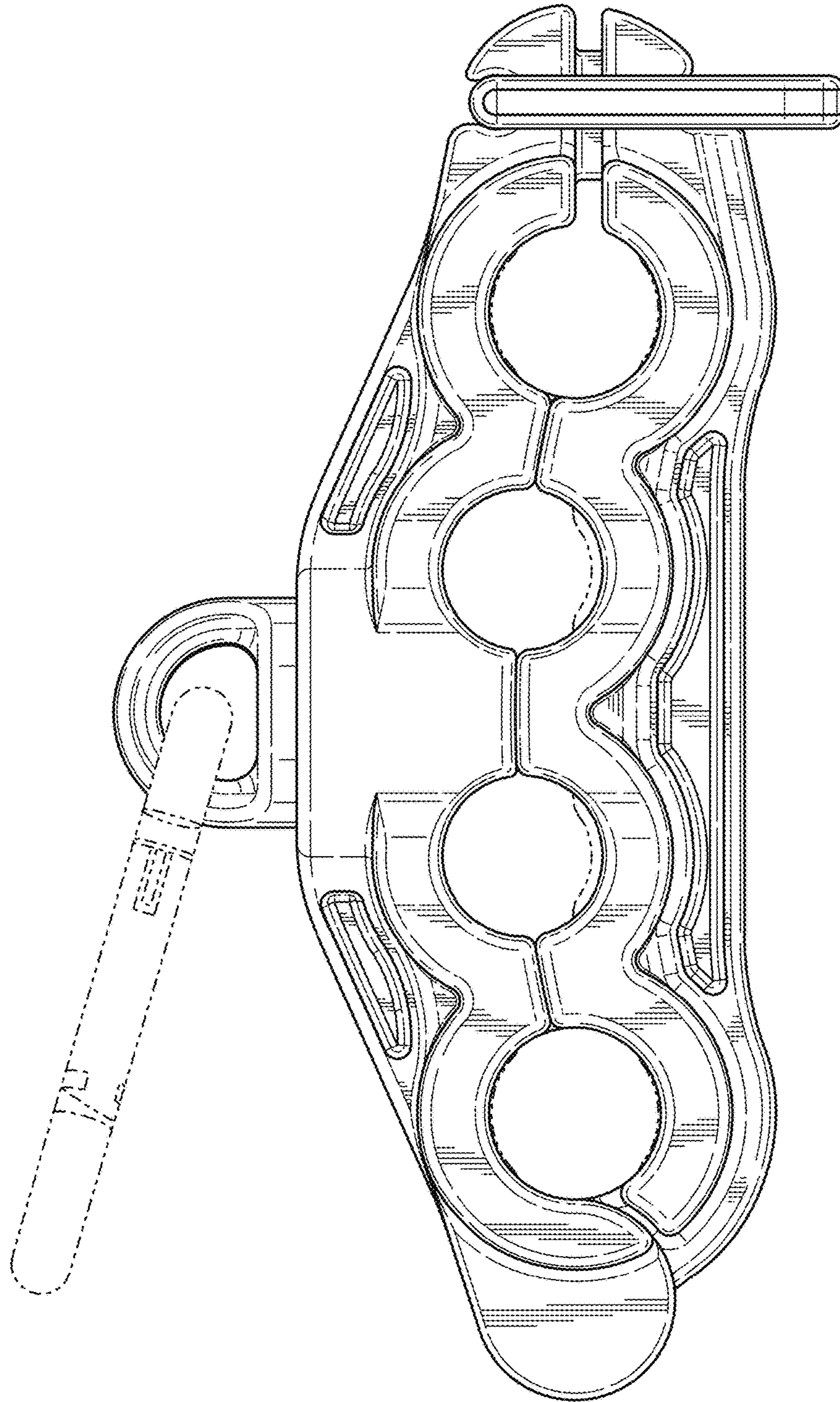


FIG. 4

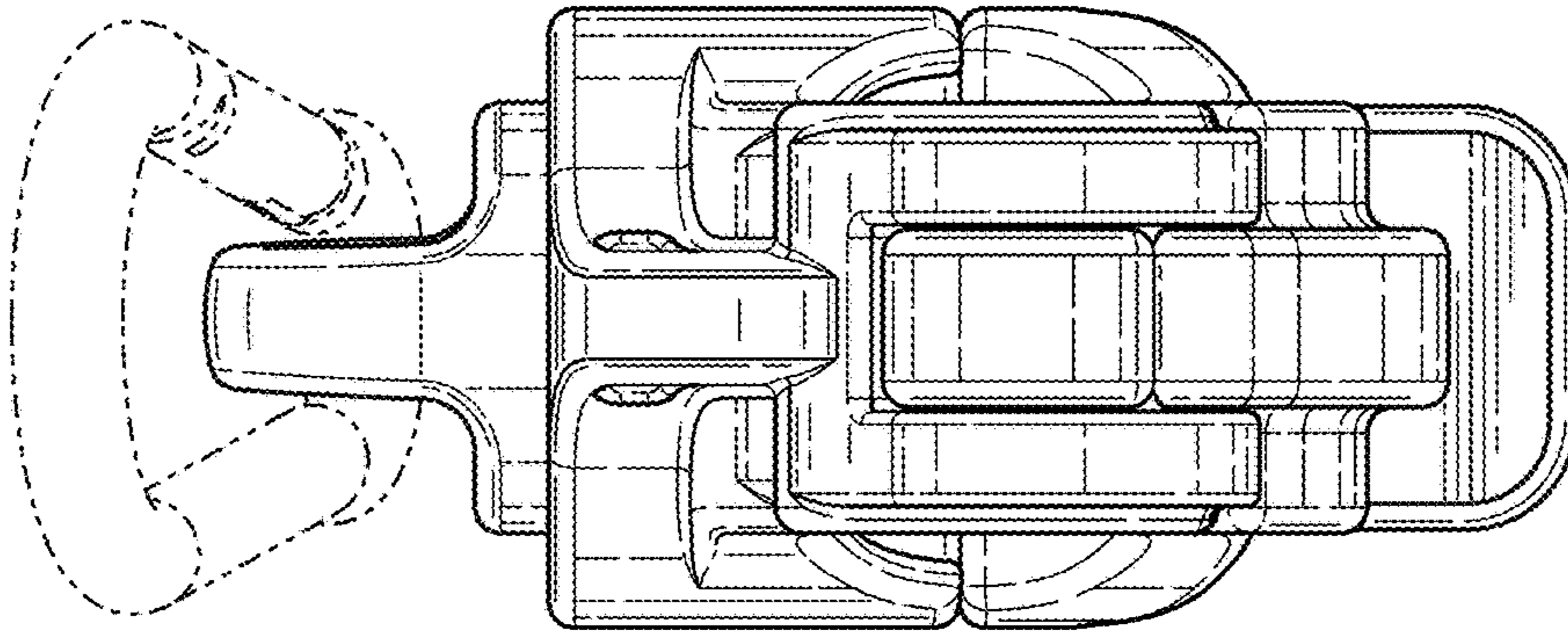


FIG. 6

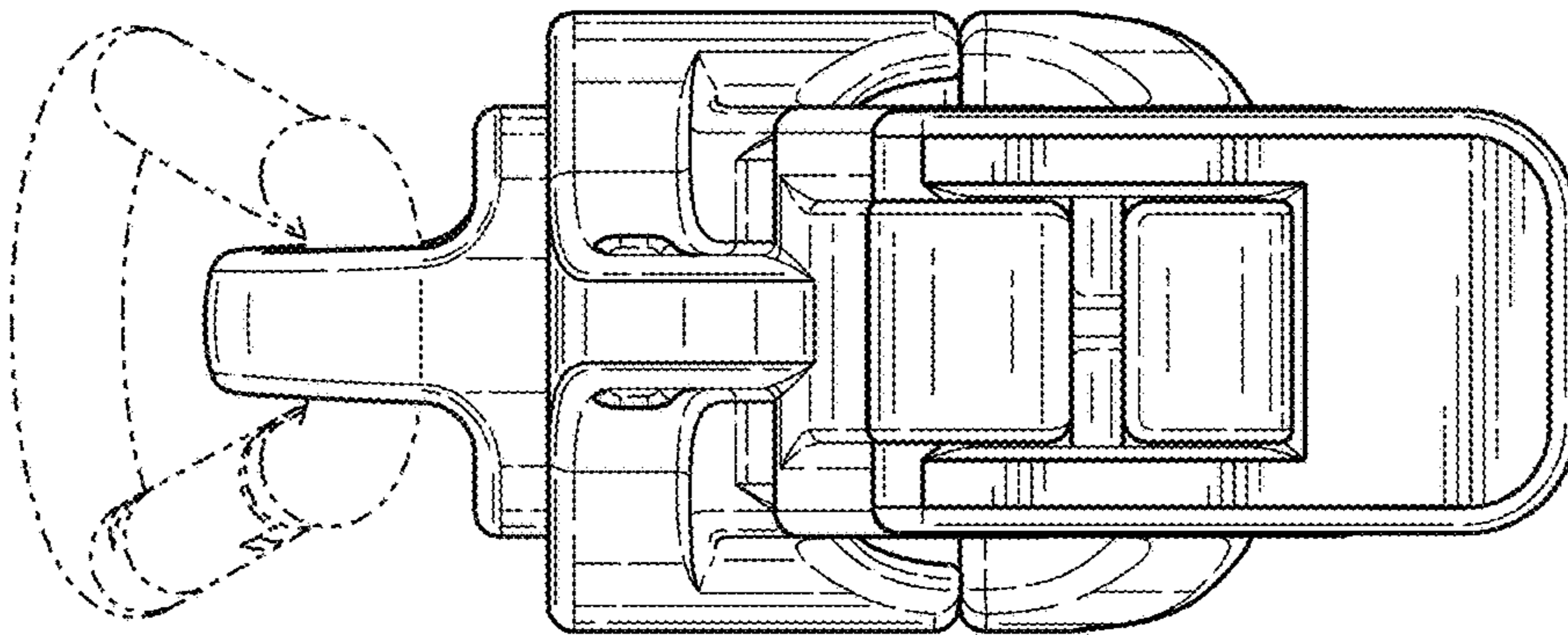


FIG. 5

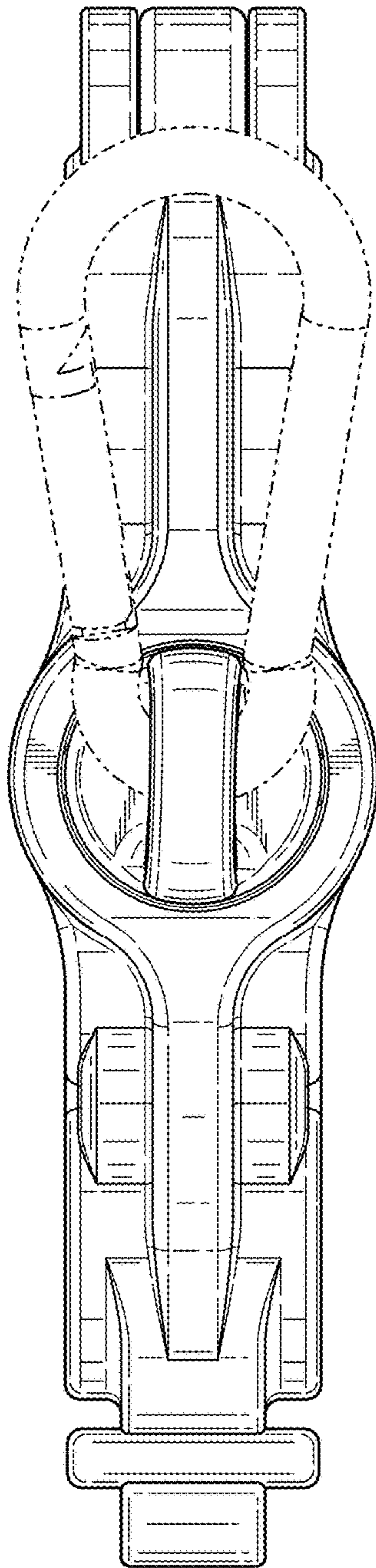


FIG. 7

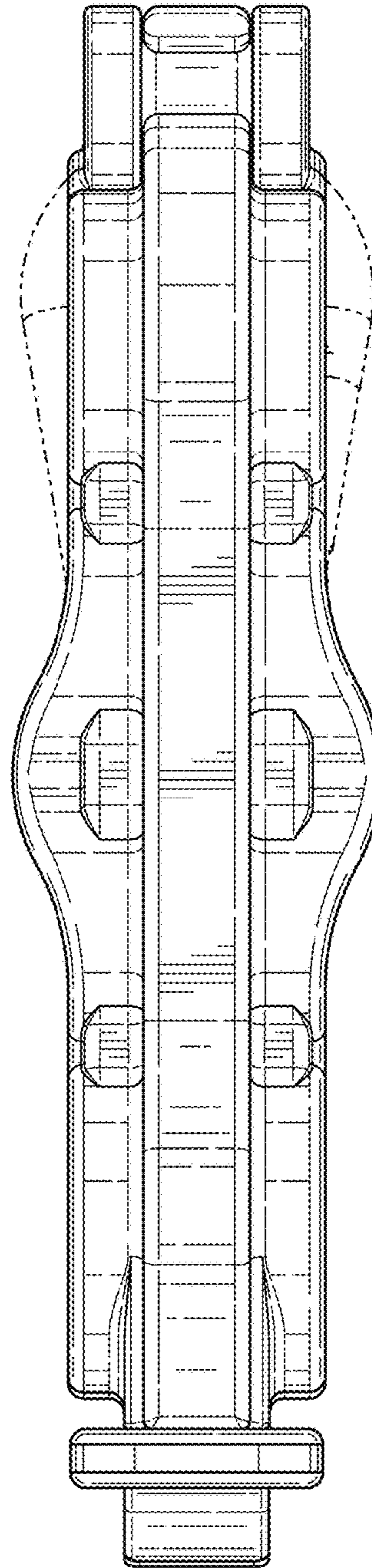


FIG. 8