



US00D795050S

(12) **United States Design Patent** (10) **Patent No.:** **US D795,050 S**  
**Kim** (45) **Date of Patent:** **\*\* Aug. 22, 2017**

(54) **MULTI-PURPOSE CLIP**  
(71) Applicant: **Sunny Kim**, Astoria, NY (US)  
(72) Inventor: **Sunny Kim**, Astoria, NY (US)  
(73) Assignee: **HELEN OF TROY LIMITED**, St. Michael (BB)  
(\*\*) Term: **15 Years**  
(21) Appl. No.: **29/564,689**  
(22) Filed: **May 14, 2016**  
(51) **LOC (10) Cl.** ..... **08-08**  
(52) **U.S. Cl.**  
USPC ..... **D8/395**  
(58) **Field of Classification Search**  
USPC .... D8/71, 72, 373, 354, 383, 394-396, 499;  
D19/56, 65, 68, 196, 199, 203; 24/22,  
24/20 S, 115 R, 546, 563, 910, 343, 67.9,  
24/67.3, 6, 13, 340, 351, 354, 355, 570,  
24/327, 334; 248/74.2, 215, 227.1, 49,  
248/300, 301, 316.7, 51, 489, 23.81;  
D28/39, 40, 42, 43; D32/60-64;  
D11/200, 202, 203, 206, 210, 212, 215,  
D11/220  
CPC ... E04F 21/18; A47C 9/00; A47C 7/66; A47C  
21/022; B65G 21/20; B65G 21/2072;  
B65G 7/12; A01K 97/10  
See application file for complete search history.

D514,434 S \* 2/2006 Mariano ..... D8/395  
D521,369 S \* 5/2006 Sollberger ..... D8/395  
D522,850 S \* 6/2006 Mandel ..... D8/395  
D565,662 S \* 4/2008 Reardon ..... D19/65  
D608,629 S \* 1/2010 Daugherty ..... D8/395  
D615,394 S \* 5/2010 Pearson ..... D8/395  
D758,839 S \* 6/2016 Kaalberg ..... D8/395

**OTHER PUBLICATIONS**

Staples Staples® Cubicle Clips, 4/Pack, [http://www.staples.ca/en/Staples-Cubicle-Clips-4-Pack/product\\_132511\\_1-CA\\_1\\_20001](http://www.staples.ca/en/Staples-Cubicle-Clips-4-Pack/product_132511_1-CA_1_20001).  
Jan. 19, 2017. shown in p. 1, Item # 132511.\*

\* cited by examiner

*Primary Examiner* — Susan E Krakower  
*Assistant Examiner* — Michael Maharajh

(57) **CLAIM**

The ornamental design for a multi-purpose clip, as shown, and described.

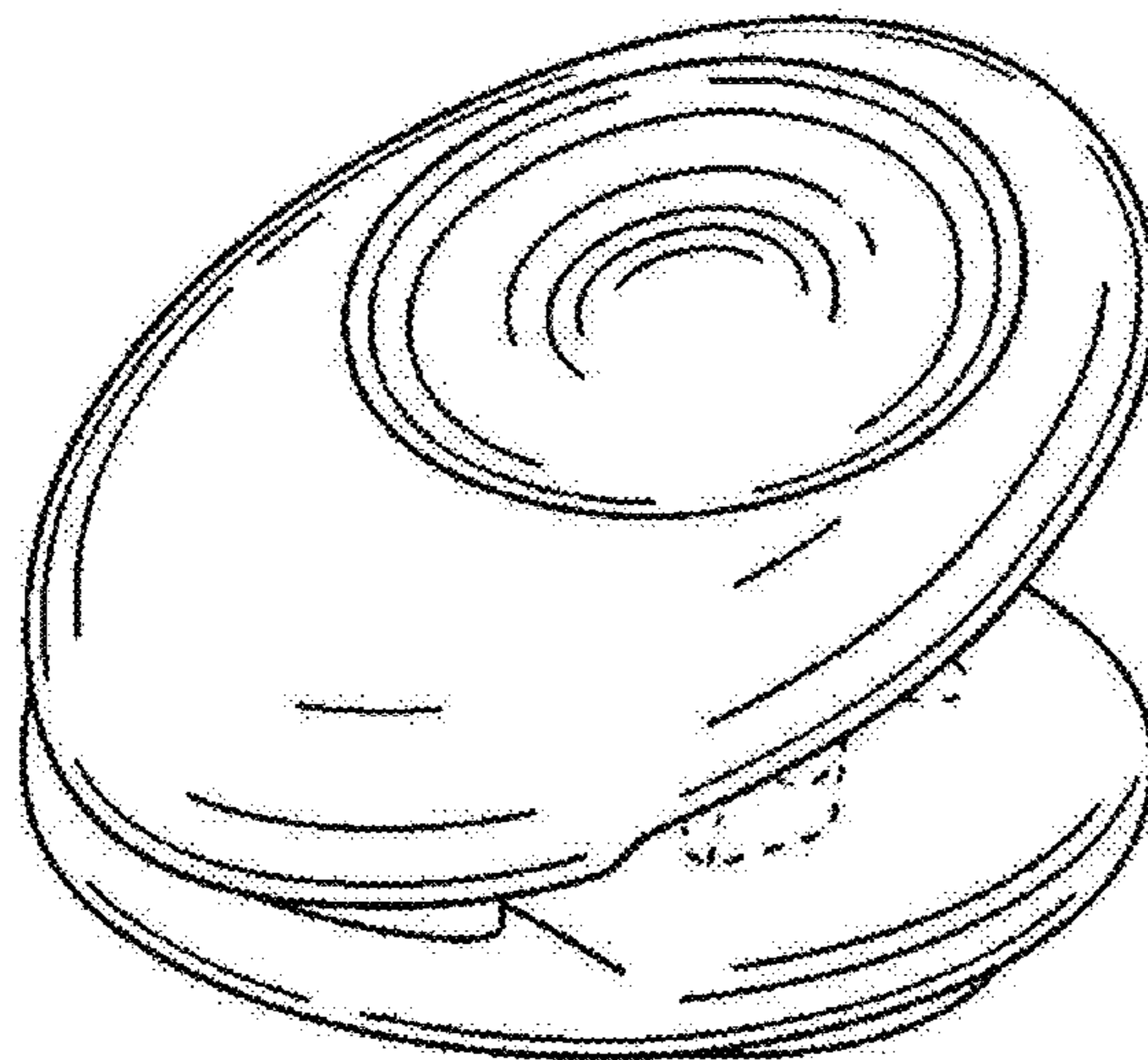
**DESCRIPTION**

FIG. 1 is a perspective view of a multi-purpose clip, showing my new design;  
FIG. 2 is a top plan view thereof;  
FIG. 3 is a bottom plan view thereof;  
FIG. 4 is a left side elevational view thereof;  
FIG. 5 is a right side elevational view thereof;  
FIG. 6 is a front elevational view thereof; and,  
FIG. 7 is a rear elevational view thereof.  
The broken lines shown in the figures are for the purpose of illustrating portions of the multi-purpose clip and form no part of the claimed design.

(56) **References Cited**  
U.S. PATENT DOCUMENTS

D445,834 S \* 7/2001 Huang ..... D19/65  
D478,628 S \* 8/2003 Sheldon ..... D19/65

**1 Claim, 7 Drawing Sheets**



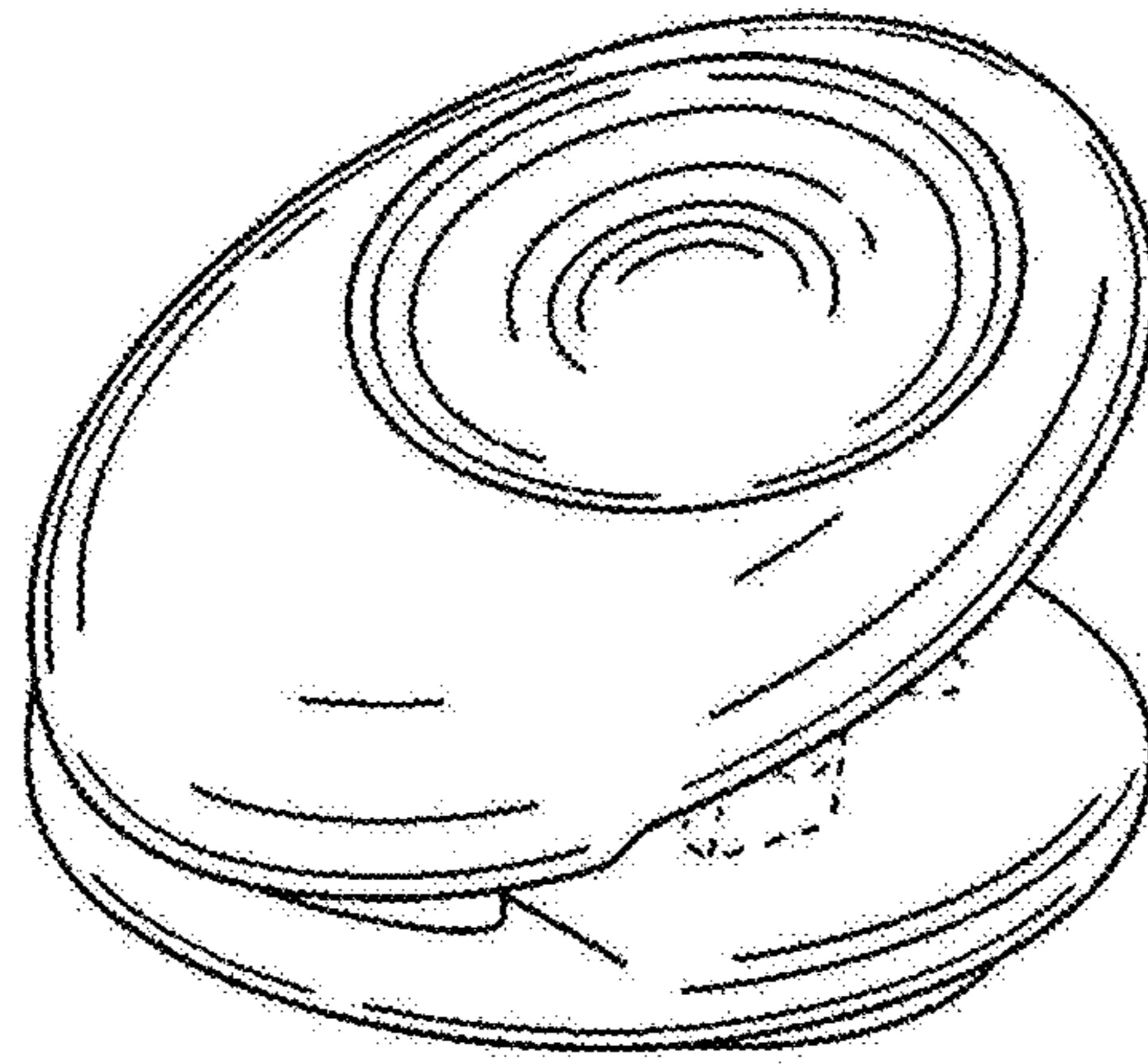


FIG. 1

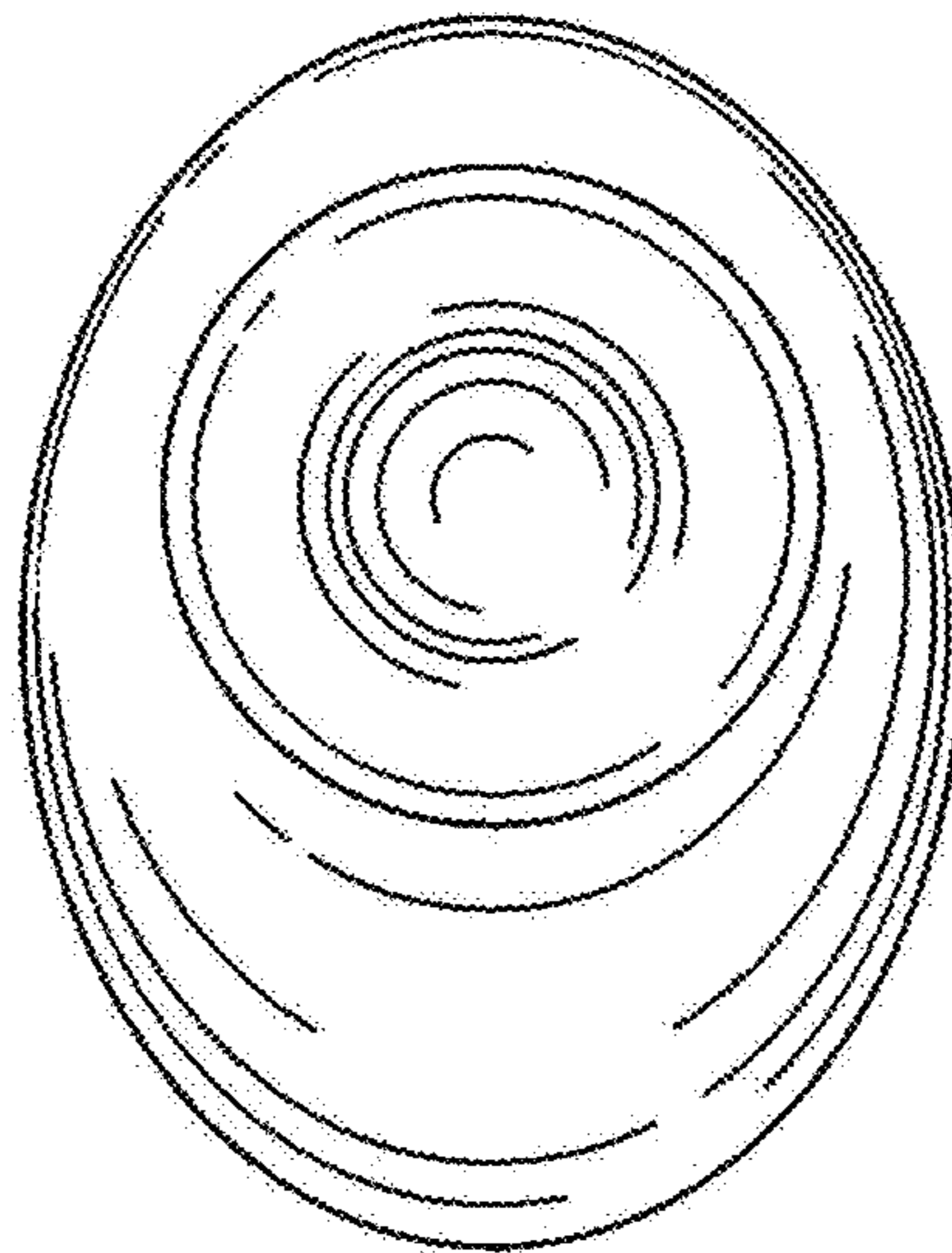


FIG. 2

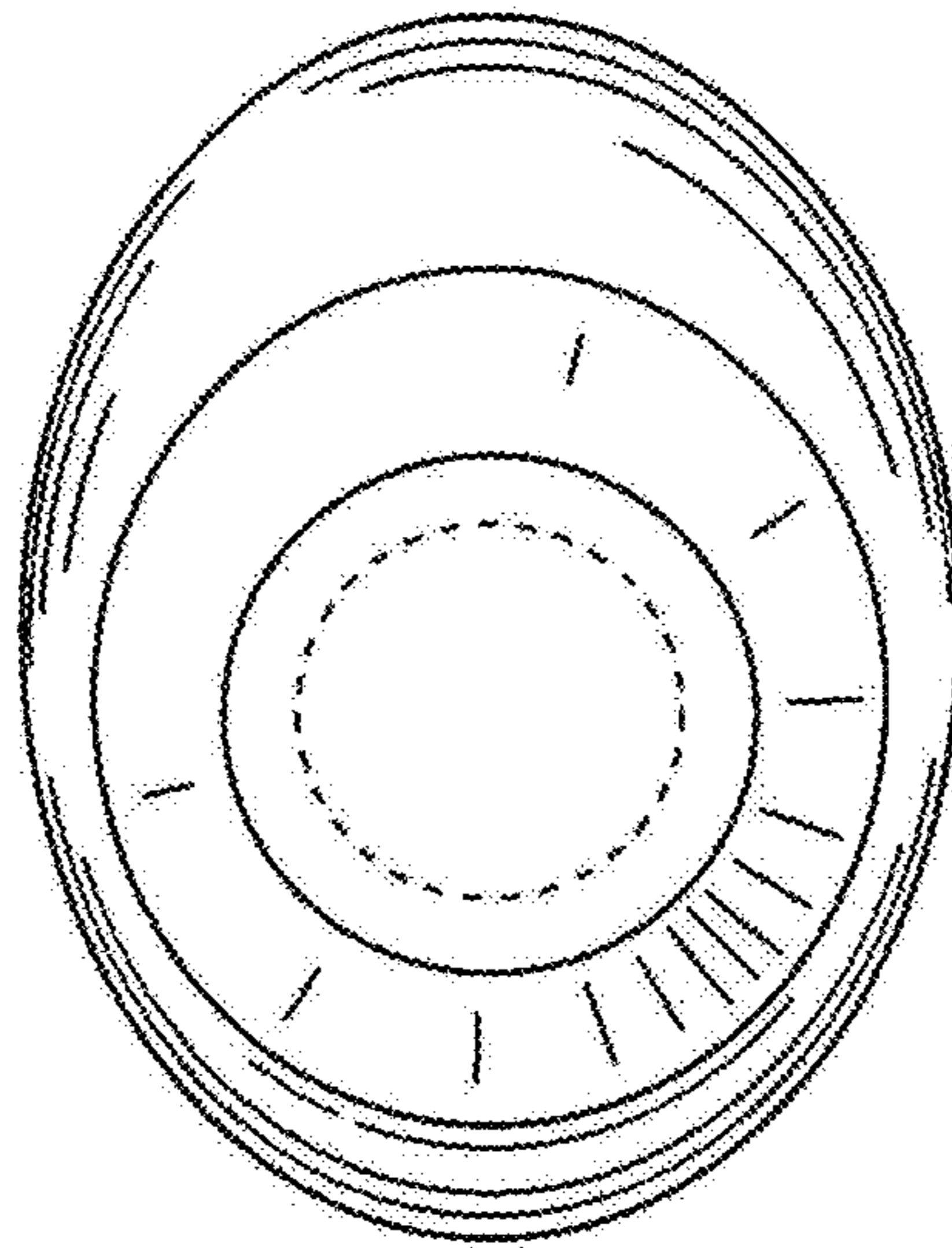


FIG. 3

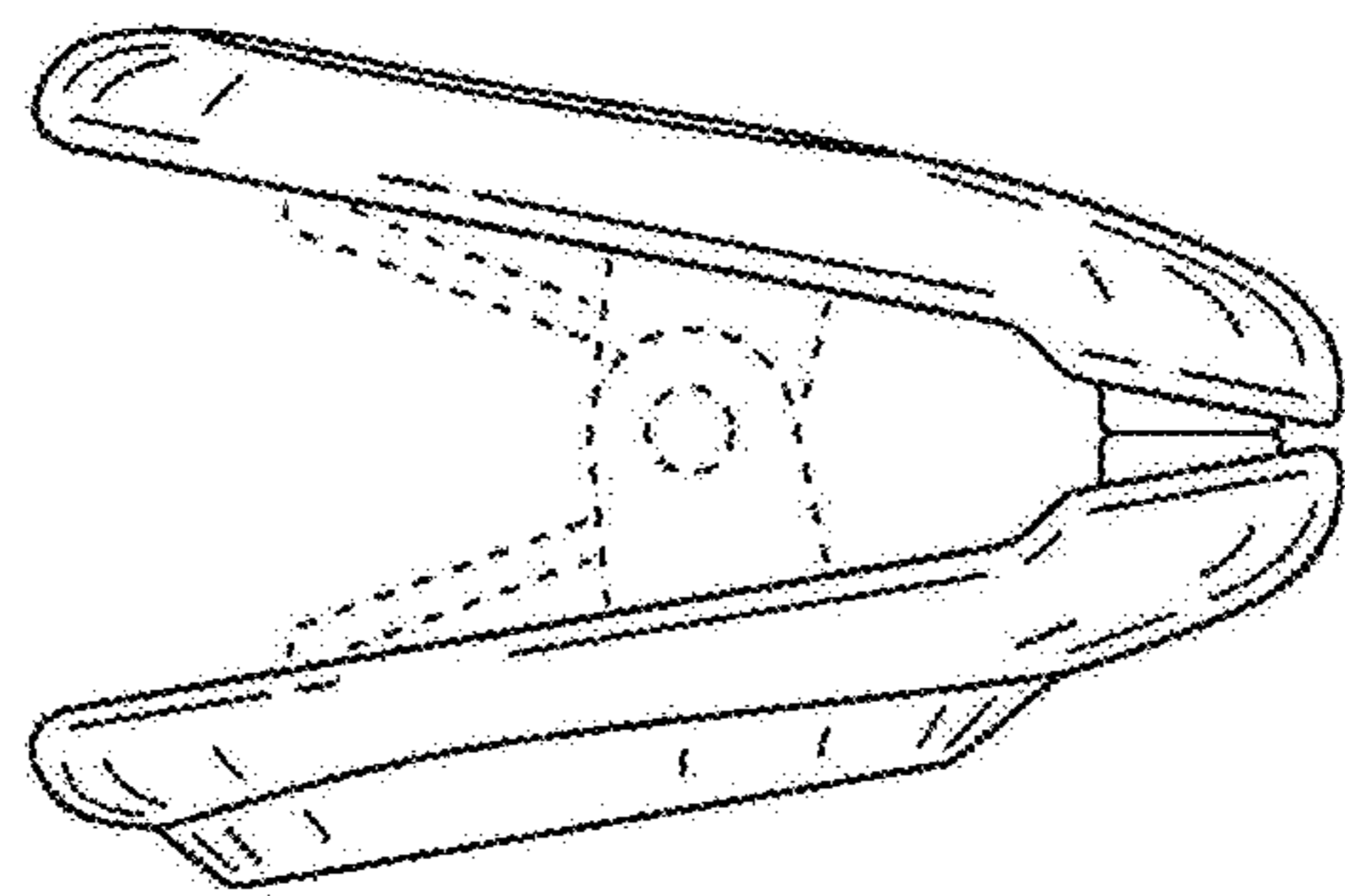


FIG. 4

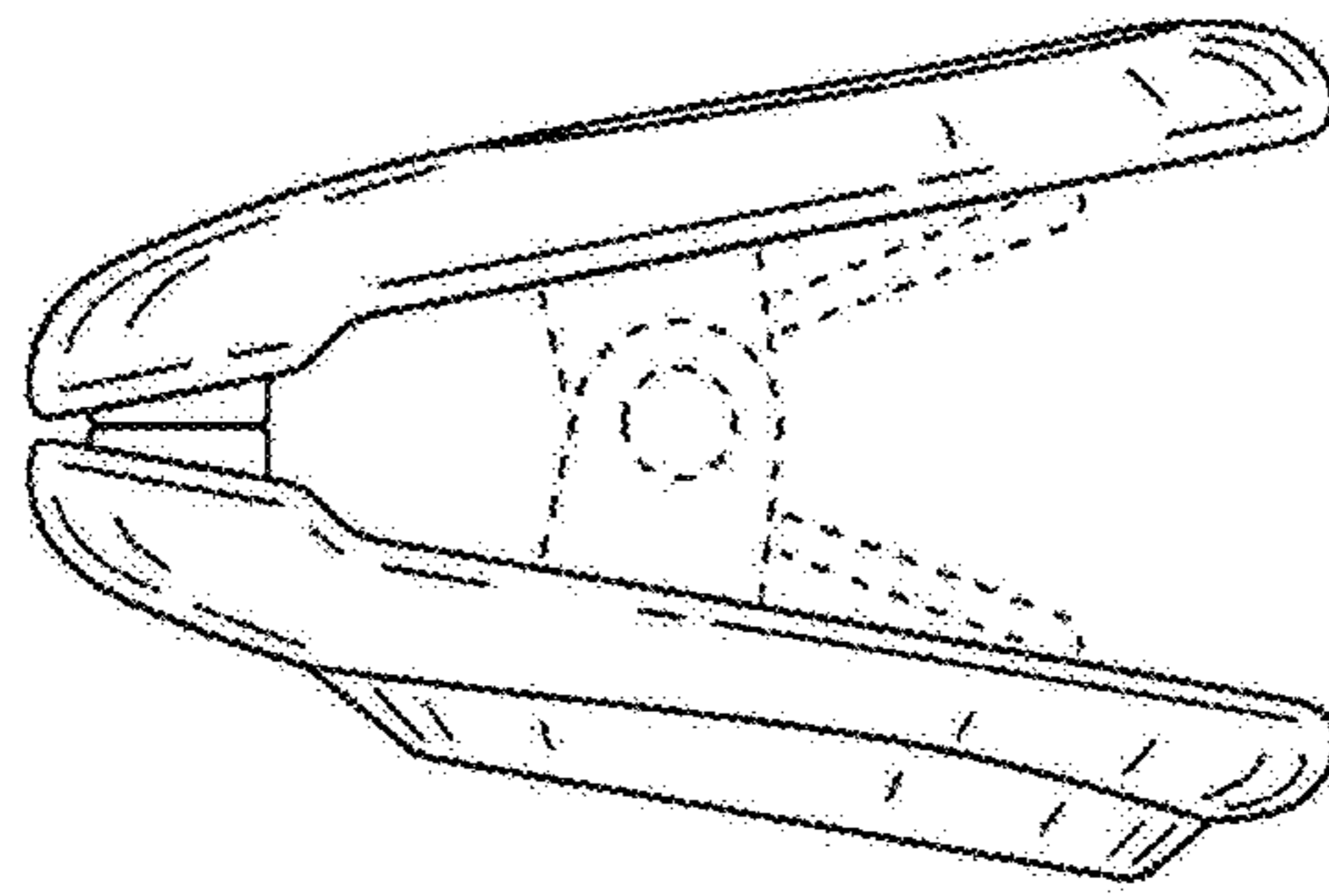


FIG. 5

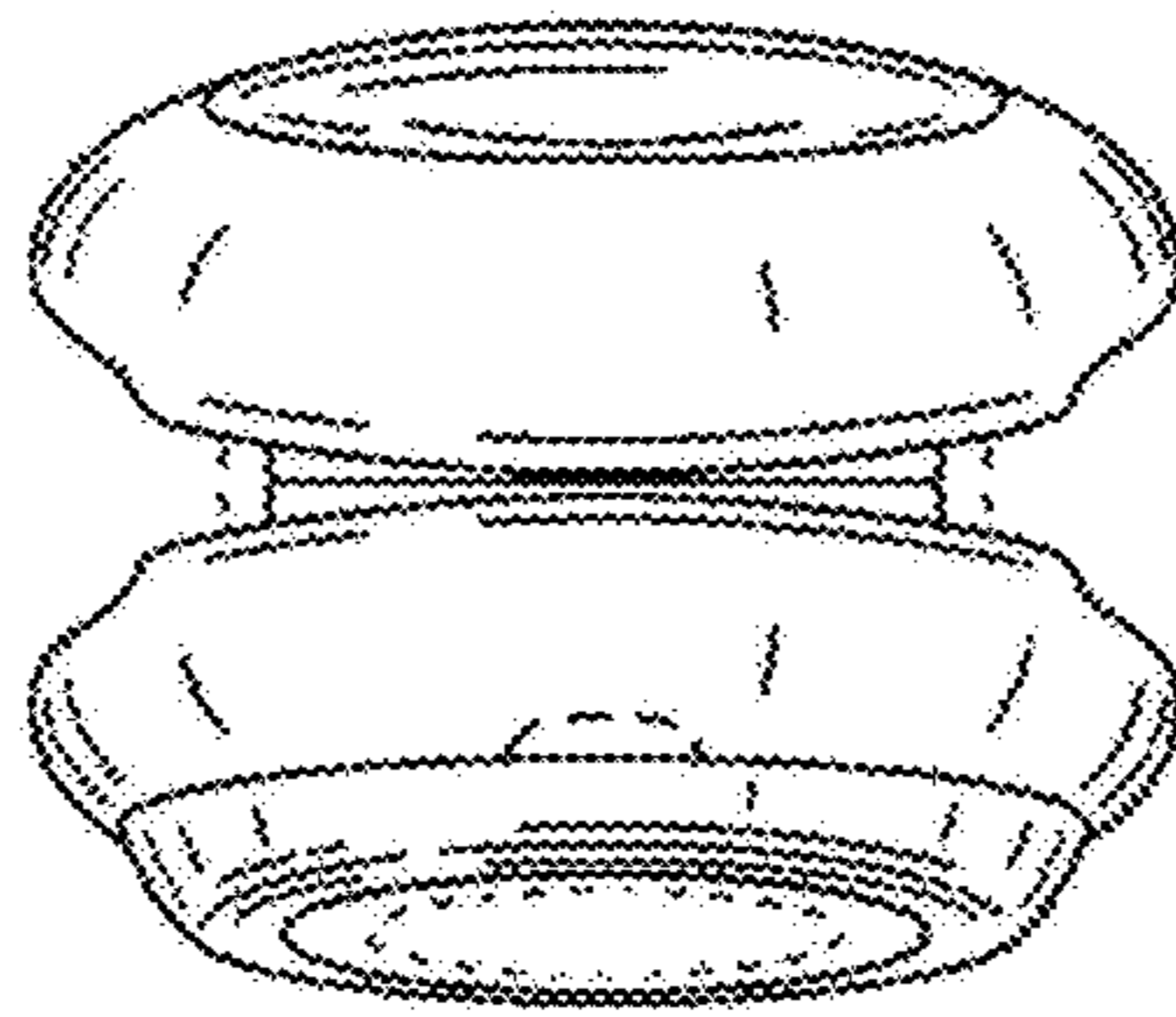


FIG. 6



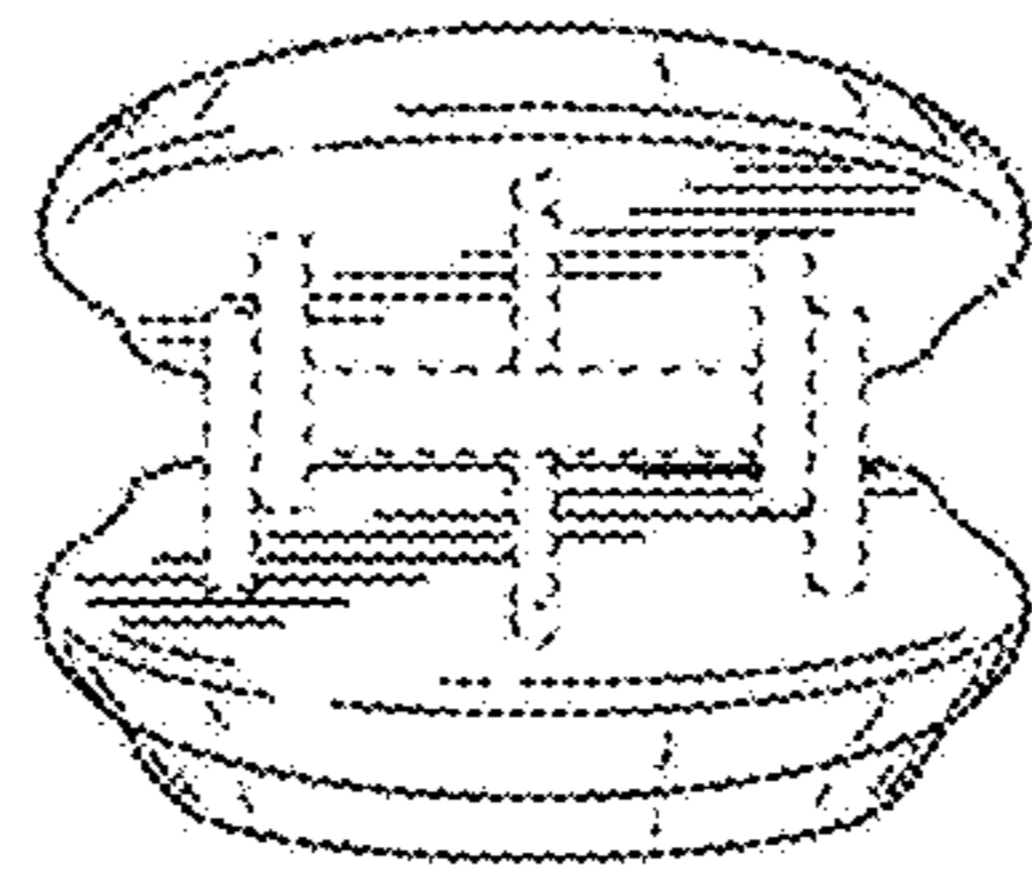


FIG. 7