



US00D795049S

(12) **United States Design Patent** (10) **Patent No.:** **US D795,049 S**
Brigham et al. (45) **Date of Patent:** **** Aug. 22, 2017**

(54) **DECK BOARD FASTENER**
(71) Applicant: **SIMPSON STRONG-TIE COMPANY INC.**, Pleasanton, CA (US)

1,714,738 A 5/1929 Elmendorf
1,723,306 A 8/1929 Sipe
1,990,001 A 2/1935 Rutten
(Continued)

(72) Inventors: **Gueary Andrew Brigham**, Hendersonville, TN (US); **Jeremy Scott Park**, Bethpage, TN (US)

FOREIGN PATENT DOCUMENTS

CA 2287104 A1 1/2001
CH 278212 10/1951
(Continued)

(73) Assignee: **SIMPSON STRONG-TIE COMPANY INC.**, Pleasanton, CA (US)

Primary Examiner — Sandra Snapp
Assistant Examiner — Ieisha Price

(**) Term: **15 Years**

(74) *Attorney, Agent, or Firm* — Shartsis Friese LLP; Cecily Anne O'Regan

(21) Appl. No.: **29/568,620**

(57) **CLAIM**

(22) Filed: **Jun. 20, 2016**

The ornamental design for a deck board fastener, as shown and described.

(51) **LOC (10) Cl.** **08-08**

(52) **U.S. Cl.**
USPC **D8/382**

DESCRIPTION

(58) **Field of Classification Search**
USPC D8/382, 349, 354, 363, 373, 374, 380, D8/394, 499
CPC Y10T 403/4602; Y10T 403/553; Y10T 403/75; E04F 15/02; E04F 15/04; E04F 15/02183; E04F 2015/02088; E04F 2015/02094; E04F 2201/05; E04F 2015/02116; E04F 2015/02122; E04F 2015/02077; F16B 5/002

FIG. 1 is a top perspective view of a deck board fastener without the clip engaged;
FIG. 2 is a top perspective view of a deck board fastener with the clip engaged;
FIG. 3 is a bottom perspective view of a deck board fastener of FIG. 2;
FIG. 4 is a top plan view of a deck board fastener with the clip engaged of FIG. 2;
FIG. 5 is a bottom plan view of a deck board fastener of FIG. 2;
FIG. 6 is a left side view of a deck board fastener of FIG. 2;
FIG. 7 is a right side view of a deck board fastener of FIG. 2;
FIG. 8 is a front view of a deck board fastener of FIG. 2; and, FIG. 9 is a back view of a deck board fastener of FIG. 2.
The broken lines in the drawings illustrate portions of the deck board fastener and form no part of the claimed design.

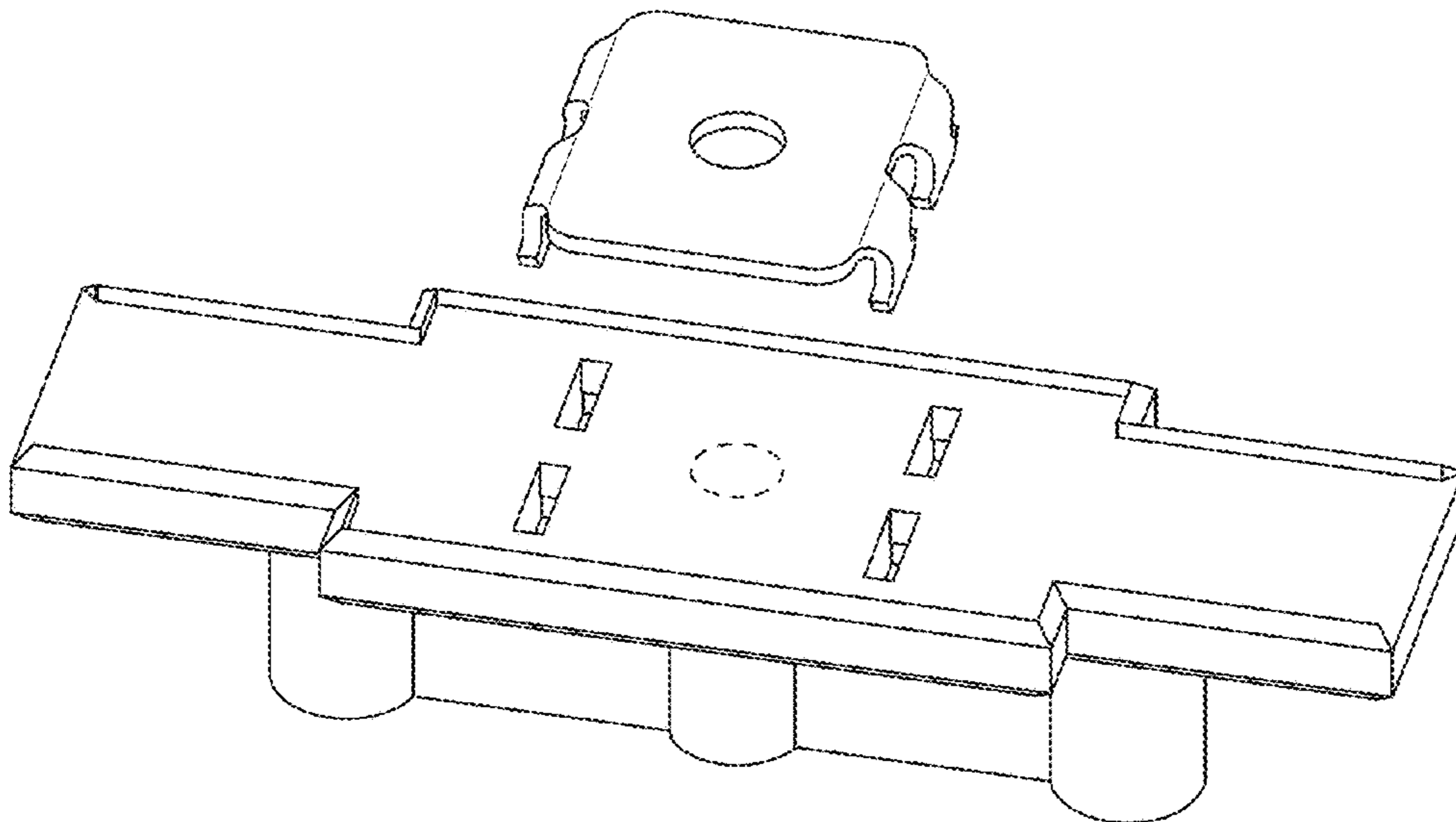
See application file for complete search history.

(56) **References Cited**

U.S. PATENT DOCUMENTS

186,463 A 1/1877 Dickerson
466,995 A 1/1892 Abramson
651,884 A 6/1900 Platz
695,722 A 3/1902 Heilmann
1,184,080 A 5/1916 DiArcy
1,241,885 A 10/1917 Roeder

1 Claim, 7 Drawing Sheets



(56)

References Cited

U.S. PATENT DOCUMENTS

2,201,129	A	5/1940	Weiland	6,032,431	A	3/2000	Sugiyama
2,332,081	A	10/1943	Hunt et al.	D427,050	S	6/2000	Bryan
2,337,156	A	12/1943	Elmendorf	D435,433	S	12/2000	Miller et al.
2,362,252	A	11/1944	Ellinwood	6,298,533	B1	10/2001	Nishimura et al.
2,398,603	A	4/1946	Soderberg	6,314,699	B1	11/2001	West
2,406,387	A	8/1946	Lank	D451,785	S	12/2001	Chaney et al.
2,526,116	A	10/1950	Browne	6,363,677	B1	4/2002	Chen et al.
3,045,294	A	7/1962	Livezey, Jr.	6,367,224	B1	4/2002	Leek
3,152,628	A	10/1964	Strain et al.	6,402,415	B1	6/2002	Eberle, III
3,293,106	A	12/1966	Cocco et al.	D461,116	S	8/2002	Aoki
3,319,983	A	5/1967	Jules	6,440,525	B1	8/2002	Kessler et al.
3,458,618	A	7/1969	Burns et al.	D462,255	S	9/2002	Aoki
3,619,963	A	11/1971	Omholt	D462,601	S	9/2002	Chaney
3,705,002	A	12/1972	Varlonga	6,442,908	B1	9/2002	Naccarato et al.
3,845,860	A	11/1974	Ladouceur et al.	6,449,918	B1	9/2002	Nelson
3,890,753	A	6/1975	Johansen	D464,873	S	10/2002	Nemoto
3,899,116	A	8/1975	Mims	6,460,306	B1	10/2002	Nelson
3,973,151	A	8/1976	Bowcott	6,470,641	B1	10/2002	Faure
4,033,083	A	7/1977	Fritz et al.	6,471,434	B2	10/2002	Chin et al.
4,075,924	A	2/1978	McSherry et al.	6,484,467	B2	11/2002	Crout
4,106,962	A	8/1978	Adams et al.	D470,039	S	2/2003	Pelc
4,124,050	A	11/1978	Ackerman	6,651,398	B2	11/2003	Gregori
4,154,172	A	5/1979	Curtis, Jr.	6,651,400	B1	11/2003	Murphy
D253,865	S	1/1980	Hagglund	6,652,208	B2	11/2003	Gillis
4,181,061	A	1/1980	McSherry	D484,779	S	1/2004	Shibuya
D270,516	S	9/1983	Achille	D485,160	S	1/2004	Pelc
D272,043	S	1/1984	Cowdroy	6,711,864	B2	3/2004	Erwin
4,449,346	A	5/1984	Tremblay	D488,373	S	4/2004	Eberle
4,454,699	A	6/1984	Strobl	6,810,633	B2	11/2004	Harris
4,497,148	A	2/1985	Lopez	6,851,884	B2	2/2005	Eberle
4,527,375	A	7/1985	Braginetz	6,871,467	B2	3/2005	Hafner
4,599,841	A	7/1986	Haid	D504,609	S	5/2005	Ferguson
4,641,988	A	2/1987	Ganner	D515,910	S	2/2006	Gates et al.
D291,057	S	7/1987	Shiraishi	6,997,659	B2	2/2006	Vrana et al.
4,682,458	A	7/1987	Sparrow	7,052,200	B2	5/2006	Harris
4,704,057	A	11/1987	McSherry	D547,168	S	7/2007	Churchill
4,716,704	A	1/1988	Murr	D547,169	S	7/2007	Harris
4,736,507	A	4/1988	Berecz et al.	D554,976	S	11/2007	Hutter, III
D295,496	S	5/1988	Burke et al.	D556,017	S	11/2007	Hutter, III
4,925,141	A	5/1990	Classen	7,299,598	B2	11/2007	Gembala et al.
5,004,027	A	4/1991	Legler et al.	D562,122	S	2/2008	Leman et al.
5,056,286	A	10/1991	Bokor	7,383,663	B2	6/2008	Pacione
5,071,280	A	12/1991	Turner	D573,454	S	7/2008	Eberle, III
5,160,211	A	11/1992	Gilb	7,398,623	B2	7/2008	Martel et al.
D331,470	S	12/1992	Mitchell et al.	7,409,803	B2	8/2008	Grohman
5,182,891	A	2/1993	Slocum	7,427,180	B2	9/2008	Ladouceur et al.
5,243,804	A	9/1993	Therrien et al.	D589,334	S	3/2009	Hotchkiss, III
5,245,808	A	9/1993	Grunewald et al.	7,496,993	B2	3/2009	Kosidlo et al.
5,250,058	A	10/1993	Miller et al.	7,516,586	B2	4/2009	Riccitelli
5,251,996	A	10/1993	Hiller et al.	7,578,105	B2	8/2009	Eberle
5,351,392	A	10/1994	Wing et al.	D600,105	S	9/2009	Harris
5,359,954	A	11/1994	Kordelin	D601,881	S	10/2009	Aichmann
D354,432	S	1/1995	Starman	7,600,353	B2	10/2009	Hafner
5,377,732	A	1/1995	Fujii et al.	7,603,814	B1	10/2009	Hartmann et al.
5,394,667	A	3/1995	Nystrom	D604,599	S	11/2009	Prichard, Jr. et al.
5,419,649	A	5/1995	Gilb	D610,440	S	2/2010	Prichard, Jr. et al.
5,458,433	A	10/1995	Stastny	D615,847	S	5/2010	Tezak et al.
5,480,117	A	1/1996	Fleming	D621,245	S	8/2010	Heindl
5,499,440	A	3/1996	Satoh et al.	D621,246	S	8/2010	Heindl
5,529,428	A	6/1996	Bischof	D622,131	S	8/2010	Tezak et al.
5,564,248	A	10/1996	Callies	D622,579	S	8/2010	Heindl
5,603,580	A	2/1997	Leek et al.	7,805,902	B2	10/2010	Martel
5,619,834	A	4/1997	Chen	7,874,113	B2	1/2011	Eberle
D380,667	S	7/1997	Kanamori et al.	7,984,599	B2	7/2011	Snell et al.
D382,466	S	8/1997	Hirose	8,011,153	B2	9/2011	Orchard
5,660,016	A	8/1997	Erwin et al.	8,066,464	B1	11/2011	Dyke
5,704,181	A	1/1998	Fisher et al.	D658,044	S	4/2012	Cheng
D392,877	S	3/1998	Eguchi	8,161,702	B2	4/2012	Eberle
5,730,544	A	3/1998	Dils et al.	8,191,327	B2	6/2012	Griffiths et al.
5,743,672	A	4/1998	Cline	D664,836	S	8/2012	Kikuchi
5,746,535	A	5/1998	Kohler	D665,657	S	8/2012	Pelc
D396,406	S	7/1998	Eguchi	8,256,614	B1	9/2012	Wadsworth
D410,194	S	5/1999	Hilton et al.	8,287,206	B2	10/2012	Eberle
D413,508	S	9/1999	Shibao	8,291,666	B1	10/2012	Garrison
6,012,256	A	1/2000	Aschheim	D671,394	S	11/2012	Derry
				8,393,125	B2	3/2013	Martel
				8,464,488	B2	6/2013	Pelc
				8,544,229	B2	10/2013	Kilgore et al.
				8,555,570	B2	10/2013	Martel

(56)

References Cited

U.S. PATENT DOCUMENTS

8,615,958 B2 12/2013 Kilgore et al.
 D697,390 S 1/2014 Petry
 8,672,600 B2 3/2014 Reznar et al.
 D708,936 S 7/2014 Bridgewater et al.
 8,806,829 B2 8/2014 Pelc et al.
 D713,242 S 9/2014 Magan
 9,003,624 B2 4/2015 Wadsworth
 D731,874 S 6/2015 Lin
 D732,925 S 6/2015 Lin
 D738,194 S 9/2015 Baldoni et al.
 D740,113 S 10/2015 Olenick
 9,200,456 B2 12/2015 Murphy
 D751,369 S 3/2016 Baldoni et al.
 9,369,936 B2 6/2016 Chin et al.
 D769,109 S * 10/2016 Kaiser D8/382
 D774,385 S * 12/2016 Kaiser D8/382
 2002/0059766 A1 5/2002 Gregori
 2002/0121064 A1 * 9/2002 Erwin E01C 5/22
 52/586.1
 2003/0123924 A1 7/2003 Eberle
 2004/0020152 A1 * 2/2004 Harris, Sr. E04B 5/12
 52/582.1
 2004/0045244 A1 * 3/2004 Hafner E04B 5/12
 52/489.1
 2004/0182034 A1 9/2004 Eberle, III
 2004/0184878 A1 9/2004 Eberle, III
 2005/0063771 A1 3/2005 Harris
 2005/0252156 A1 11/2005 Martel et al.
 2006/0107612 A1 5/2006 Pelc
 2006/0147672 A1 7/2006 Ruiz
 2006/0283122 A1 12/2006 Burgess et al.
 2007/0066096 A1 3/2007 Gillis et al.
 2007/0289249 A1 12/2007 Martel
 2008/0222993 A1 9/2008 Prichard et al.
 2008/0240886 A1 10/2008 Martel et al.
 2008/0279654 A1 11/2008 Deschamps
 2009/0019805 A1 1/2009 Zanelli
 2009/0217495 A1 9/2009 Tipps et al.
 2010/0180532 A1 7/2010 Martel
 2011/0123290 A1 5/2011 Wadsworth
 2012/0110944 A1 5/2012 Hess
 2013/0022392 A1 1/2013 Eberle, III

2013/0104493 A1 5/2013 Orchard
 2013/0340377 A1 12/2013 Shadwell
 2014/0174025 A1 6/2014 Kinnunen et al.
 2014/0186109 A1 7/2014 Wadsworth
 2014/0294535 A1 10/2014 Waterman et al.
 2015/0202678 A1 7/2015 Wadsworth
 2015/0275951 A1 10/2015 Shadwell et al.
 2015/0354204 A1 * 12/2015 Kinnunen E04F 15/02044
 248/228.5

FOREIGN PATENT DOCUMENTS

CN 301456141 S 2/2011
 CN 302533206 S 8/2013
 CN 302813045 5/2014
 DE 372483 3/1923
 DE 4036338 A1 6/1991
 EP 863317 A2 9/1998
 FR 1217468 12/1959
 FR 1556252 12/1968
 FR 2647837 A1 12/1990
 GB 1350754 4/1974
 GB 1567008 A 5/1980
 GB 2124672 A 2/1984
 JP 4371657 B2 12/1992
 JP 07189451 A 7/1995
 WO 9409280 4/1994
 WO 0028170 A1 5/2000
 WO 03016727 A 3/2003
 WO 2004072405 A1 8/2004
 WO 2005103509 A1 11/2005
 WO 2005121569 A1 12/2005
 WO 2008070285 A1 6/2008
 WO 2009099664 A1 8/2009
 WO 2010071930 A1 7/2010
 WO 2011045992 A1 4/2011
 WO 2011163653 A2 12/2011
 WO 2013007878 A1 1/2013
 WO 2013076585 A2 5/2013
 WO D080520003 9/2013
 WO 2014058958 A1 4/2014
 WO 2014128340 A1 8/2014
 WO 2014179838 A1 11/2014
 WO D085122001 12/2014

* cited by examiner

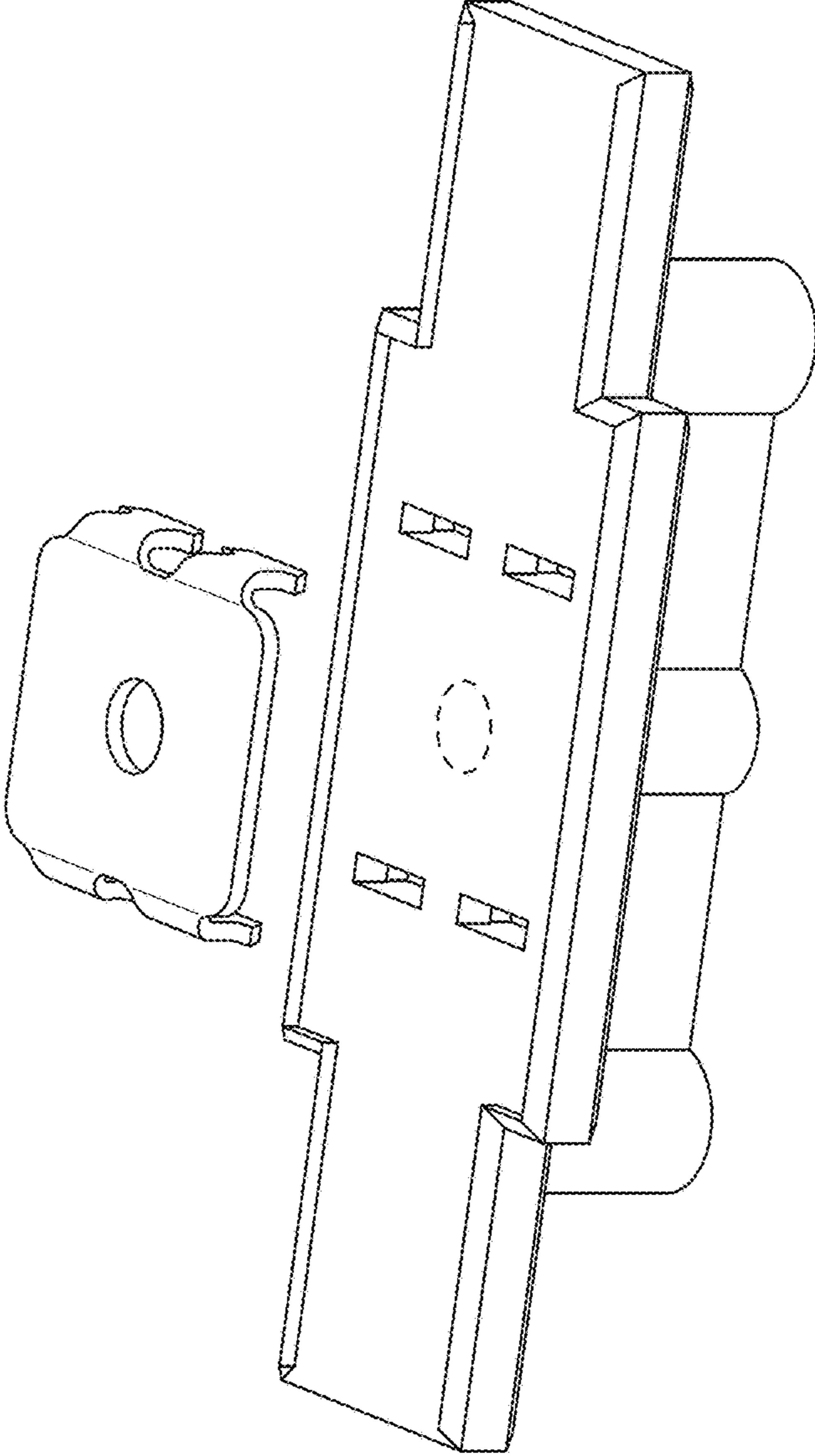


Fig. 1

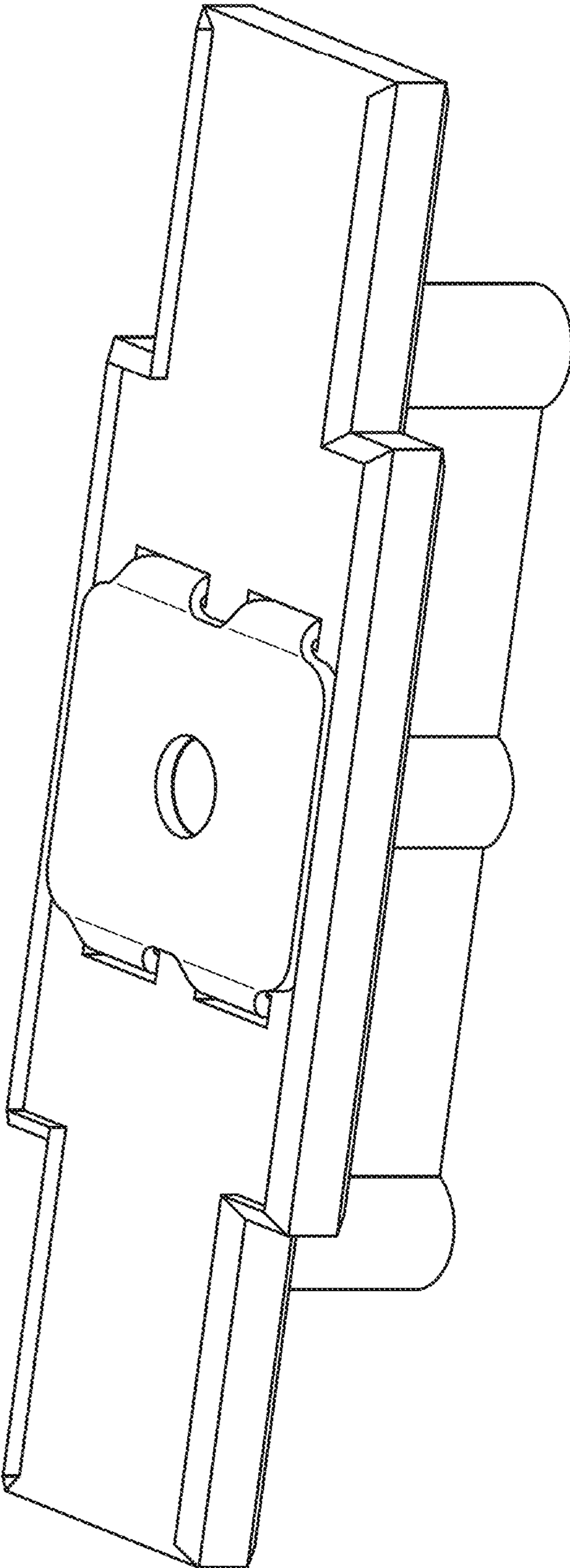


Fig. 2

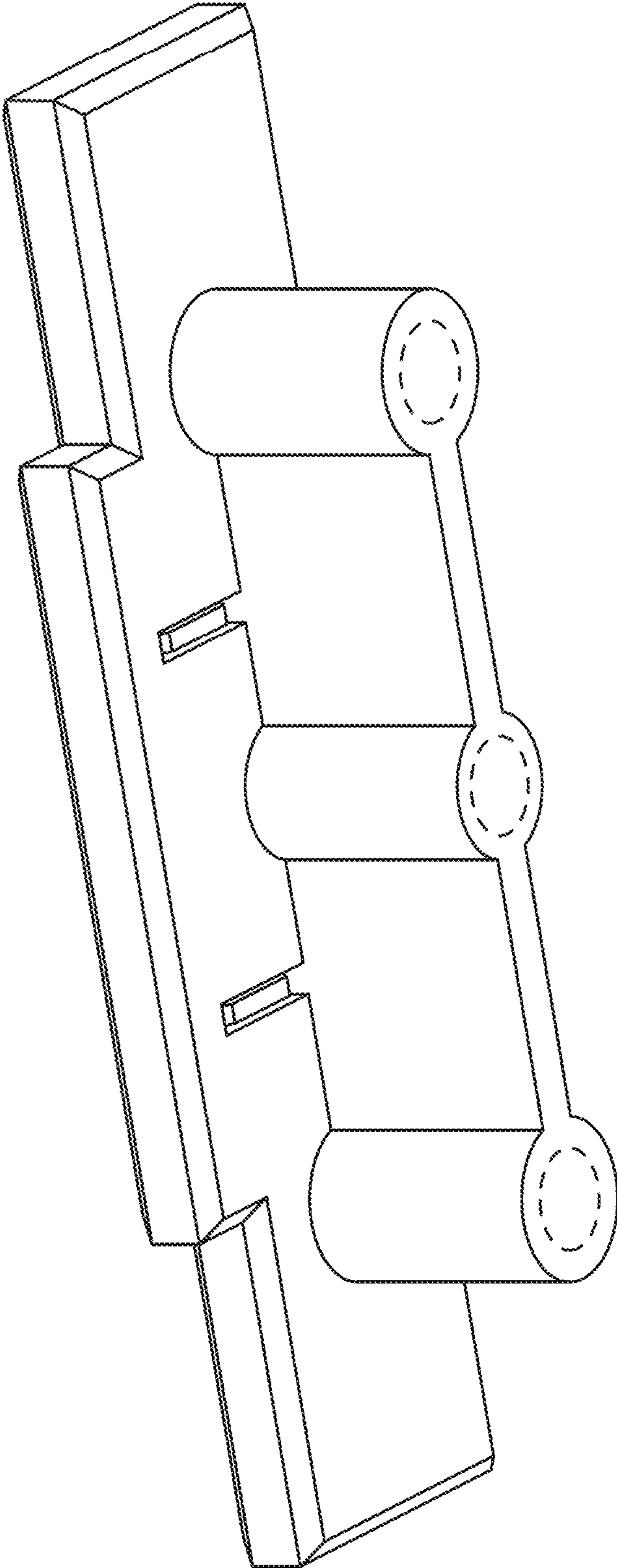


Fig. 3

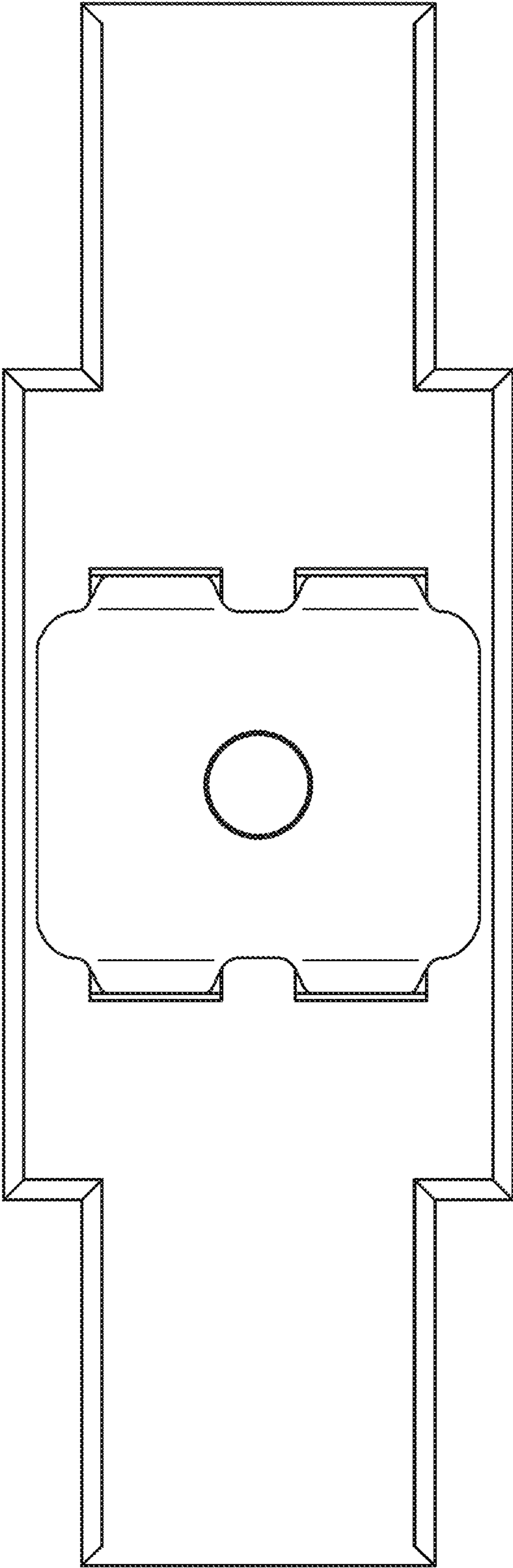


Fig. 4

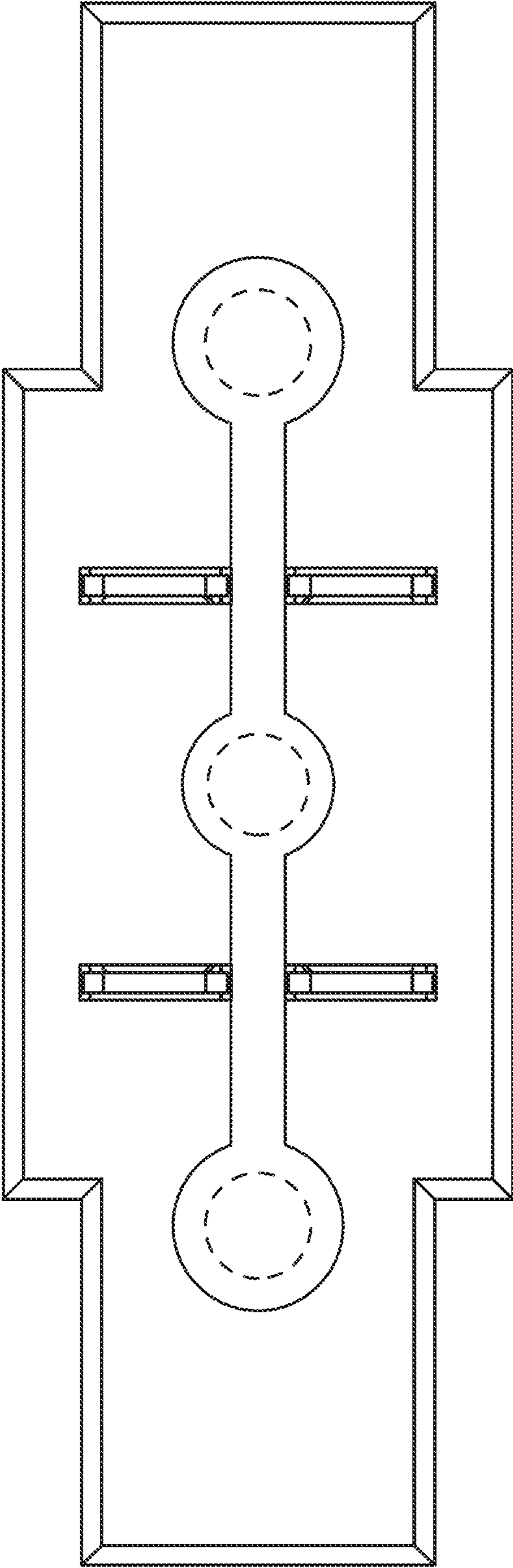


Fig. 5

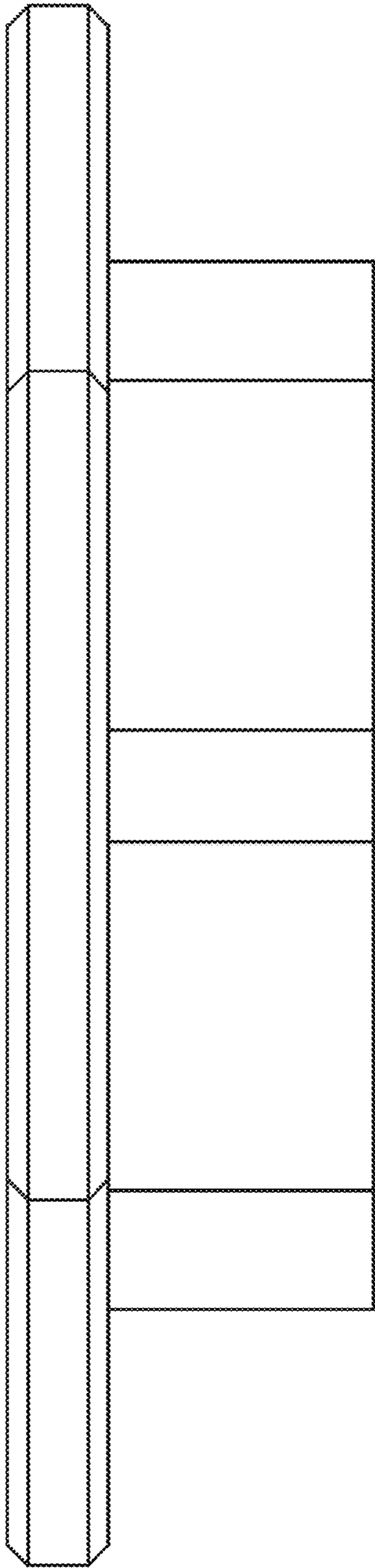


Fig. 6

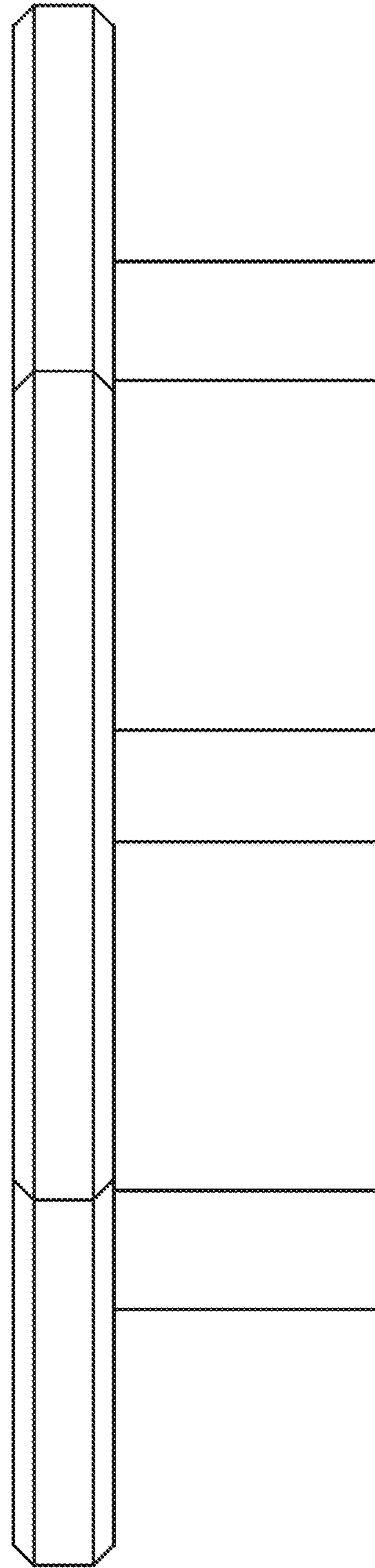


Fig. 7

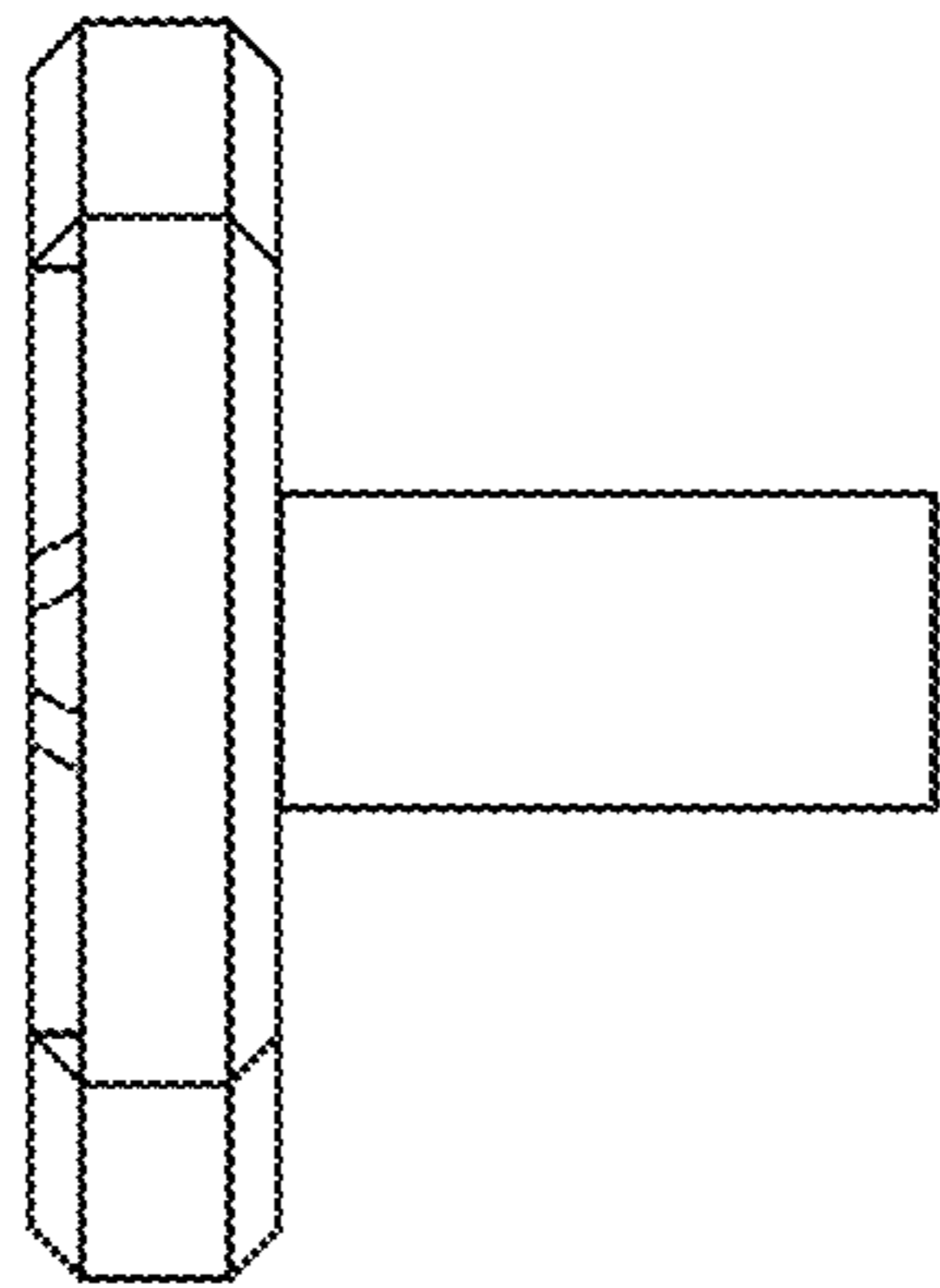


Fig. 8

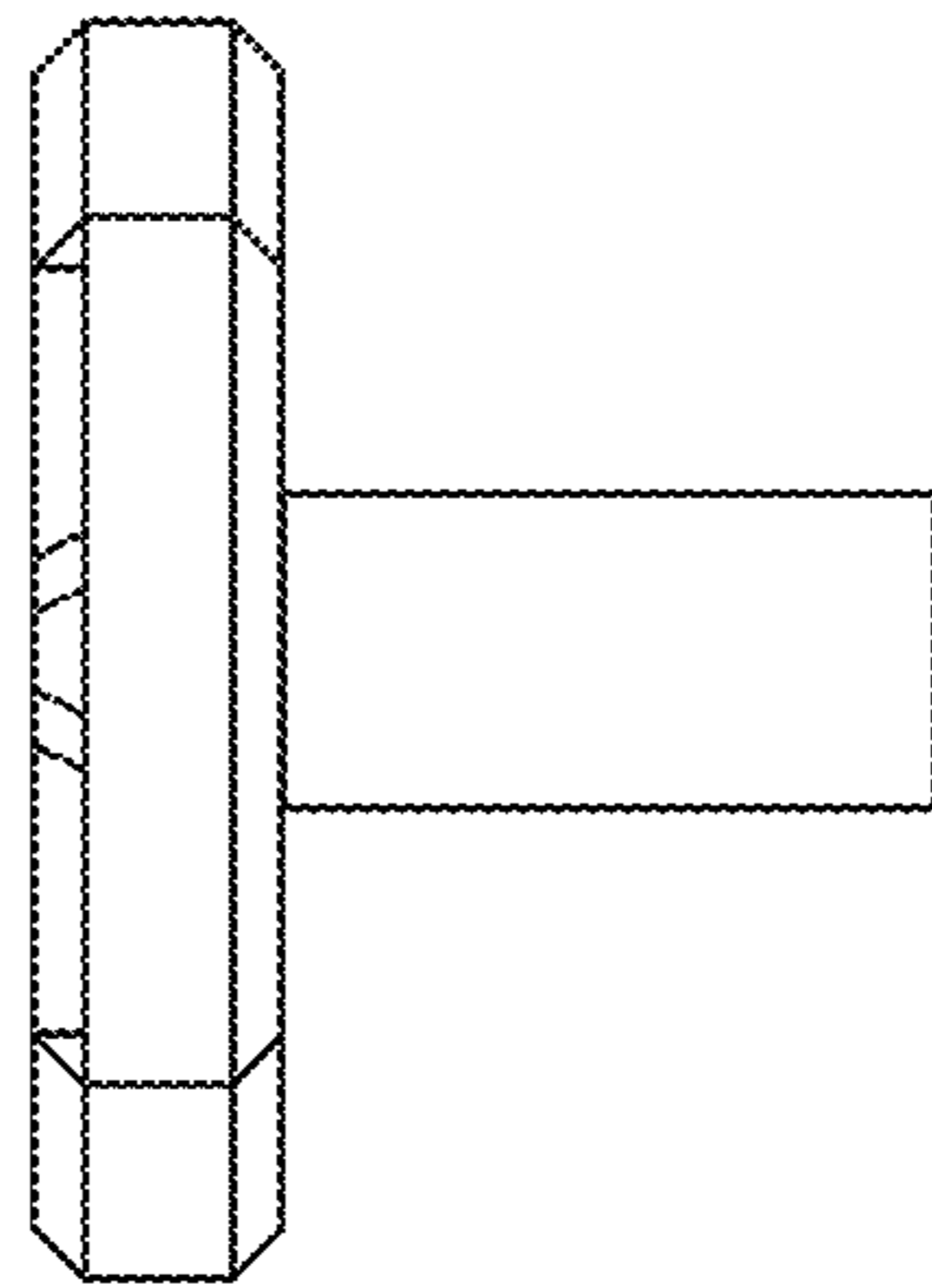


Fig. 9