



US00D795045S

(12) **United States Design Patent** (10) **Patent No.:** **US D795,045 S**
Diz et al. (45) **Date of Patent:** **** Aug. 22, 2017**

(54) **CONTAINER WHEEL**

(71) Applicant: **Bluesmart Inc.**, Mountain View, CA (US)

(72) Inventors: **Martin Diz**, Buffalo, NY (US); **Brian Chen**, New York, NY (US); **Alejo Verlini**, Buenos Aires (AR); **Alejandro Sarra**, Buenos Aires (AR); **Diego M. Saez-Gil**, Brooklyn, NY (US); **Tomas M. Pierucci**, Buenos Aires (AR)

(73) Assignee: **BLUESMART INC.**, Mountain View, CA (US)

(**) Term: **14 Years**

(21) Appl. No.: **29/525,533**

(22) Filed: **Apr. 30, 2015**

(51) **LOC (10) Cl.** **08-05**

(52) **U.S. Cl.**
USPC **D8/375**

(58) **Field of Classification Search**
USPC D8/375, 374, 382, 354, 377, 358;
D24/183; D21/424, 425, 533-536;
D12/19; D3/318, 279, 271.12; D34/14,
D34/19, 24, 25, 27; D25/48.4
CPC B60B 33/0002; B60B 33/00; Y10T 16/18;
Y10T 16/209; Y10T 16/216; A47B 91/06;
A47C 7/006; E05D 15/0678; F16C
13/006; F16C 2326/02; F16C 33/4652;
F16C 33/498; F16C 33/74; Y10S 297/04
See application file for complete search history.

(56) **References Cited**

U.S. PATENT DOCUMENTS

D198,901 S * 8/1964 Bruckner D8/375
D239,433 S * 4/1976 Sugawara D8/375
D245,313 S * 8/1977 Koepke D8/375
D355,586 S * 2/1995 Wang D8/375
D392,552 S * 3/1998 Miskill D8/375

D401,844 S * 12/1998 Klippert, Jr. D8/375
D425,301 S 5/2000 Sagol
D428,698 S 8/2000 Cheng
D434,224 S 11/2000 Tiramani
D435,967 S 1/2001 Tiramani
D438,005 S 2/2001 Tiramani
D479,651 S 9/2003 Shen
7,358,449 B2 4/2008 Hannon
D572,577 S * 7/2008 Hatton D8/375
D576,868 S * 9/2008 Minamiura D8/375
7,916,025 B2 3/2011 Locker et al.

(Continued)

FOREIGN PATENT DOCUMENTS

WO WO-2007/063302 A1 6/2007
WO WO-2013/126459 A2 8/2013
WO WO-2014/073971 A1 5/2015

OTHER PUBLICATIONS

Designboom, "Bluesmart is a Smart Connected Carry-on Suitcase with Built-in Battery" Accessed on Apr. 5, 2016. Posted on Oct. 21, 2014, 19 pages. (<http://www.designboom.com/technology/bluesmart-smart-connected-suitcase-10-21-2014/>).

(Continued)

Primary Examiner — Robert M Spear
Assistant Examiner — Eliza Bennett-Hattan
(74) *Attorney, Agent, or Firm* — Morrison & Foerster LLP

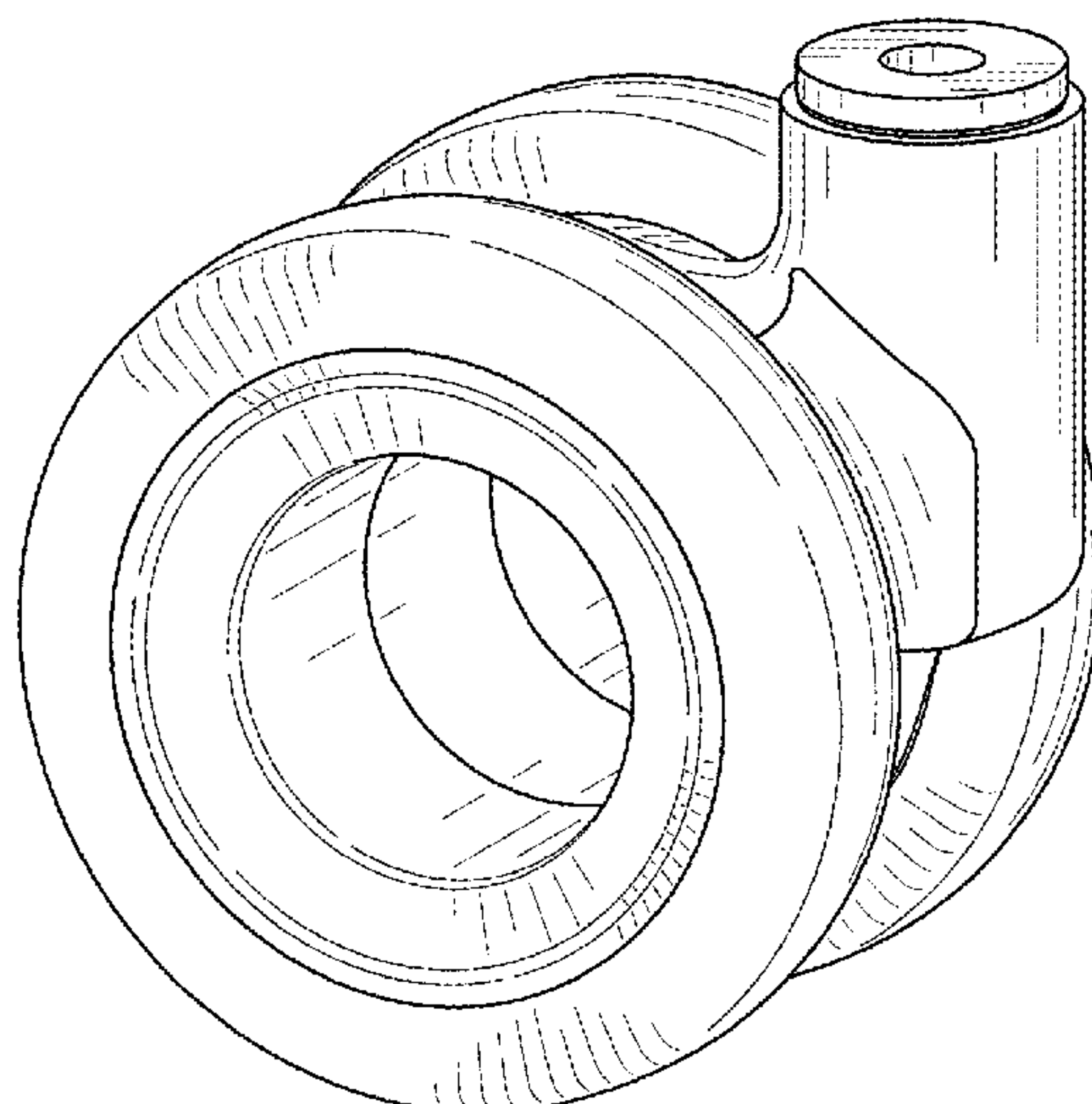
(57) **CLAIM**

The ornamental design for a container wheel, as shown and described.

DESCRIPTION

FIG. 1 is a top perspective view of a container wheel, which may be used with a container;
FIG. 2 is a side view of the container wheel;
FIG. 3 is a front view of the container wheel; and,
FIG. 4 is a top view of the container wheel.

1 Claim, 2 Drawing Sheets



(56)

References Cited

U.S. PATENT DOCUMENTS

D639,149	S	*	6/2011	Schioppa	D8/375
D659,395	S		5/2012	Sijmons		
D701,753	S	*	4/2014	Kubota	D8/375
D720,928	S		1/2015	Roncato		
D722,771	S		2/2015	Wu		
D728,236	S		5/2015	Virassamy		
D730,050	S		5/2015	Hogan		
D740,558	S		10/2015	Liao		
D743,168	S		11/2015	Niu		
2012/0152677	A1		6/2012	Lu		
2013/0255335	A1		10/2013	Jonely		
2014/0131156	A1		5/2014	Farrelly		
2014/0166416	A1		6/2014	Krulik		
2014/0283335	A1		9/2014	Meersschaert		
2015/0014108	A1		1/2015	Vecellio		
2015/0021132	A1		1/2015	Sijmons		
2015/0348347	A1		12/2015	Diz et al.		

OTHER PUBLICATIONS

International Search Report mailed on Oct. 19, 2015, for PCT/US2015/032667, filed on May 27, 2015, 4 pages.

Non-Final Office Action mailed Dec. 31, 2015, for Design U.S. Appl. No. 29/538,746, filed on Sep. 8, 2015, 17 pages.

One Mile At a Time Blog, "Trunkster Zipperless Luggage—Thoughts?" Accessed on Nov. 25, 2015. Posted on Nov. 21, 2014, 13 pages. (<http://onemileatime.boardingarea.com/2014/11/21/trunkster-zipperless-luggage-thoughts/>).

Written Opinion mailed on Oct. 19, 2015, for PCT/US2015/032667, filed on May 27, 2015, 7 pages.

YouTube.com, "Bluesmart—Prototype Demo #02", Accessed on Nov. 25, 2015. Posted on Oct. 20, 2014, 2 pgs. (<https://www.youtube.com/watch?v=z45Hwt91GXE>).

* cited by examiner

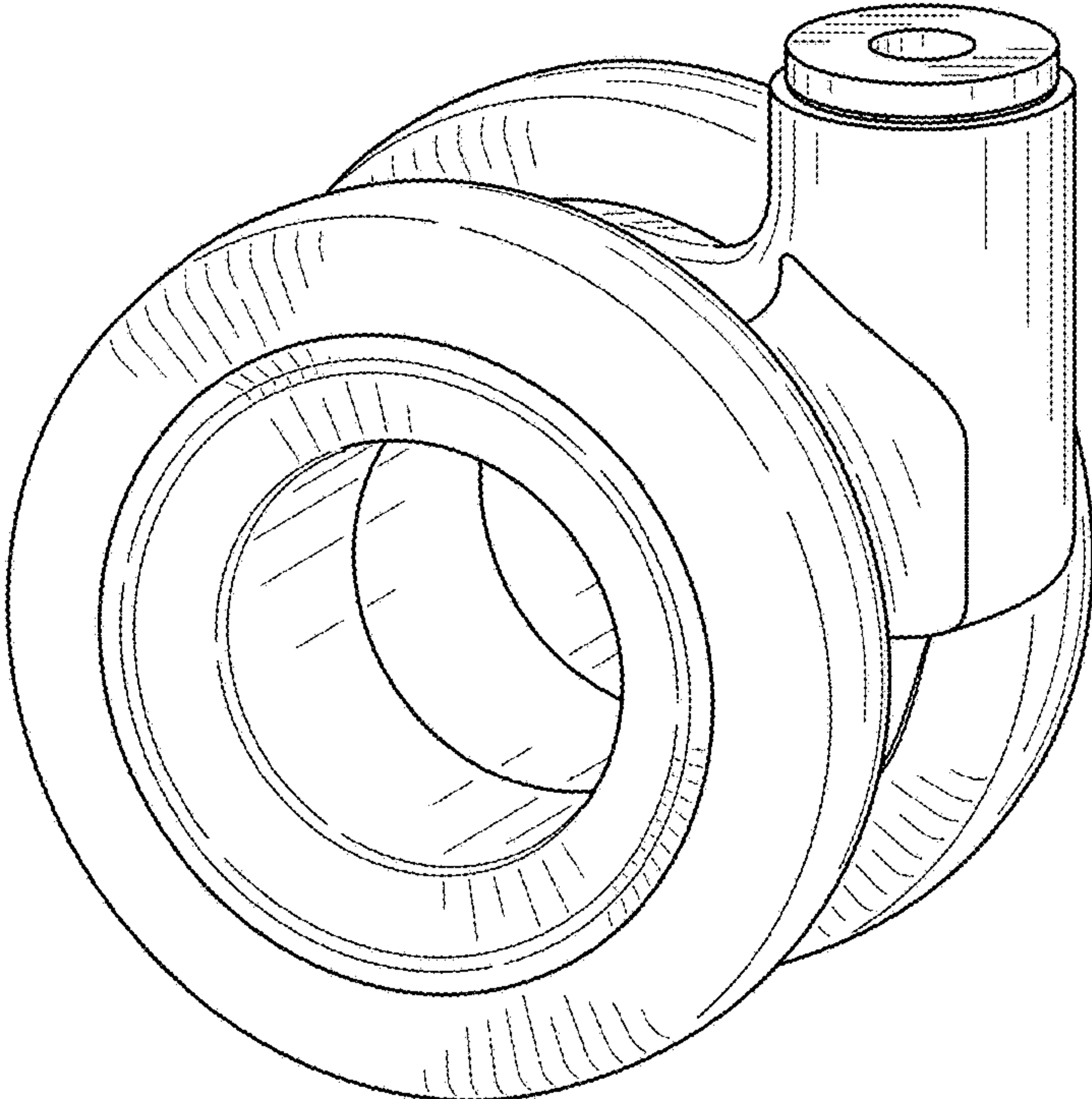


FIG. 1

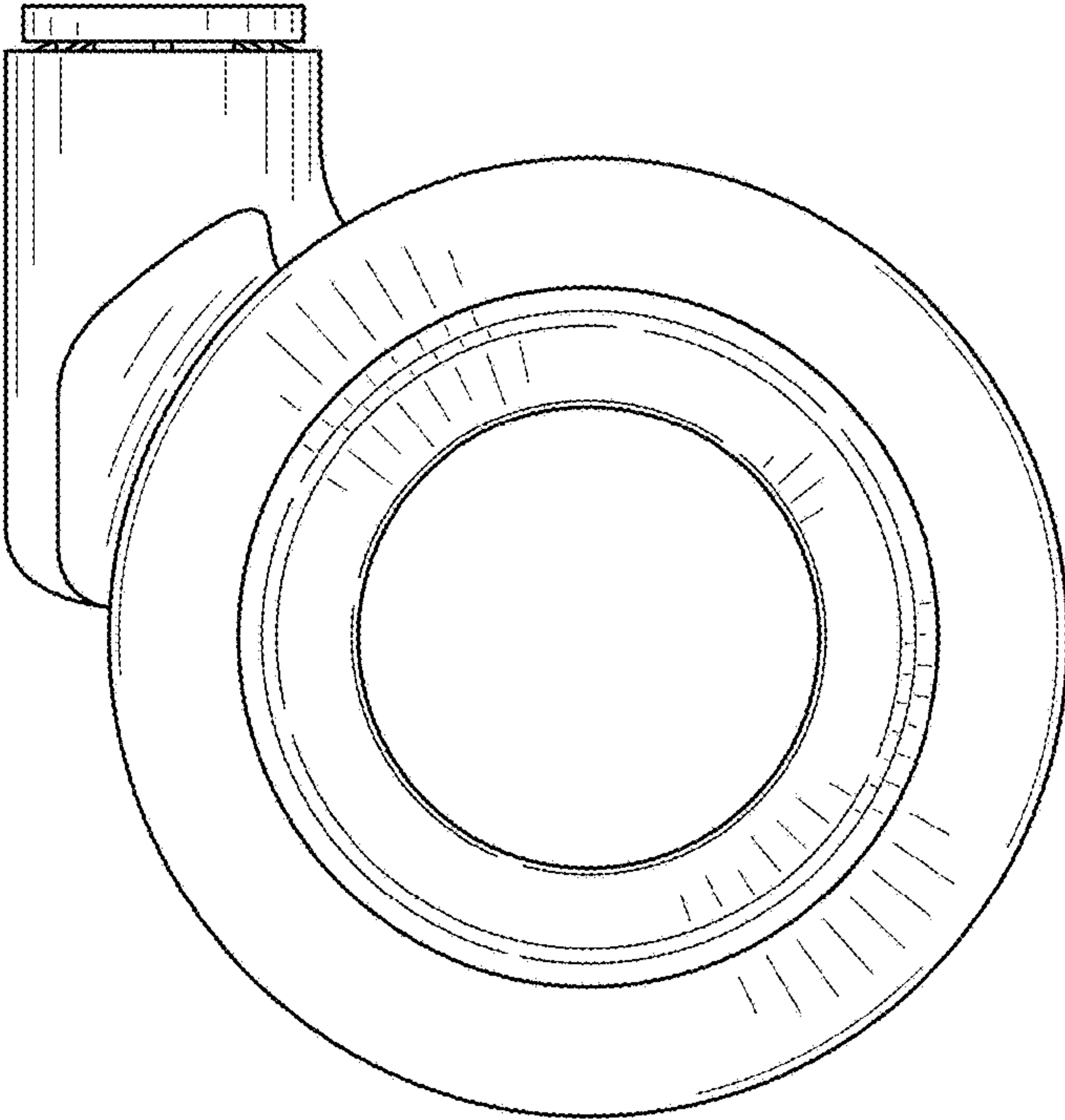


FIG. 2

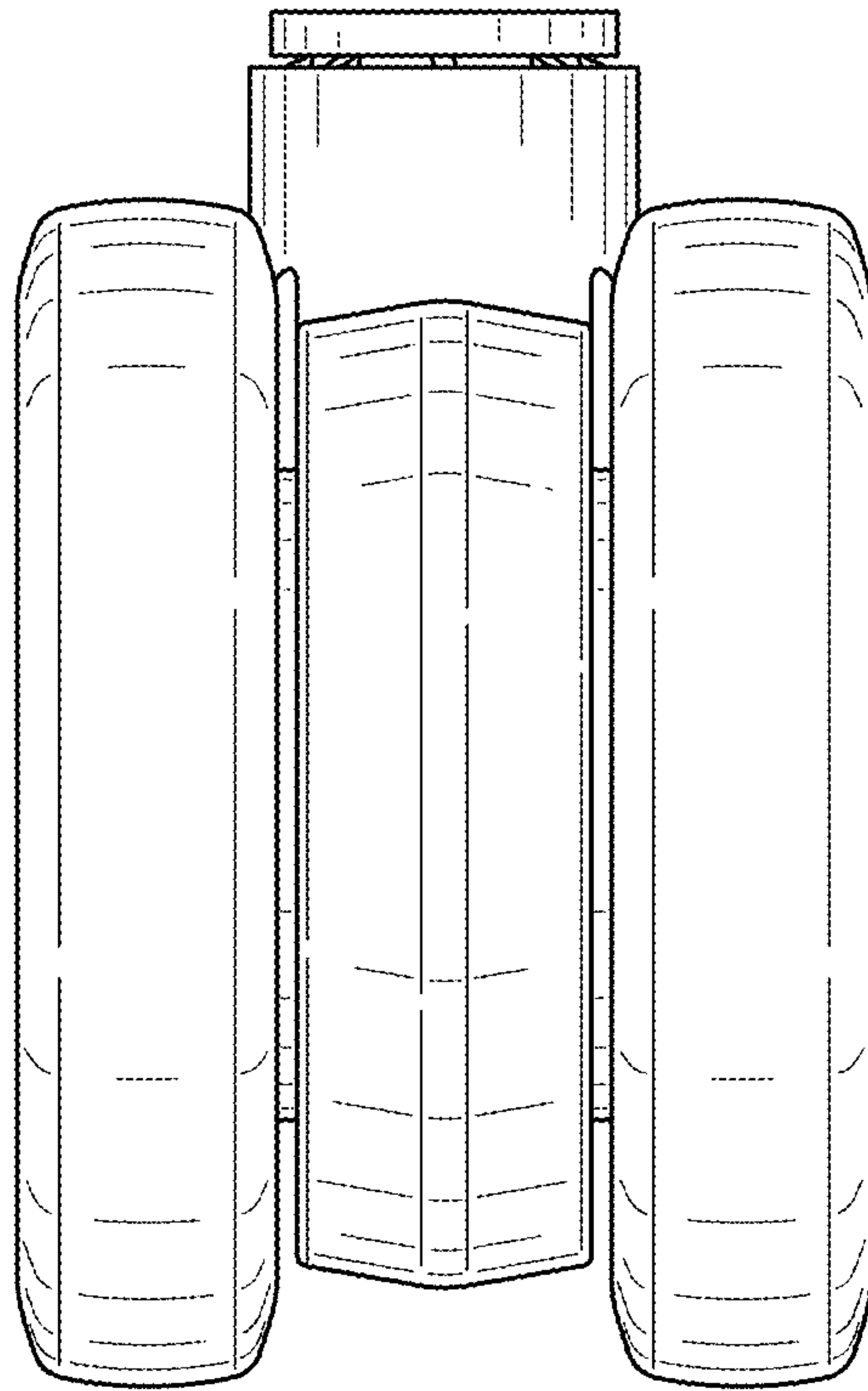


FIG. 3

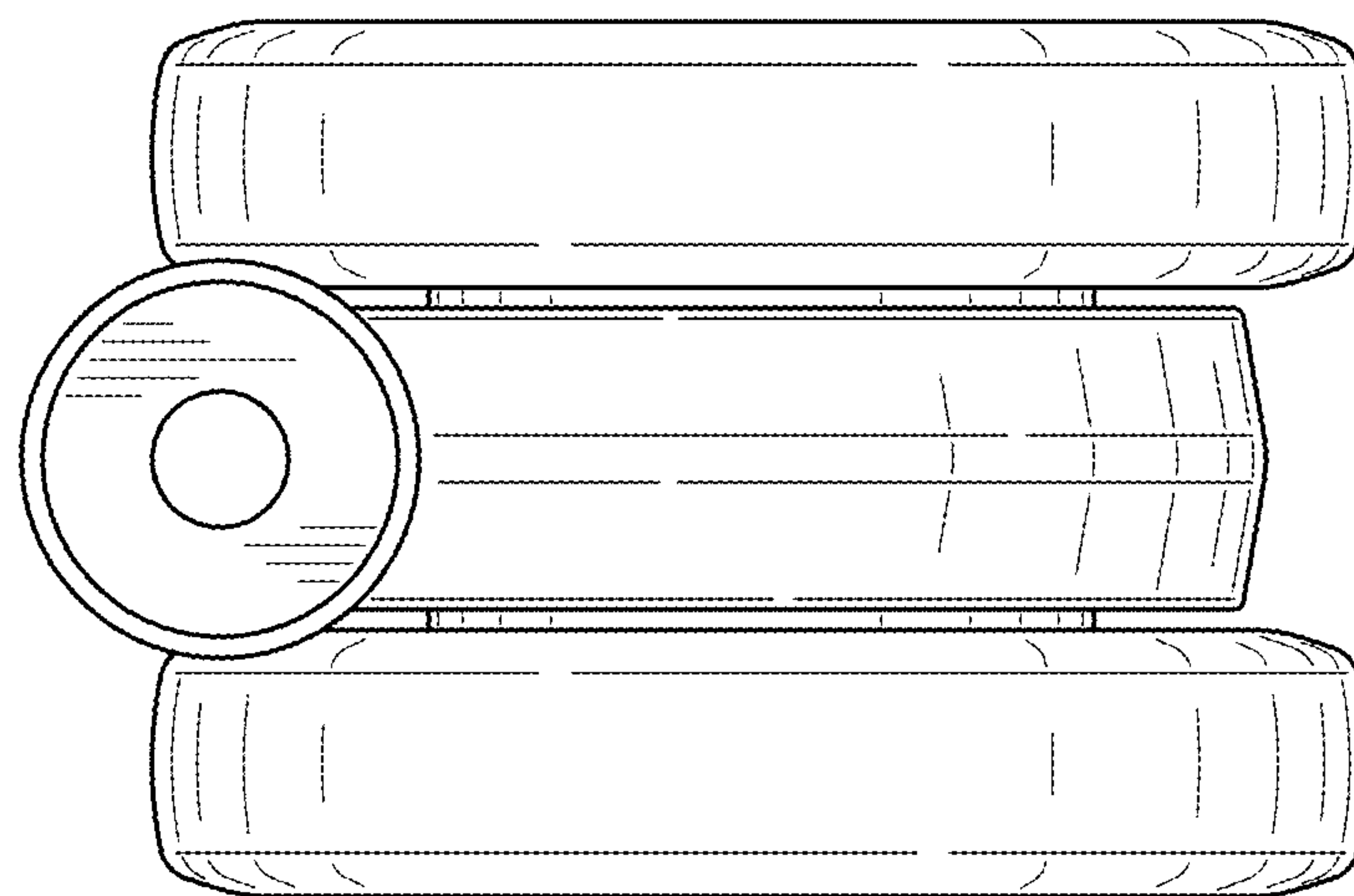


FIG. 4