



US00D795044S

(12) **United States Design Patent** (10) **Patent No.:** **US D795,044 S**
McNutt et al. (45) **Date of Patent:** **** Aug. 22, 2017**

(54) **CORD BOX**

(71) Applicant: **Clarity Consulting Group, LLC**,
Visalia, CA (US)
(72) Inventors: **Donovan McNutt**, Visalia, CA (US);
Mark Schoening, Portland, OR (US);
Patrick Scranton, Vancouver, WA (US)
(73) Assignee: **Clarity Consulting Group, LLC**,
Visalia, CA (US)
(**) Term: **15 Years**

(21) Appl. No.: **29/577,043**

(22) Filed: **Sep. 8, 2016**

(51) **LOC (10) Cl.** **09-06**

(52) **U.S. Cl.**
USPC **D8/356; D13/156**

(58) **Field of Classification Search**
USPC D8/367, 354, 349, 394, 372, 398, 382,
D8/356; D3/228; 224/247, 197;
248/220.43, 220.42; D13/156
CPC F16L 3/13; F16L 3/26; A47G 23/0225;
A47G 25/06; A47G 1/16; A47F 5/0846;
A47F 5/02; A47F 5/0823; H02G 11/003;
D06F 55/00; E04H 17/10; A45F 5/02;
F16B 45/02
See application file for complete search history.

(56) **References Cited**

U.S. PATENT DOCUMENTS

D264,828 S * 6/1982 Gray D11/87
D323,102 S * 1/1992 Kipling D8/331
D331,725 S * 12/1992 Mastoloni 59/80
D460,421 S * 7/2002 Marozsan, Jr. D13/156
D466,433 S * 12/2002 Goto D11/87
D569,349 S * 5/2008 Preston D13/156
D627,001 S * 11/2010 de Niet D20/22
7,939,757 B1 * 5/2011 Baldwin H02G 3/10
174/66
D649,444 S * 11/2011 Gallagher, Jr. D8/383
D660,138 S * 5/2012 Gallagher, Jr. D11/87

(Continued)

OTHER PUBLICATIONS

Web site for Bluelounge Cablebos, 2015: <https://www.bluelounge.com/products/cablebox/>.
Primary Examiner — Cynthia Underwood
(74) *Attorney, Agent, or Firm* — Mark D. Miller

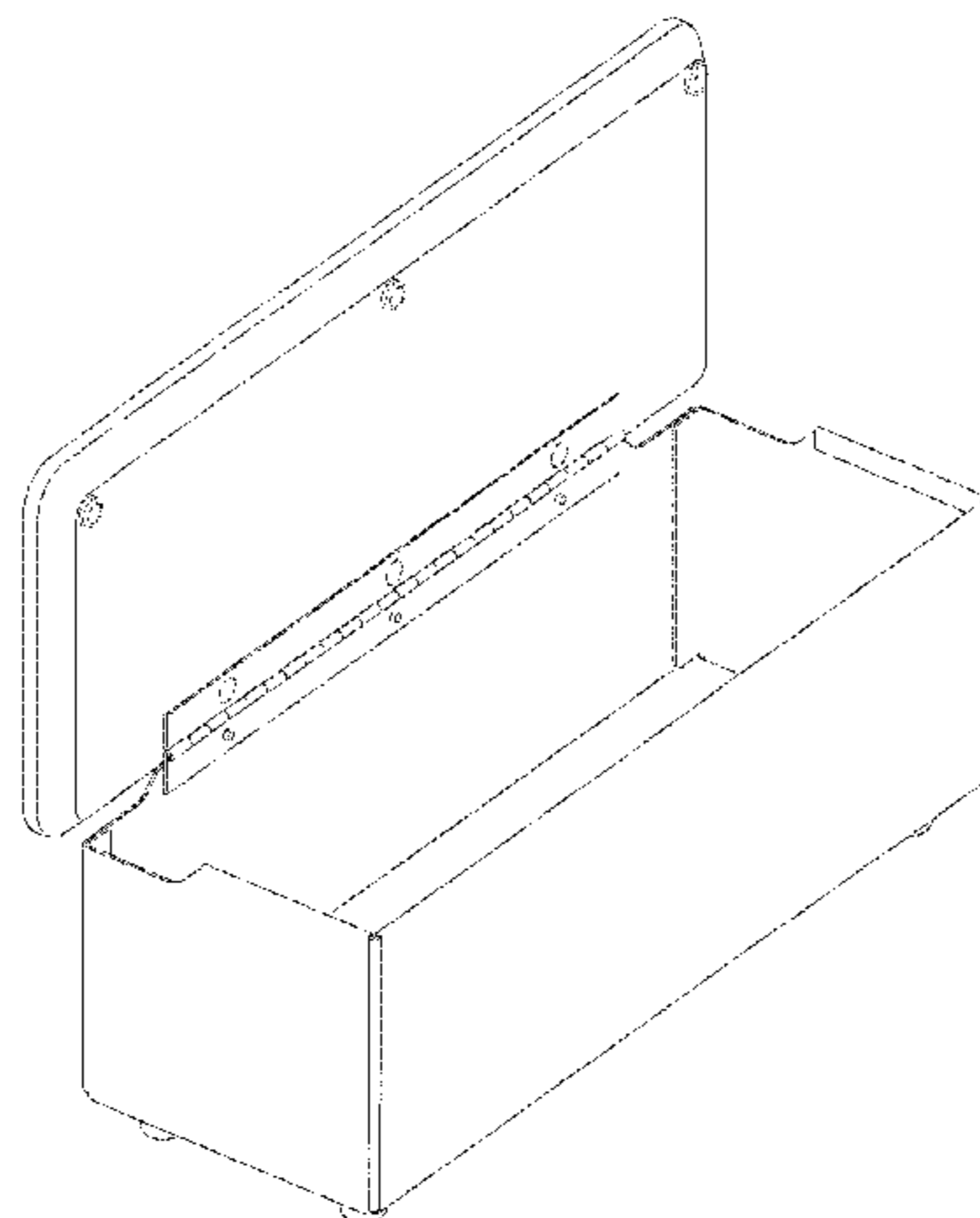
(57) **CLAIM**

We claim the ornamental design for a cord box, as shown and described.

DESCRIPTION

FIG. 1 is a front perspective view of a cord box showing our new design in an open configuration of use; FIG. 2 is a front elevational view thereof; FIG. 3 is a left side elevational view thereof; FIG. 4 is a right side elevational view thereof; FIG. 5 is a rear elevational view thereof; FIG. 6 is a top plan view thereof; and FIG. 7 is a bottom plan view thereof. FIG. 8 is a front perspective view of the cord box of FIG. 1 in a closed condition; FIG. 9 is a front perspective view of embodiment two of the cord box showing our new design in an open configuration of use; FIG. 12 is a front elevational view thereof; FIG. 11 is a left side elevational view thereof; FIG. 12 is a right side elevational view thereof; FIG. 13 is a rear elevational view thereof; FIG. 14 is a top plan view thereof; and FIG. 15 is a bottom plan view thereof; and, FIG. 16 is a front perspective view of the cord box of FIG. 9 in a closed condition. The broken lines in the cord box are not part of the claimed design.

1 Claim, 10 Drawing Sheets



(56)

References Cited

U.S. PATENT DOCUMENTS

D667,796 S * 9/2012 Boussekey D13/156
D675,579 S * 2/2013 Rucker D13/156
8,602,370 B2 * 12/2013 McKenzie A47G 25/0614
248/215
D708,052 S * 7/2014 Symons D8/394
D709,359 S * 7/2014 Symons D8/396
D727,854 S * 4/2015 Chance D13/156
D741,701 S * 10/2015 McNeil D8/356
D741,807 S * 10/2015 Kim D13/133
D758,838 S * 6/2016 Symons D8/383
D761,088 S * 7/2016 Leonard D8/356
D763,666 S * 8/2016 Wengreen D8/356
D765,037 S * 8/2016 Hebert D13/156
D776,517 S * 1/2017 Sterling D8/356
2009/0094798 A1 * 4/2009 Yao A43C 1/00
24/115 G
2010/0148018 A1 * 6/2010 Schoenau F16L 5/14
248/74.4

* cited by examiner

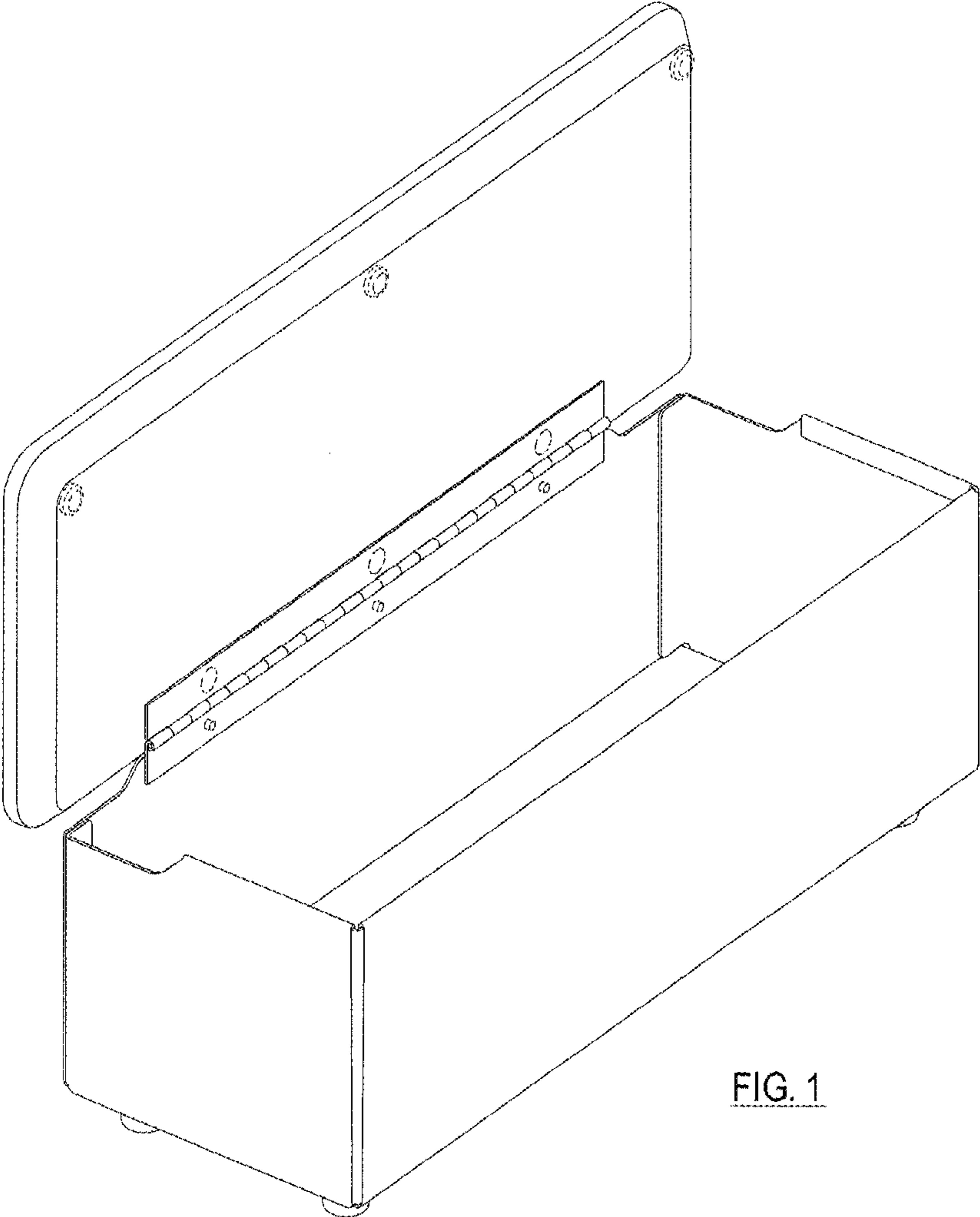


FIG. 1

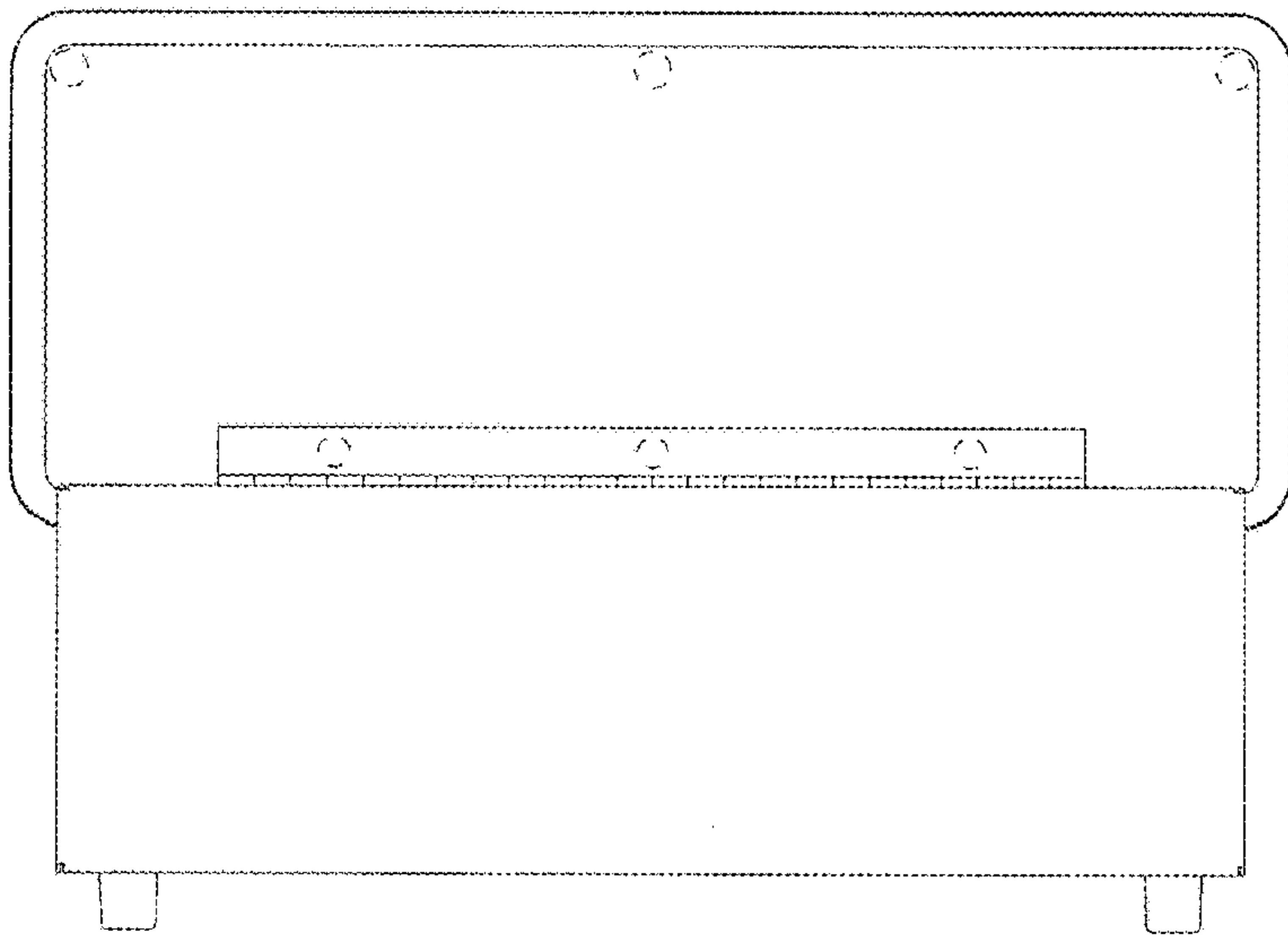


FIG. 2

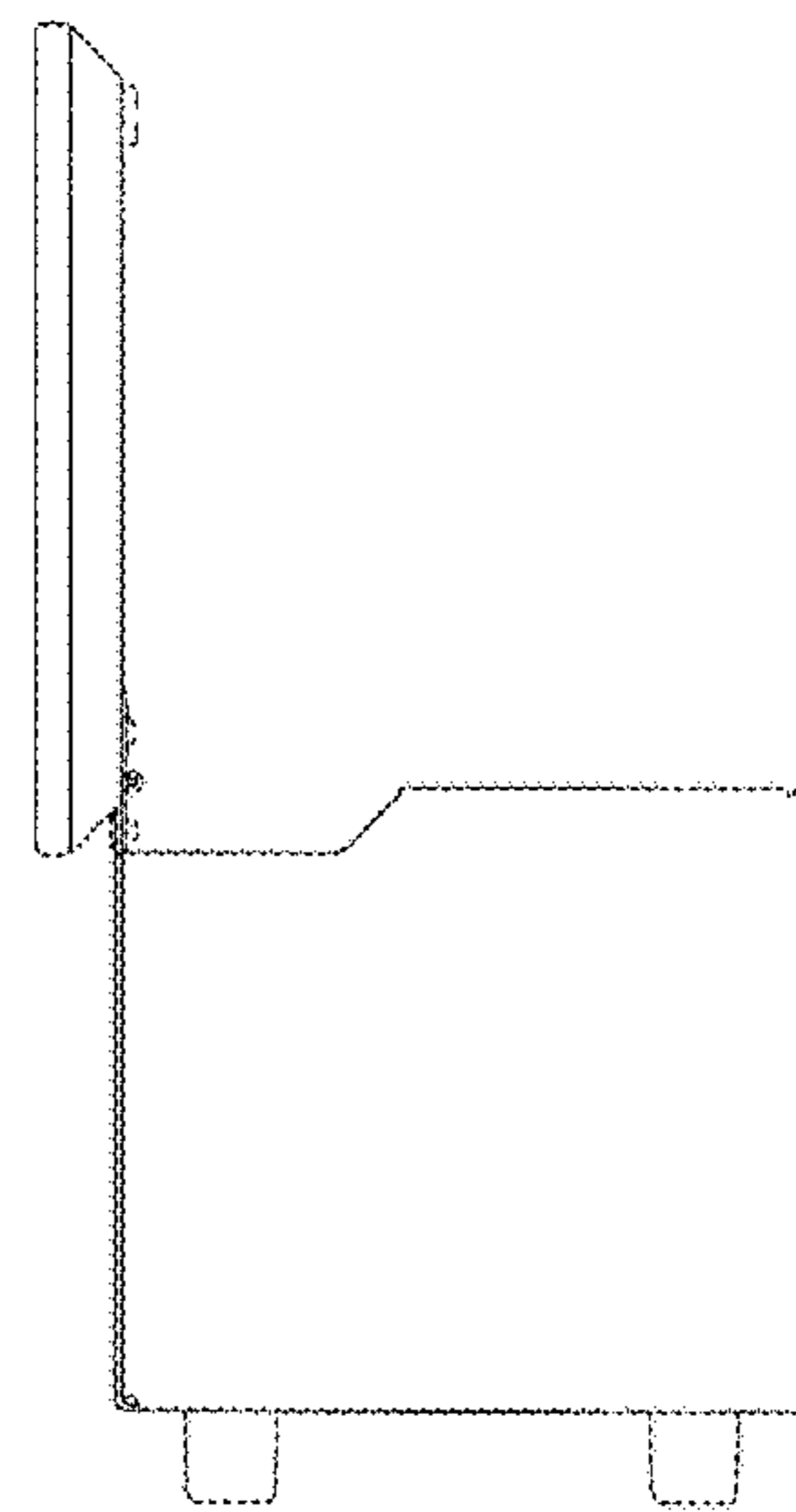


FIG. 3

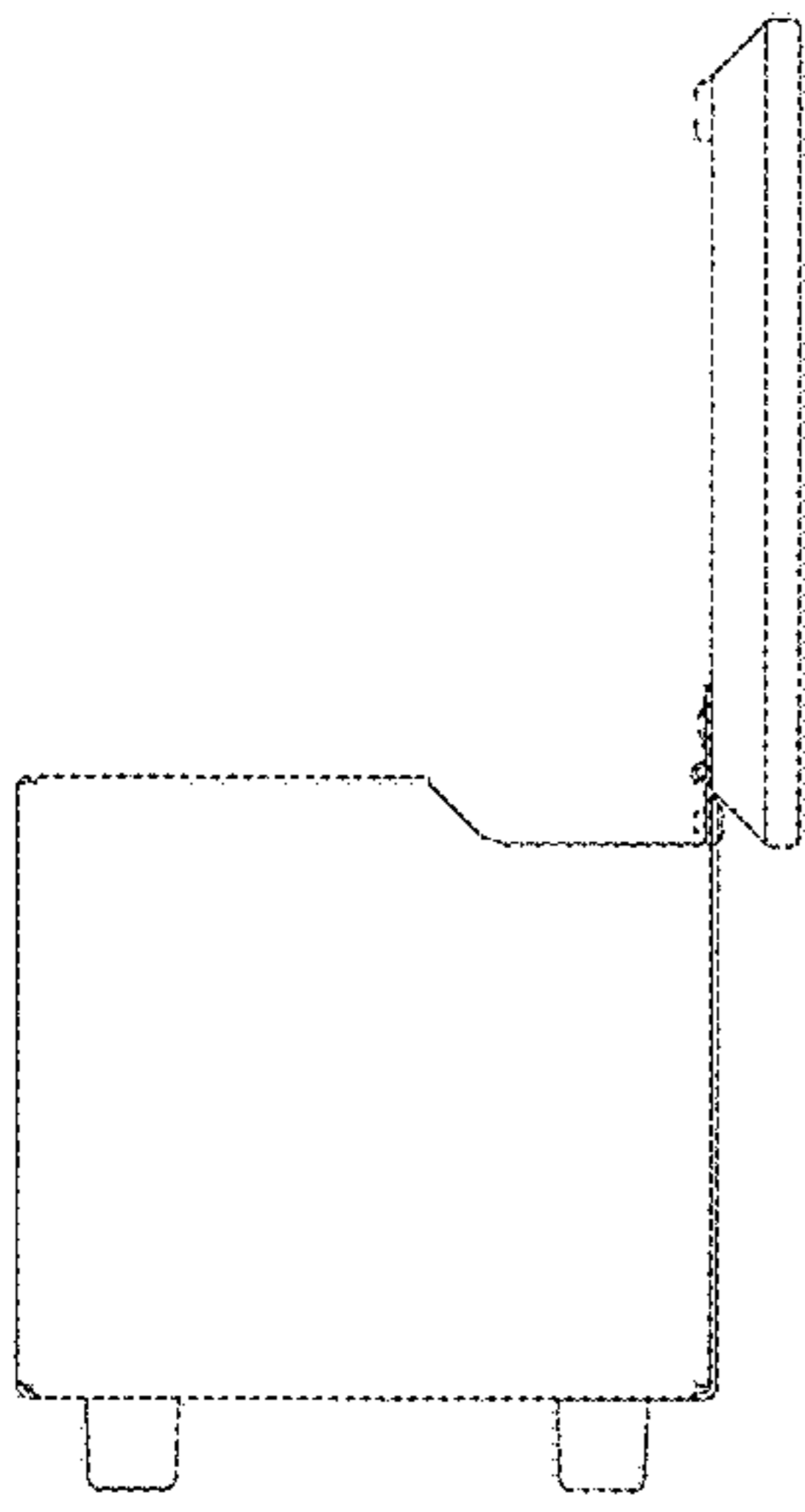


FIG. 4

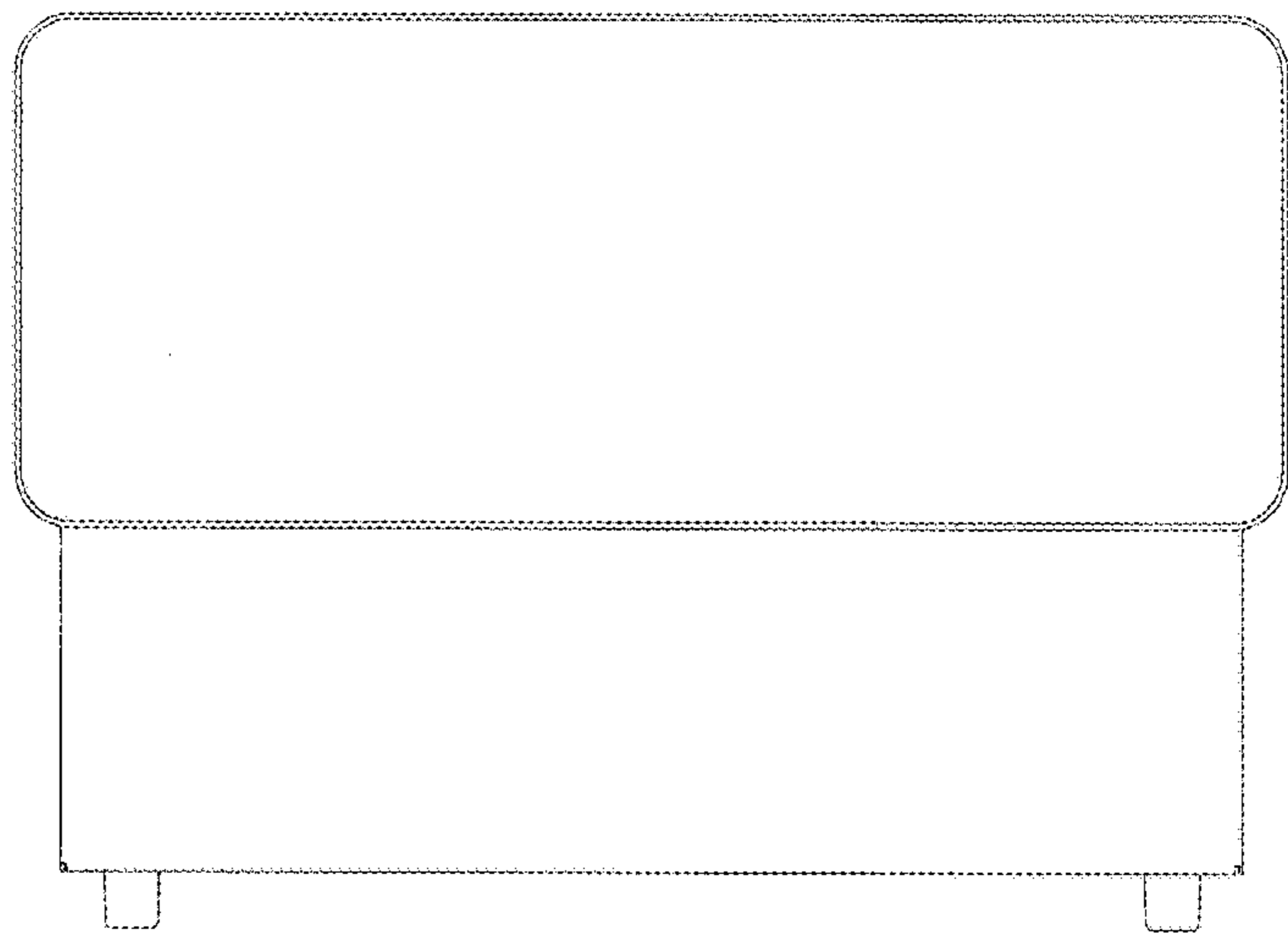


FIG. 5

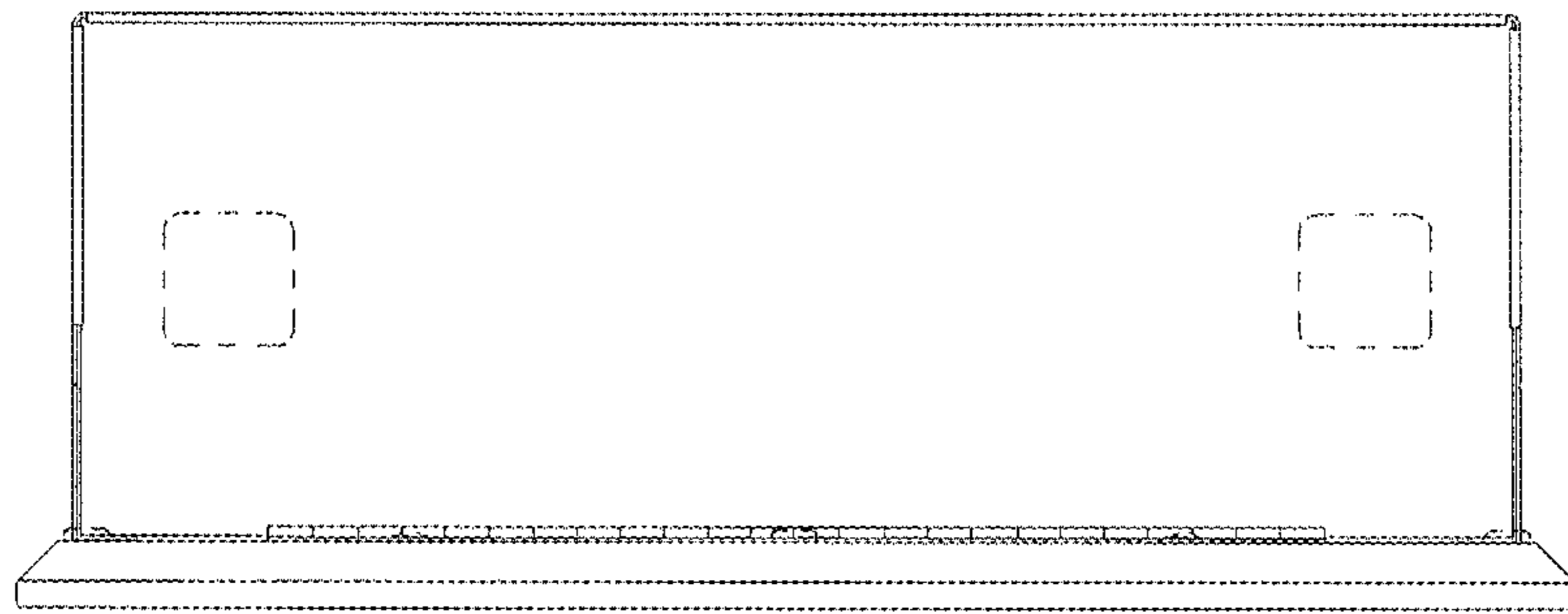


FIG. 6

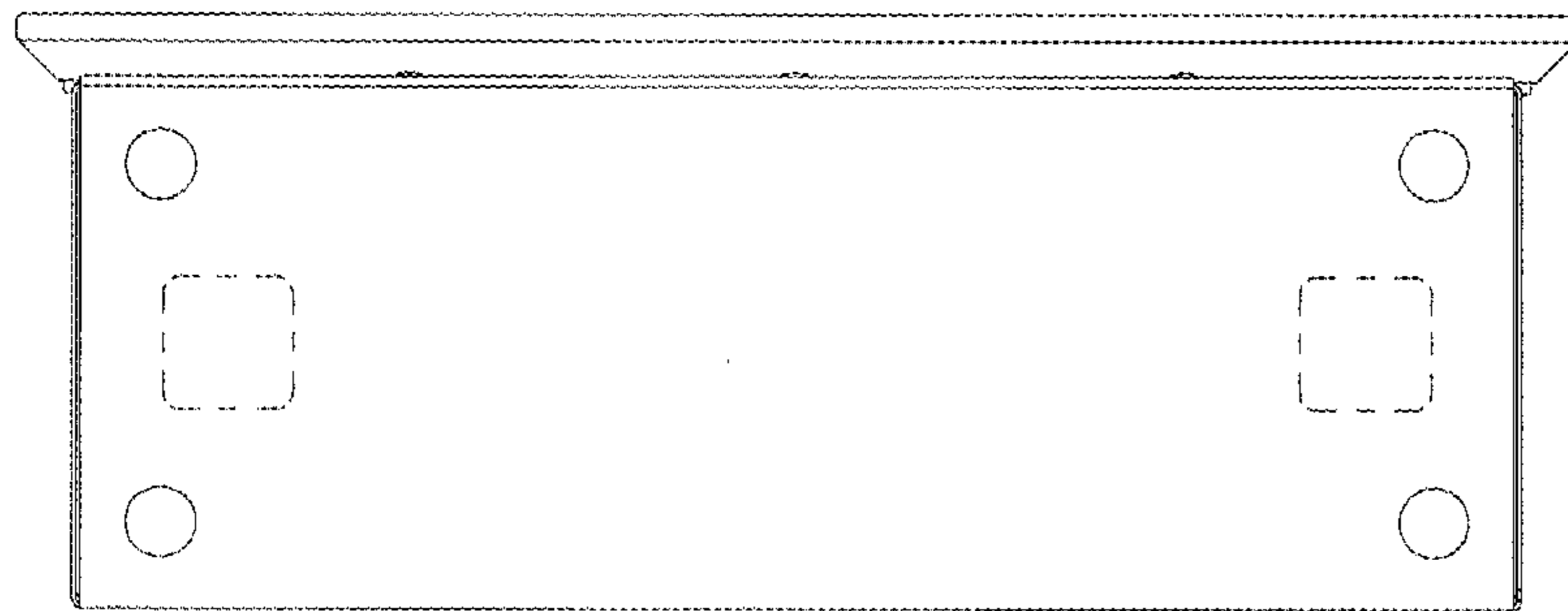


FIG. 7

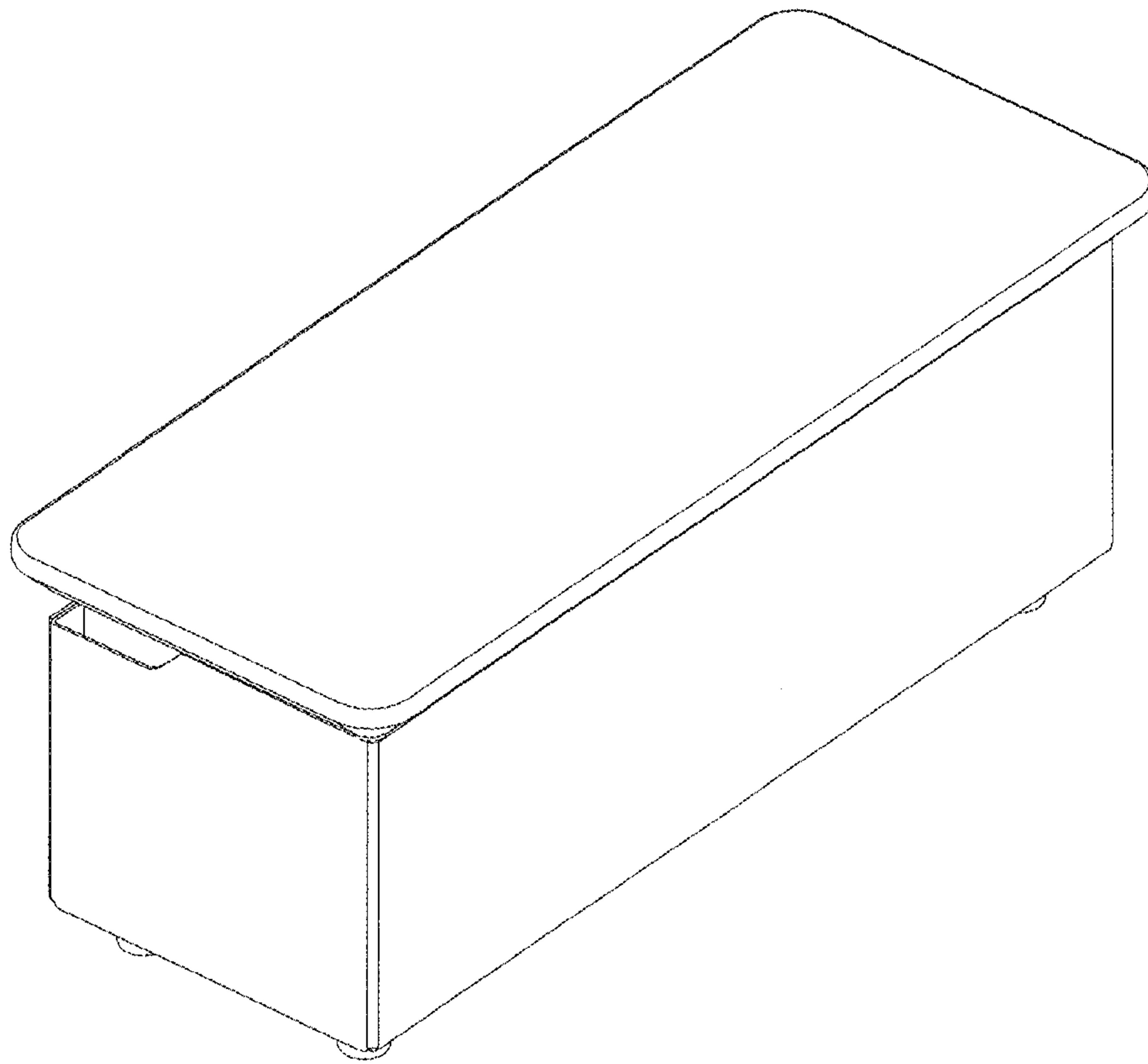


FIG. 8

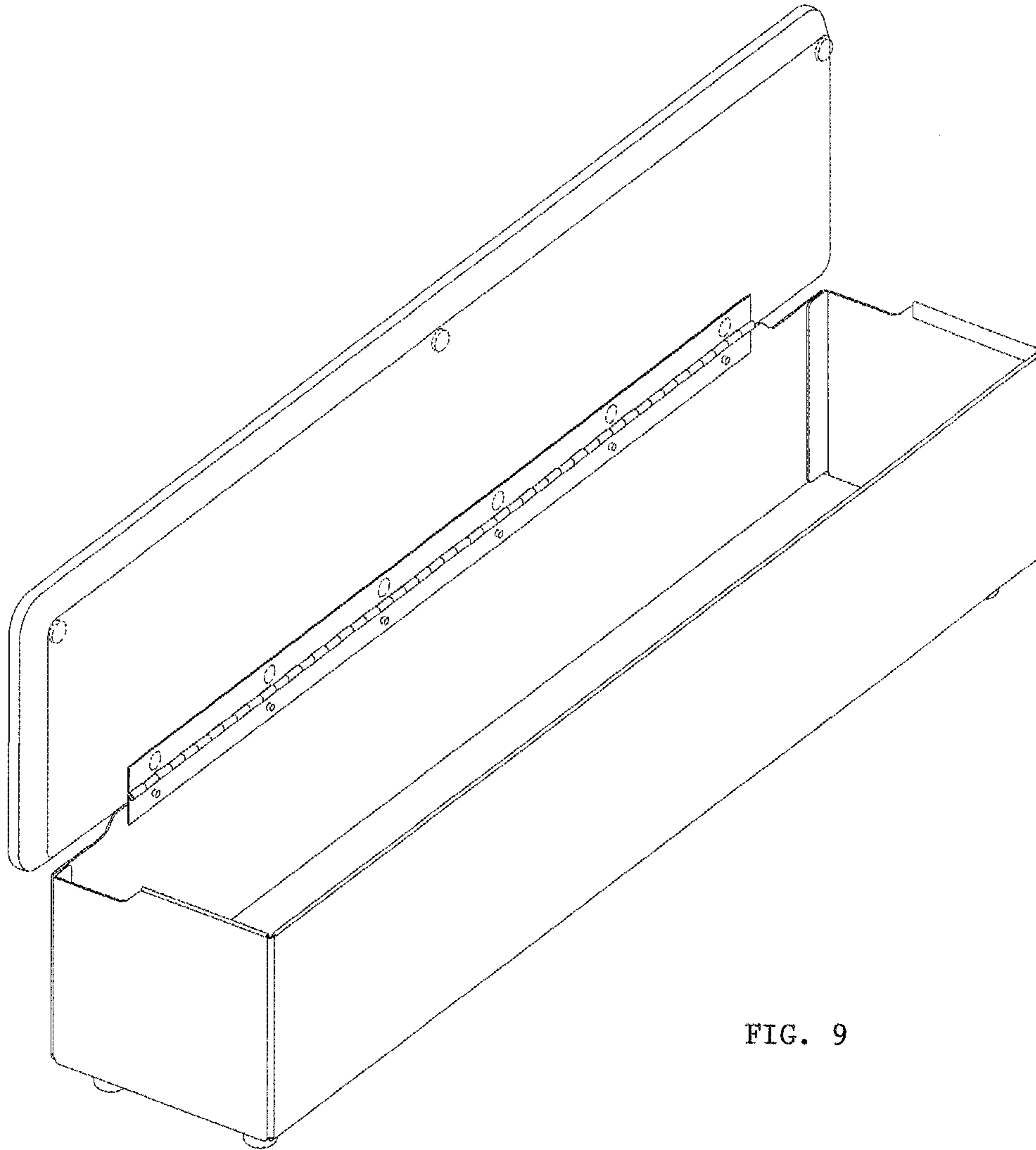


FIG. 9

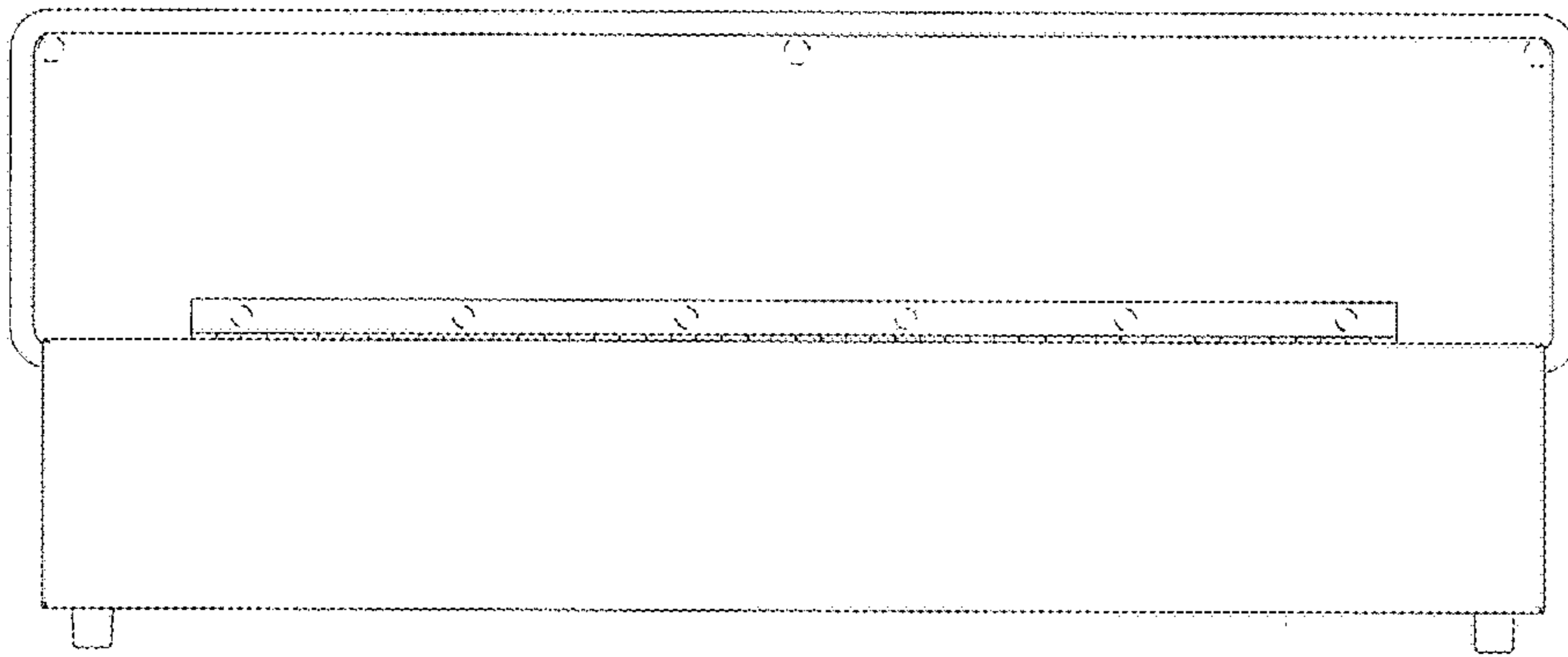


FIG. 10

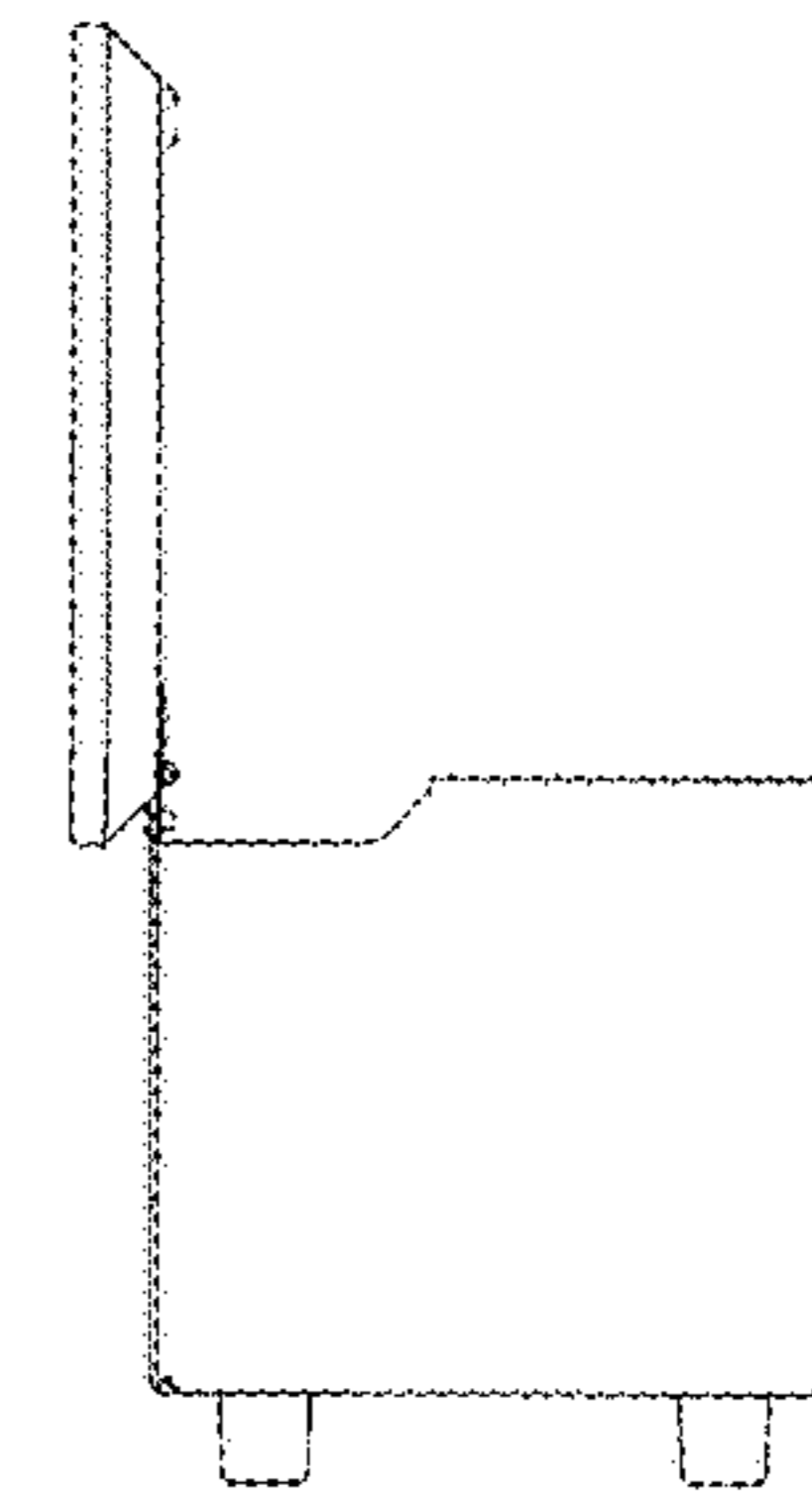


FIG. 11

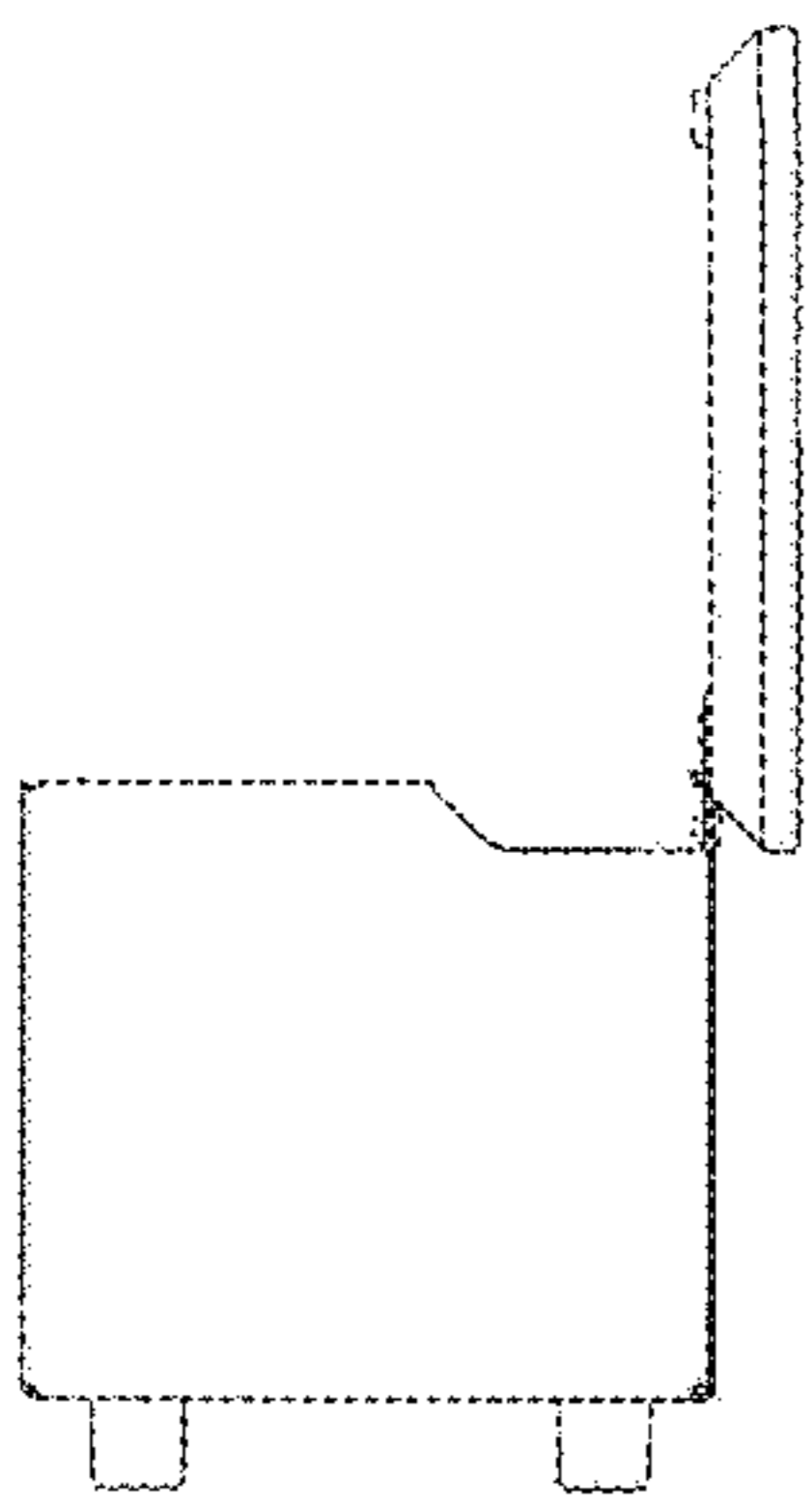


FIG. 12

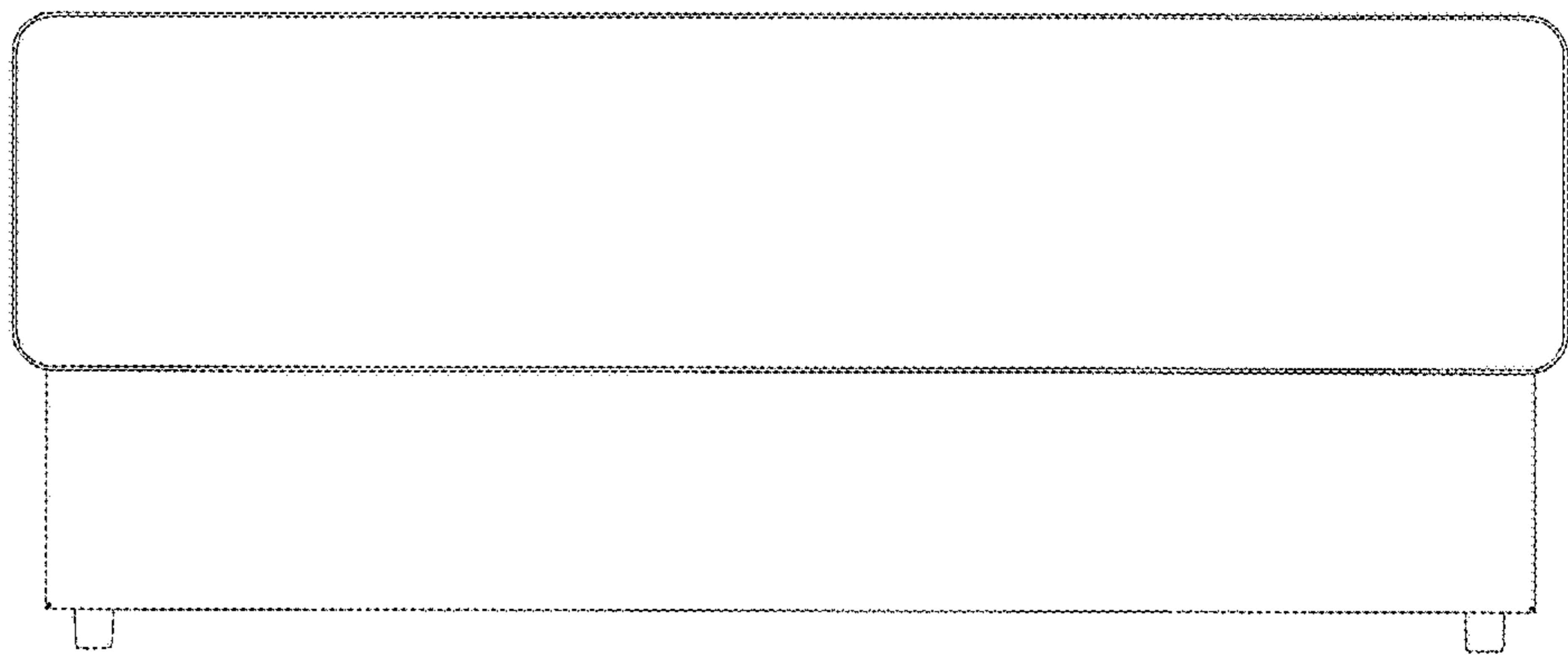


FIG. 13

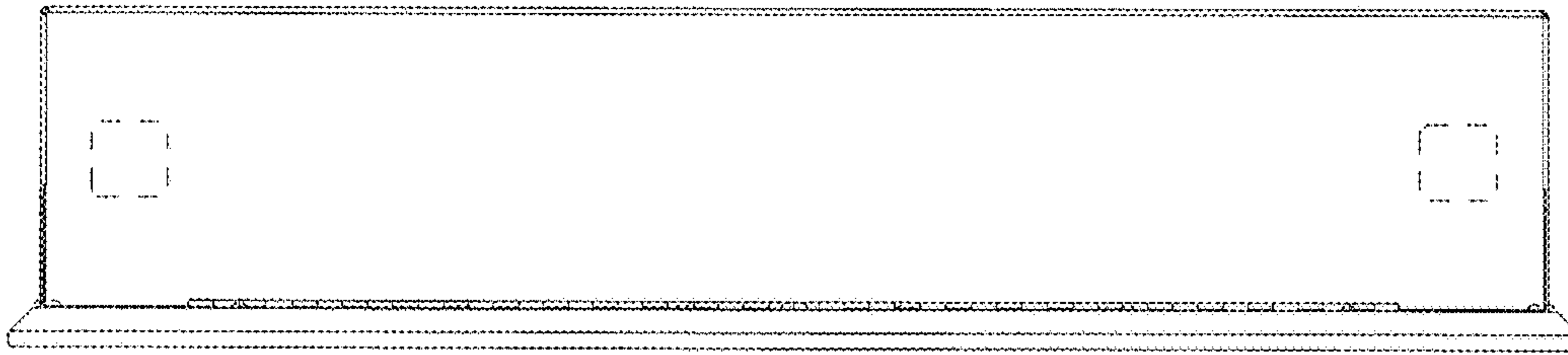


FIG. 14

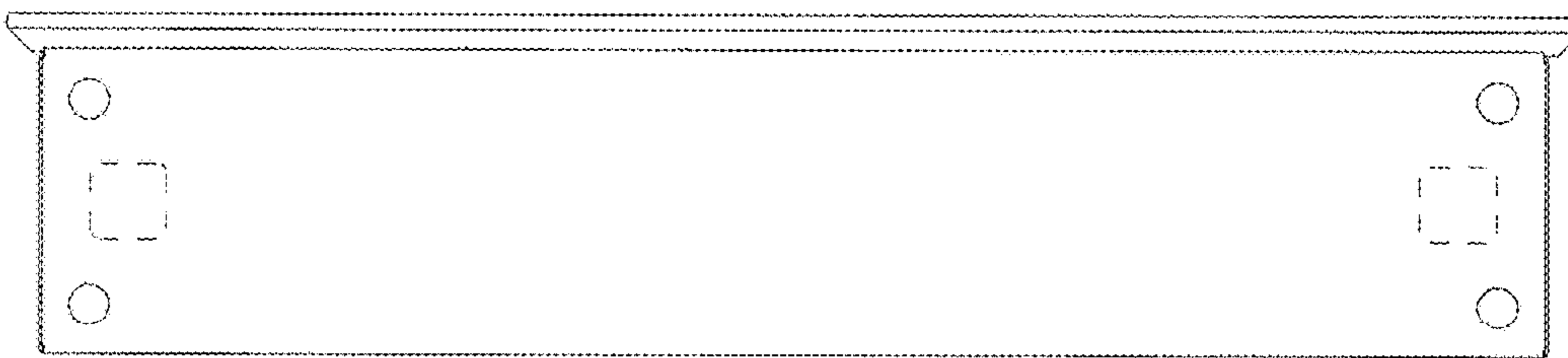


FIG. 15

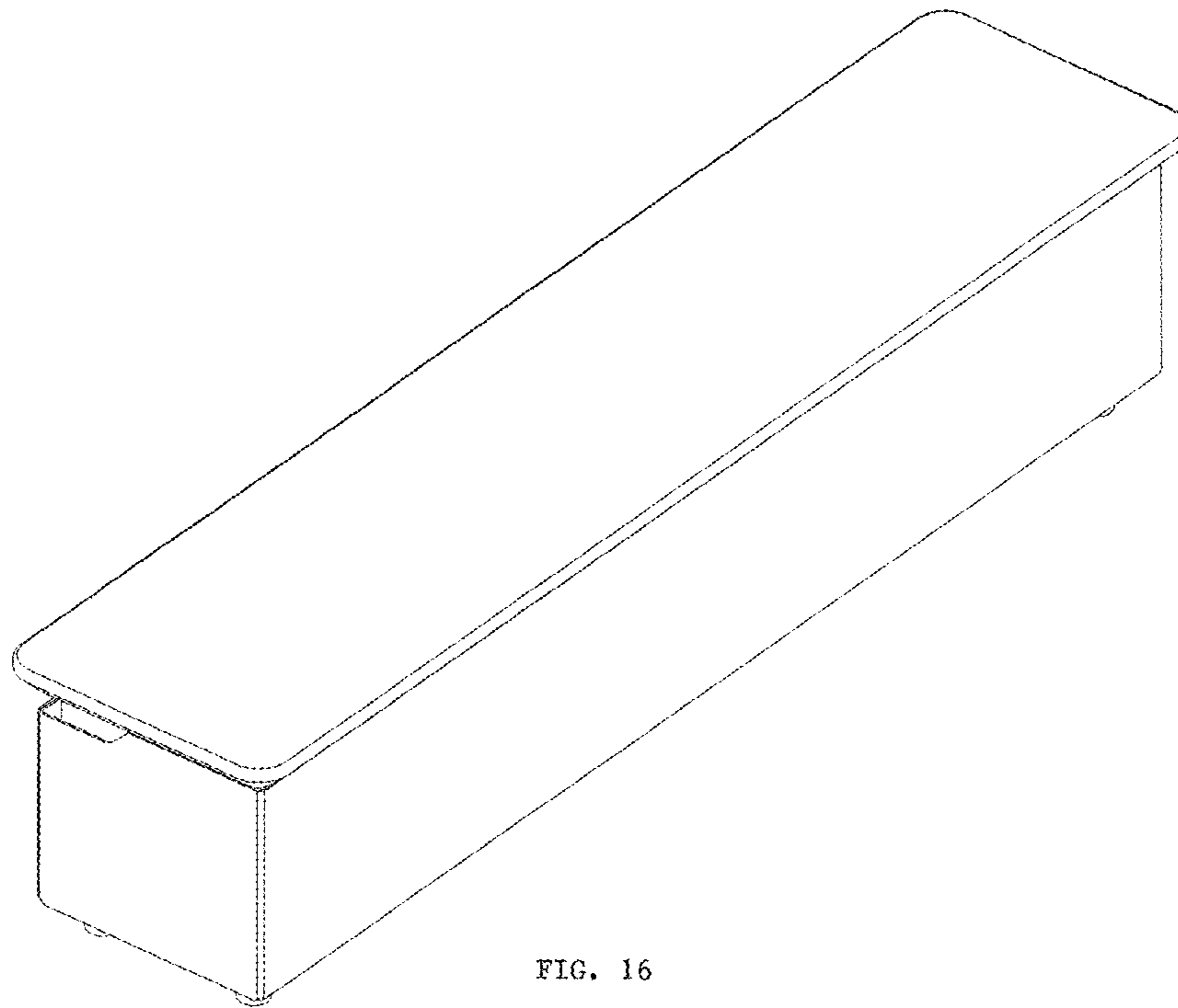


FIG. 16