



US00D795041S

(12) **United States Design Patent** (10) **Patent No.:** **US D795,041 S**  
**Oliva Camacho et al.** (45) **Date of Patent:** **\*\* \*Aug. 22, 2017**

(54) **DOOR LOCK** 7,091,429 B2 \* 8/2006 Case ..... E05B 15/02  
200/314  
(71) Applicant: **Glue Together AB**, Stockholm (SE) D588,439 S \* 3/2009 Lin ..... D8/330  
8,347,673 B2 \* 1/2013 Wang ..... E05B 37/16  
70/214  
(72) Inventors: **Juan Diego Oliva Camacho**, D682,656 S \* 5/2013 Cramer ..... D8/331  
Stockholm (SE); **Carl Johan**  
**Grandinson**, Stockholm (SE); **Tai Jung**  
**Lee**, London (GB); **Sarah Liddell**,  
Stockholm (SE) D686,056 S \* 7/2013 Li ..... D8/331  
D733,522 S \* 7/2015 Kim ..... D8/331  
9,347,241 B1 \* 5/2016 Peng ..... E05B 37/16  
D761,082 S \* 7/2016 Lu ..... D8/331  
D766,067 S \* 9/2016 Hyde ..... D8/330  
D768,463 S \* 10/2016 Kraus ..... D8/330

(73) Assignee: **Glue Together AB (SE)**

(\*) Notice: This patent is subject to a terminal disclaimer.

(\*\*) Term: **15 Years**

(21) Appl. No.: **29/558,064**

(22) Filed: **Mar. 15, 2016**

(30) **Foreign Application Priority Data**

Sep. 16, 2015 (EM) ..... 002773705

(51) **LOC (10) Cl.** ..... **08-07**

(52) **U.S. Cl.**  
USPC ..... **D8/331; D8/350**

(58) **Field of Classification Search**  
USPC ..... D8/330, 331, 334, 300, 301, 350; 70/14,  
70/20-22, 57, 57.1, 284-286, 314,  
70/DIG. 44, 266, 277, 271  
CPC ..... E05B 9/00; E05B 9/02; E05B 2009/006;  
E05B 49/00  
See application file for complete search history.

(56) **References Cited**

U.S. PATENT DOCUMENTS

D365,976 S \* 1/1996 Chiu ..... D8/301  
D513,469 S \* 1/2006 Gao ..... D8/350

FOREIGN PATENT DOCUMENTS

RU 43360 S 4/1997

\* cited by examiner

*Primary Examiner* — Prabhakar G Deshmukh

(74) *Attorney, Agent, or Firm* — Saidman DesignLaw Group, LLC

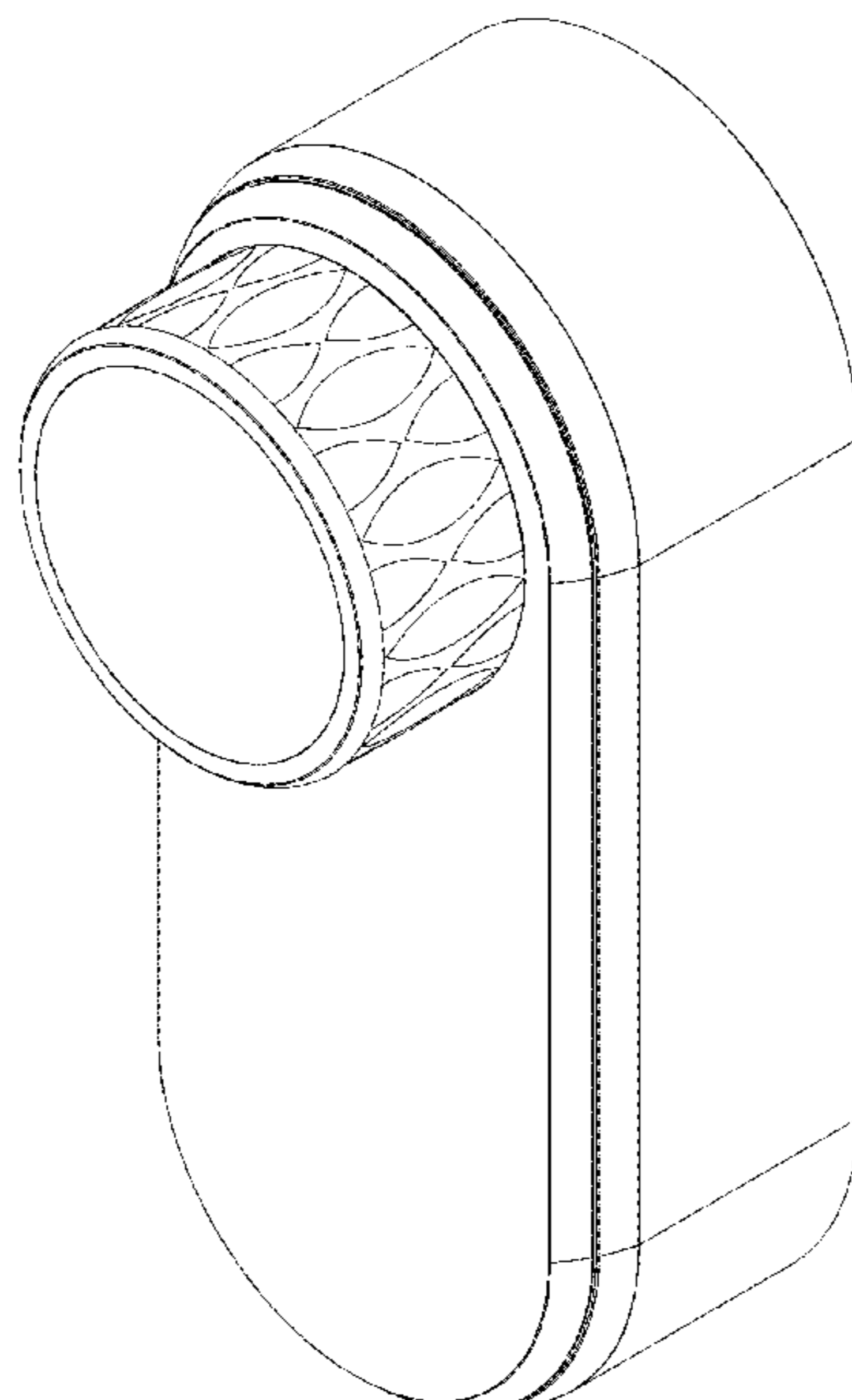
(57) **CLAIM**

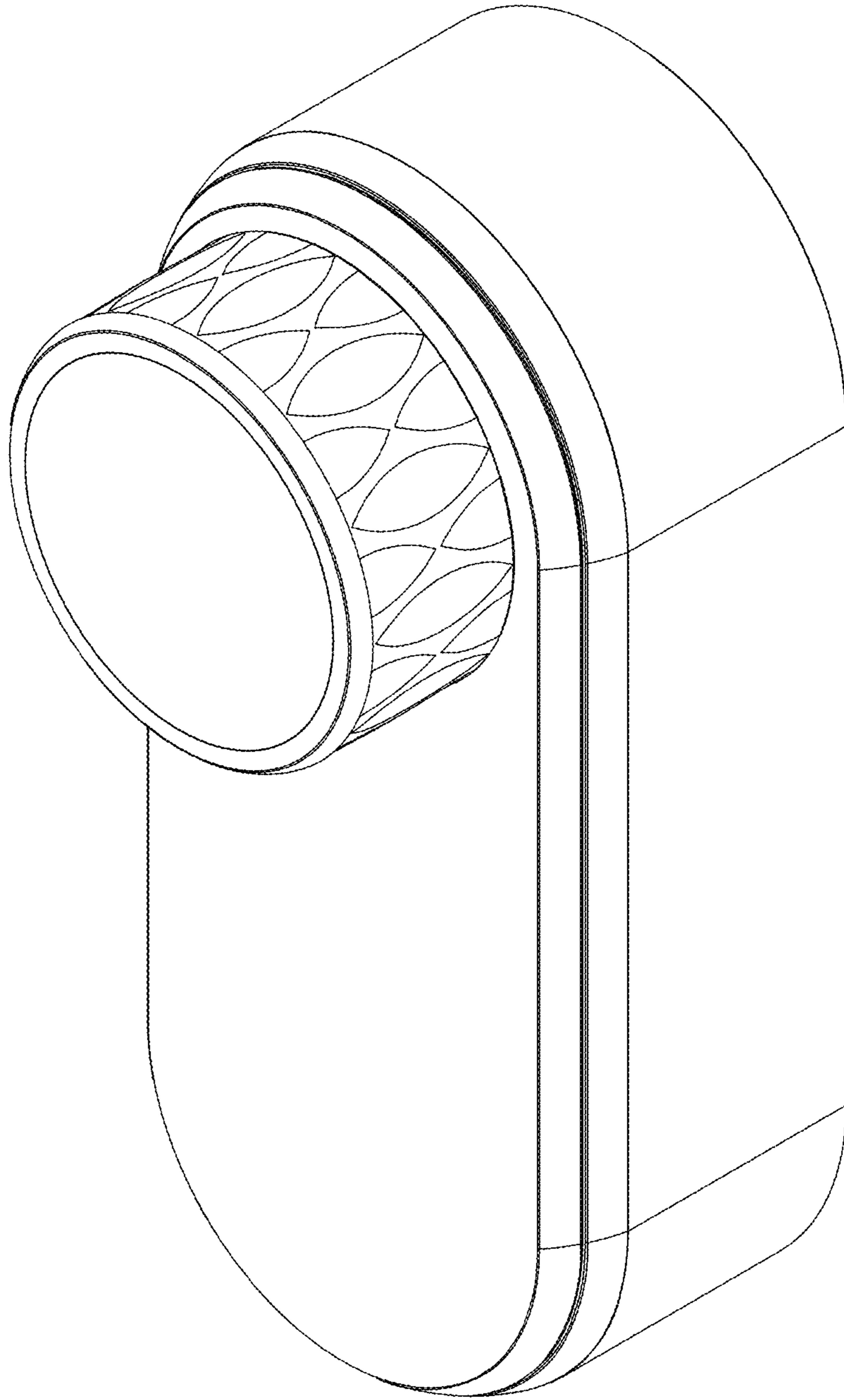
The ornamental design for a door lock, as shown and described.

**DESCRIPTION**

FIG. 1 is a perspective view of a door lock showing our new design; and,  
FIG. 2 is a perspective view thereof, in an open position.  
The broken lines illustrate structure or features that form no part of the claimed design.

**1 Claim, 2 Drawing Sheets**





**FIG. 1**

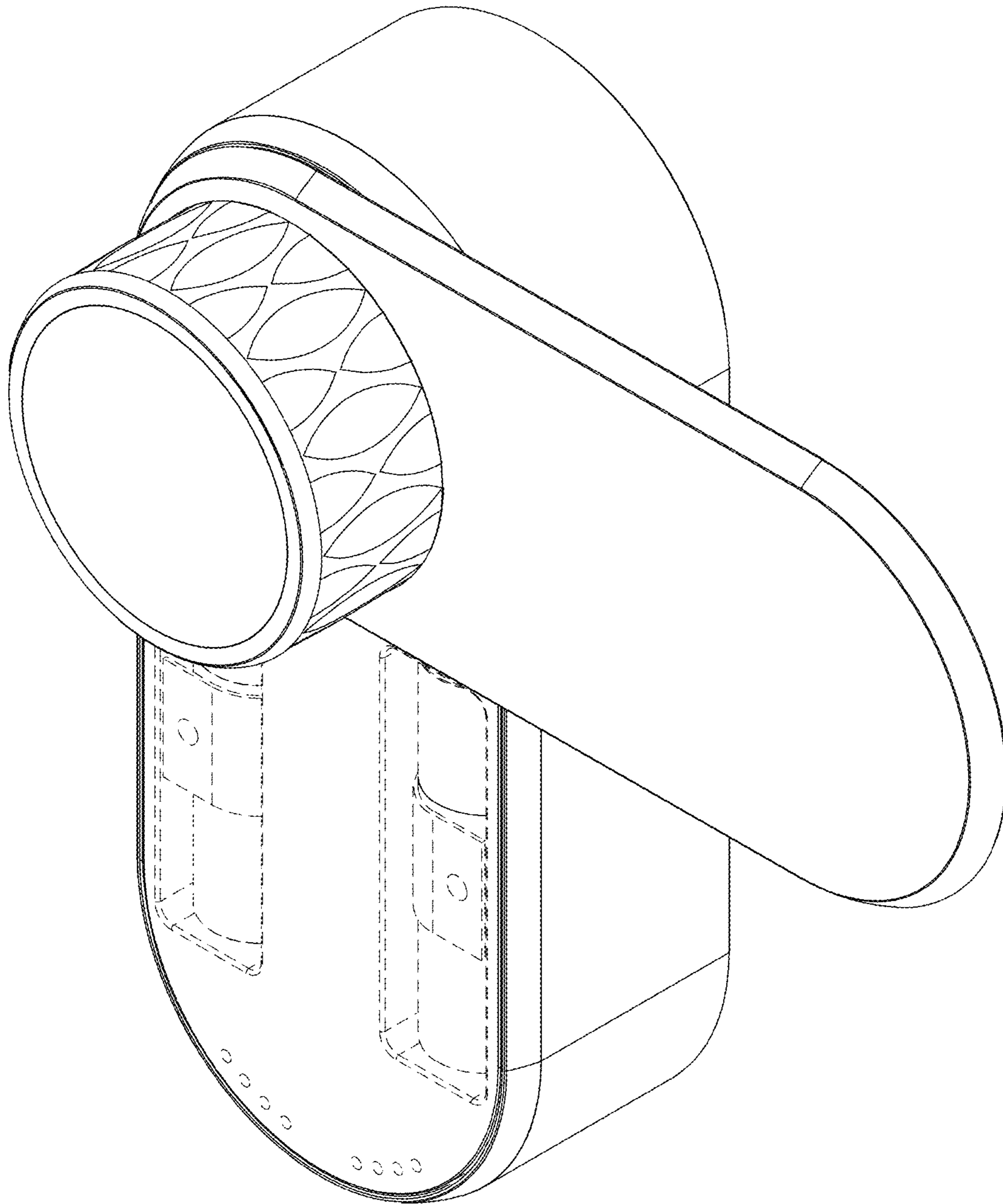


FIG. 2