



US00D795036S

(12) **United States Design Patent** (10) **Patent No.:** **US D795,036 S**
Macor (45) **Date of Patent:** **** Aug. 22, 2017**

- (54) **SLOTTED SCREWDRIVER BLADE TIP**
- (71) Applicant: **Richard J. Macor**, Hunterdon County, NJ (US)
- (72) Inventor: **Richard J. Macor**, Hunterdon County, NJ (US)
- (73) Assignee: **Proprietary Technologies, Inc.**, Easton, PA (US)
- (**) Term: **15 Years**
- (21) Appl. No.: **29/505,292**
- (22) Filed: **Sep. 3, 2015**
- (51) **LOC (10) Cl.** **08-04**
- (52) **U.S. Cl.**
USPC **D8/86**
- (58) **Field of Classification Search**
USPC D8/14, 82, 83, 84, 85, 86, 105; D9/432
CPC ... B25B 15/001; B25B 15/002; B25B 15/007;
B25B 15/00
See application file for complete search history.

- 5,269,209 A * 12/1993 Baker B25B 15/007
411/403
 - 5,317,940 A * 6/1994 Shun'ko B25B 15/007
81/436
 - 5,461,944 A * 10/1995 Ciumaga B25B 15/007
76/119
 - D412,653 S * 8/1999 Dorer D8/86
 - 6,019,022 A * 2/2000 Dotson B25B 15/00
7/165
 - 6,216,569 B1 * 4/2001 Hu B25B 15/007
81/436
 - D456,235 S * 4/2002 Song D8/86
 - D503,827 S * 4/2005 Cahill D27/189
 - D519,832 S * 5/2006 Demathieu D9/430
- (Continued)

Primary Examiner — Phillip S Hyder

(57) **CLAIM**

The ornamental design for a slotted screwdriver blade tip, as shown and described.

DESCRIPTION

This patent application may be related to one or more of the following patents and/or patent pending applications granted to the inventor herein: U.S. D583,642 S.

FIG. 1 is a perspective view of a slotted screwdriver blade tip top showing my new design;

FIG. 2 is a front elevation view thereof;

FIG. 3 is a right side elevation view thereof; and,

FIG. 4 is a bottom plan view thereof.

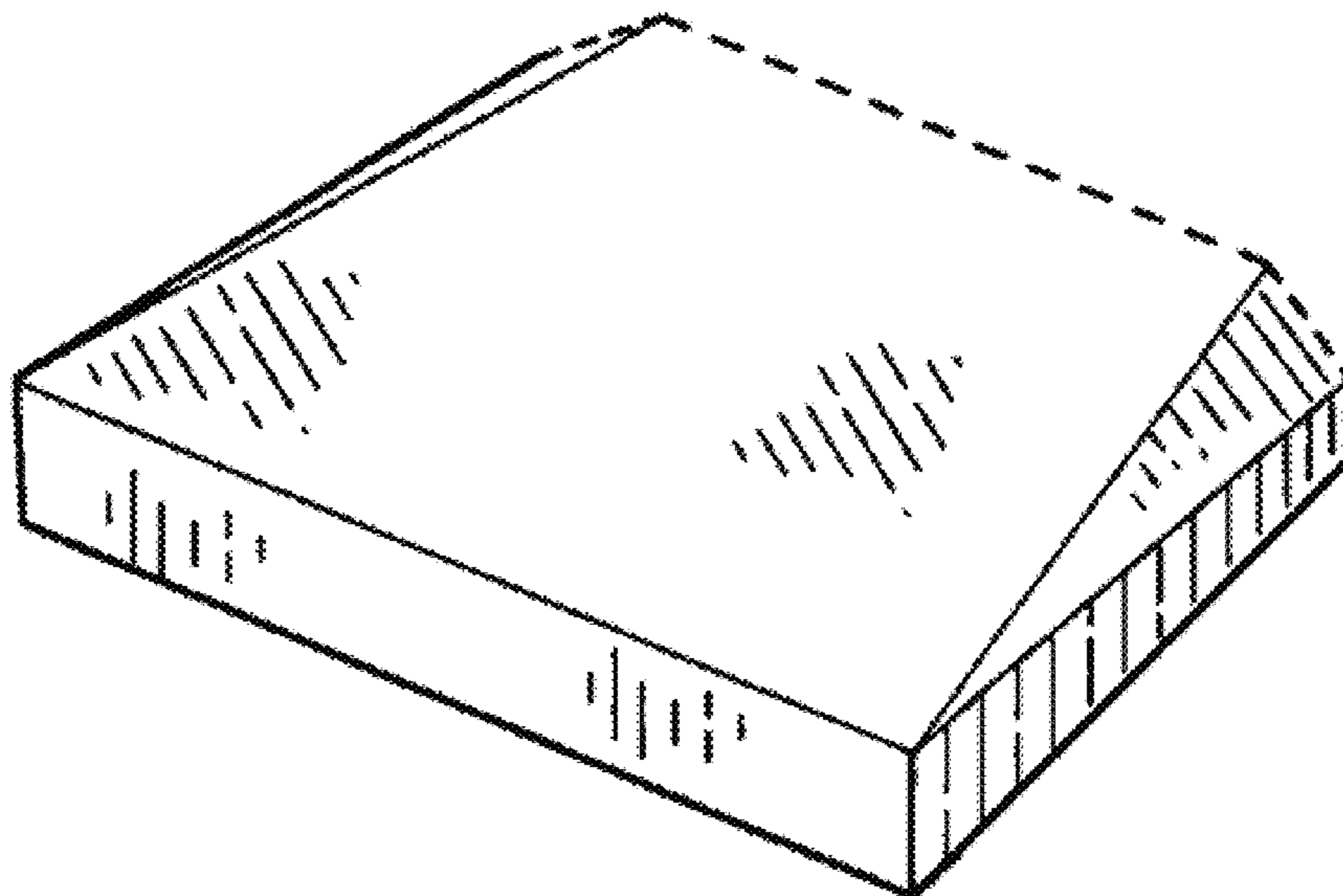
The rear elevation view is a mirror image of the front elevation view as shown.

The left side elevation view is a mirror image of the right side elevation view as shown.

The top of the slotted screwdriver blade tip forms no part of the claimed design.

The broken line disclosure in FIGS. 1-4 define the boundary of the claimed subject matter, but form no part of it.

1 Claim, 1 Drawing Sheet



(56)

References Cited

U.S. PATENT DOCUMENTS

D583,642 S * 12/2008 Macor D8/86
D607,318 S * 1/2010 Collins B65D 85/1045
D9/423

* cited by examiner

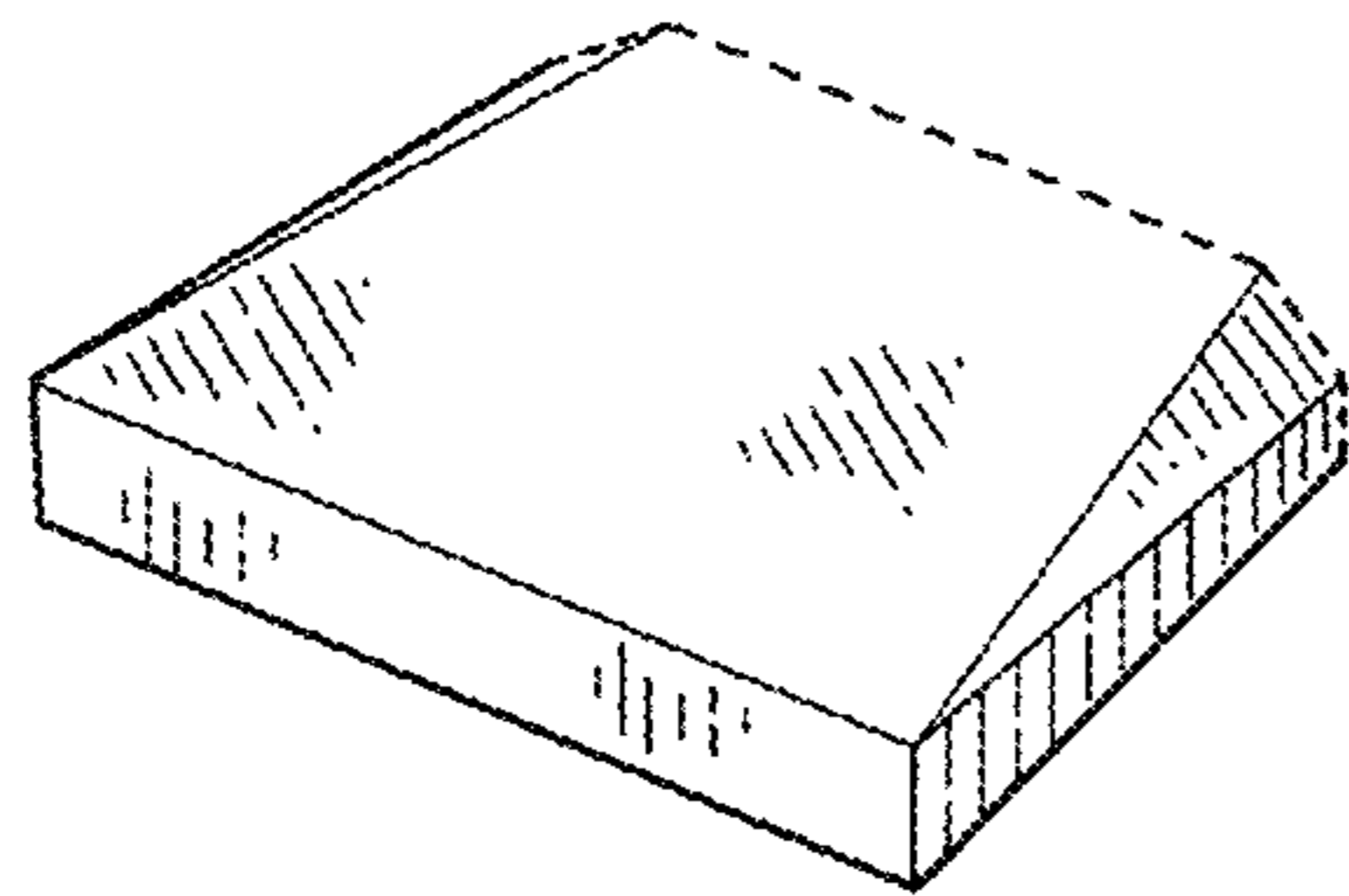


FIG. 1

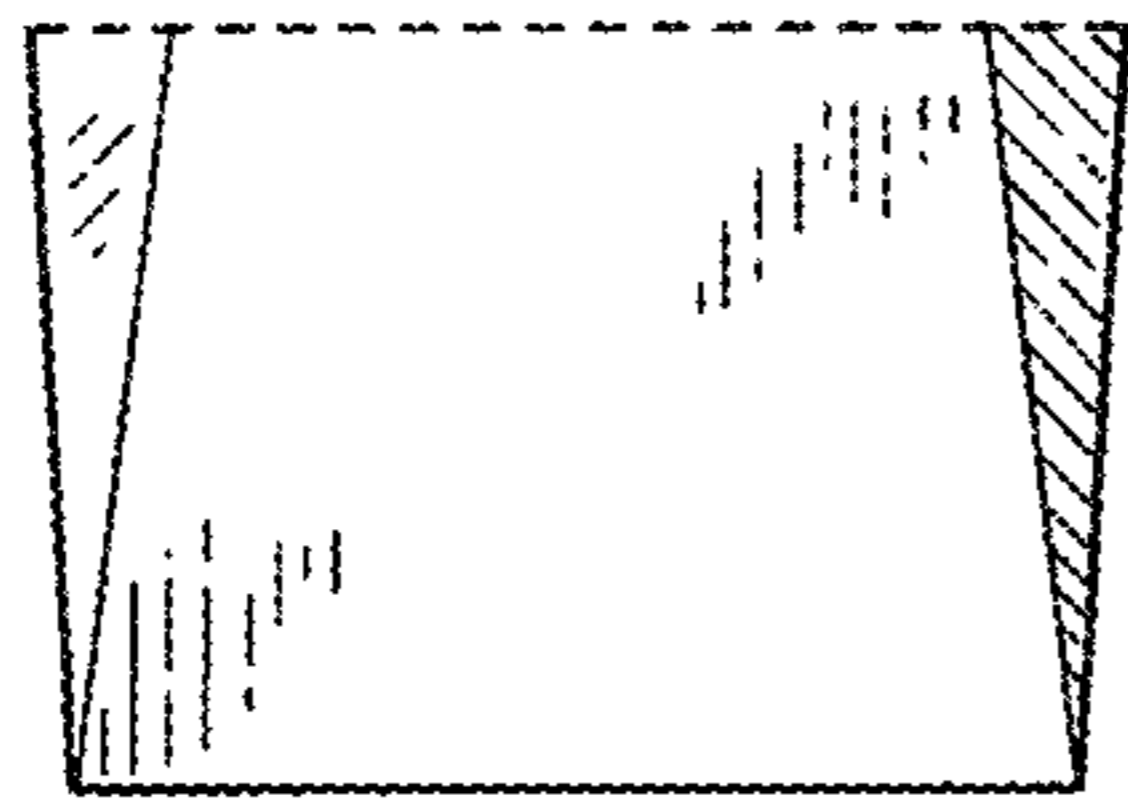


FIG. 2



FIG. 3



FIG. 4