



US00D795035S

(12) **United States Design Patent**
Lim

(10) **Patent No.:** **US D795,035 S**

(45) **Date of Patent:** **** Aug. 22, 2017**

(54) **DIAMOND SAW BLADE**

(71) Applicant: **GANG YAN DIAMOND PRODUCTS, INC.**, Montclair, CA (US)

(72) Inventor: **Doris Lim**, Montclair, CA (US)

(73) Assignee: **GANG YAN DIAMOND PRODUCTS, INC.**, Montclair, CA (US)

(**) Term: **14 Years**

(21) Appl. No.: **29/519,139**

(22) Filed: **Mar. 2, 2015**

(51) **LOC (10) Cl.** **08-05**

(52) **U.S. Cl.**
USPC **D8/70**

(58) **Field of Classification Search**
USPC D8/16, 19, 20, 64, 66, 70, 74, 90-99;
D15/127, 133, 138, 139; D22/117, 118,
D22/146, 147; 7/118, 148; 30/142, 144,
30/165, 166.3, 272.1, 314, 320, 346,
30/346.5, 346.55, 346.56, 346.6, 351,
30/355, 357; 83/676, 835, 837-850
CPC B23D 61/025; B24D 5/12; B24D 5/123;
B27B 5/30; B28D 1/041; B28D 1/121
See application file for complete search history.

(56) **References Cited**

U.S. PATENT DOCUMENTS

4,739,745	A *	4/1988	Browning	B28D 1/121	125/15
D323,965	S *	2/1992	Moller		D8/70
D341,304	S *	11/1993	Johnston		D8/64
D349,442	S *	8/1994	Johnston		D8/70
D364,791	S *	12/1995	Dorma		D8/70
D368,419	S *	4/1996	Dorma		D8/70
D380,660	S *	7/1997	Gakhar		D8/70

D382,185	S *	8/1997	Gakhar		D8/70
D382,186	S *	8/1997	Gakhar		D8/70
D382,786	S *	8/1997	Achterberg		D8/70
D382,787	S *	8/1997	Gakhar		D8/70
D383,368	S *	9/1997	Achterberg		D8/74
D392,864	S *	3/1998	Koike		D15/139
D417,598	S *	12/1999	Dibbern		D8/70
D422,865	S *	4/2000	Koike		D15/139
6,638,153	B2 *	10/2003	Lee		B24D 3/06
						125/12
D513,952	S *	1/2006	Lee		D8/70
D526,553	S *	8/2006	Um		D8/70

(Continued)

Primary Examiner — Darlington Ly

(74) *Attorney, Agent, or Firm* — John Alunit

(57) **CLAIM**

I claim the ornamental design for a diamond saw blade, as shown and described.

DESCRIPTION

FIG. 1 is a top plan view of a diamond saw blade showing my new design;

FIG. 2 is a bottom plan view of the diamond saw blade in FIG. 1;

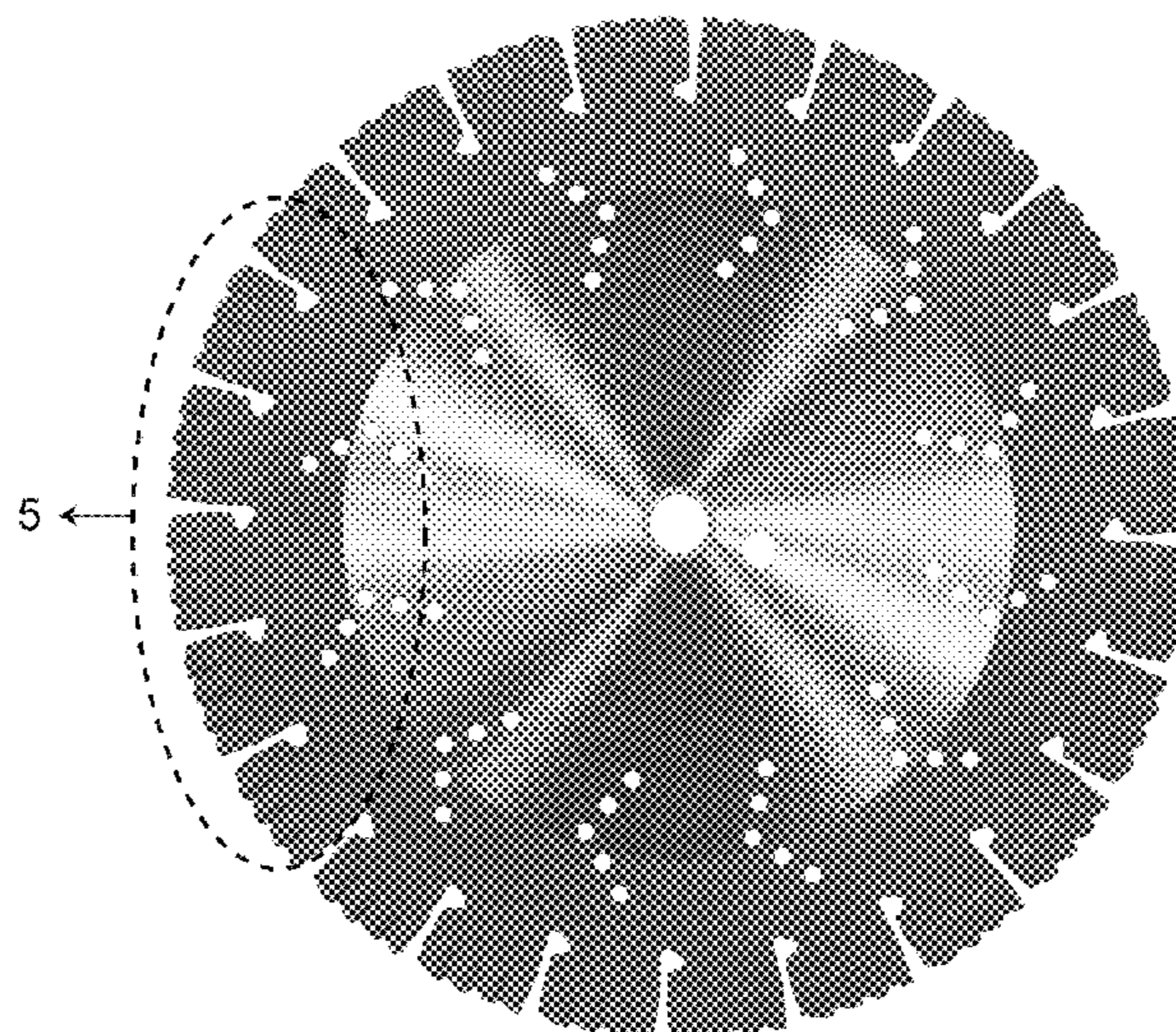
FIG. 3 is an enlarged and partial top perspective view of the diamond saw blade in FIG. 1;

FIG. 4 is an enlarged and partial top perspective view of a single set of teeth of the diamond saw blade in FIG. 1, wherein the area of enlargement is taken at the broken line reference bubble marked 4 in FIG. 3; and,

FIG. 5 is an enlarged and partial side perspective view of the diamond saw blade in FIG. 1, wherein the area of enlargement is taken at the broken line reference bubble marked 5 in FIG. 1.

The broken lines in the drawings illustrate graphical symbols of cutaway areas and reference bubbles for enlargement views. The aforementioned graphical symbols do form part of the claimed design.

1 Claim, 5 Drawing Sheets



(56)

References Cited

U.S. PATENT DOCUMENTS

7,178,517	B1 *	2/2007	Yu	B24D 5/12
				125/13.01
D553,934	S *	10/2007	Gavins	D8/70
D579,297	S *	10/2008	Jeiziner	D8/70
7,444,914	B2 *	11/2008	Brach	B23D 61/025
				83/665
D585,717	S *	2/2009	Aigner	D8/70
D587,979	S *	3/2009	Jeiziner	D8/70
D622,120	S *	8/2010	Brutscher	D8/70

* cited by examiner

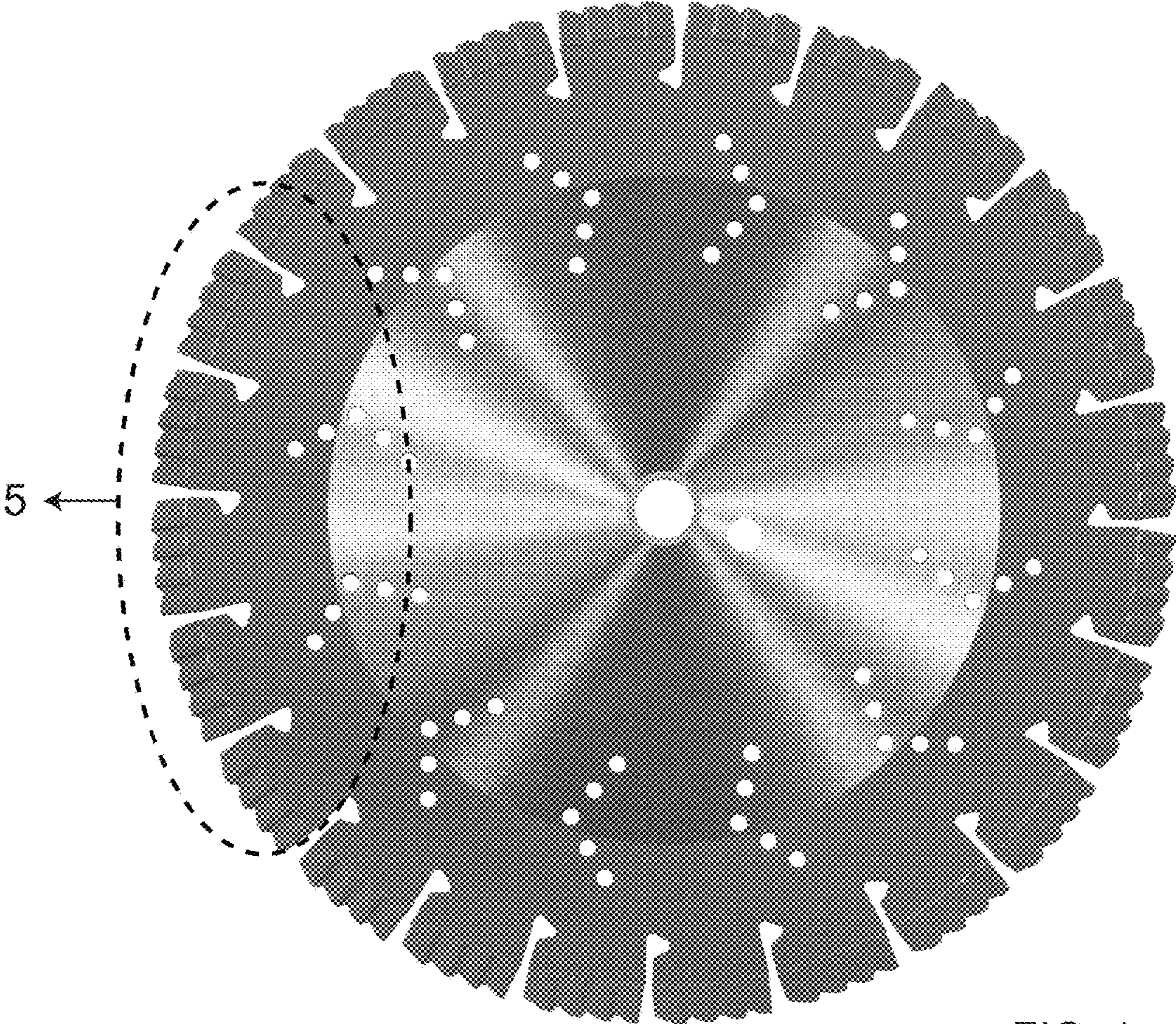


FIG. 1

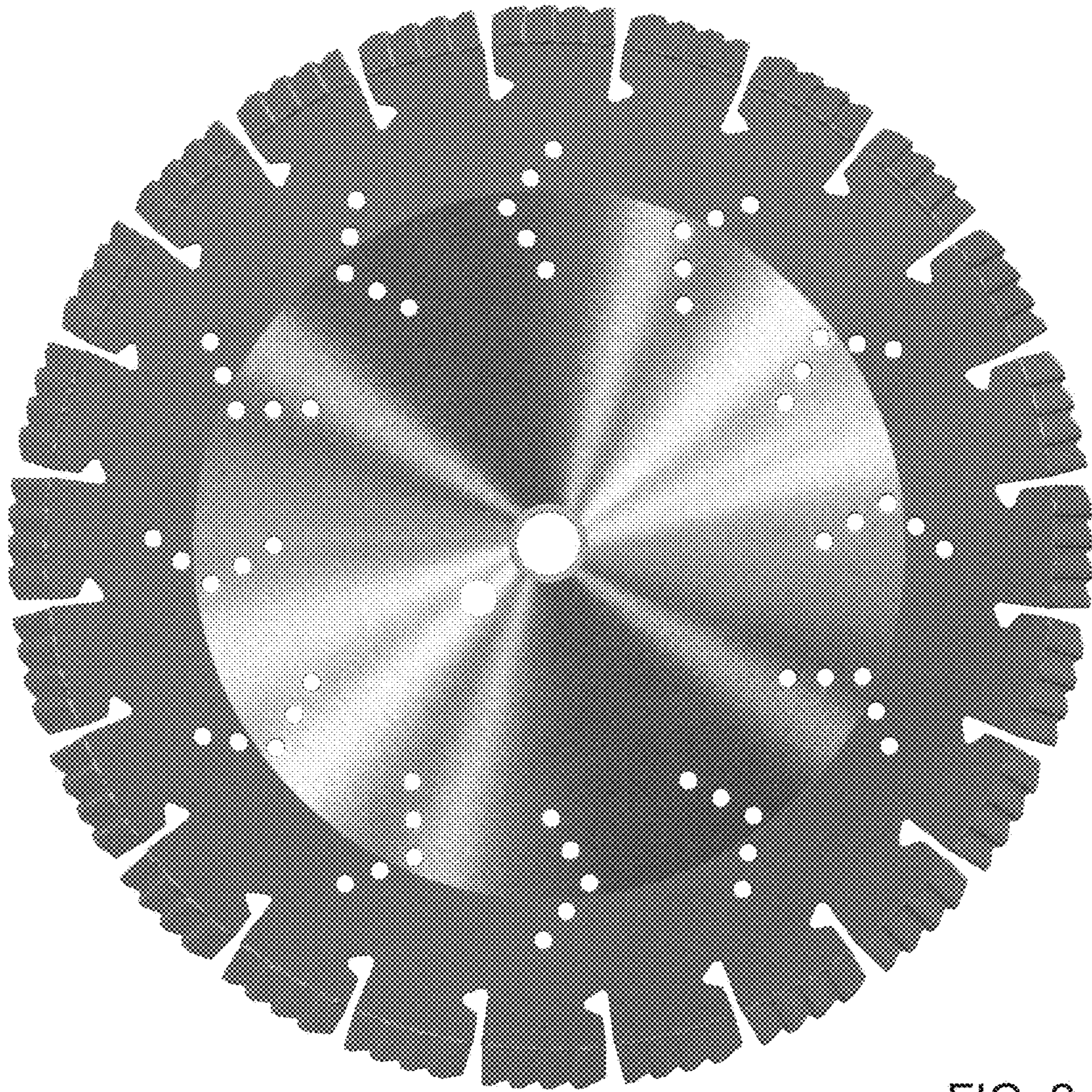
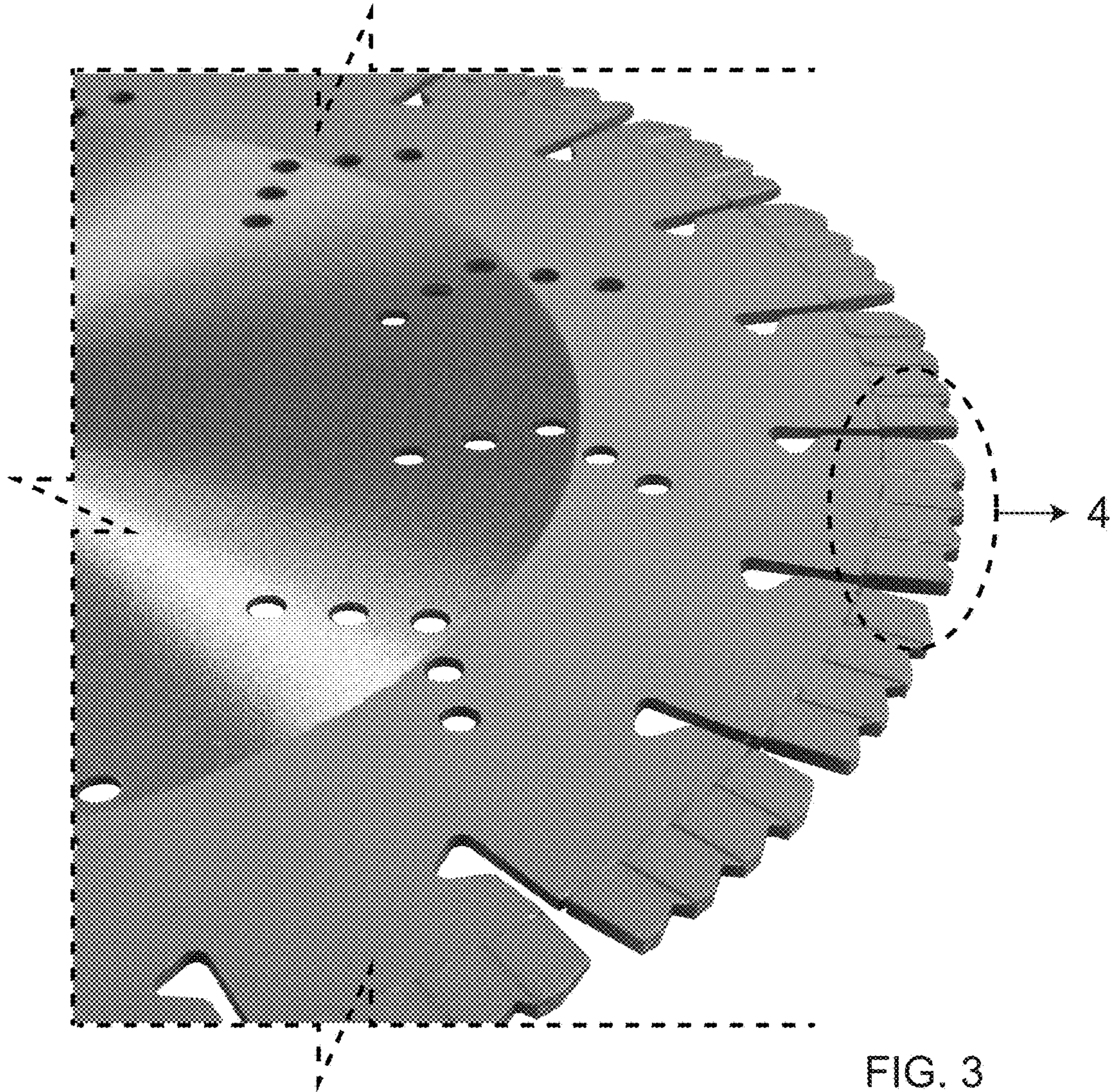


FIG. 2



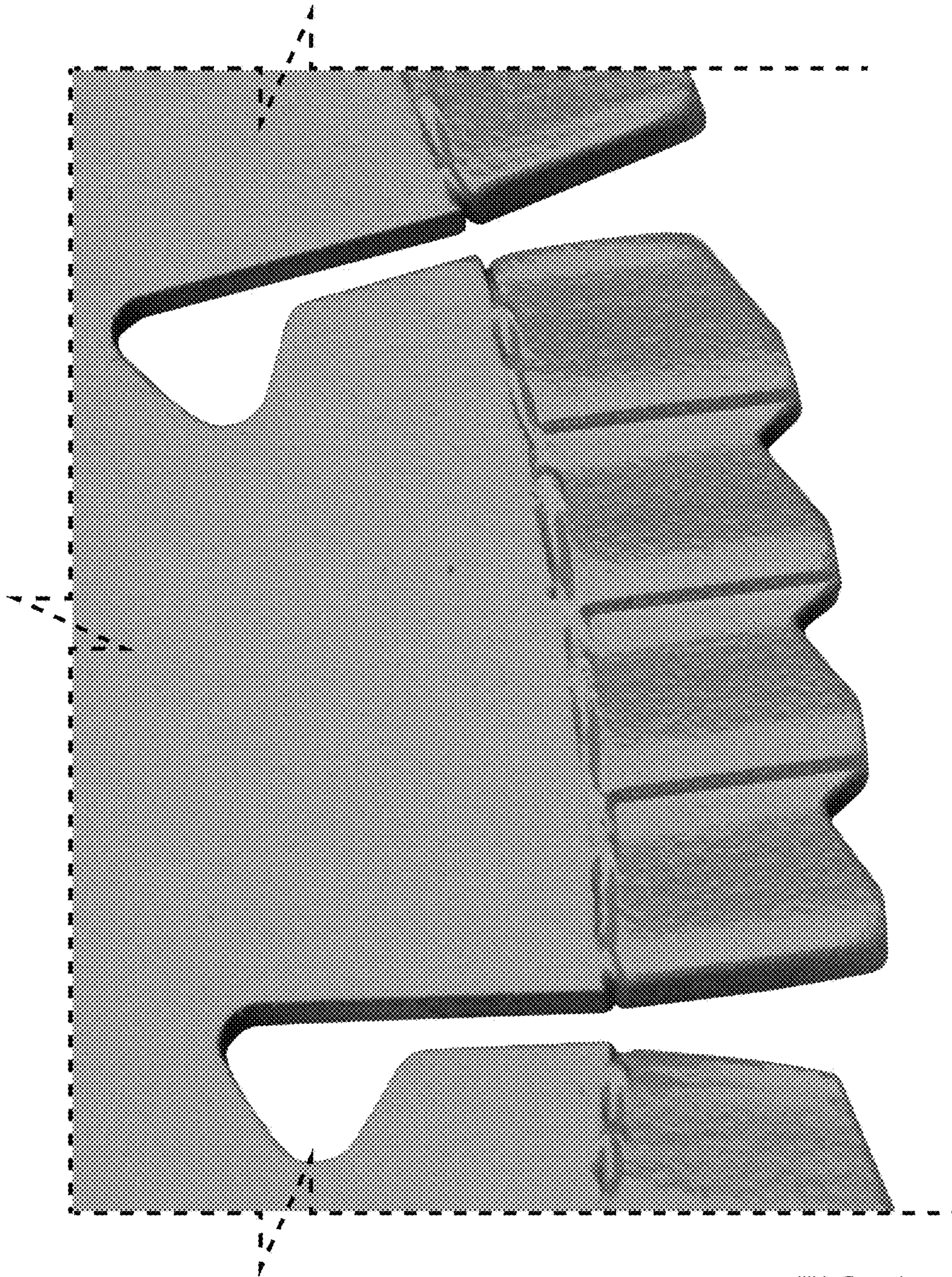


FIG. 4

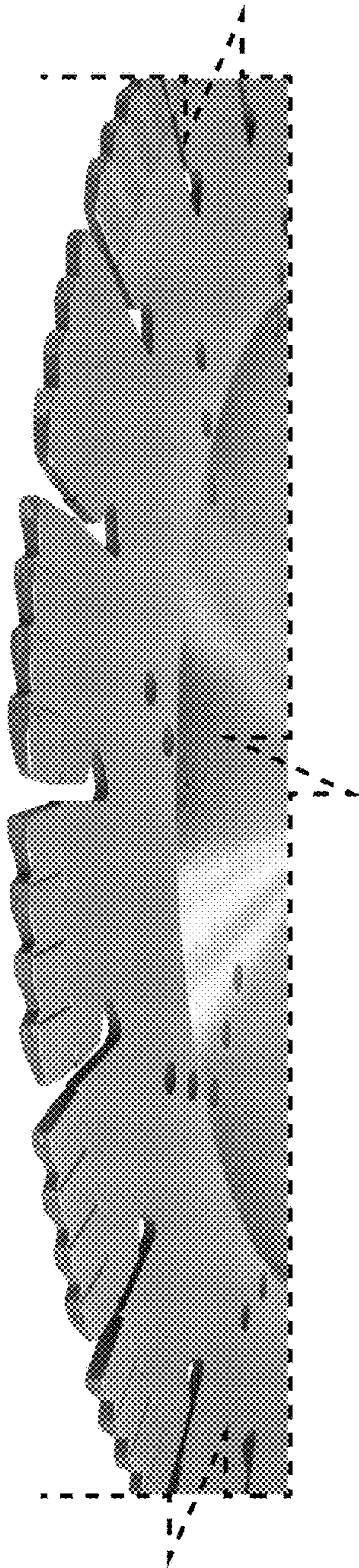


FIG. 5