



US00D795033S

(12) **United States Design Patent** (10) **Patent No.:** **US D795,033 S**  
**Lee** (45) **Date of Patent:** **\*\* Aug. 22, 2017**

(54) **SCISSORS**  
(71) Applicant: **Yi-Lin Lee**, Changhua County (TW)  
(72) Inventor: **Yi-Lin Lee**, Changhua County (TW)  
(73) Assignee: **Yi-Lin Lee**, Changhua County (TW)  
(\*\*) Term: **15 Years**  
(21) Appl. No.: **29/570,354**  
(22) Filed: **Jul. 7, 2016**  
(51) **LOC (10) Cl.** ..... **08-03**  
(52) **U.S. Cl.**  
USPC ..... **D8/57; D8/5**  
(58) **Field of Classification Search**  
USPC ..... D8/4, 5, 51-58  
CPC ..... A01G 3/02; B26B 13/16  
See application file for complete search history.

D714,597 S \* 10/2014 Lee ..... D8/5  
D718,590 S \* 12/2014 Roberts ..... D8/57  
D775,918 S \* 1/2017 Lee ..... D8/57

\* cited by examiner

*Primary Examiner* — Deanna L Pratt  
(74) *Attorney, Agent, or Firm* — WPAT, P.C., Intellectual Property Attorneys; Anthony King

(57) **CLAIM**

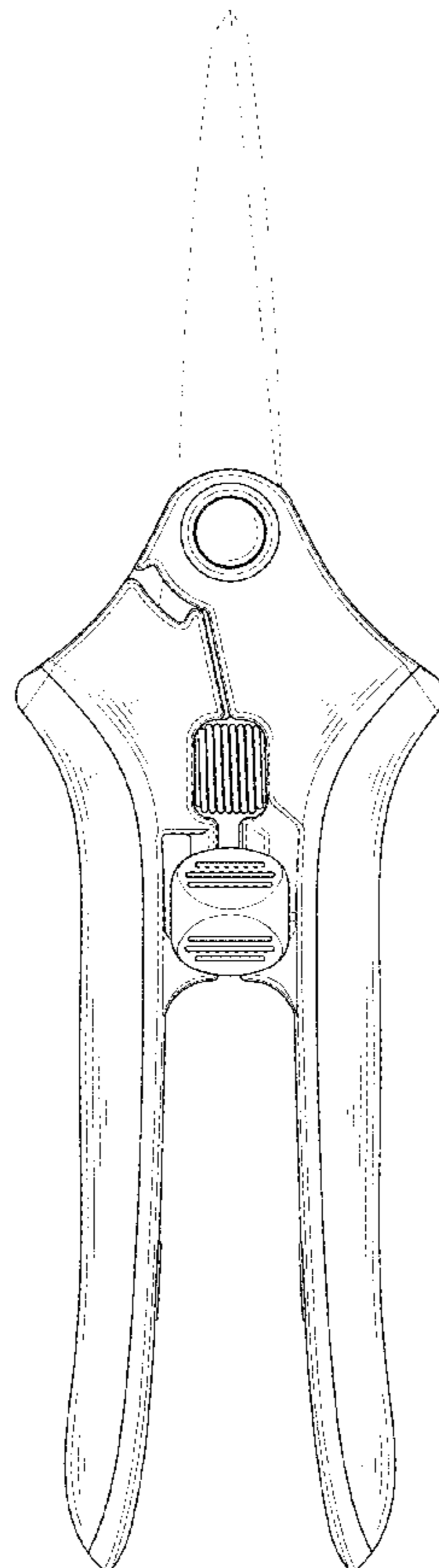
The ornamental design for scissors, as shown and described.

**DESCRIPTION**

FIG. 1 is a perspective view of scissors, showing my new design;  
FIG. 2 is another perspective view thereof;  
FIG. 3 is a front view thereof;  
FIG. 4 is rear front view thereof;  
FIG. 5 is a left side view thereof;  
FIG. 6 is a right side view thereof;  
FIG. 7 is a top view thereof; and,  
FIG. 8 is a bottom view thereof.  
The broken lines in the drawings illustrate portions of the scissors that form no part of the claimed design.

(56) **References Cited**  
U.S. PATENT DOCUMENTS  
D353,523 S \* 12/1994 Her ..... D8/5  
D354,890 S \* 1/1995 Concari ..... D8/5  
D427,859 S \* 7/2000 Deville ..... D8/5  
D427,860 S \* 7/2000 Deville ..... D8/5  
D431,761 S \* 10/2000 Deville ..... D8/5  
D705,023 S \* 5/2014 Chen ..... D8/5

**1 Claim, 8 Drawing Sheets**



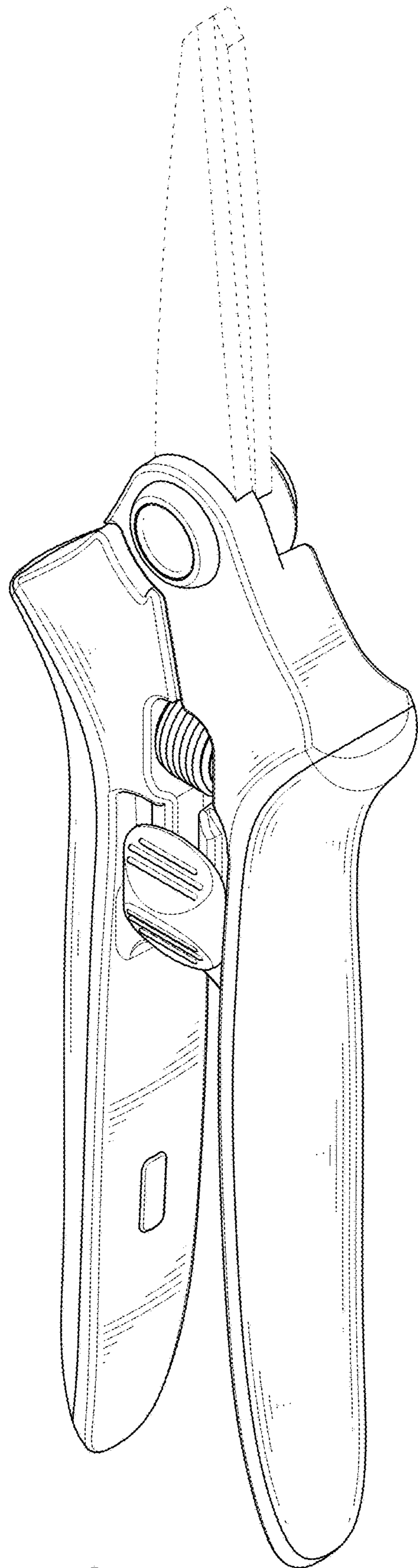


FIG.1

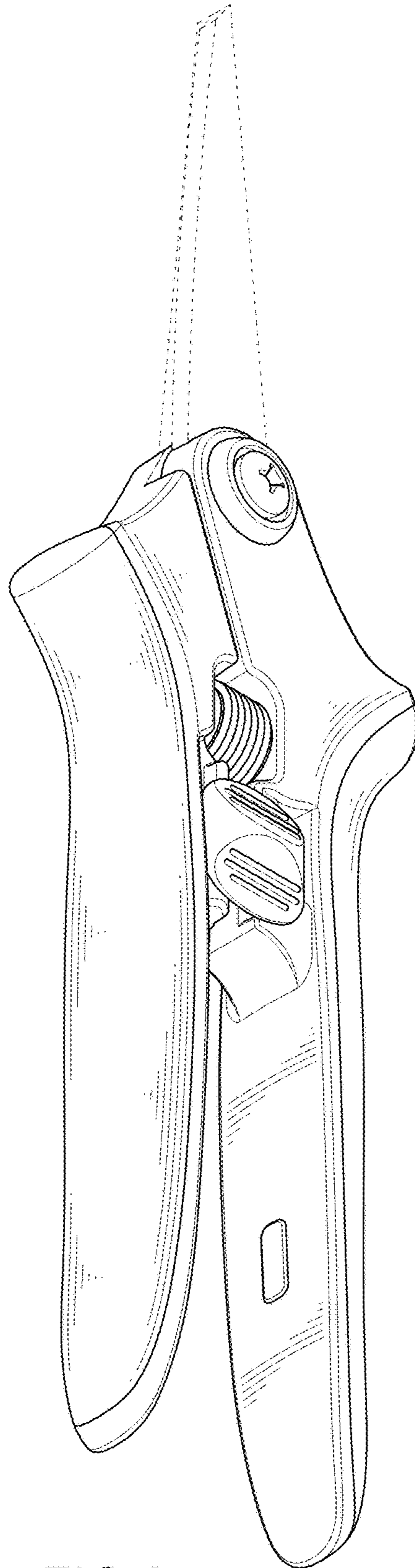


FIG.2

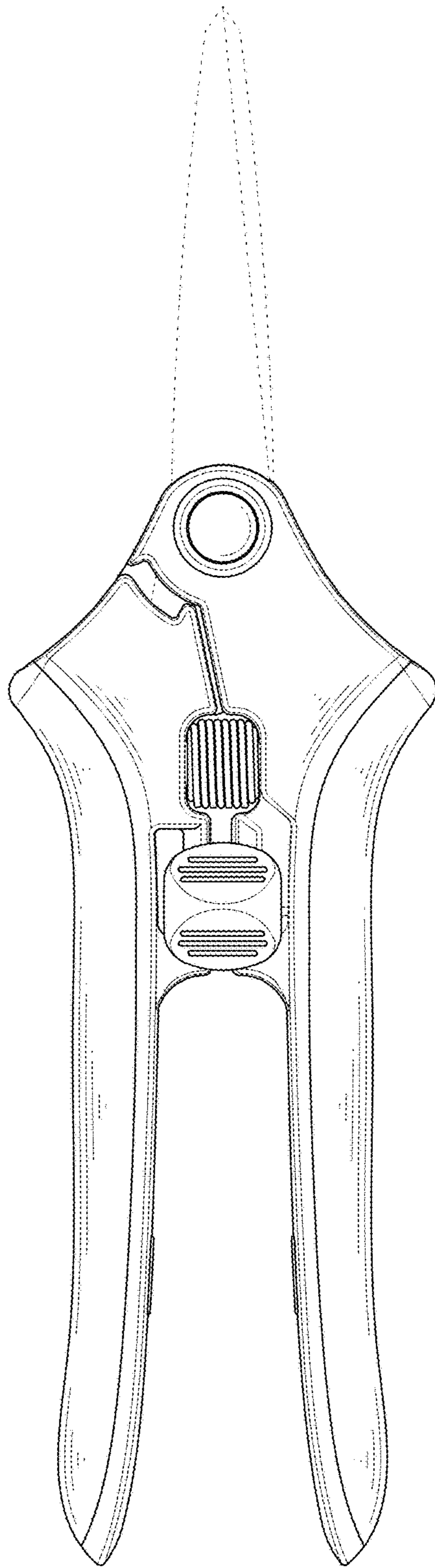


FIG.3

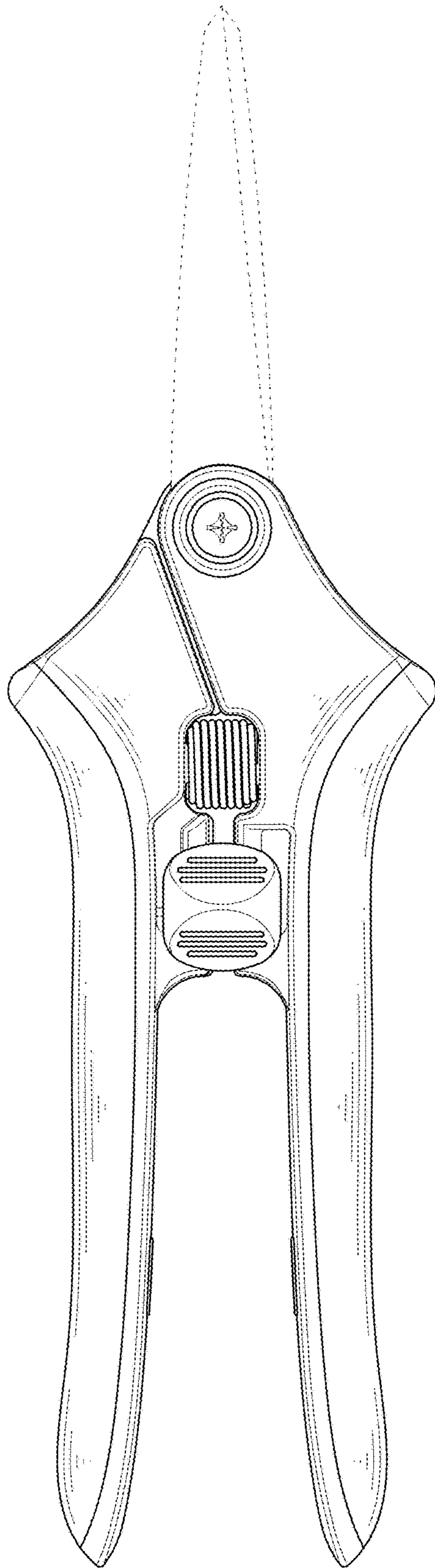


FIG.4

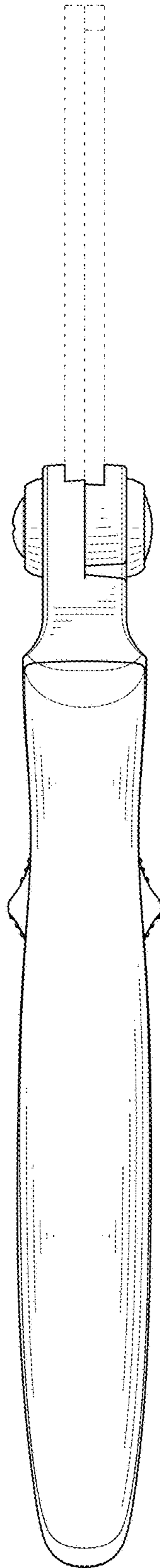


FIG.5



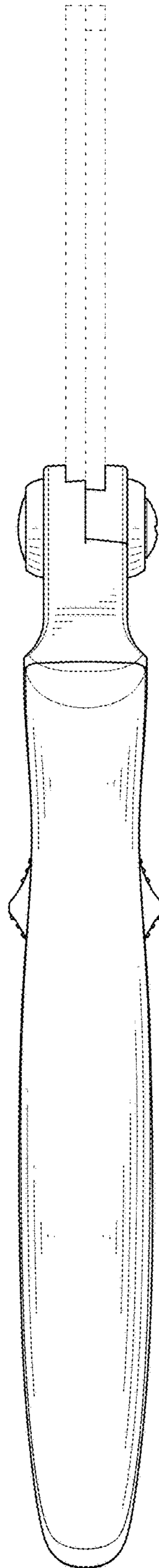


FIG.6

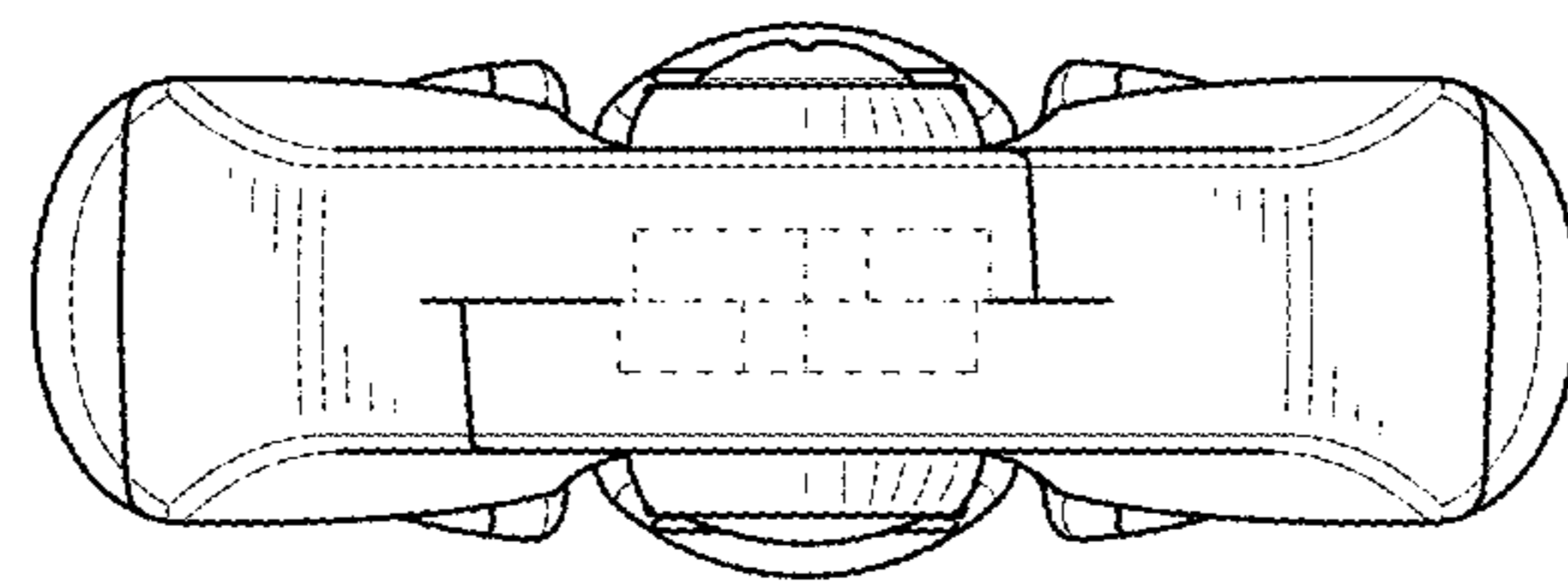


FIG.7



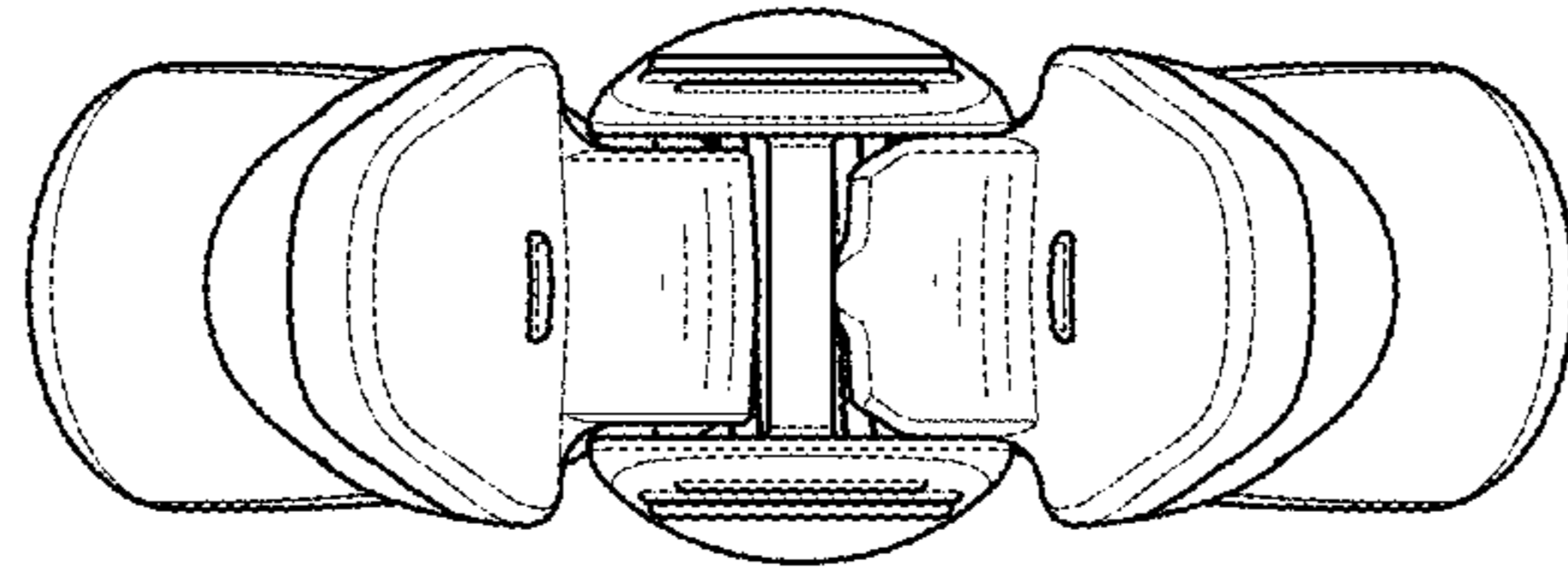


FIG.8