



US00D795031S

(12) **United States Design Patent** (10) **Patent No.:** **US D795,031 S**  
**Jones et al.** (45) **Date of Patent:** **\*\* Aug. 22, 2017**

(54) **MORTAR GUIDE**

(71) Applicant: **Bricky Mate Limited**, Chepstow (GB)  
(72) Inventors: **Graham Jones**, Chepstow (GB); **Garry Catchpole**, Chepstow (GB)  
(73) Assignee: **BRICKY MATE LIMITED**, Chepstow (GB)  
(\*\*) Term: **14 Years**  
(21) Appl. No.: **29/517,463**

(22) Filed: **Feb. 12, 2015**  
(51) **LOC (10) Cl.** ..... **08-05**  
(52) **U.S. Cl.**  
USPC ..... **D8/45**  
(58) **Field of Classification Search**  
USPC ..... D8/14, 45; D10/64  
CPC .. E04B 2/02; E04F 21/06; E04F 21/22; E04G 21/18; E04G 21/1825; E04G 21/1841; E04G 21/20; G01C 15/10  
See application file for complete search history.

(56) **References Cited**

**U.S. PATENT DOCUMENTS**

889,943	A *	6/1908	Maddux	.....	E04G 21/20 425/87
1,556,616	A *	10/1925	Landkamer	.....	E04G 21/20 425/87
1,780,902	A *	11/1930	Ainslie	.....	E04G 21/20 425/87
3,545,159	A *	12/1970	Brewer	.....	E04G 21/20 222/611.2
4,074,503	A *	2/1978	Watt	.....	E04G 21/20 249/19
4,093,172	A *	6/1978	Johnson	.....	E04G 21/22 249/188
4,766,635	A *	8/1988	DeVitis	.....	B28B 11/08 15/235.4
D314,895	S *	2/1991	Rumpel	.....	D8/14
5,125,814	A *	6/1992	Lester	.....	E04G 21/20 222/611.1

(Continued)

**OTHER PUBLICATIONS**

Bricky Wall Building Tool. Downloaded from <http://bricky.com/building-tools/the-new-bricky-wall-building-tool/> on Jan. 12, 2016.\*

*Primary Examiner* — Philip S Hyder  
*Assistant Examiner* — Roselynn Cody  
(74) *Attorney, Agent, or Firm* — Oblon, McClelland, Maier & Neustadt, L.L.P.

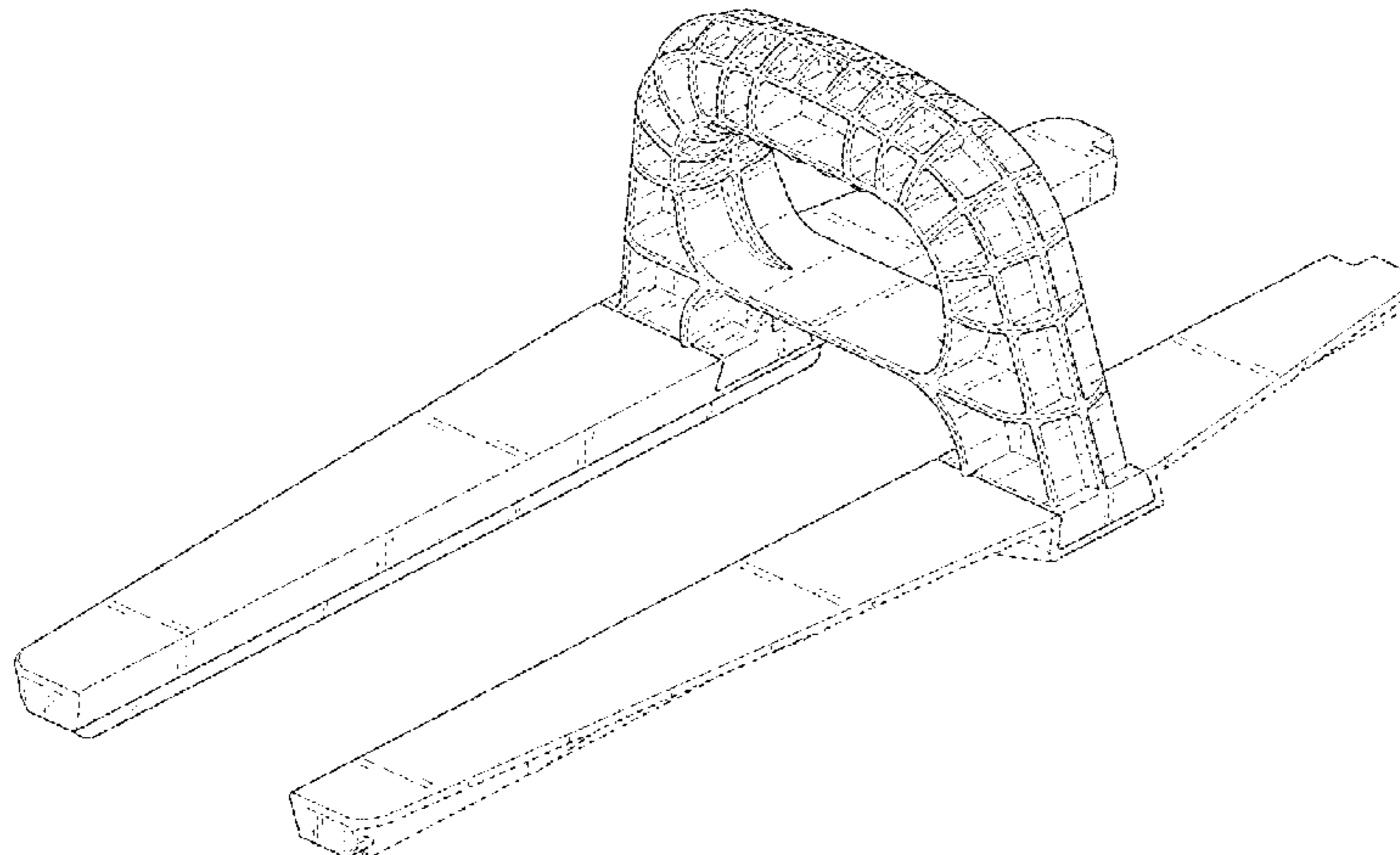
(57) **CLAIM**

The ornamental design for a mortar guide, as shown and described.

**DESCRIPTION**

The present application is related to UK Patent Application GB 2504832, filed Jun. 10, 2013, the entire contents and disclosure of which are incorporated by reference herein. The present application is also related to Community Design No. 002632695, filed Feb. 12, 2015, in the name of Bricky Mate Limited, the entire contents and disclosure of which are also incorporated by reference herein. FIG. 1 is a front, top, and right side perspective view of a mortar guide; FIG. 2 is a front, bottom, and left side perspective view thereof; FIG. 3 is a front elevational view thereof; FIG. 4 is a rear elevational view thereof; FIG. 5 is a left side elevational view thereof; FIG. 6 is a right side elevational view thereof; FIG. 7 is a top plan view thereof; and, FIG. 8 is a bottom plan view thereof. The broken lines in the drawings depict portions of the mortar guide that form no part of the claimed design.

**1 Claim, 7 Drawing Sheets**



(56)

**References Cited**

U.S. PATENT DOCUMENTS

5,459,938 A \* 10/1995 Knight ..... E04F 21/22  
33/518  
D401,281 S \* 11/1998 Huerta ..... D19/67  
8,684,717 B2 \* 4/2014 Kim ..... E04F 21/24  
33/526  
2005/0034416 A1 \* 2/2005 Marshall ..... E04G 21/20  
52/749.1  
2007/0017107 A1 \* 1/2007 Howell ..... E04G 21/1841  
33/404

\* cited by examiner

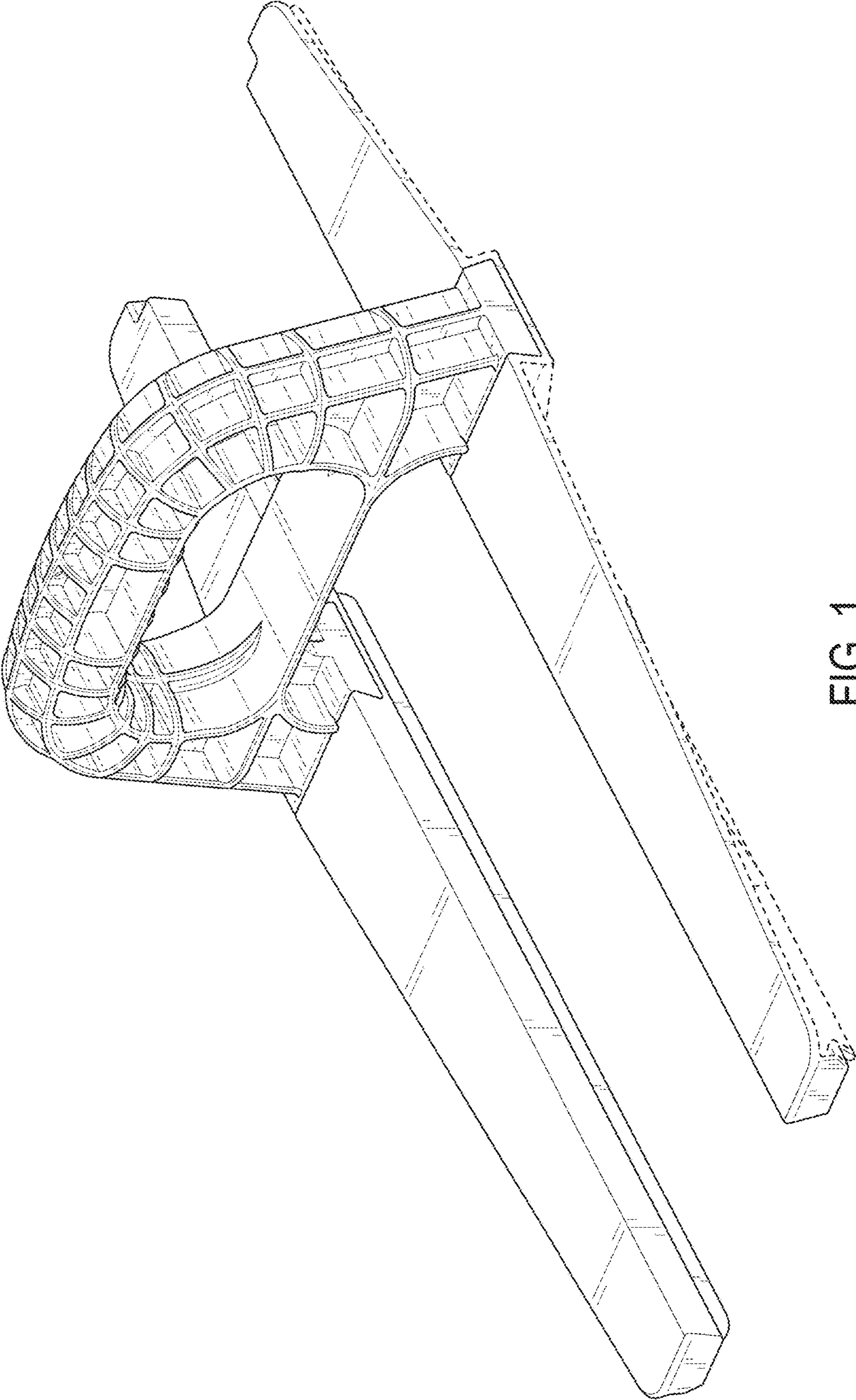


FIG. 1



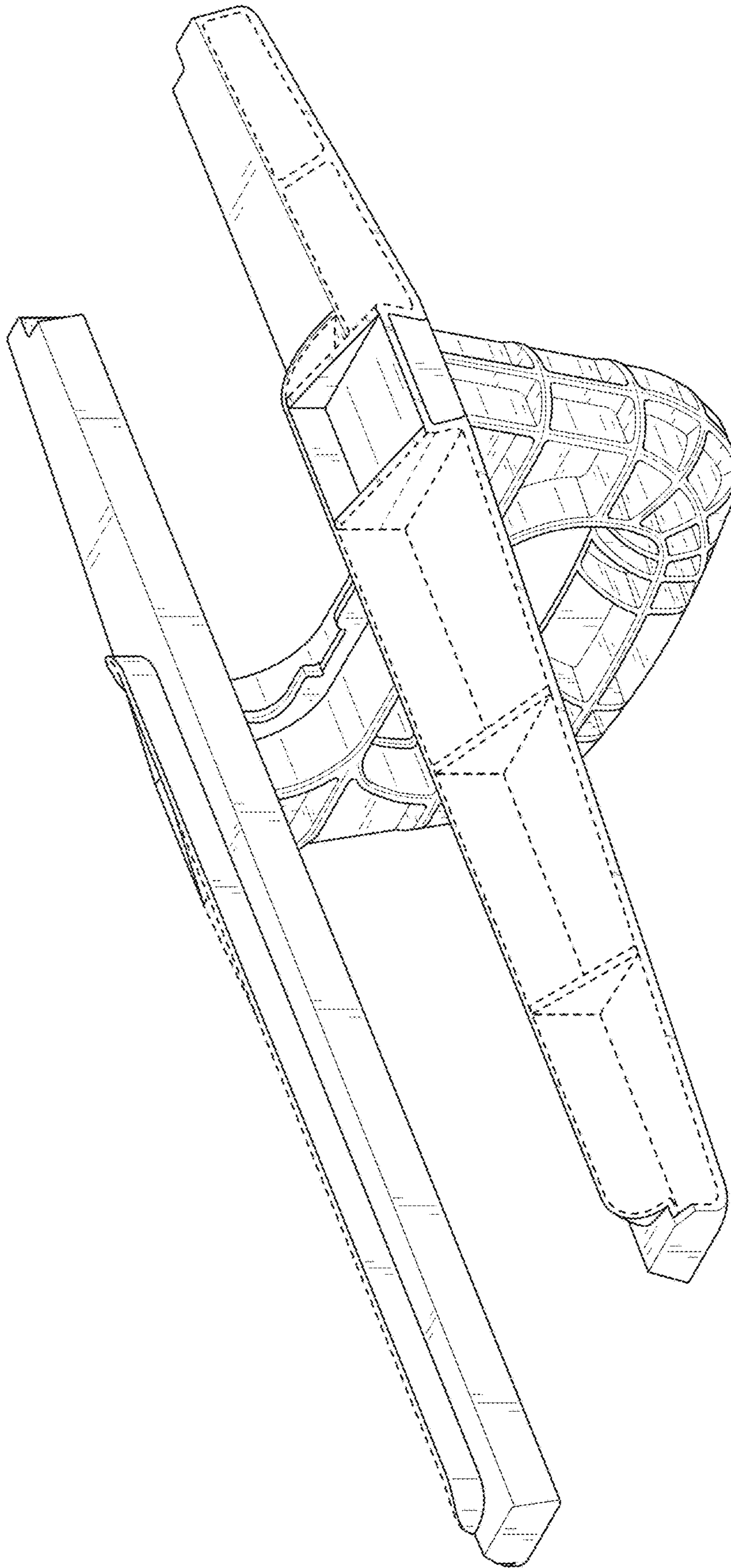


FIG. 2

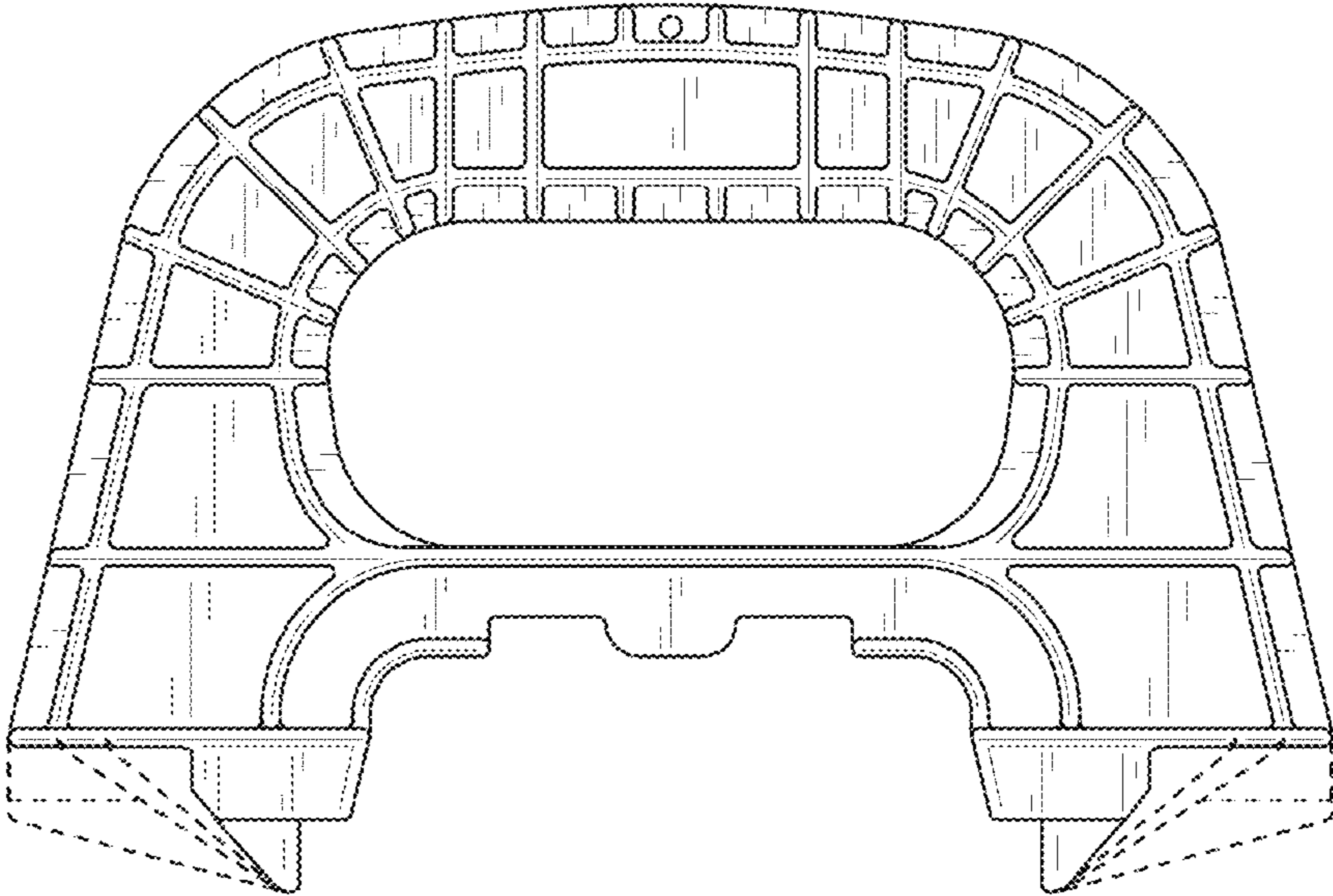


FIG. 3

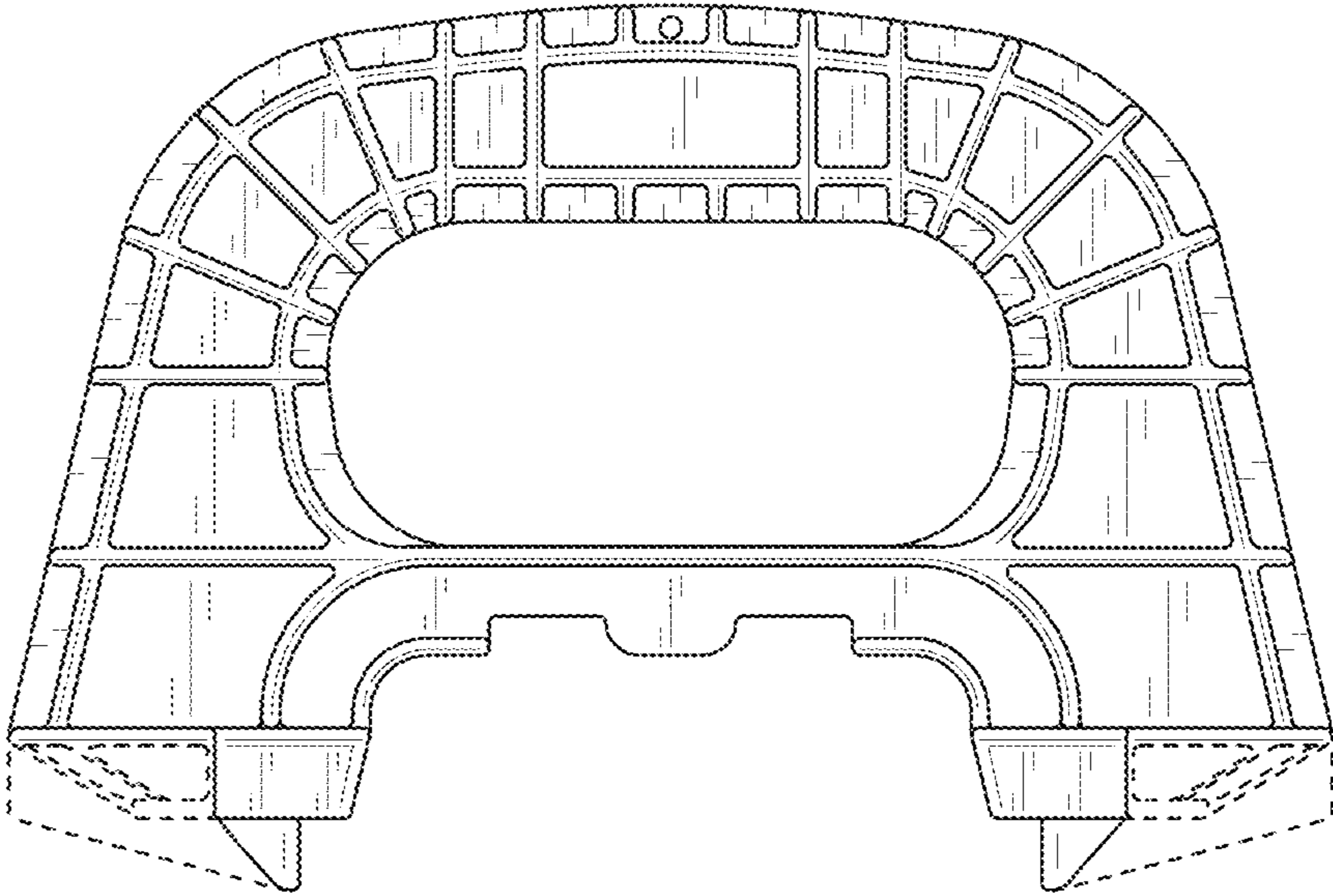


FIG. 4

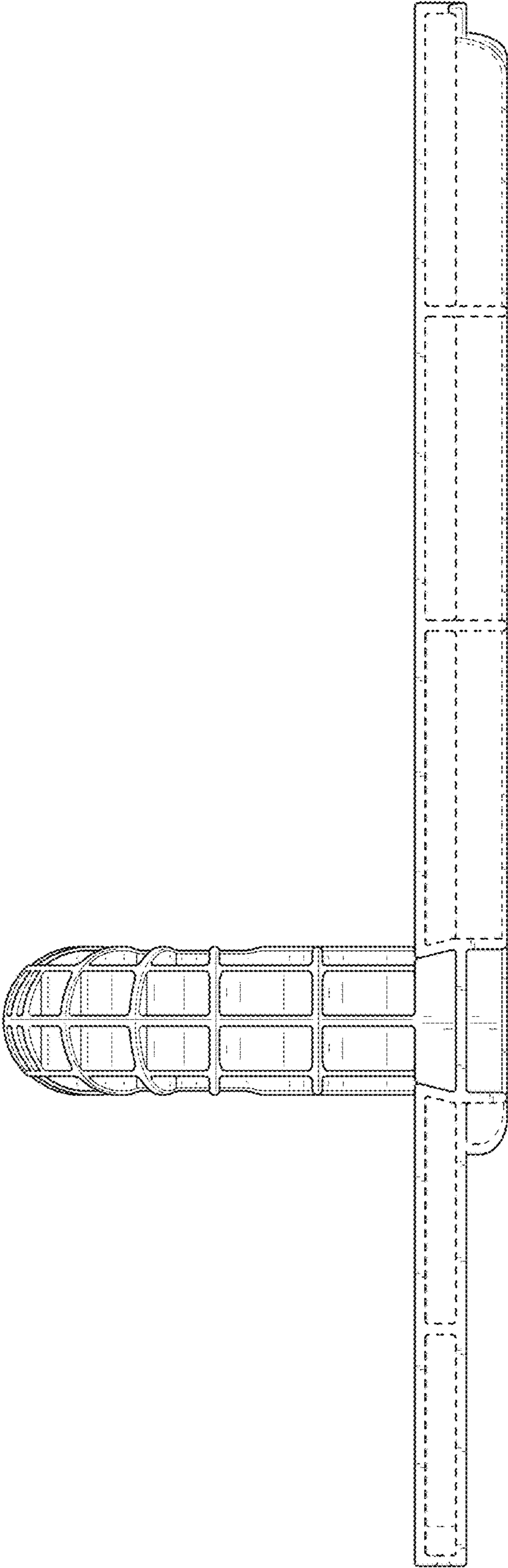


FIG. 5

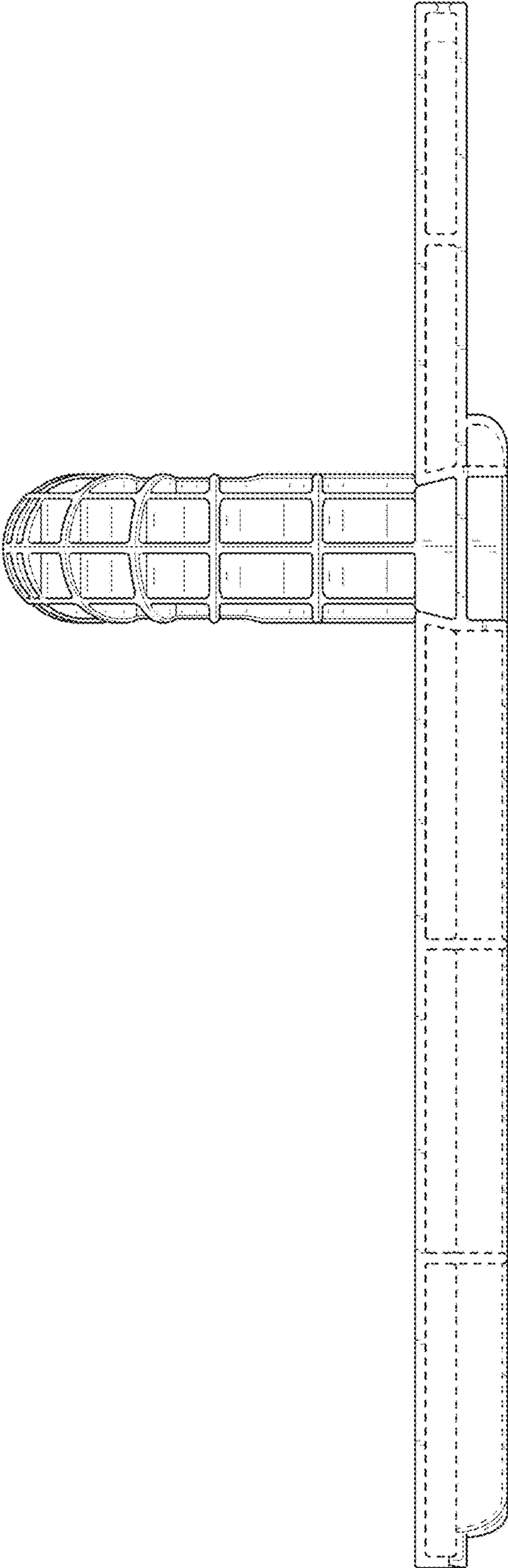


FIG. 6

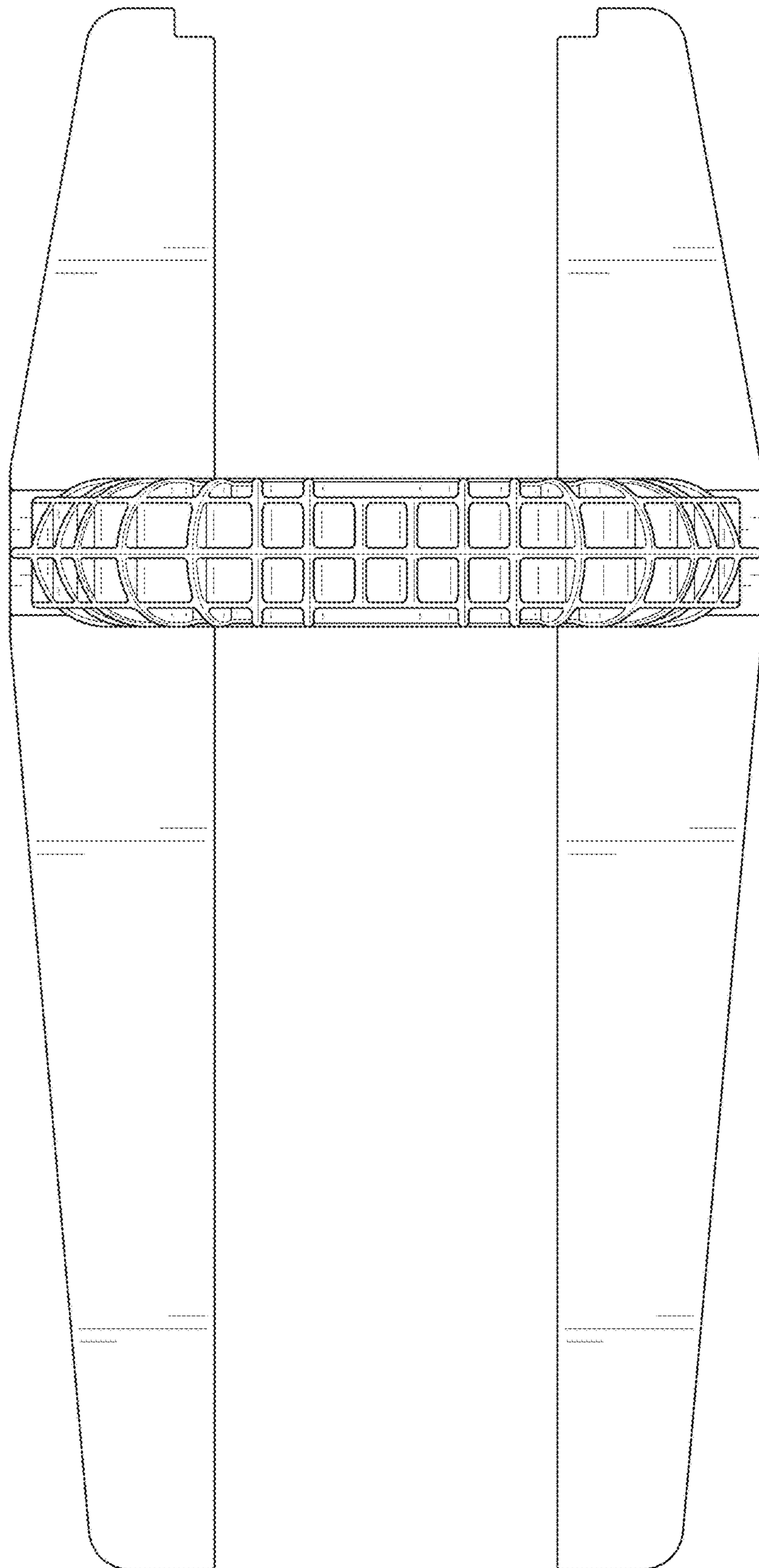


FIG. 7



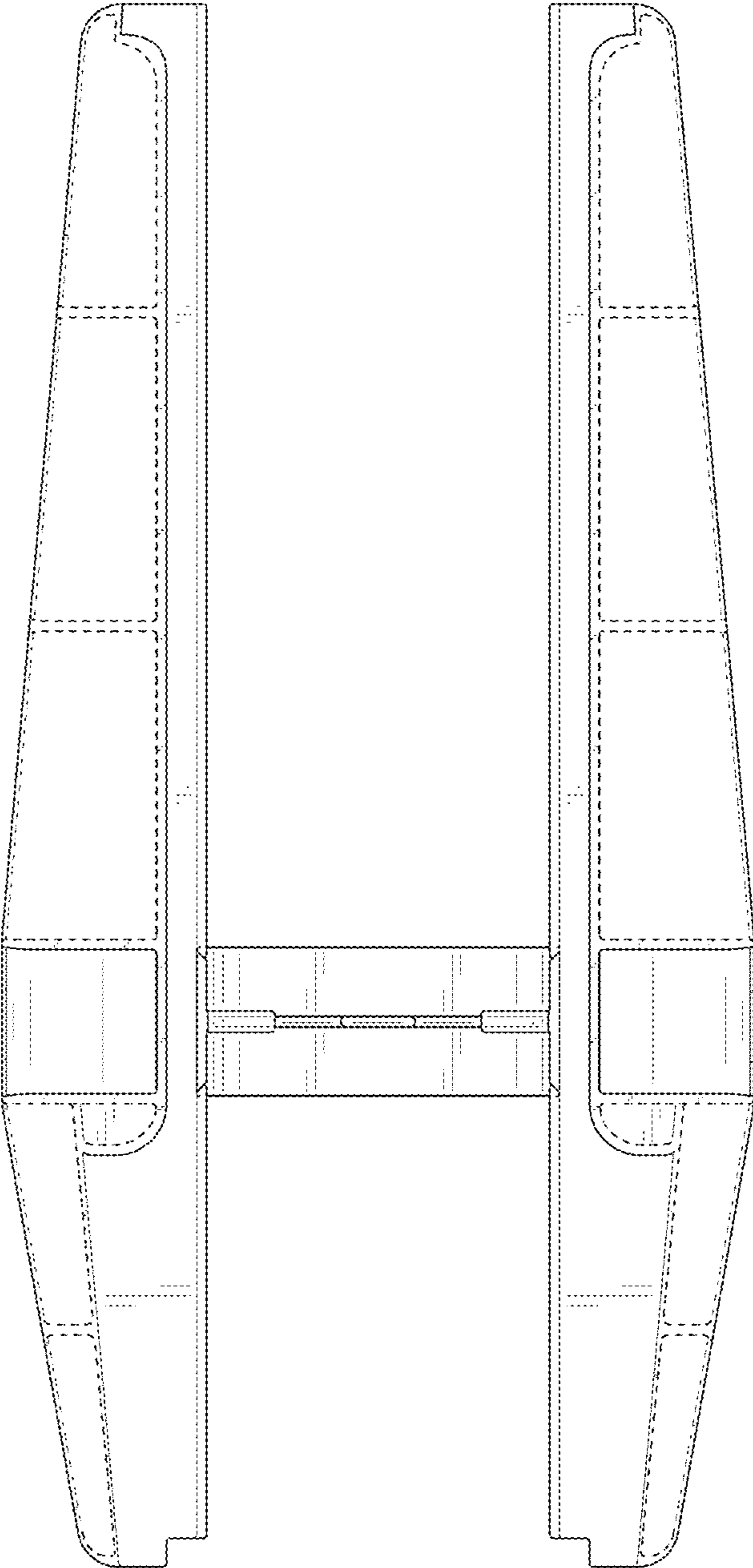


FIG. 8