



US00D795030S

(12) **United States Design Patent**
Angeloff

(10) **Patent No.: US D795,030 S**

(45) **Date of Patent: ** Aug. 22, 2017**

(54) **SOCKET**

(71) Applicant: **Gordan Angeloff**, Sudbury (CA)

(72) Inventor: **Gordan Angeloff**, Sudbury (CA)

(**) Term: **15 Years**

(21) Appl. No.: **29/578,226**

(22) Filed: **Sep. 20, 2016**

(30) **Foreign Application Priority Data**

Sep. 7, 2016 (CA) 170392

(51) **LOC (10) Cl.** **08-05**

(52) **U.S. Cl.**
USPC **D8/29**

(58) **Field of Classification Search**
USPC D8/29; 81/60, 177.1, 177.85, 121.1,
81/124.3, 165-170, 110.1, 176.2, 124.6,
81/176.1, 176.15, 177.2, 186; 16/110.1
CPC B25B 13/06; B25B 13/065
See application file for complete search history.

(56) **References Cited**

U.S. PATENT DOCUMENTS

D477,198 S * 7/2003 Staton D8/29
D567,605 S * 4/2008 Yu D8/29

D583,656 S * 12/2008 Bush D8/397
D611,789 S * 3/2010 Taylor, Jr. D8/29
D632,148 S * 2/2011 Li D8/29
D750,457 S * 3/2016 Li D8/29
D755,028 S * 5/2016 Yu D8/29

* cited by examiner

Primary Examiner — Randall Gholson

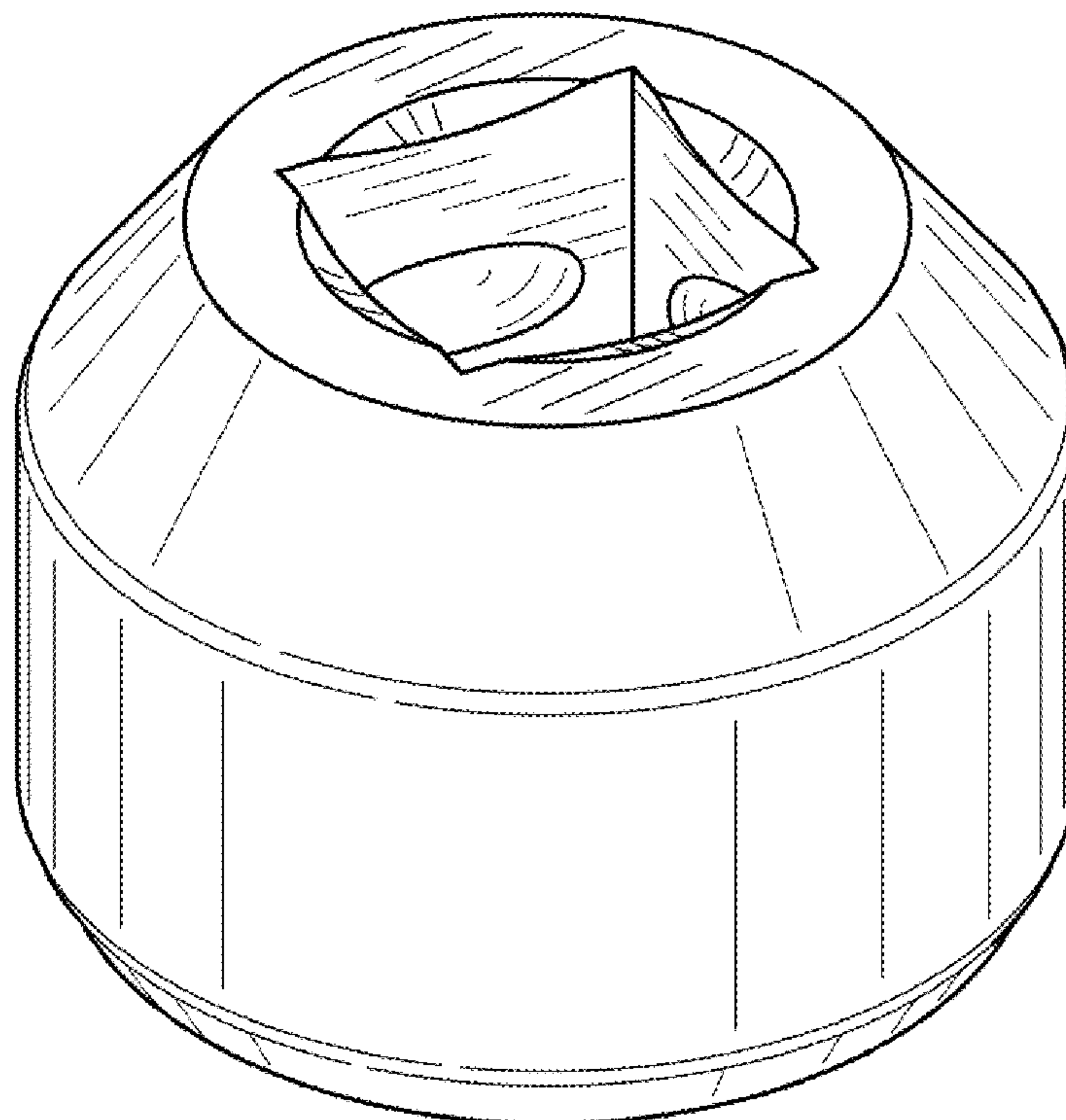
(57) **CLAIM**

The ornamental design for a socket, as shown and described.

DESCRIPTION

FIG. 1 is an isometric view of an embodiment of the socket of the invention;
FIG. 2 is another isometric view thereof;
FIG. 3 is a side view thereof;
FIG. 4 is a top view thereof;
FIG. 5 is a bottom view thereof;
FIG. 6 is an isometric view of another embodiment of the socket of the invention;
FIG. 7 is another isometric view thereof;
FIG. 8 is a side view thereof;
FIG. 9 is a top view thereof; and,
FIG. 10 is a bottom view thereof.

1 Claim, 2 Drawing Sheets



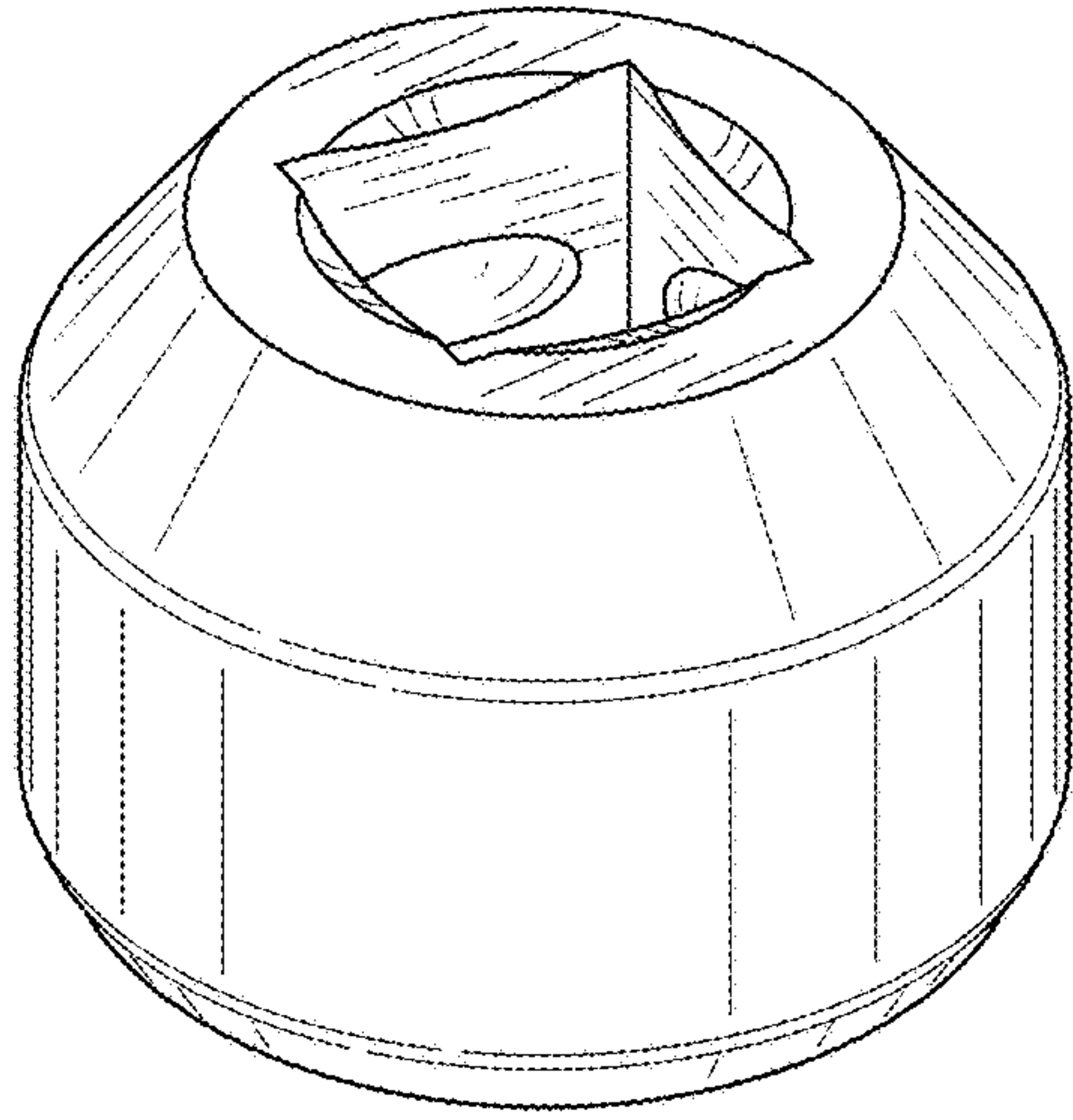


FIG. 1

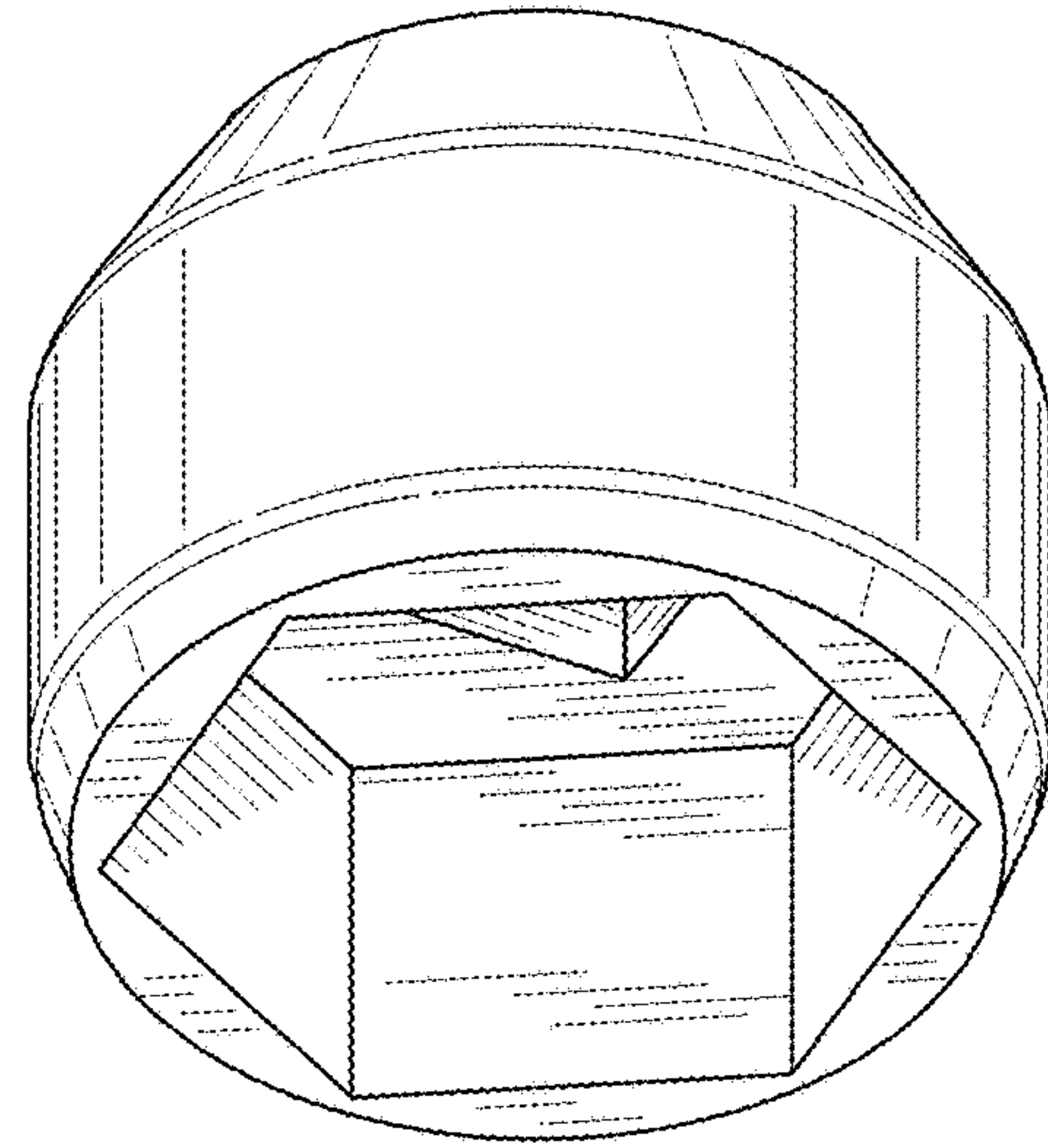


FIG. 2

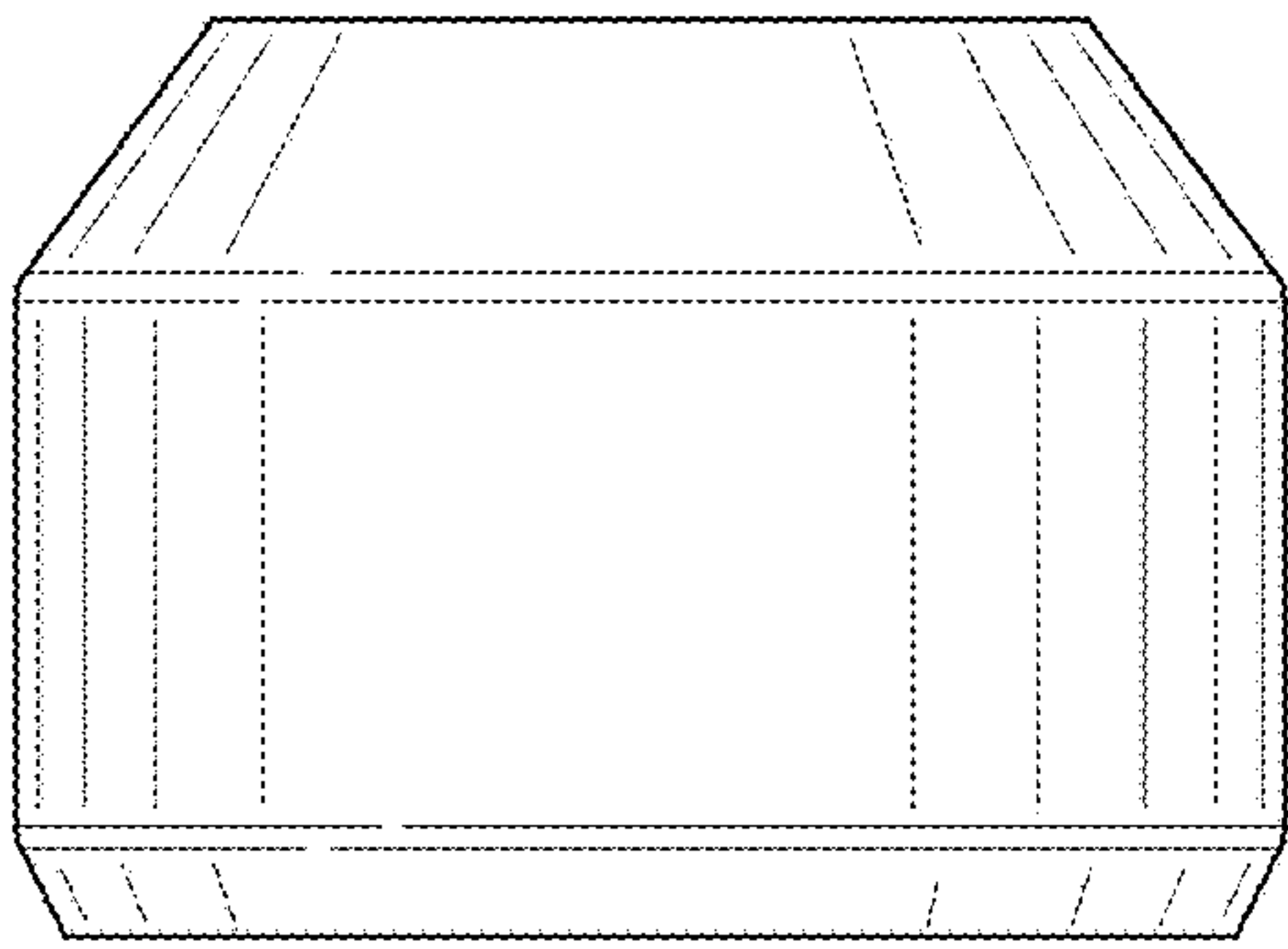


FIG. 3

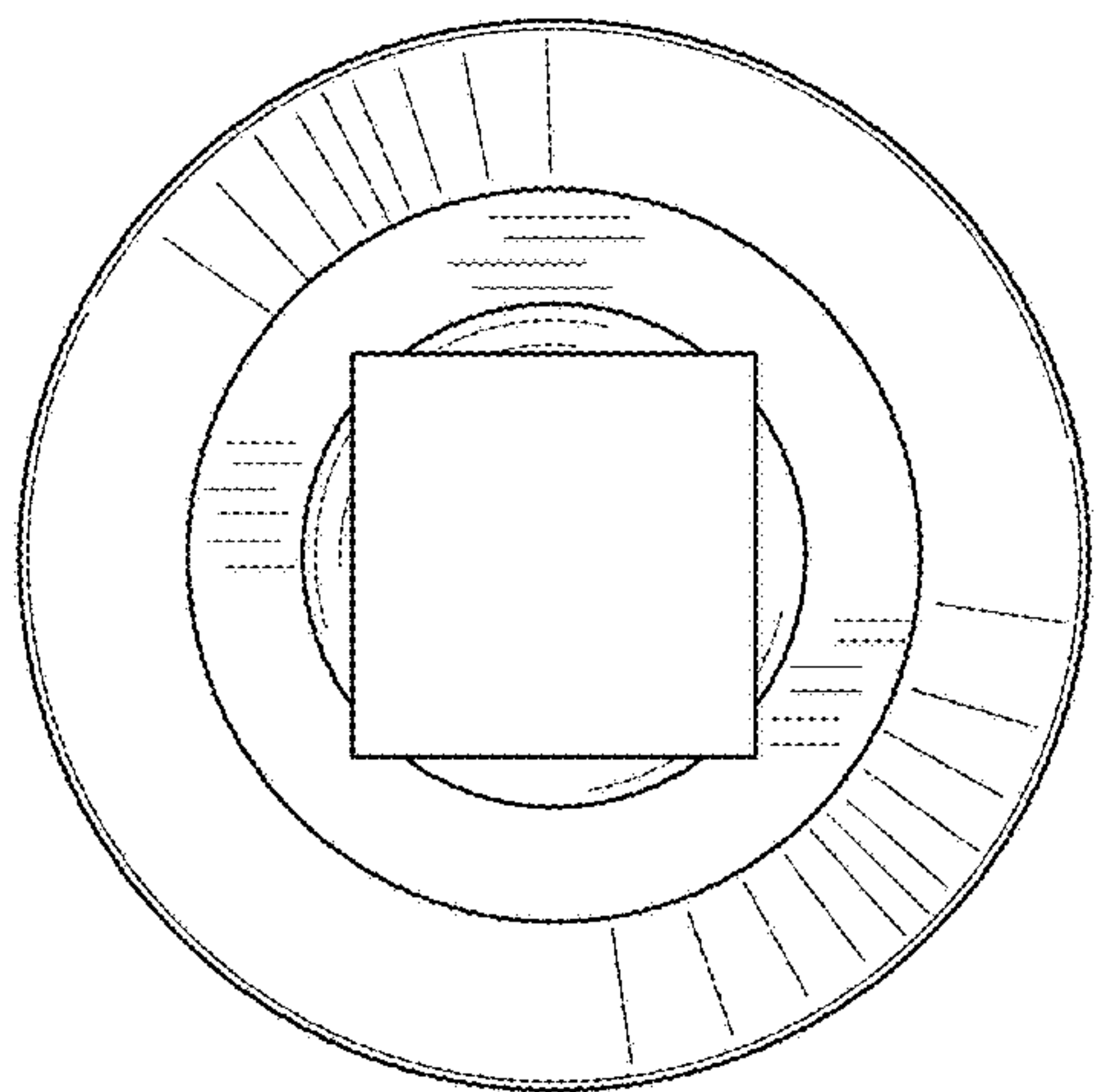


FIG. 4

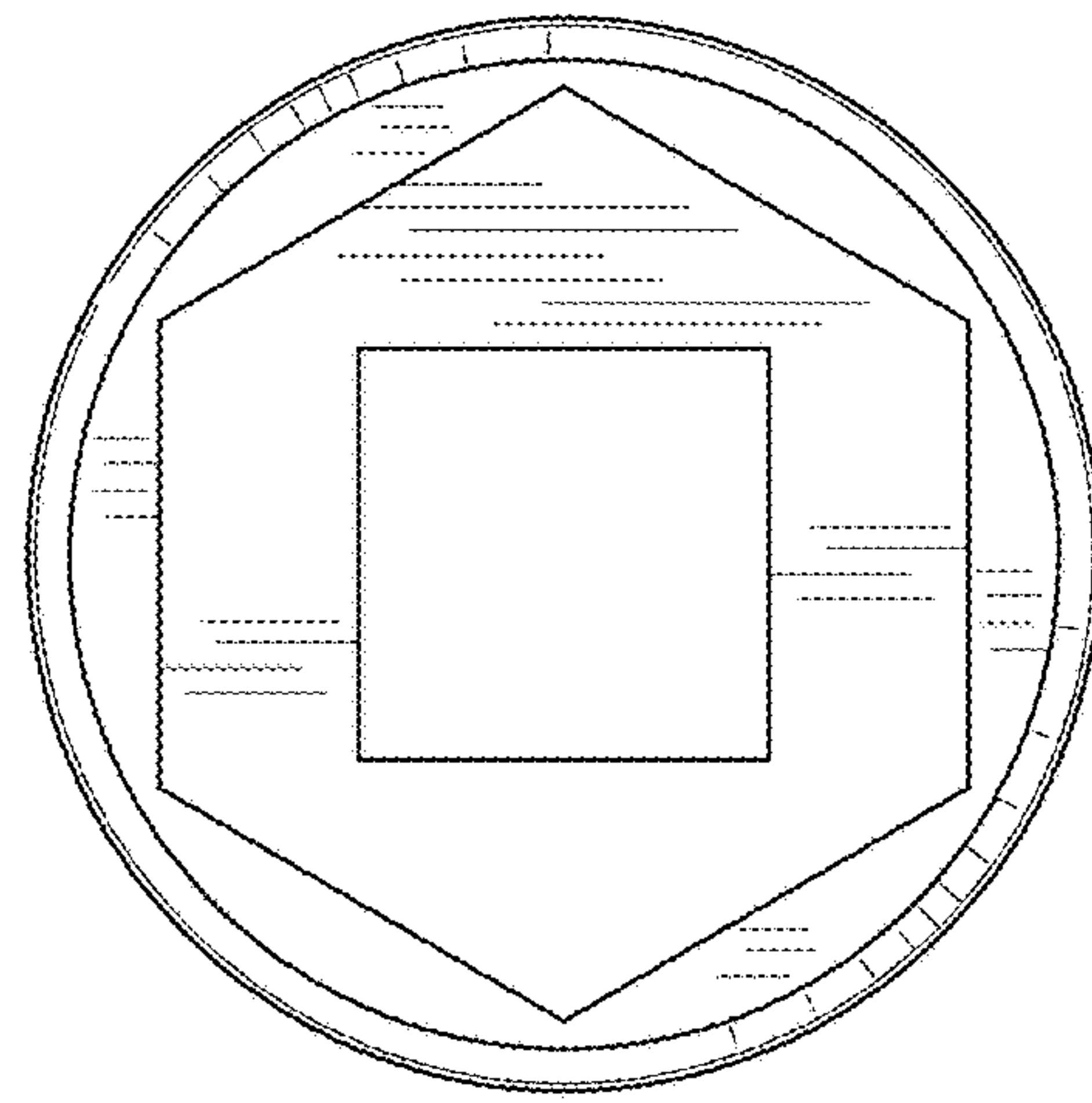


FIG. 5

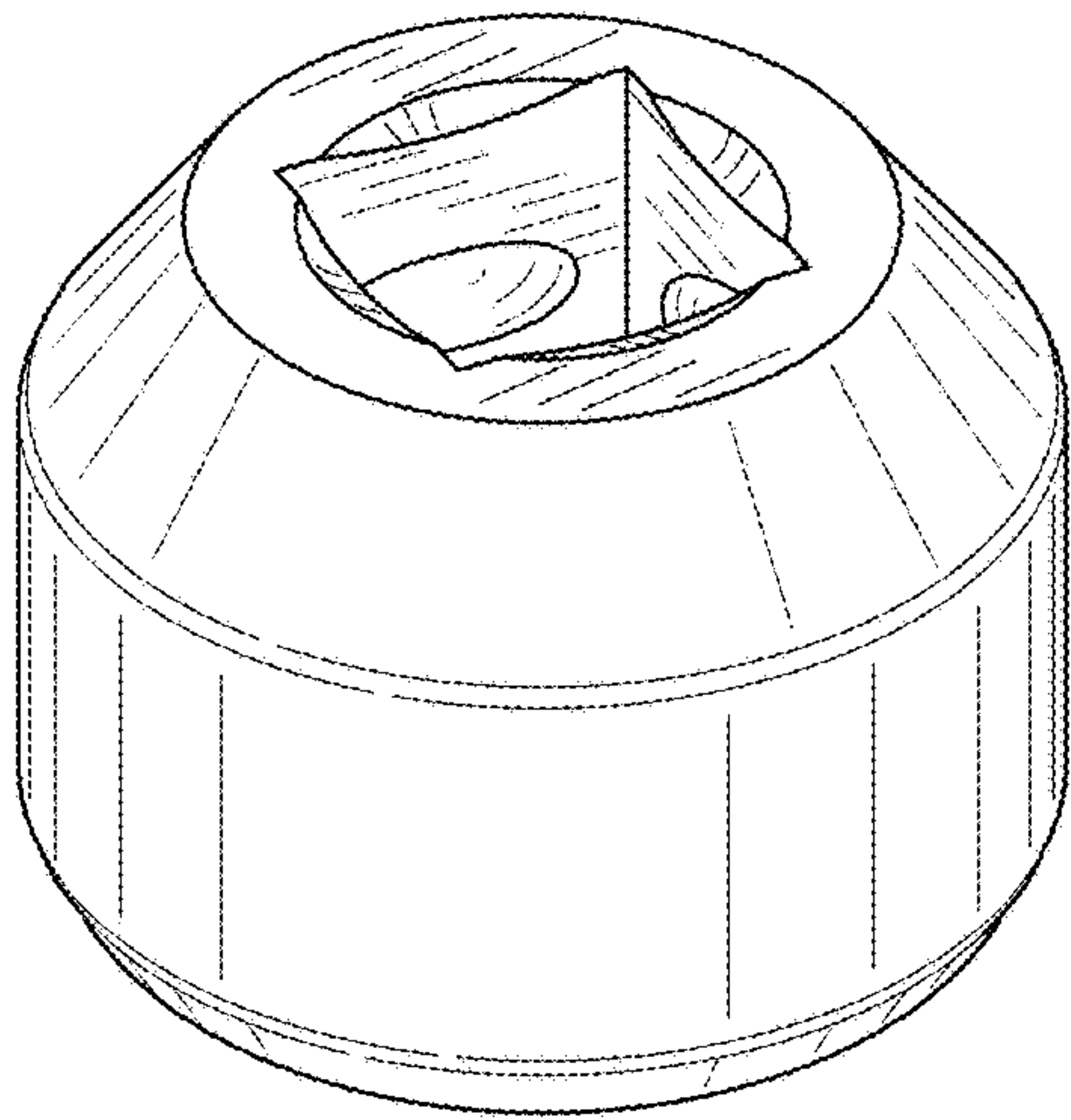


FIG. 6

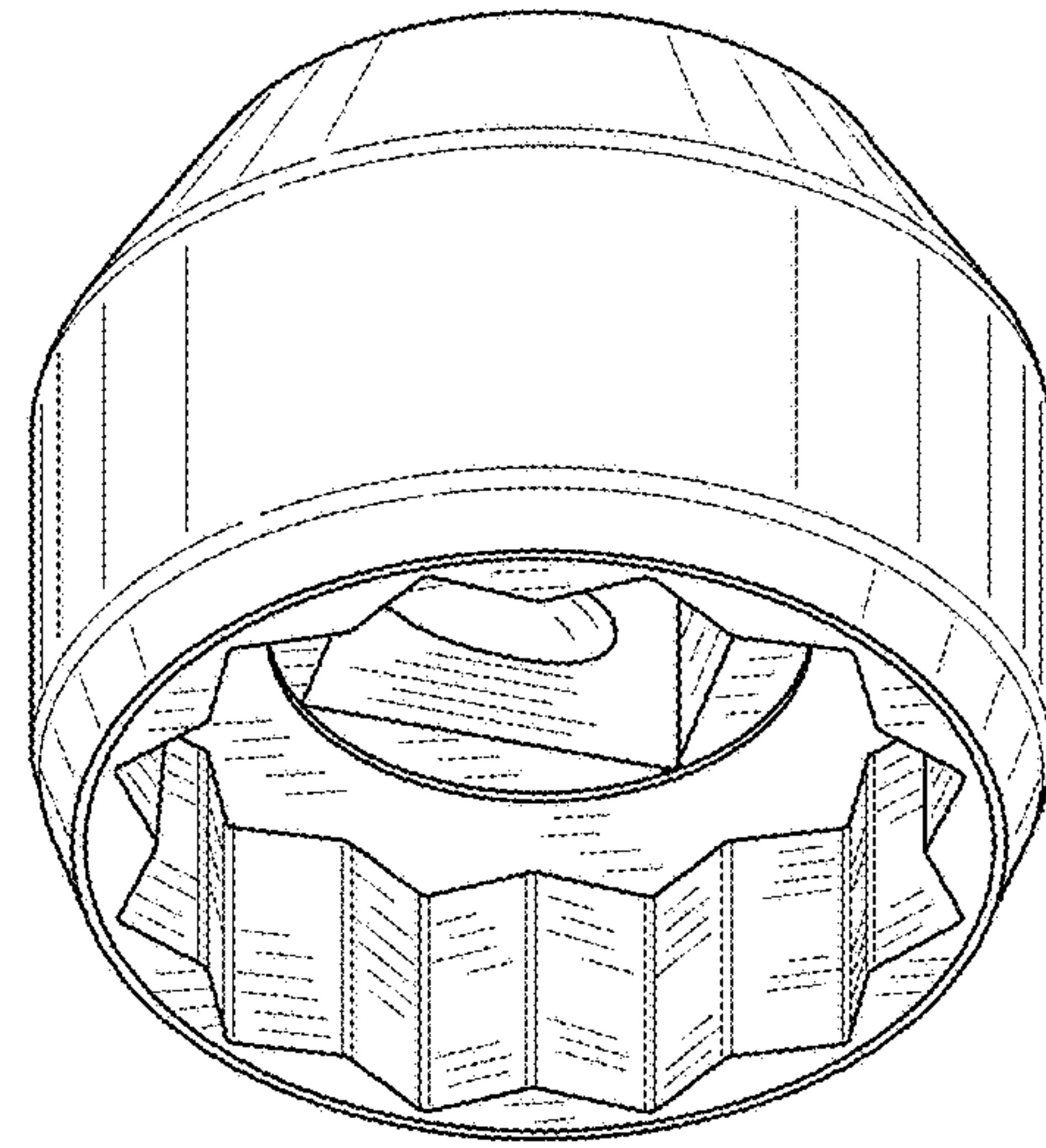


FIG. 7

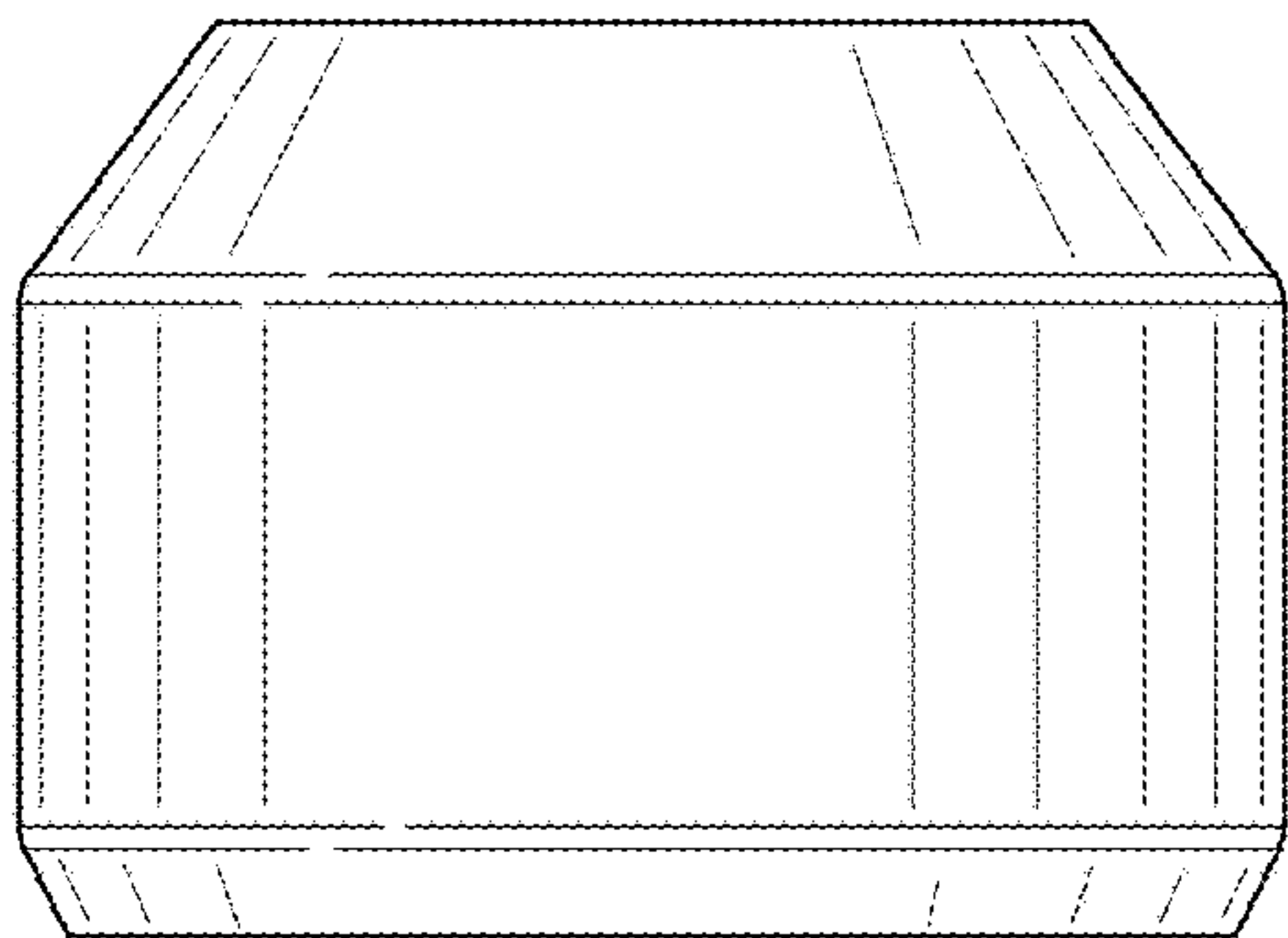


FIG. 8

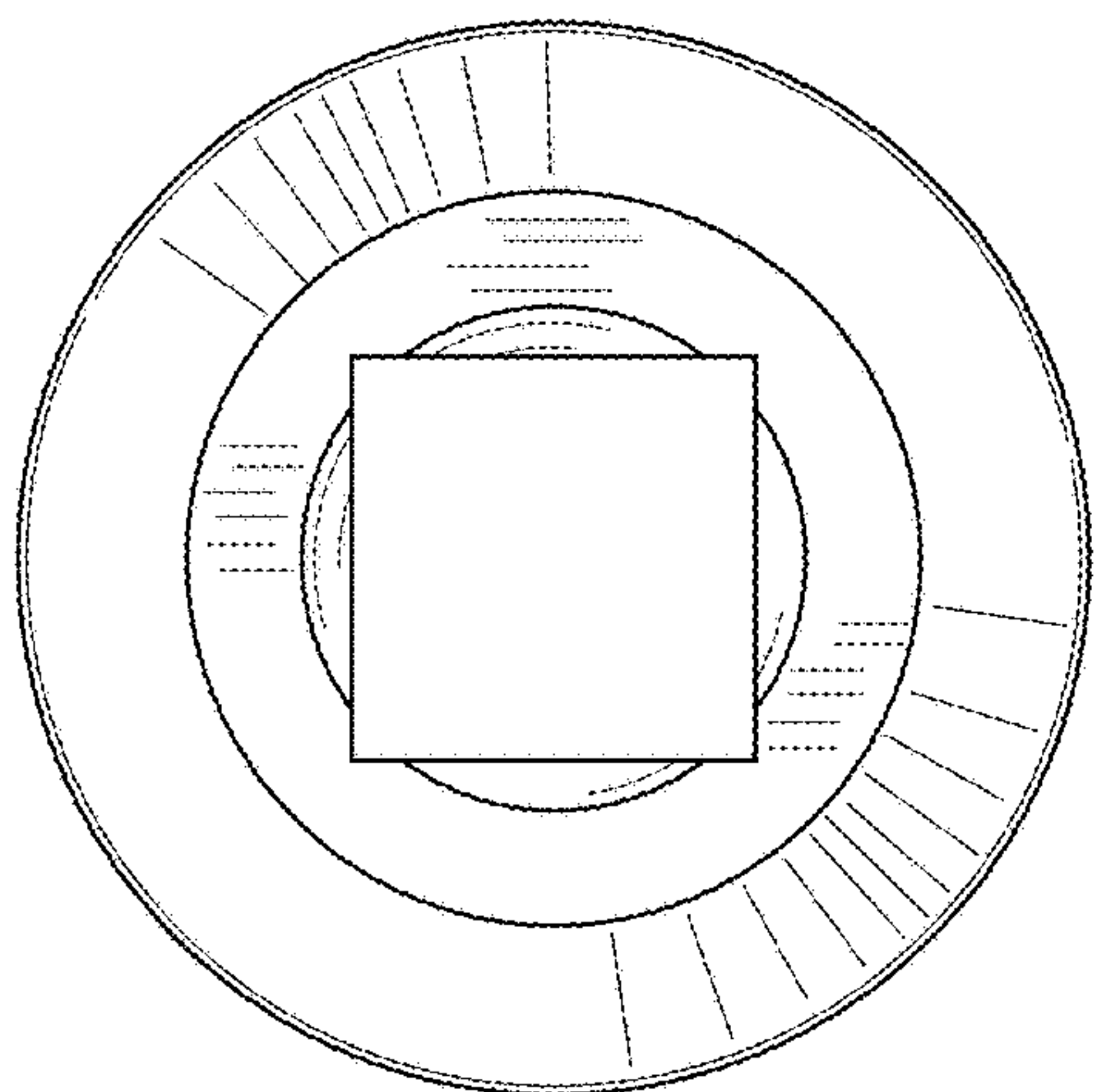


FIG. 9

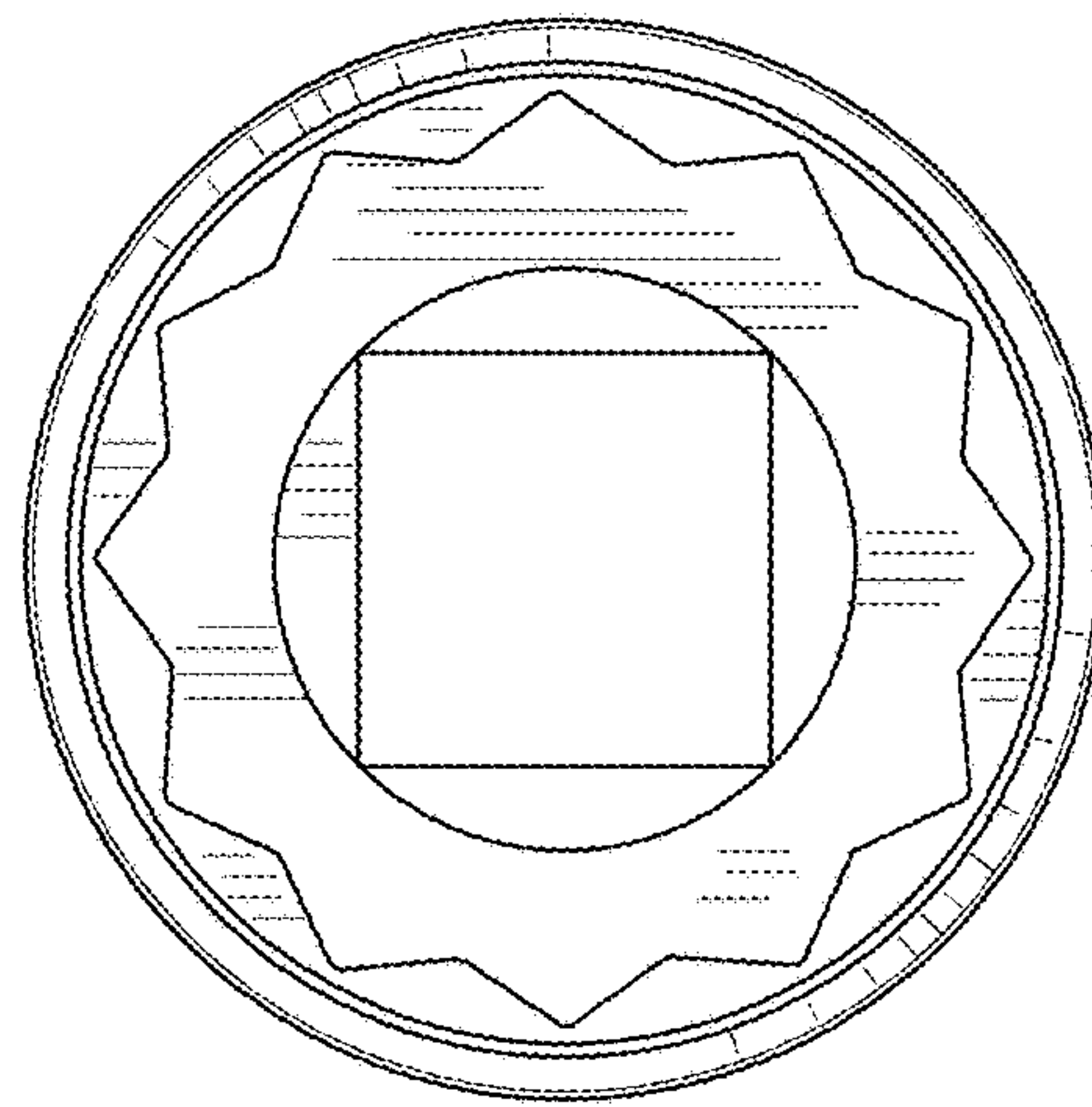


FIG. 10