



US00D795029S

(12) **United States Design Patent**
Sowieja

(10) **Patent No.:** **US D795,029 S**

(45) **Date of Patent:** **** Aug. 22, 2017**

(54) **TOOL**

(71) Applicant: **Gehl Foods, LLC**, Germantown, WI (US)

(72) Inventor: **Michael Sowieja**, Richfield, WI (US)

(73) Assignee: **Gehl Foods, LLC**, Germantown, WI (US)

(**) Term: **15 Years**

(21) Appl. No.: **29/537,872**

(22) Filed: **Aug. 28, 2015**

(51) **LOC (10) Cl.** **08-05**

(52) **U.S. Cl.**
USPC **D8/14; D7/693**

(58) **Field of Classification Search**
USPC D7/680-696; D8/98, 14, 47
CPC B26B 27/005; B26B 3/00; B67B 7/38;
B67B 7/24; A47J 25/00; F25C 5/043
See application file for complete search history.

(56) **References Cited**

U.S. PATENT DOCUMENTS

3,312,468 A * 4/1967 Lynch A63B 57/0037
294/106
D240,108 S * 6/1976 McGrew D7/683

D297,105 S * 8/1988 Hollinshead D8/98
D372,650 S * 8/1996 Bundy D8/14
D448,633 S * 10/2001 Langlois D8/107
D467,477 S * 12/2002 Berens D8/14
D506,369 S * 6/2005 Norton D8/14
D628,035 S * 11/2010 Paige D8/14
D731,273 S * 6/2015 McPeak Ford D8/47
D758,810 S * 6/2016 Peterson D7/693

* cited by examiner

Primary Examiner — Terry Wallace

(74) *Attorney, Agent, or Firm* — Foley & Lardner LLP

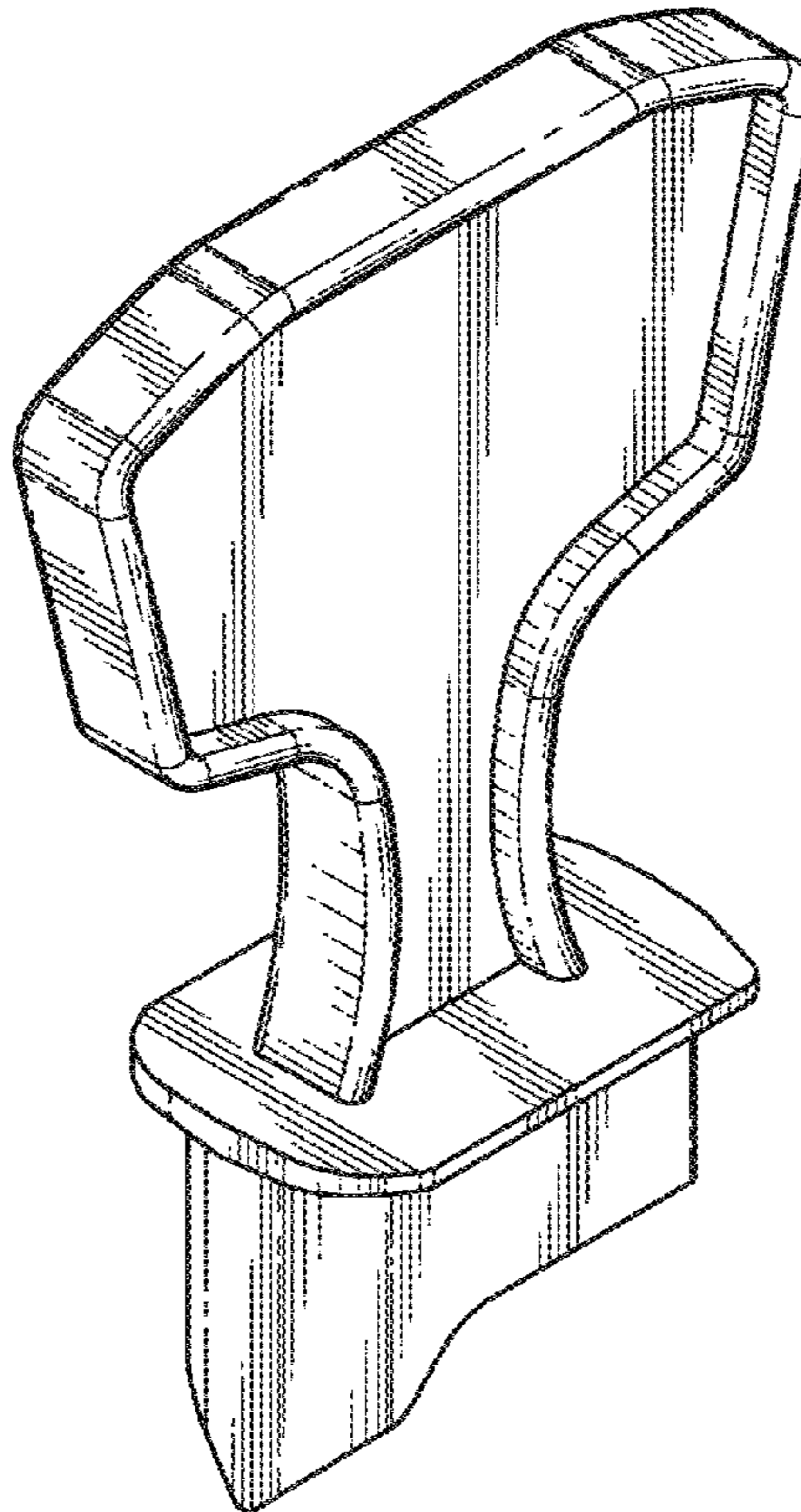
(57) **CLAIM**

I claim the ornamental design for a tool, as shown and described.

DESCRIPTION

FIG. 1 is a top, rear, left perspective view of the claimed design;
FIG. 2 is a rear elevation view thereof;
FIG. 3 is a front elevation view thereof;
FIG. 4 is a right elevation view thereof;
FIG. 5 is a left elevation view thereof;
FIG. 6 is a top plan view thereof; and,
FIG. 7 is a bottom plan view thereof.

1 Claim, 4 Drawing Sheets



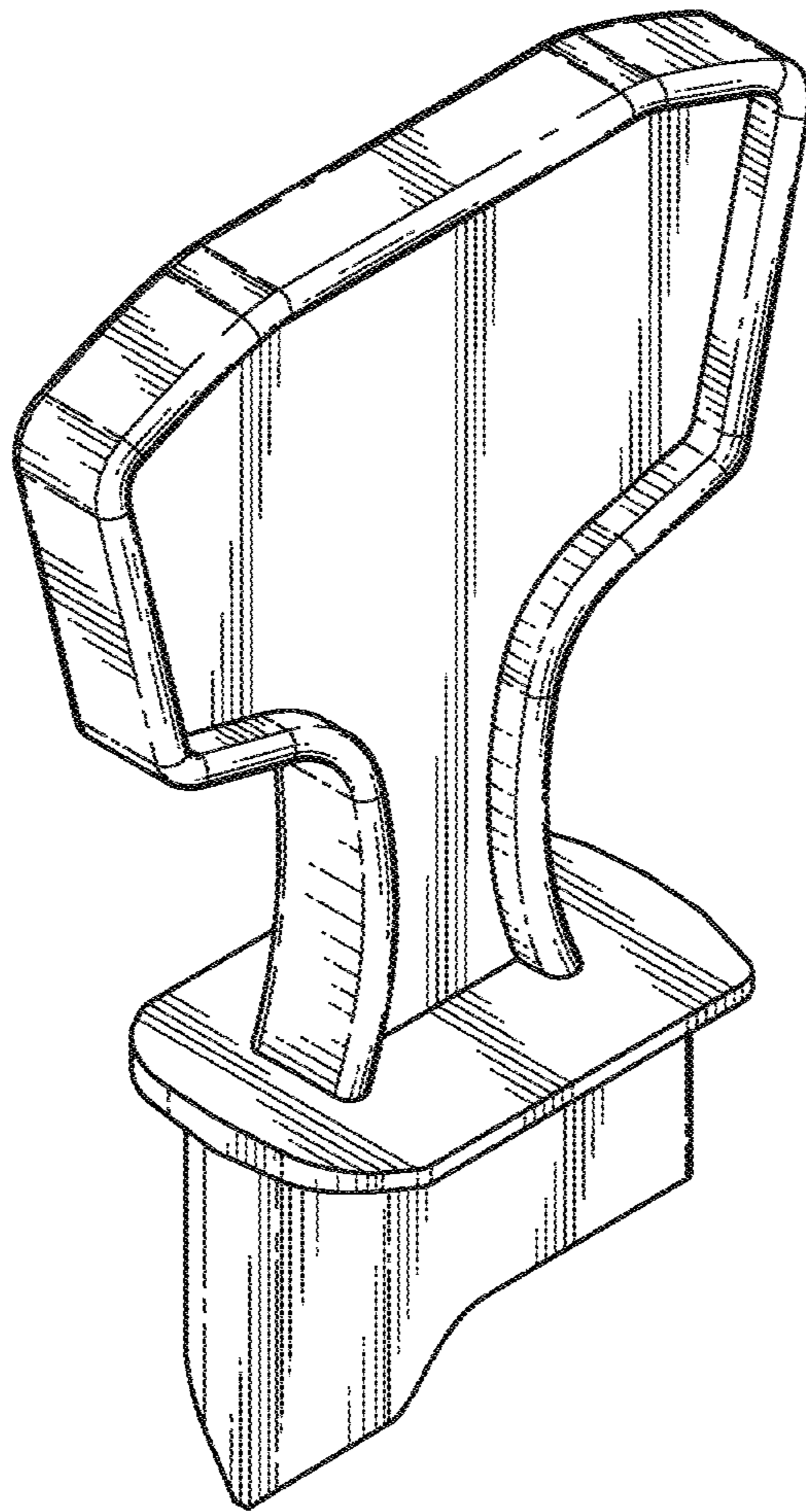


FIG. 1

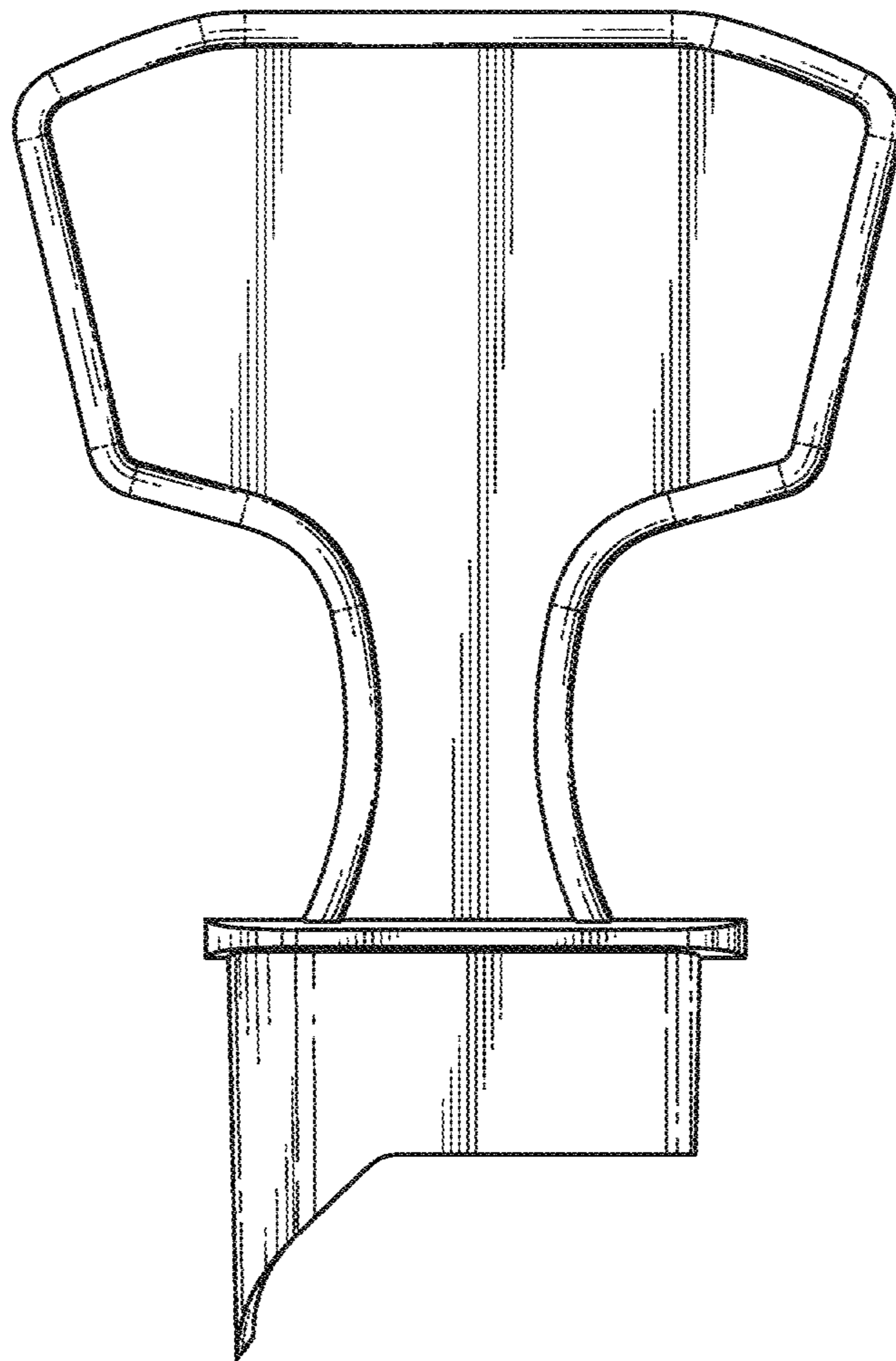


FIG. 2

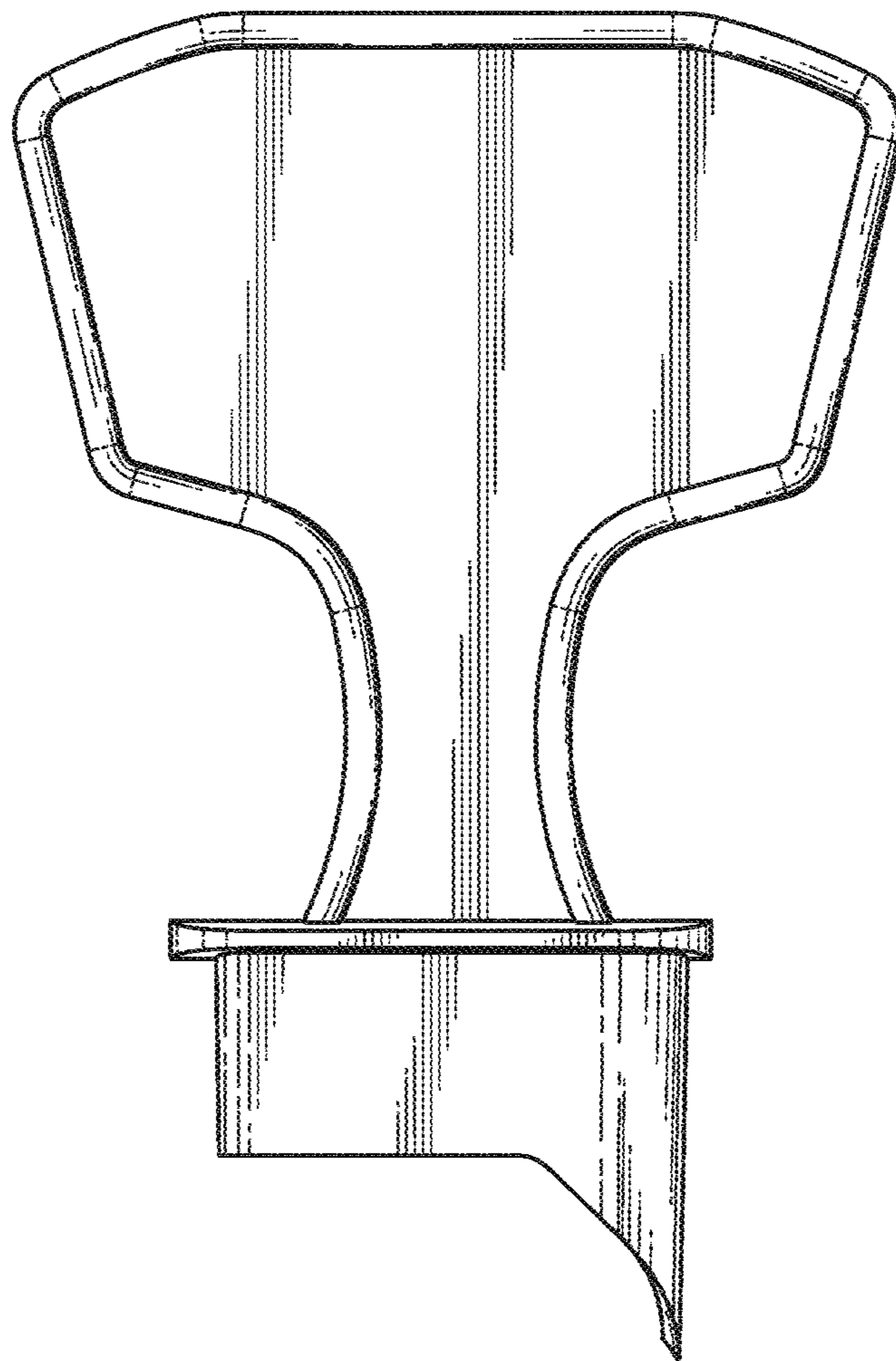


FIG. 3

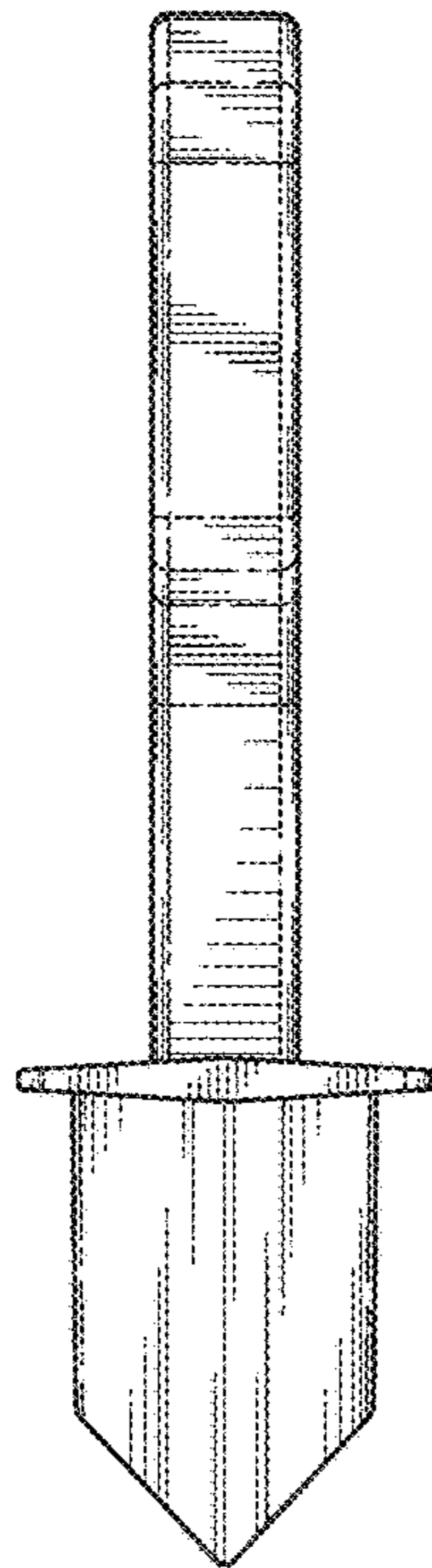


FIG. 4

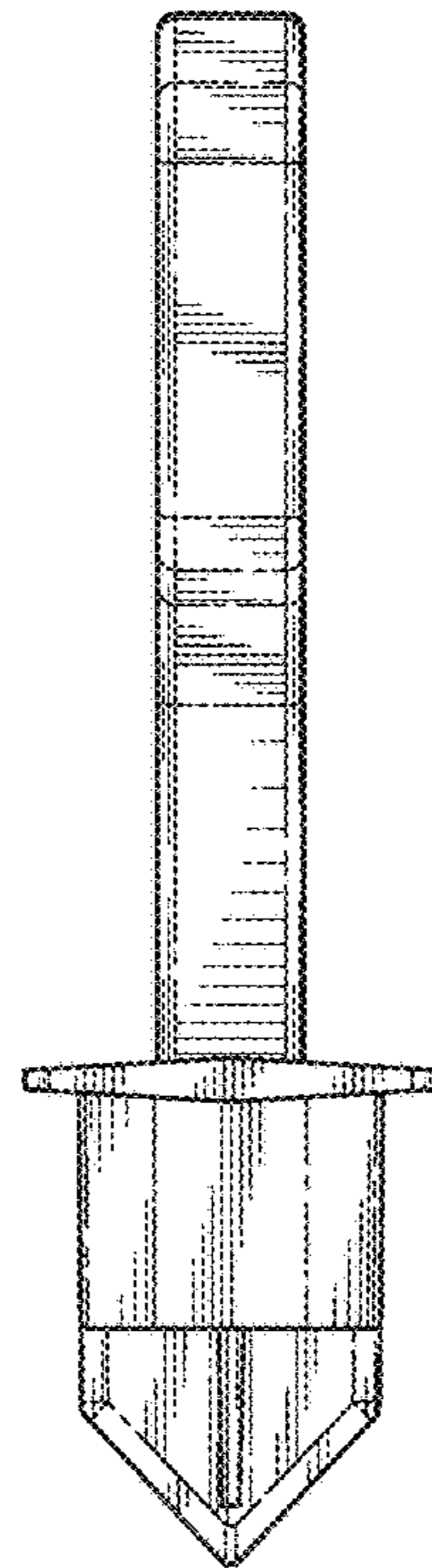


FIG. 5

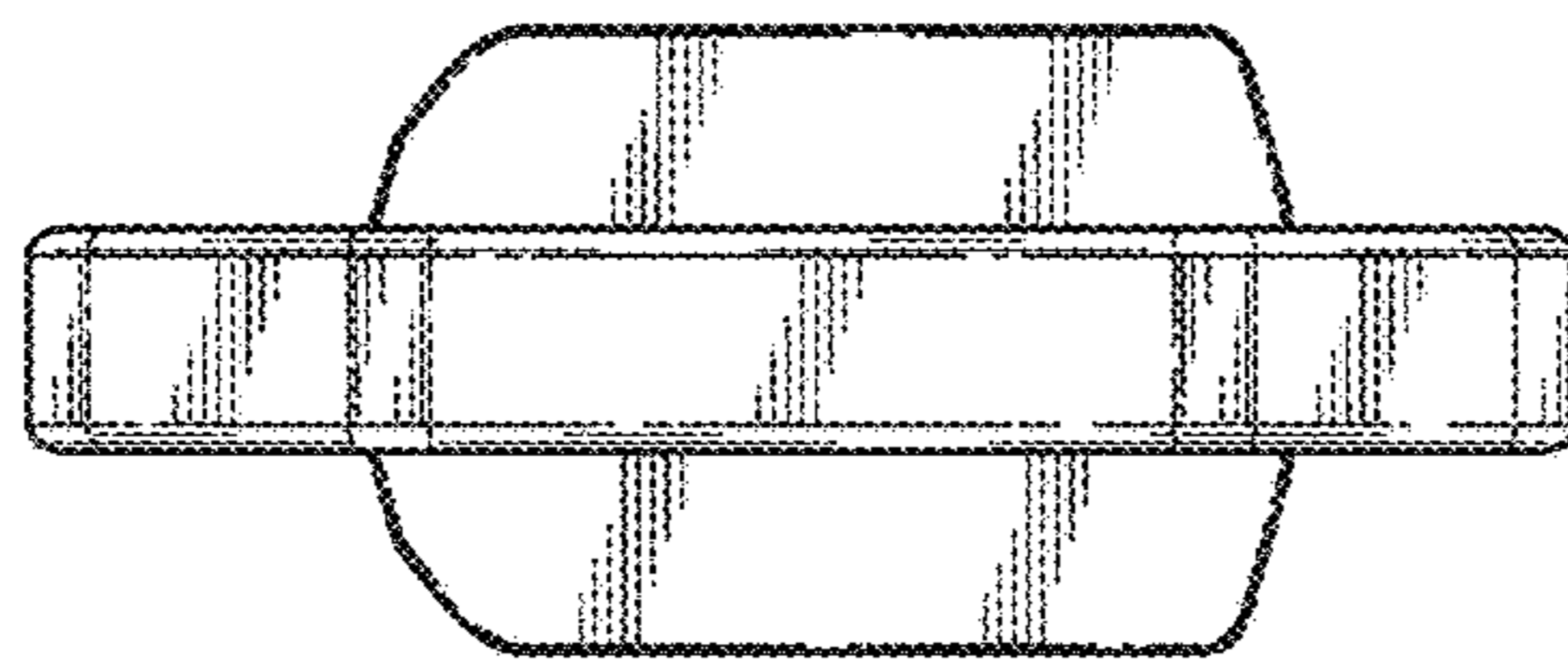


FIG. 6

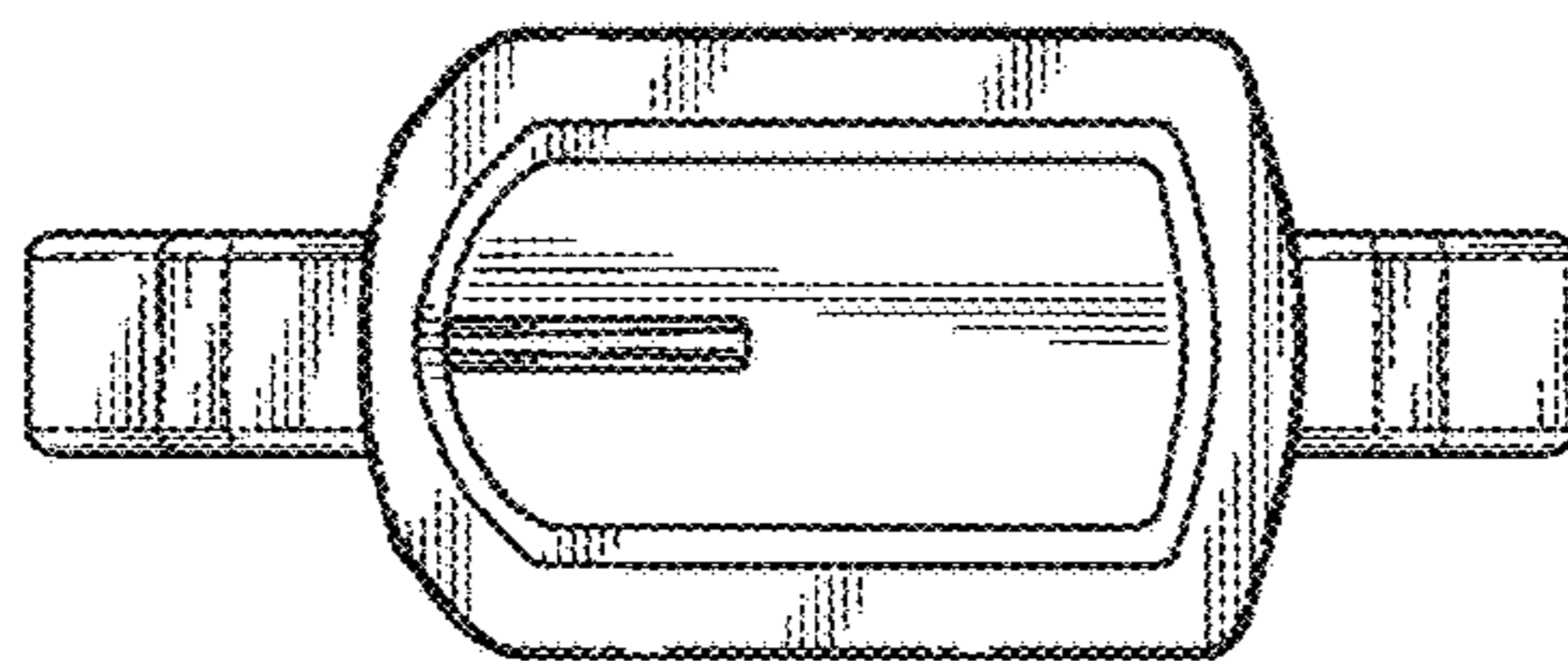


FIG. 7