



US00D795026S

(12) **United States Design Patent**  
**Fouquet**

(10) **Patent No.: US D795,026 S**

(45) **Date of Patent: \*\* Aug. 22, 2017**

(54) **ELECTRIC FRUIT JUICE EXTRACTOR**

(56) **References Cited**

(71) Applicant: **SANTOS**, Vaulx-en-Velin (FR)

U.S. PATENT DOCUMENTS

(72) Inventor: **Nicolas Fouquet**, Chassieu (FR)

D594,717 S *	6/2009	Wu Chang	.....	D7/665
D641,214 S *	7/2011	Choi	.....	D7/665
D670,138 S *	11/2012	Hu	.....	D7/665
D676,287 S *	2/2013	Ferraby	.....	D7/665
D684,827 S *	6/2013	Kim	.....	D7/665
D698,210 S *	1/2014	Lavy	.....	D7/665
D718,094 S *	11/2014	Yan	.....	D7/665
D733,505 S *	7/2015	Choi	.....	D7/665
D740,621 S *	10/2015	Fouquet	.....	D7/665
D778,127 S *	2/2017	Chen	.....	D7/665

(\*\*) Term: **15 Years**

(21) Appl. No.: **35/500,902**

(22) Filed: **Apr. 15, 2016**

(80) **Hague Agreement Data**

Int. Filing Date: **Apr. 15, 2016**

Int. Reg. No.: **DM/090270**

Int. Reg. Date: **Apr. 15, 2016**

Int. Reg. Pub. Date: **May 6, 2016**

\* cited by examiner

*Primary Examiner* — Michael A Pratt

(30) **Foreign Application Priority Data**

Oct. 16, 2015 (EM) ..... 002826024-0001

(51) **LOC (10) Cl.** ..... **31-00**

(52) **U.S. Cl.**  
USPC ..... **D7/665**

(58) **Field of Classification Search**

USPC ..... D7/665-668, 372, 376, 381, 382  
CPC ..... A47J 19/02; A47J 19/027; A47J 19/00;  
A47J 19/06; A47J 19/022; A47J 43/046;  
A47J 43/0794; A23N 1/02; A23N 1/003

See application file for complete search history.

(57) **CLAIM**

The ornamental design of an electric fruit juice extractor, as shown and described.

**DESCRIPTION**

1. Electric fruit juice extractor

1.1 : Perspective

1.2 : Front

1.3 : Back

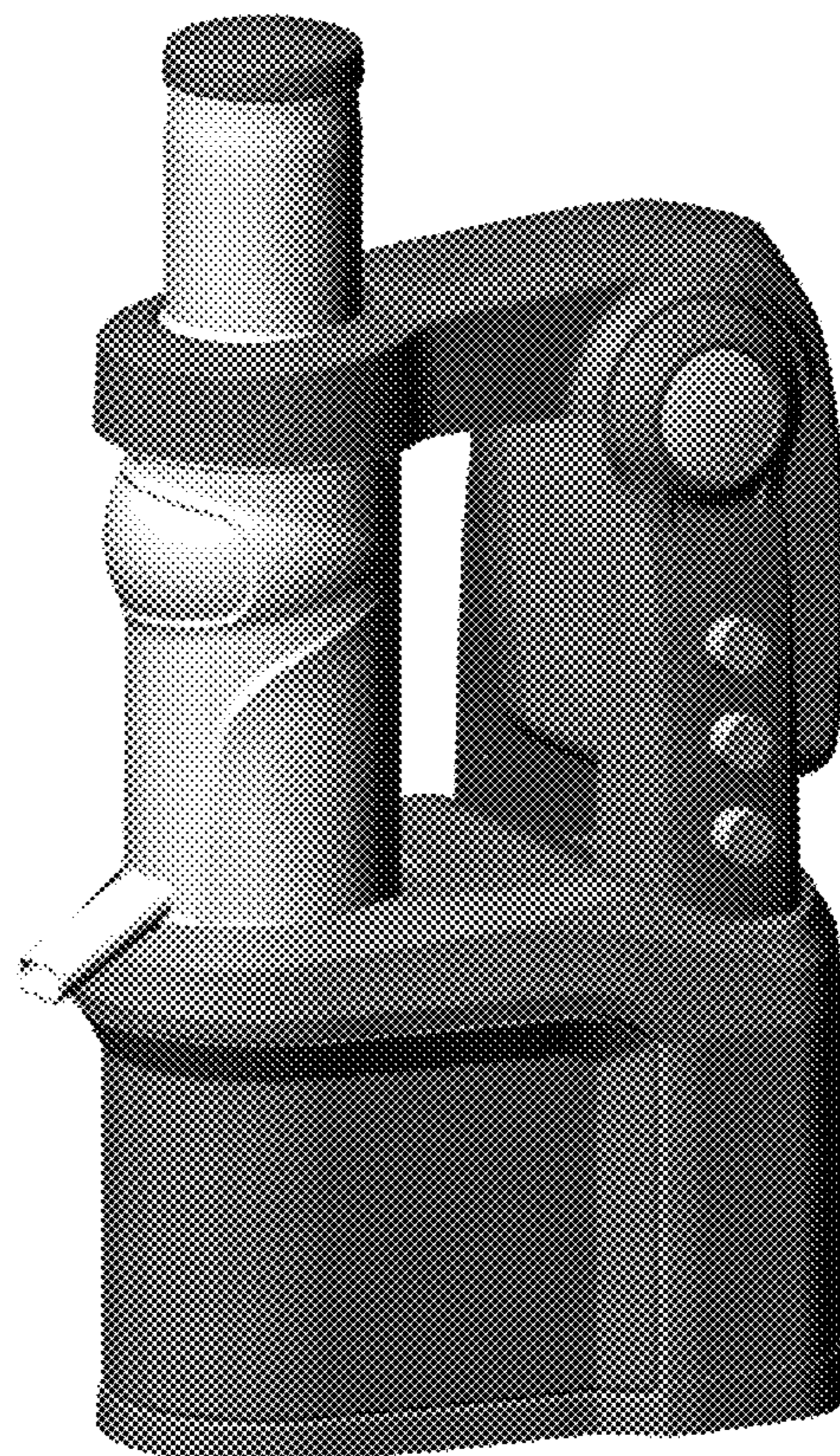
1.4 : Right

1.5 : Left

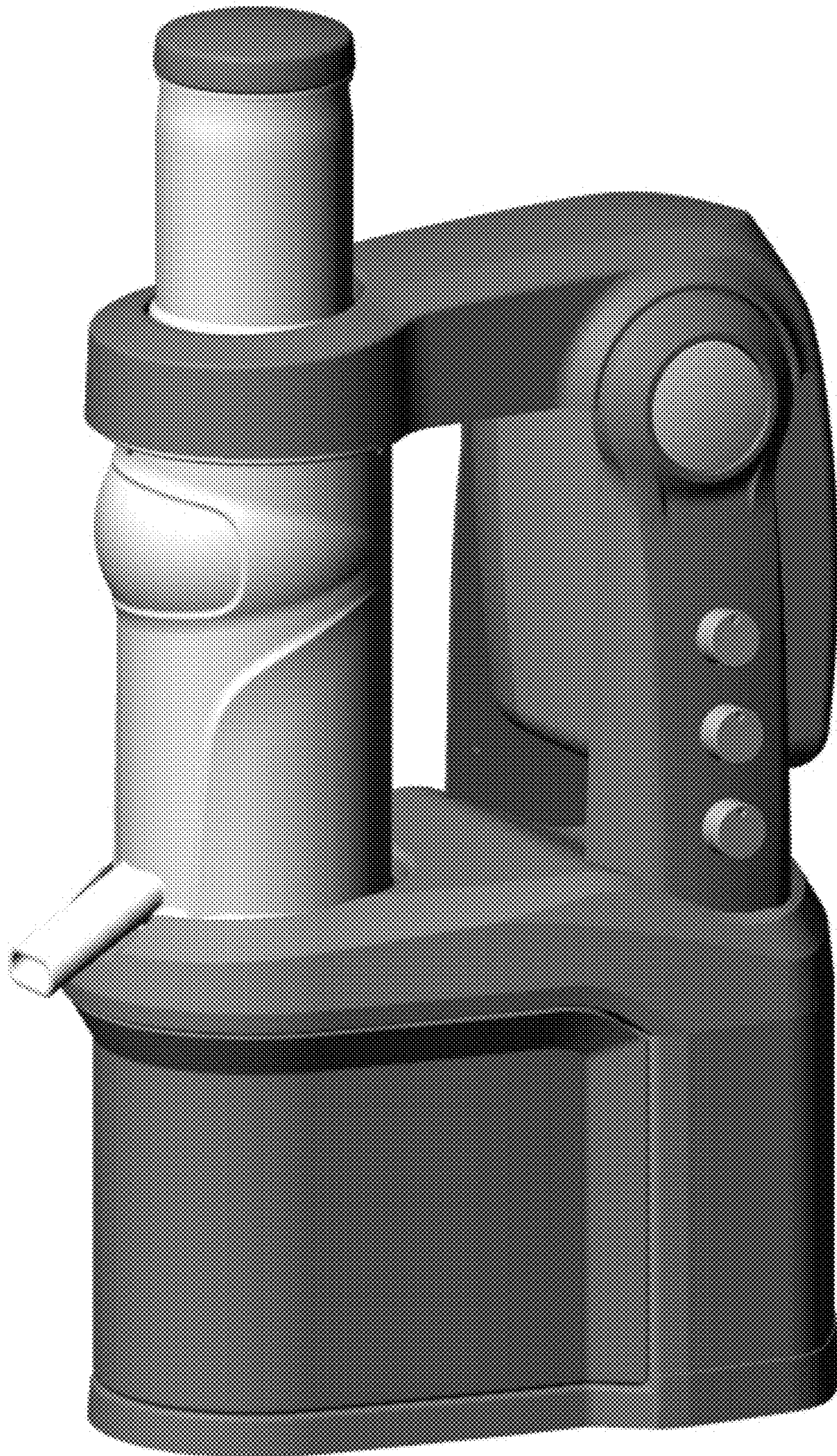
1.6 : Top

1.7 : Bottom

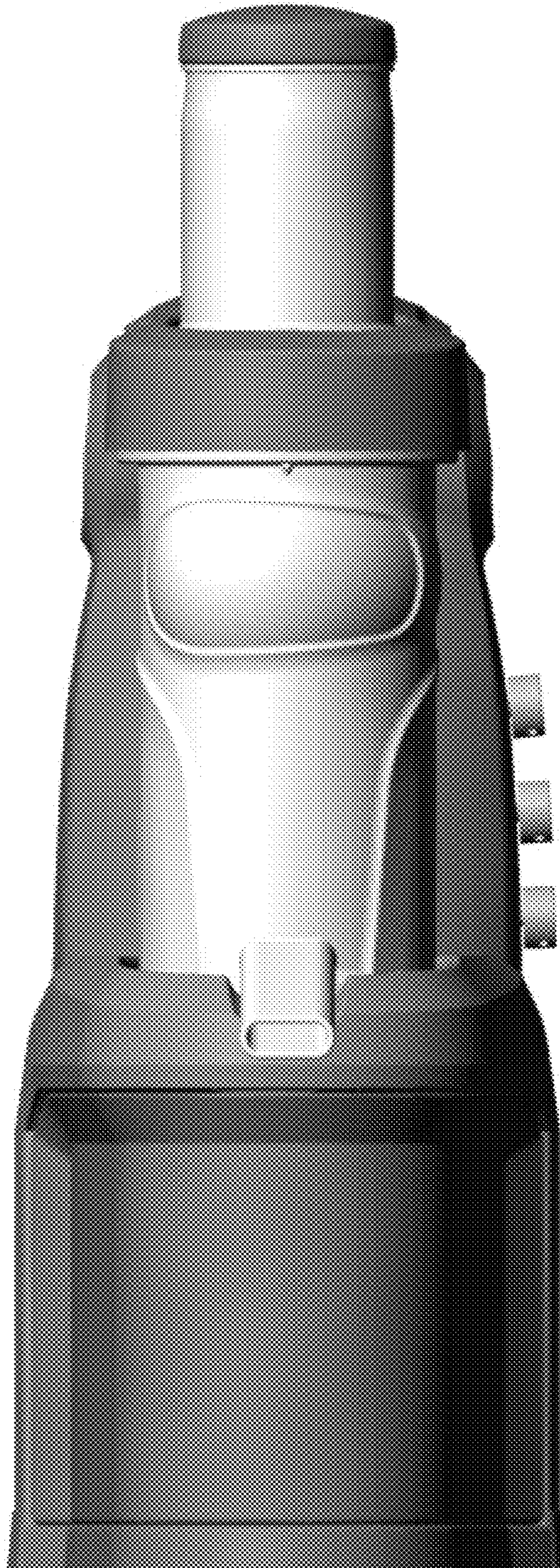
**1 Claim, 7 Drawing Sheets**



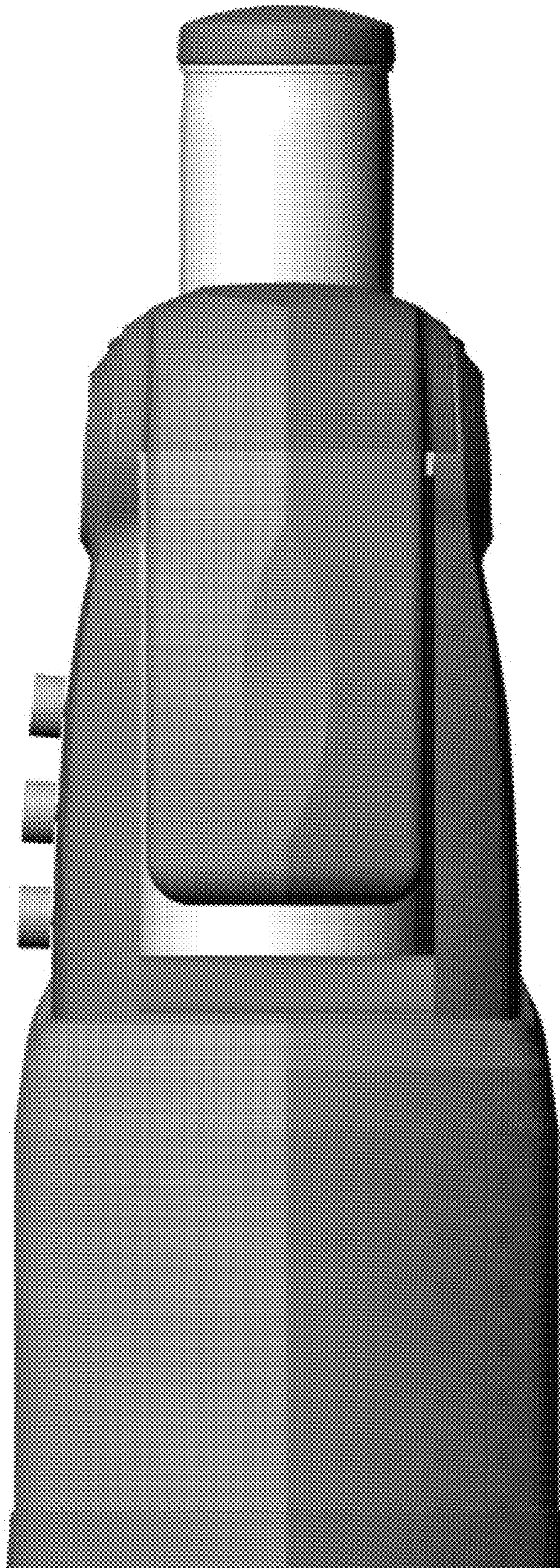
1.1



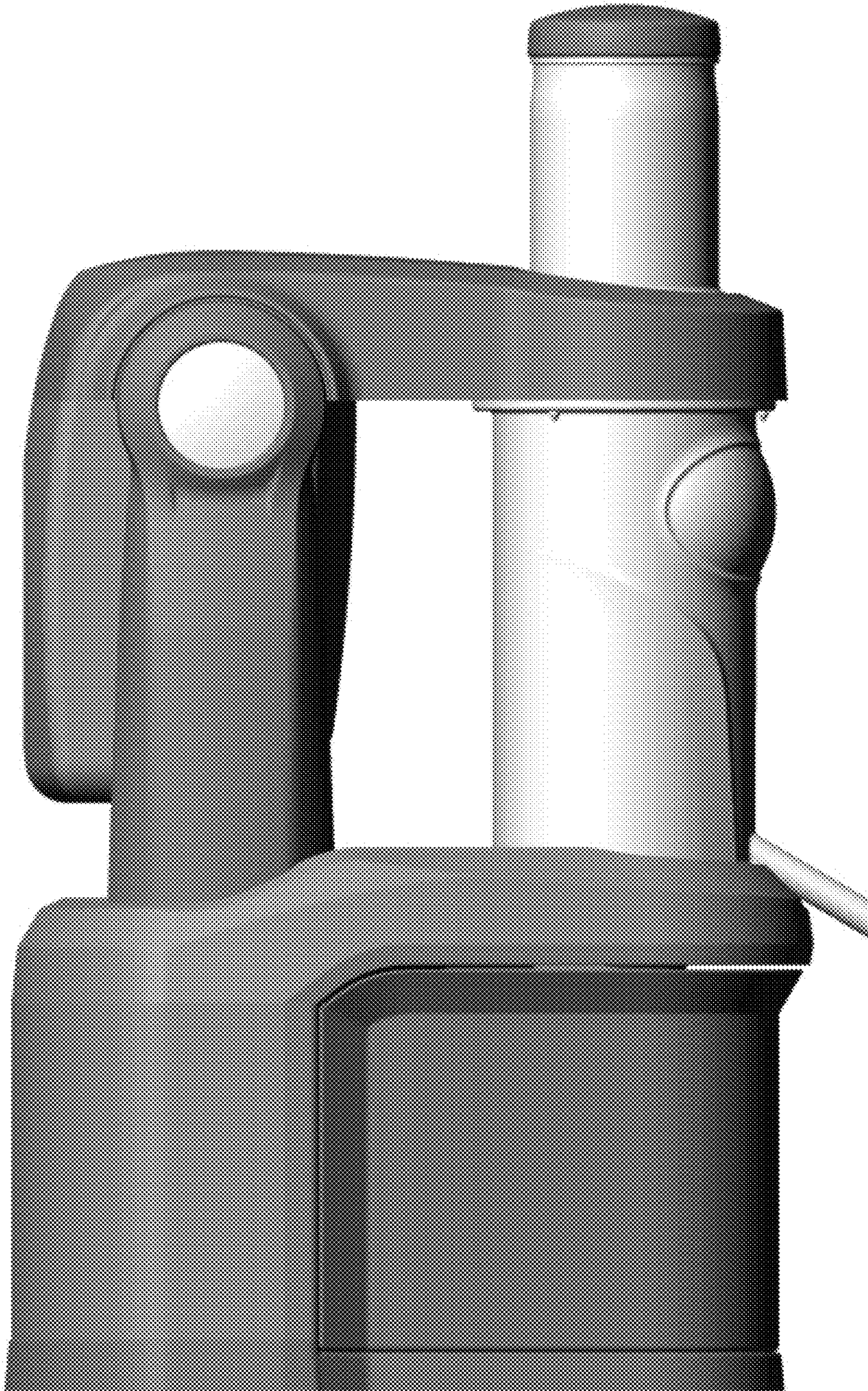
1.2



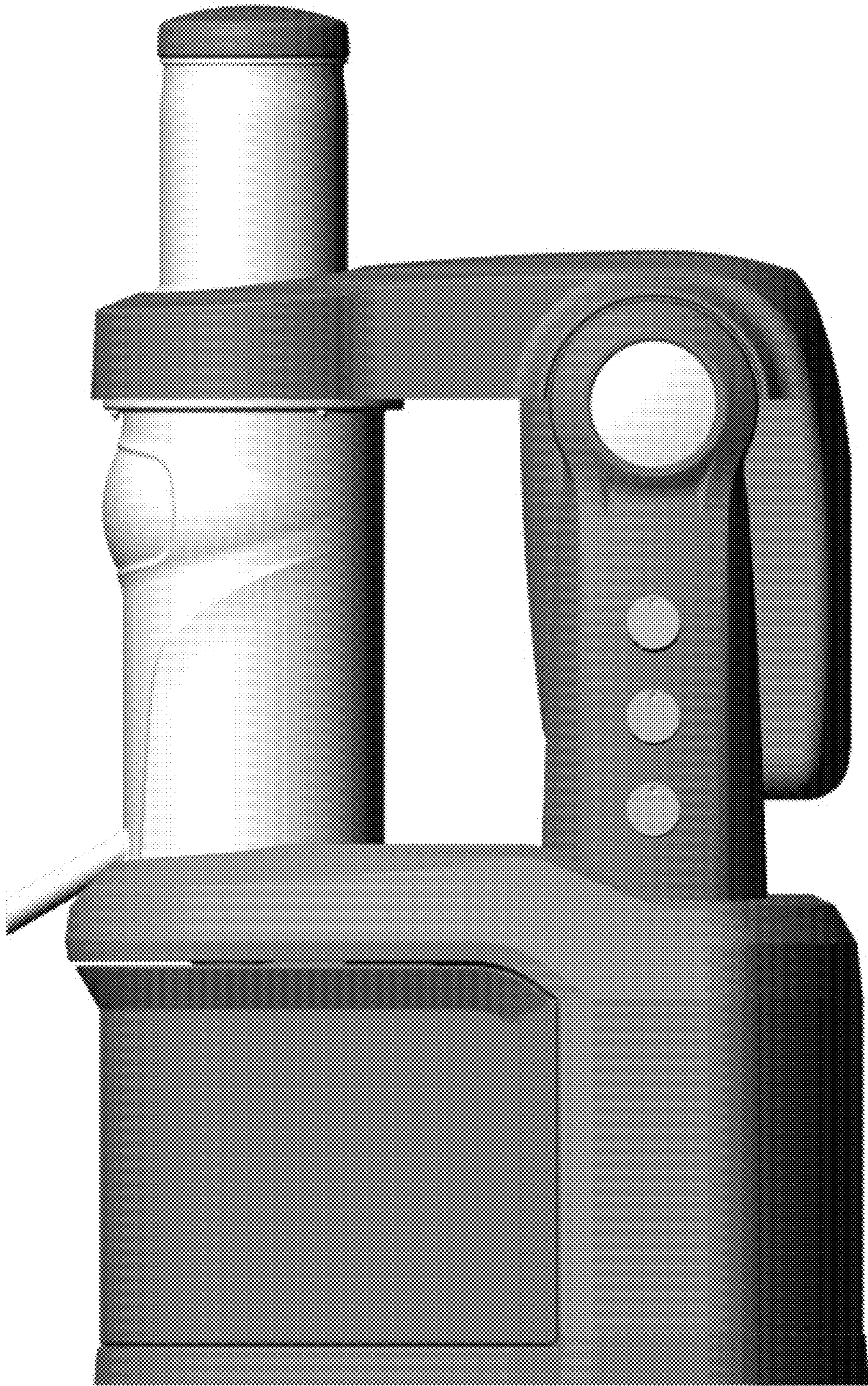
**1.3**



1.4



1.5



1.6



**1.7**

