



US00D795022S

(12) **United States Design Patent**  
**Freeder**

(10) **Patent No.:** **US D795,022 S**

(45) **Date of Patent:** **\*\* Aug. 22, 2017**

(54) **CUP HOLDER**

(71) Applicant: **Barry Michael Freeder**, London (GB)

(72) Inventor: **Barry Michael Freeder**, London (GB)

(73) Assignee: **Barry Michael Freeder**, London (GB)

(\*\*) Term: **15 Years**

(21) Appl. No.: **29/570,542**

(22) Filed: **Jul. 8, 2016**

(30) **Foreign Application Priority Data**

Jan. 9, 2016 (EM) ..... 002939603-0002

(51) **LOC (10) Cl.** ..... **07-06**

(52) **U.S. Cl.**  
USPC ..... **D7/620**

(58) **Field of Classification Search**  
USPC ..... D7/619.1-625  
CPC ..... A47C 7/62; A24F 19/007; B60R 7/043;  
B60N 2/4673; A47G 23/03; F17C 13/001;  
B65D 81/3886  
See application file for complete search history.

(56) **References Cited**

**U.S. PATENT DOCUMENTS**

- 1,738,557 A \* 12/1929 Beiling ..... A24F 19/007  
131/231
- 2,953,288 A \* 9/1960 Peterson ..... B60R 7/043  
211/86.01
- D202,385 S \* 9/1965 Wilson ..... D12/424
- 4,195,880 A \* 4/1980 Henkhaus ..... A47C 7/62  
248/694
- D261,592 S \* 11/1981 Wilson ..... D7/624.2

- 4,858,995 A \* 8/1989 Young ..... B60N 2/4673  
297/227
- D311,450 S \* 10/1990 Burns ..... D12/425
- D337,027 S \* 7/1993 Malatok ..... D7/507
- D376,733 S \* 12/1996 Bellisario ..... D7/619.1
- D381,807 S \* 8/1997 Pickle ..... D12/421
- D637,460 S \* 5/2011 Tussy ..... D7/624.1

\* cited by examiner

*Primary Examiner* — Terry Wallace

(74) *Attorney, Agent, or Firm* — Steve Zemanick; Four Reasons Legal

(57) **CLAIM**

The ornamental design for a cup holder, as shown and described.

**DESCRIPTION**

FIG. 1 is a perspective view of a cup holder showing my new design.

FIG. 2 is a front elevational view of the cup holder of FIG. 1;

FIG. 3 is a rear elevational view of the cup holder of FIG. 1;

FIG. 4 is a top elevational view of the cup holder of FIG. 1;

FIG. 5 is a bottom elevational view of the cup holder of FIG. 1;

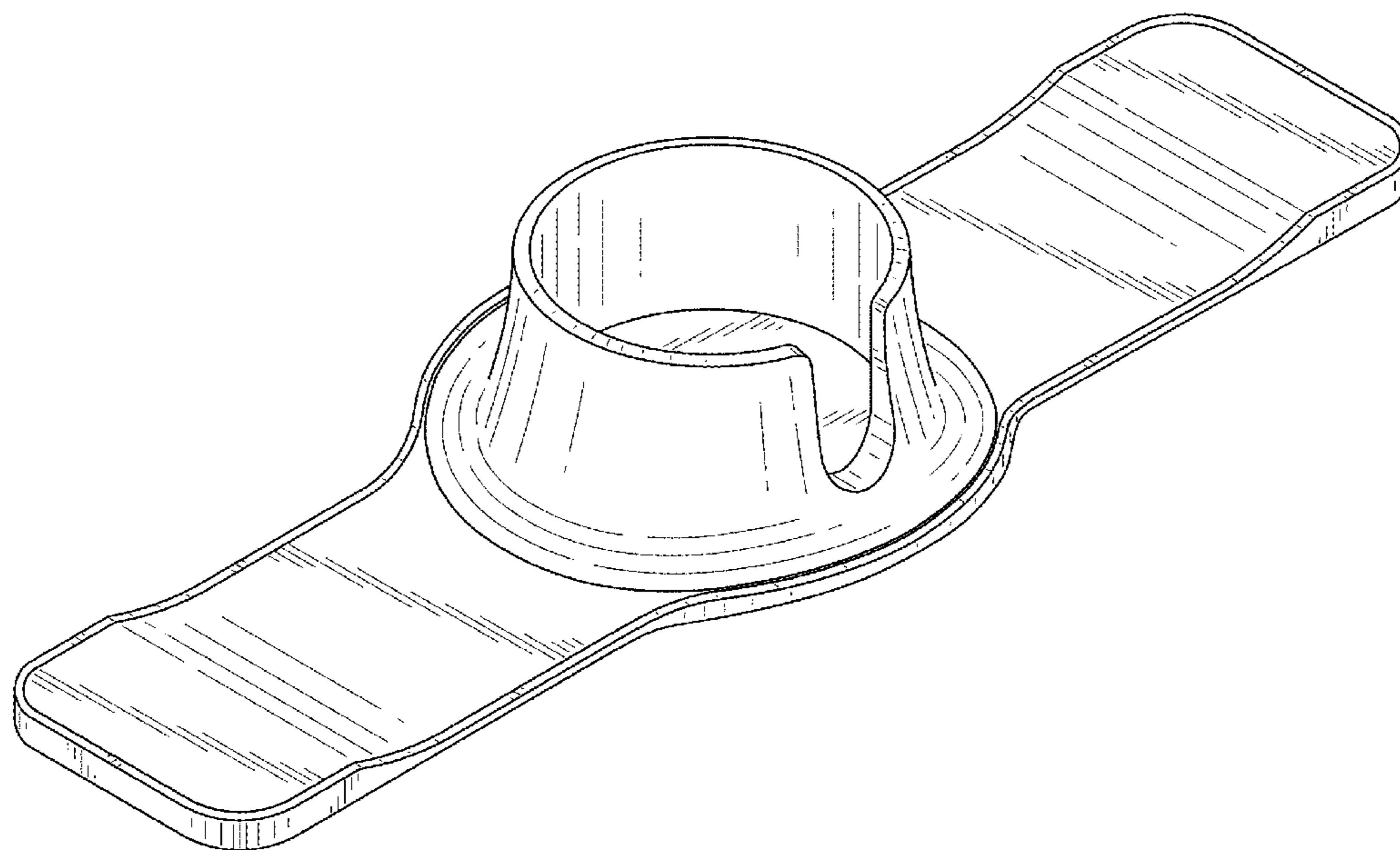
FIG. 6 is a right side elevational view of the cup holder of FIG. 1;

FIG. 7 is a left side elevational view of the cup holder of FIG. 1; and,

FIG. 8 is perspective view of the cup holder of FIG. 1, shown in a representative environment.

The features shown in broken lines are environment only and not part of the claimed design.

**1 Claim, 5 Drawing Sheets**



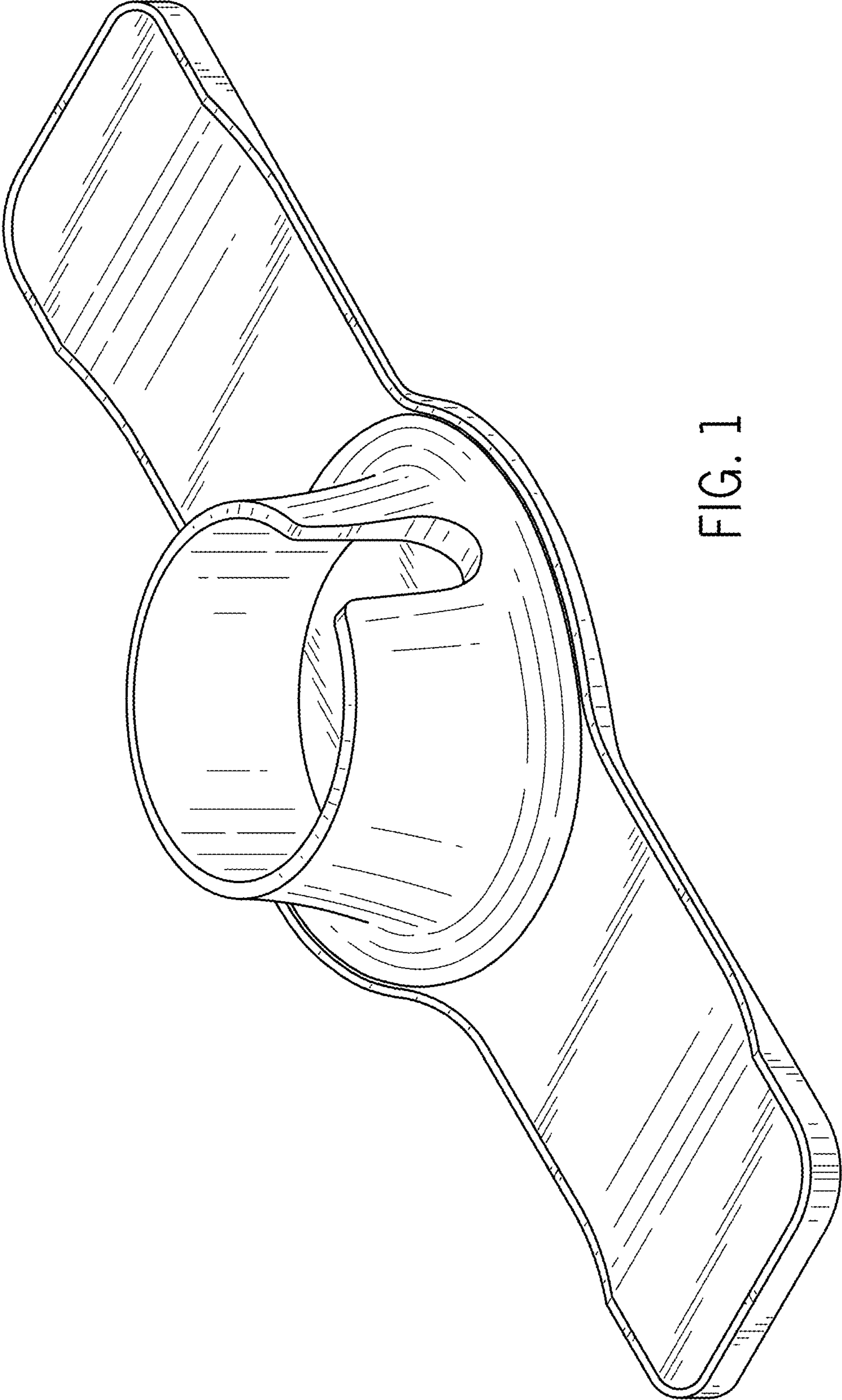


FIG. 1

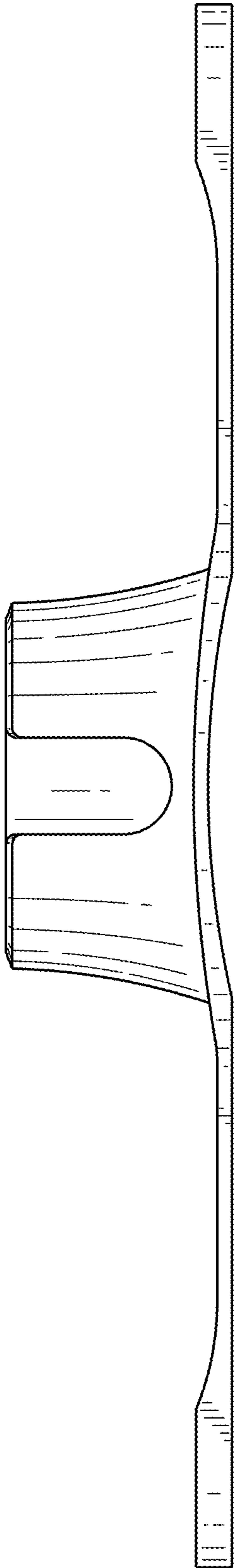


FIG. 2

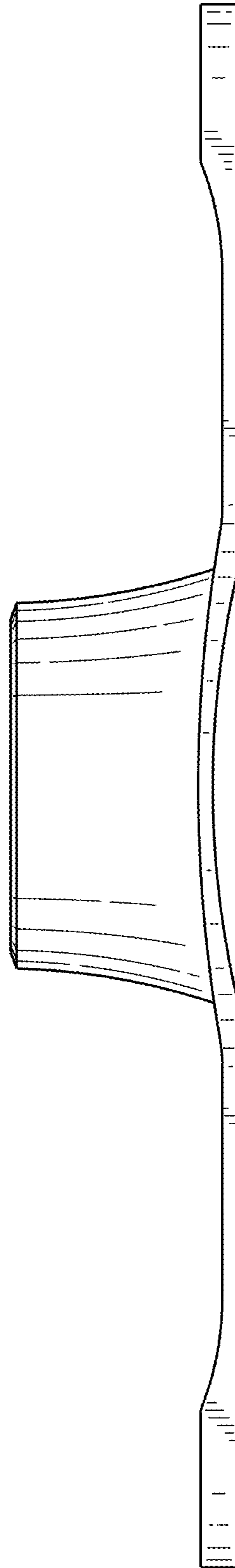


FIG. 3

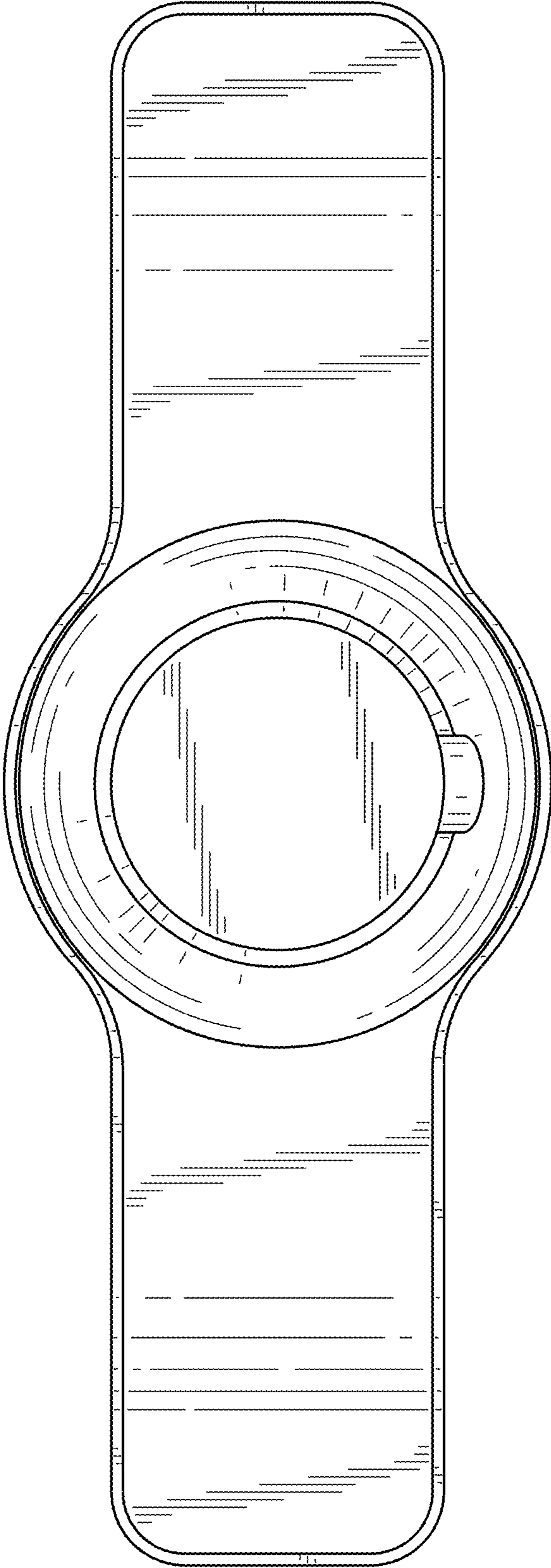


FIG. 4

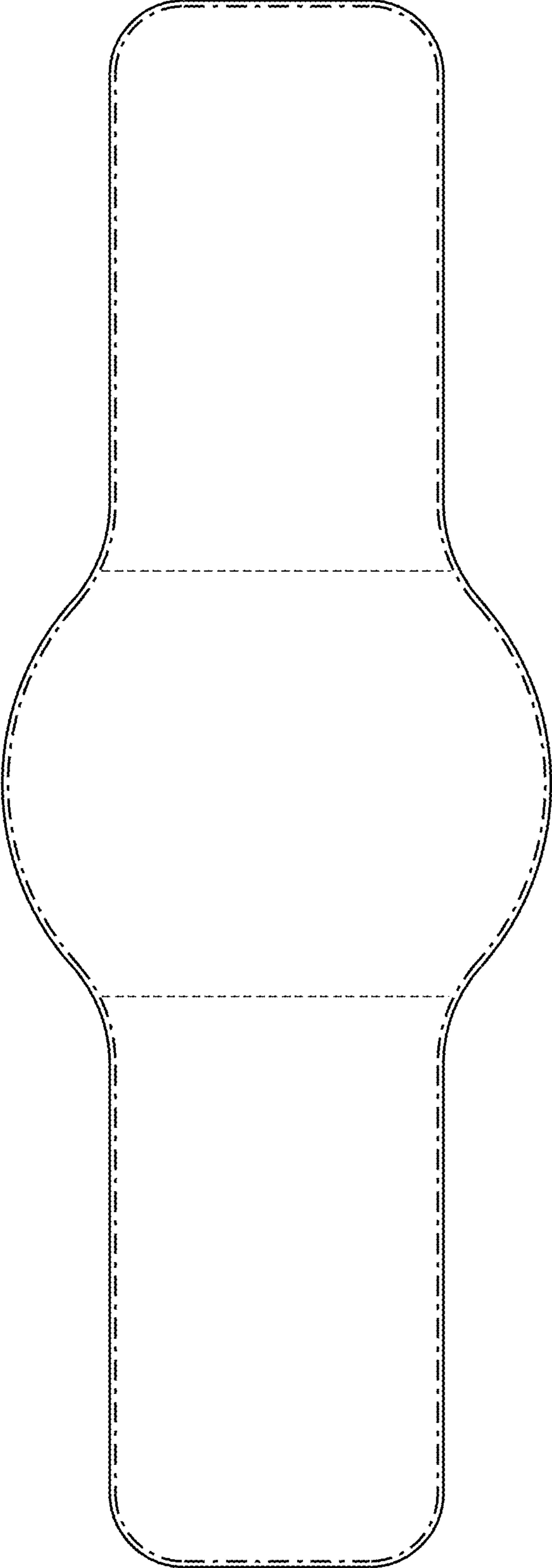


FIG. 5

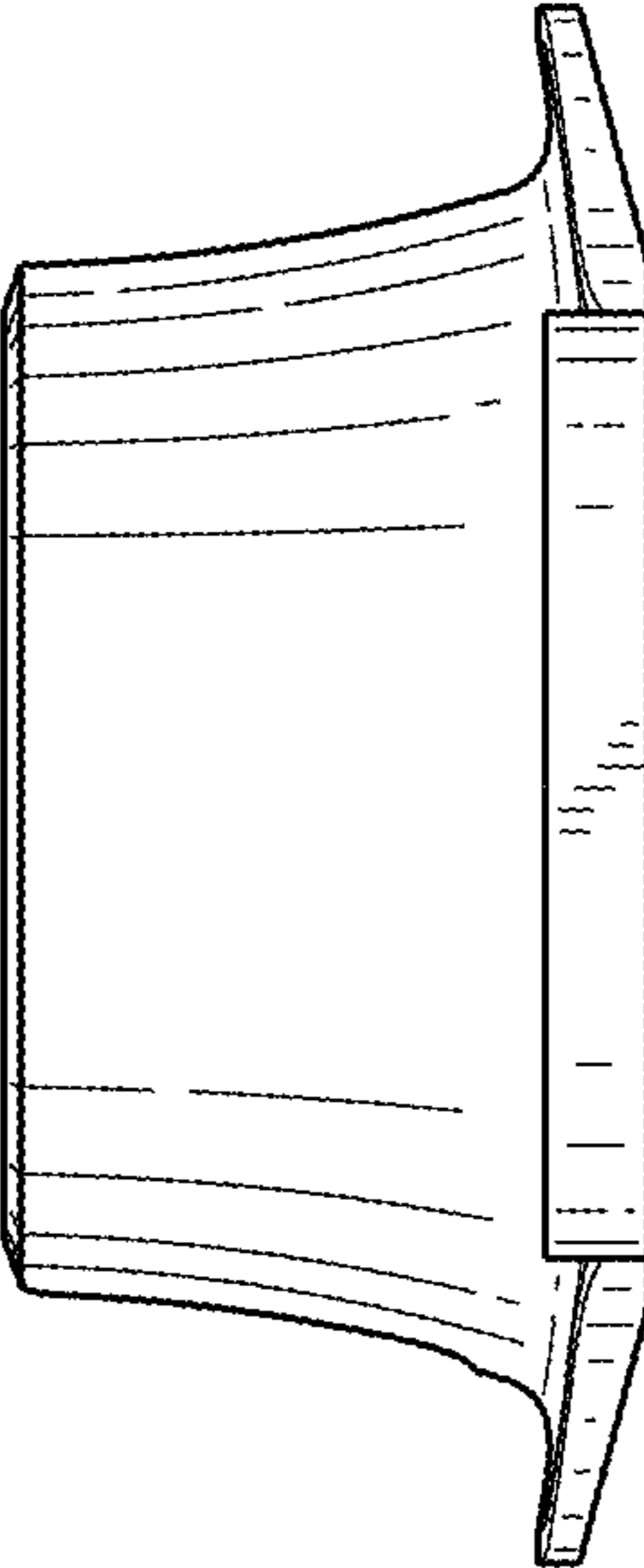


FIG. 6

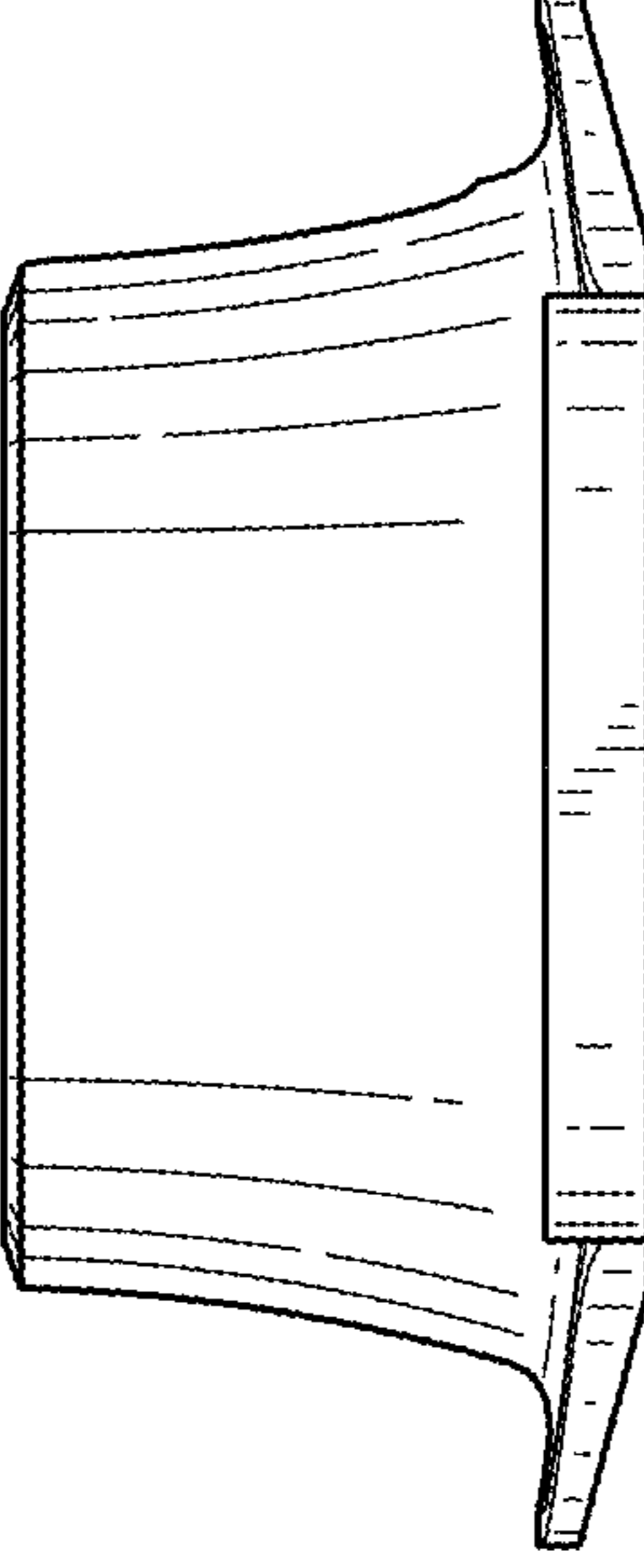


FIG. 7



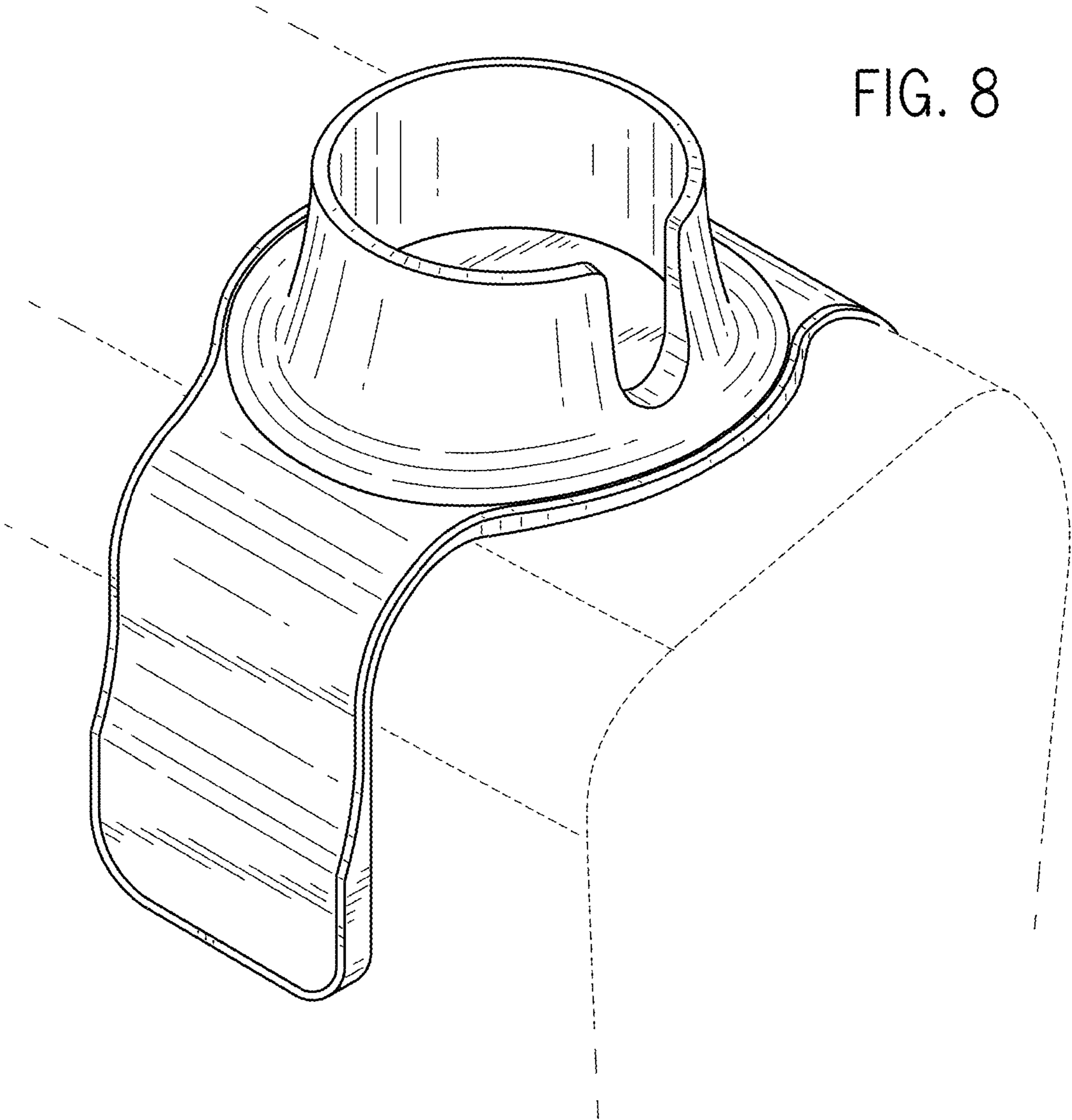


FIG. 8