



US00D795021S

(12) **United States Design Patent**
Lindloff

(10) **Patent No.:** **US D795,021 S**

(45) **Date of Patent:** **** Aug. 22, 2017**

(54) **CUP HOLDER**

D437,187 S * 2/2001 Cheng D7/622
D623,118 S * 9/2010 Lindloff D12/411

(71) Applicant: **Ciro, LLC**, Hudson, WI (US)

* cited by examiner

(72) Inventor: **Christopher Lindloff**, New Richmond, WI (US)

Primary Examiner — Terry Wallace

(73) Assignee: **Ciro, LLC**, Hudson, WI (US)

(74) *Attorney, Agent, or Firm* — Dicke, Billig & Czaja, PLLC

(**) Term: **15 Years**

(57) **CLAIM**

(21) Appl. No.: **29/565,180**

The ornamental design for a cup holder, as shown and described.

(22) Filed: **May 18, 2016**

(51) **LOC (10) Cl.** **07-06**

(52) **U.S. Cl.**

USPC **D7/620**

(58) **Field of Classification Search**

USPC D7/619.1-625, 605, 708; D12/411
CPC A47K 1/09; A47K 10/14; B60N 3/106;
A47G 23/0225; A47G 29/08; A47G
23/0216; F16M 11/04; E06C 7/14

See application file for complete search history.

DESCRIPTION

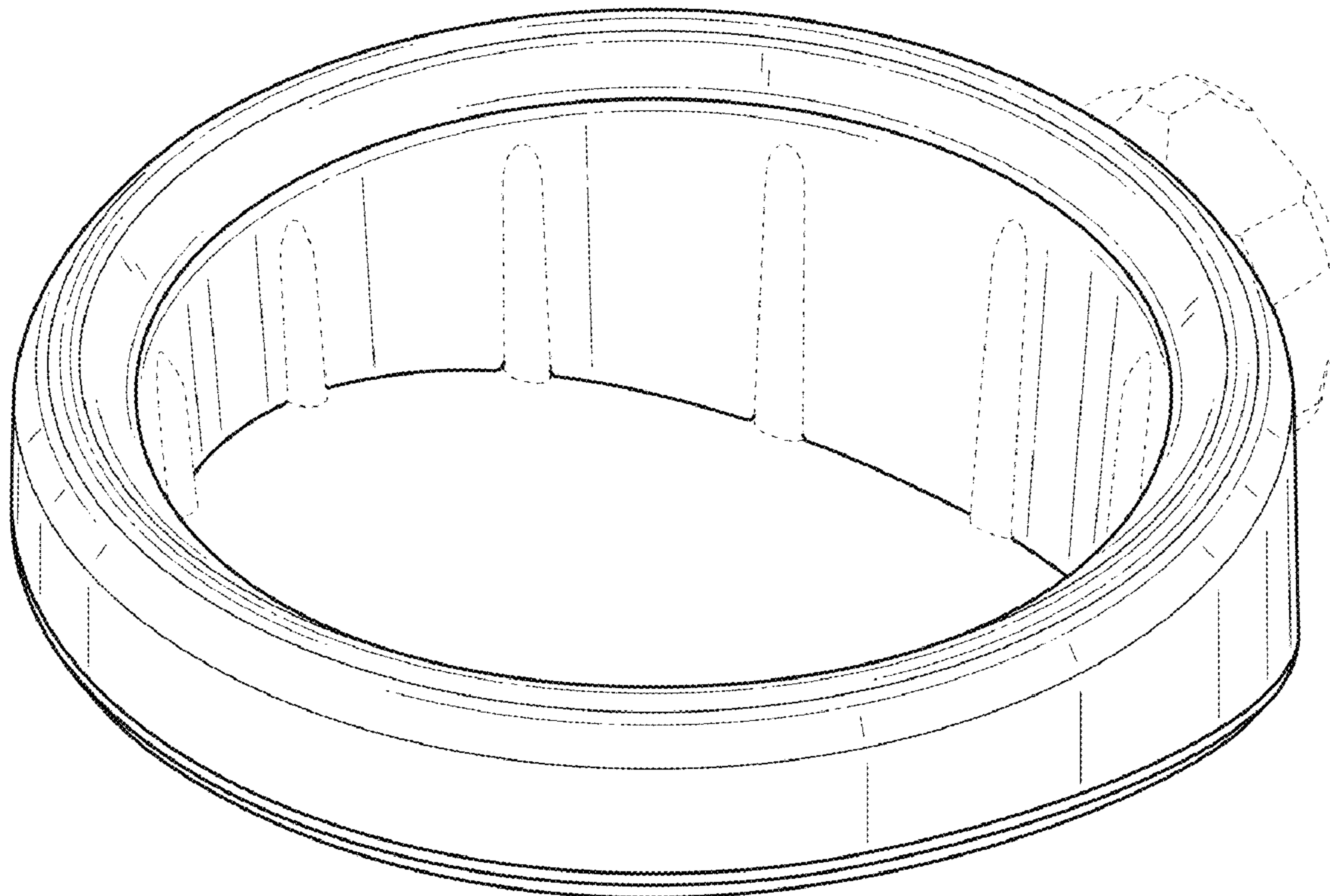
FIG. 1 is a perspective view of the cup holder.
FIG. 2 is a front elevation view thereof.
FIG. 3 is a rear elevation view thereof.
FIG. 4 is a top side view thereof.
FIG. 5 is a bottom side view thereof; and,
FIG. 6 is a right side view thereof, the left side view being a mirror image of the right side view.
The cup holder mount, and the inner and bottom surface portions shown in broken lines form no part of the claimed design.

(56) **References Cited**

U.S. PATENT DOCUMENTS

5,655,805 A * 8/1997 Shaddy A47G 23/0216
220/738

1 Claim, 6 Drawing Sheets



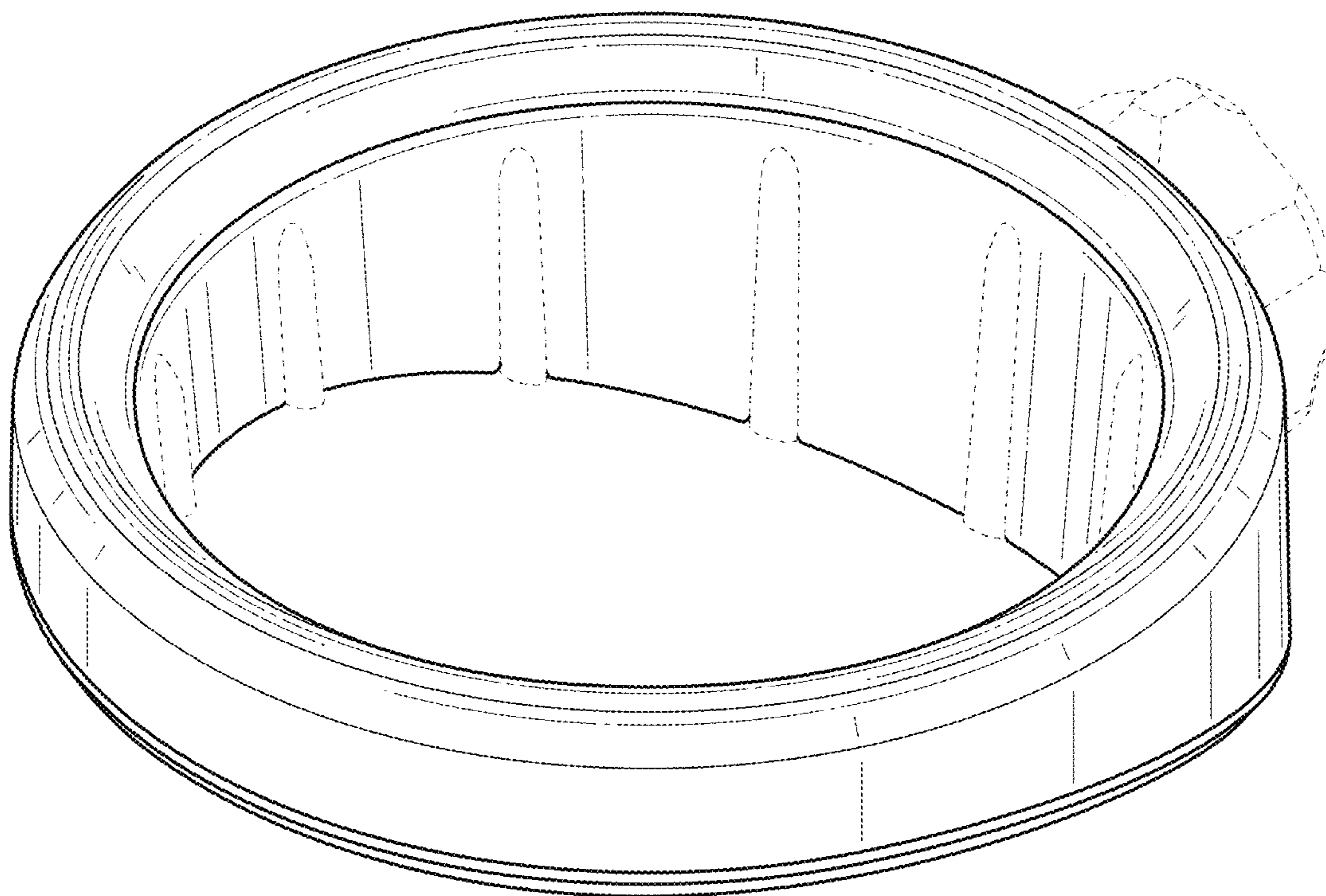


Fig. 1

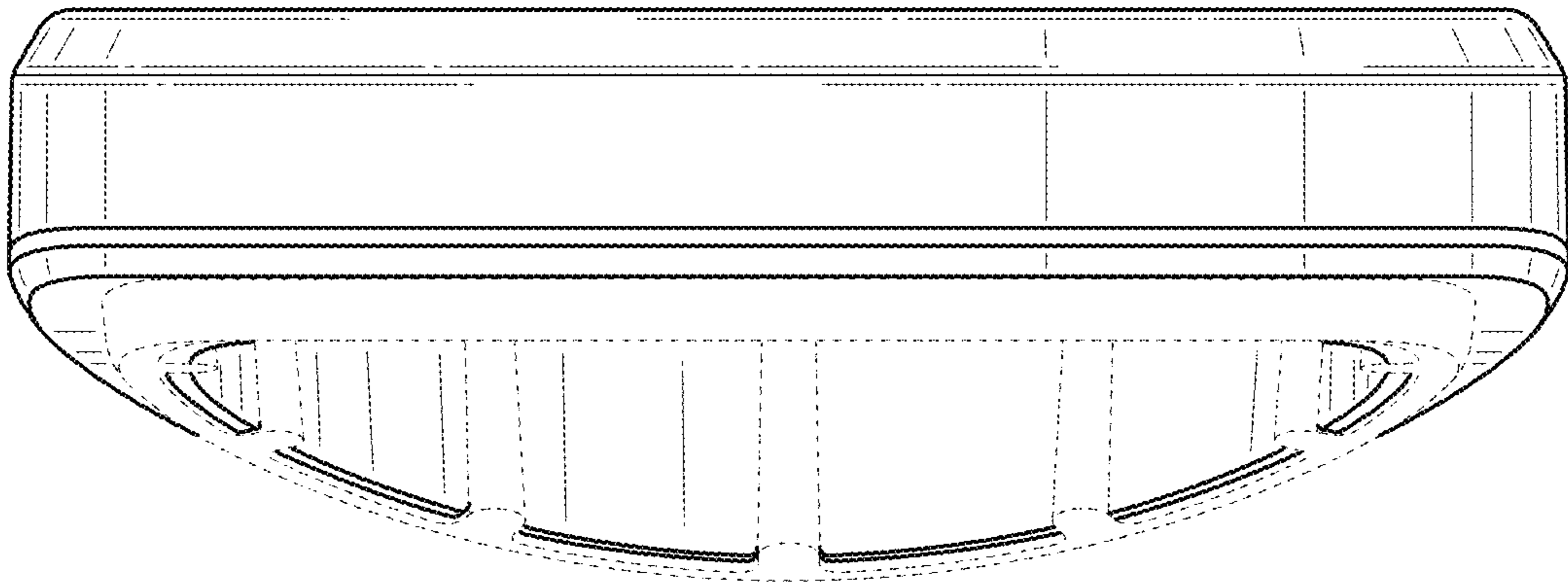


Fig. 2

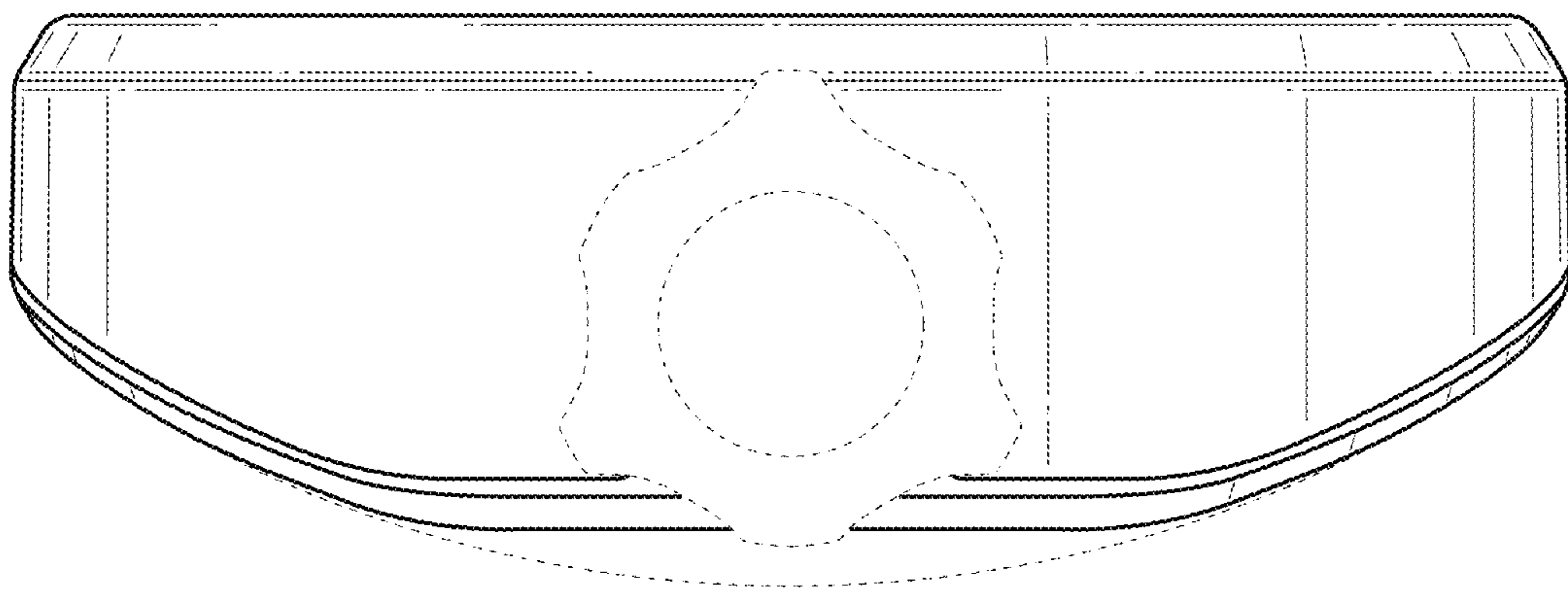


Fig. 3

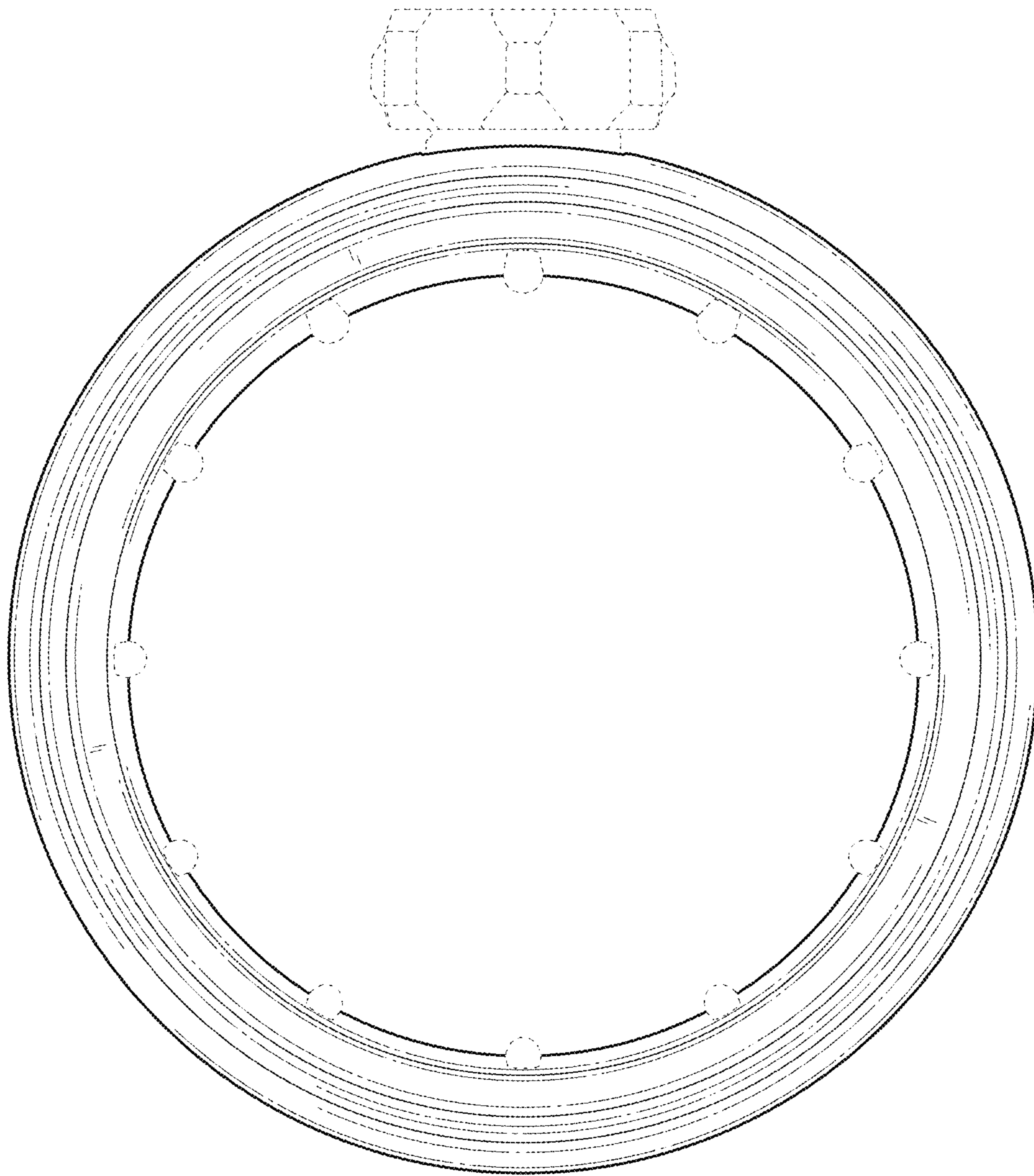


Fig. 4

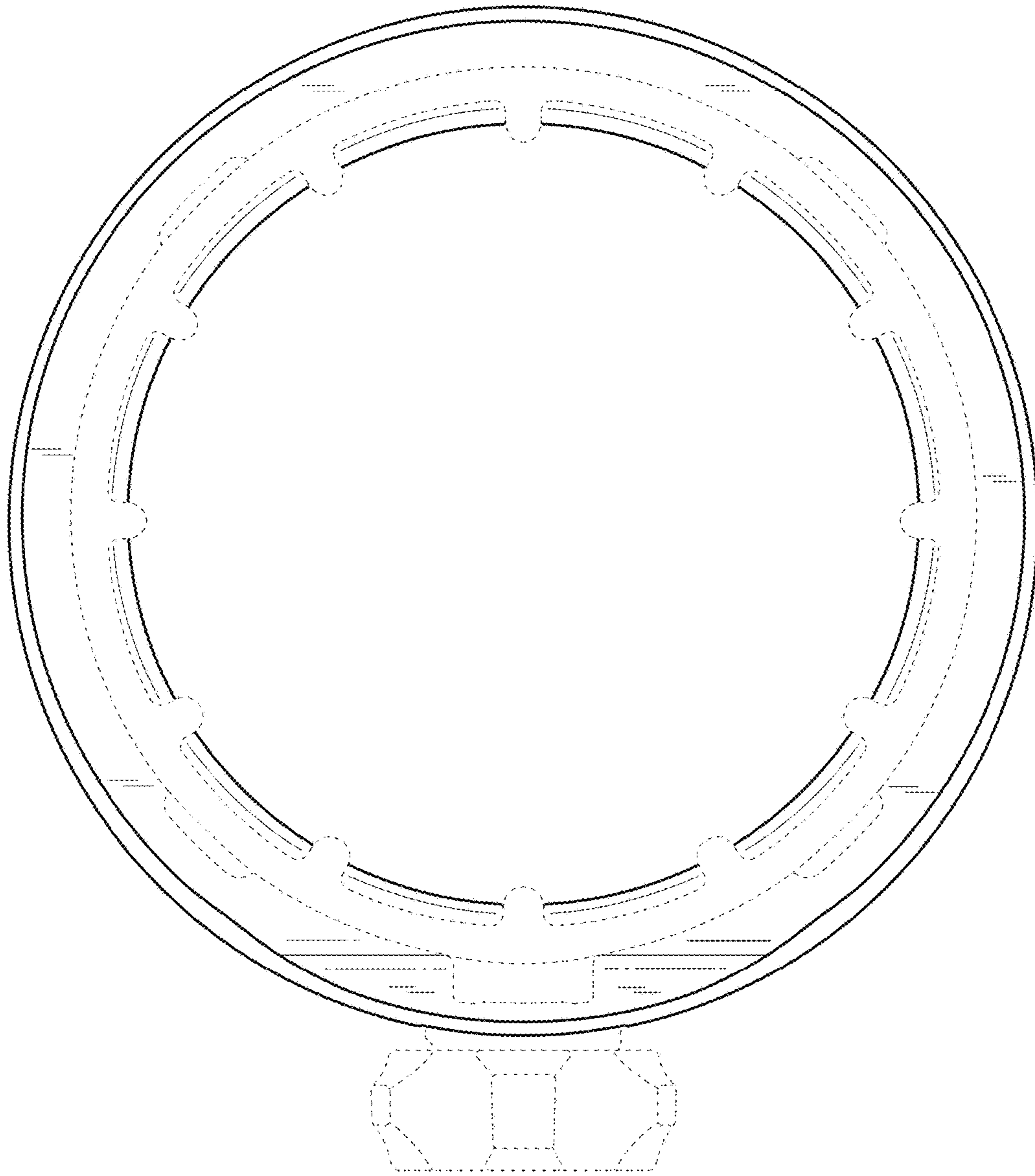


Fig. 5

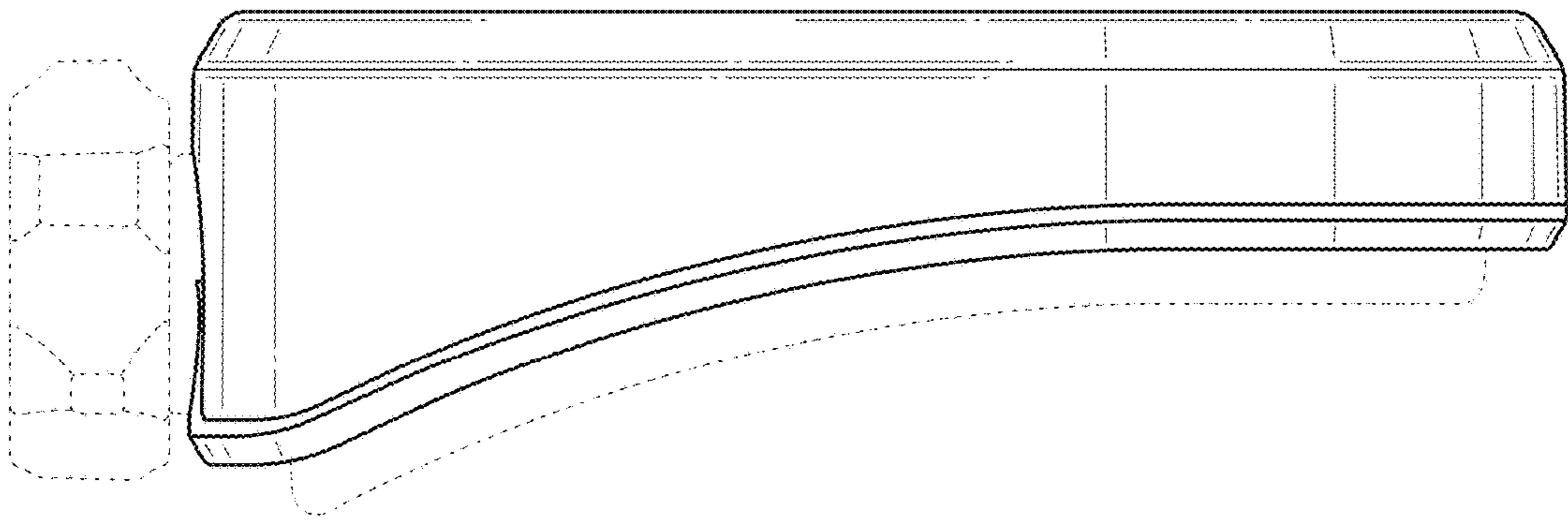


Fig. 6