



US00D795018S

(12) **United States Design Patent**
Klettner

(10) **Patent No.:** **US D795,018 S**

(45) **Date of Patent:** **** Aug. 22, 2017**

- (54) **COOLER HAVING AN INTERIOR LOCKABLE COMPARTMENT**
- (71) Applicant: **Angela Klettner**, Danbury, CT (US)
- (72) Inventor: **Angela Klettner**, Danbury, CT (US)
- (**) Term: **15 Years**
- (21) Appl. No.: **29/578,461**
- (22) Filed: **Sep. 21, 2016**
- (51) **LOC (10) Cl.** **07-01**
- (52) **U.S. Cl.**
USPC **D7/605**
- (58) **Field of Classification Search**
USPC D7/605-608; D3/272, 273, 274; D34/1, D34/39
CPC ... A45C 11/20; F25D 3/08; F25D 3/14; F25D 3/06; F25D 2331/804; F25B 19/00; A01K 97/06; A01K 97/26; A01K 97/22; B65D 81/3823; B65D 81/3816
See application file for complete search history.

- D396,779 S * 8/1998 Moffett, III D7/605
- 5,816,433 A * 10/1998 Higgins A45C 11/20
220/503
- 5,864,981 A * 2/1999 Zeman A01K 97/22
206/315.11
- 6,076,298 A * 6/2000 Teel A01K 97/22
43/54.1
- 6,966,450 B2 * 11/2005 Askew B65D 81/3816
220/529
- 8,256,156 B1 * 9/2012 Burgoyne, Jr. A01K 97/06
206/315.11
- 8,256,242 B1 * 9/2012 Evans A45C 11/20
62/457.7
- 8,479,947 B1 * 7/2013 Albrecht, II A45C 11/20
220/524
- D693,183 S * 11/2013 Lyles D7/605

* cited by examiner

Primary Examiner — Terry Wallace
(74) *Attorney, Agent, or Firm* — Mitchell Law PLLC;
Matthew W. Mitchell

(57) **CLAIM**

The ornamental design for a cooler having an interior lockable compartment, as shown and described.

DESCRIPTION

FIG. 1 is a front isometric view of the cooler having an interior lockable compartment of the present invention; FIG. 2 is a second isometric view of the invention of FIG. 1; FIG. 3 is a front view of the invention of FIG. 1; FIG. 4 is a rear view of the invention of FIG. 1; FIG. 5 is a side view of the invention of FIG. 1, as seen from the left side of FIG. 3; FIG. 6 is a side view of the invention of FIG. 1, as seen from the right side of FIG. 3; and, FIG. 7 is a top plan view in elevation of the invention of FIG. 1.

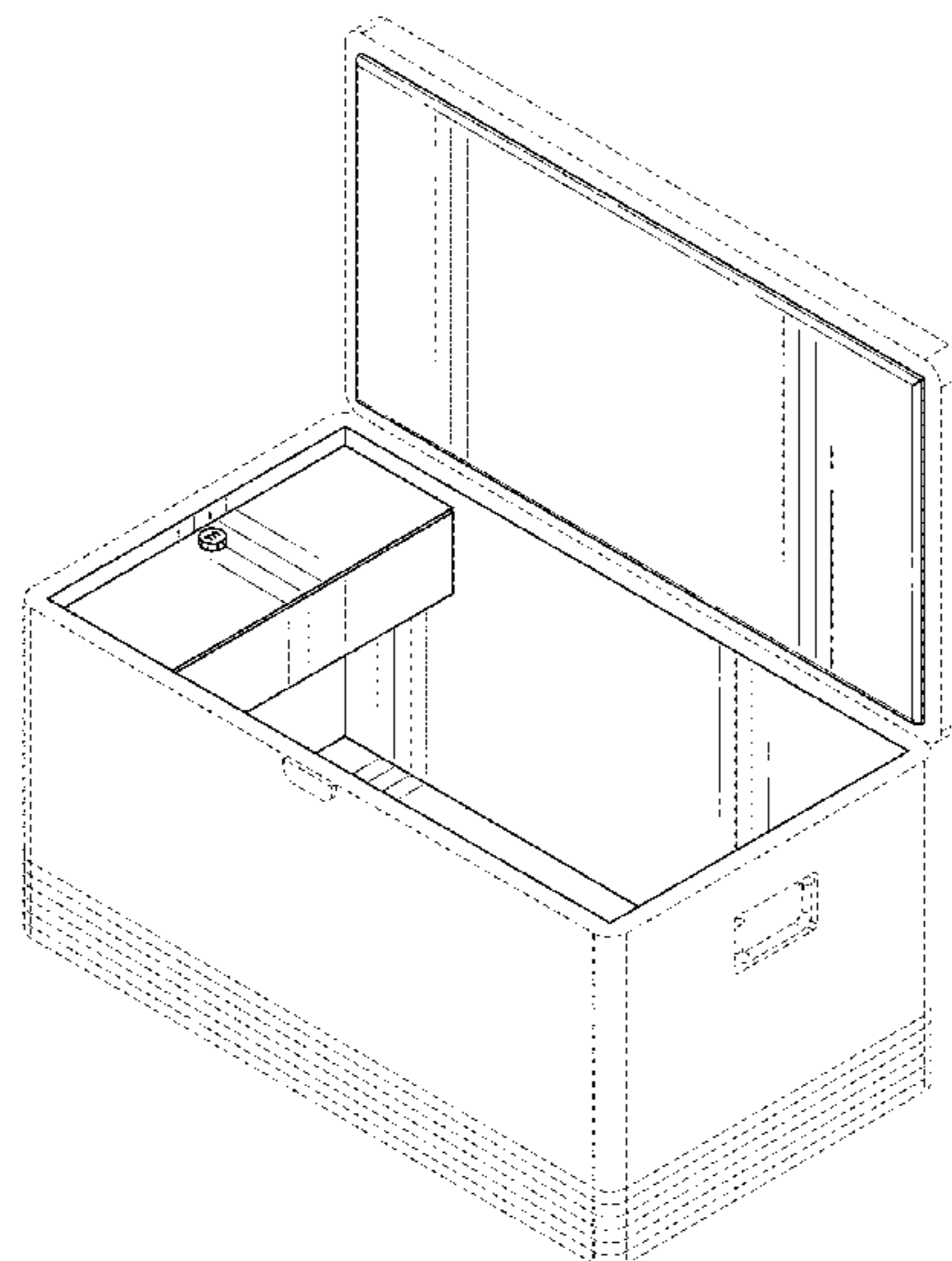
The broken lines form no part of the claimed design.

1 Claim, 7 Drawing Sheets

(56) **References Cited**

U.S. PATENT DOCUMENTS

- 3,395,550 A * 8/1968 Dungan F25D 3/08
62/371
- 3,959,982 A * 6/1976 Denis F25B 19/00
236/92 B
- 4,024,731 A * 5/1977 Branscum B65D 81/3823
215/385
- 4,515,421 A * 5/1985 Steffes A45C 11/20
312/351
- 4,659,154 A * 4/1987 Jenkins A01K 97/26
269/907
- 4,759,467 A * 7/1988 Byrne F25D 3/06
220/495.08
- 5,305,544 A * 4/1994 Testa, Jr. A01K 97/05
206/315.11
- 5,605,056 A * 2/1997 Brown A01K 97/04
312/210



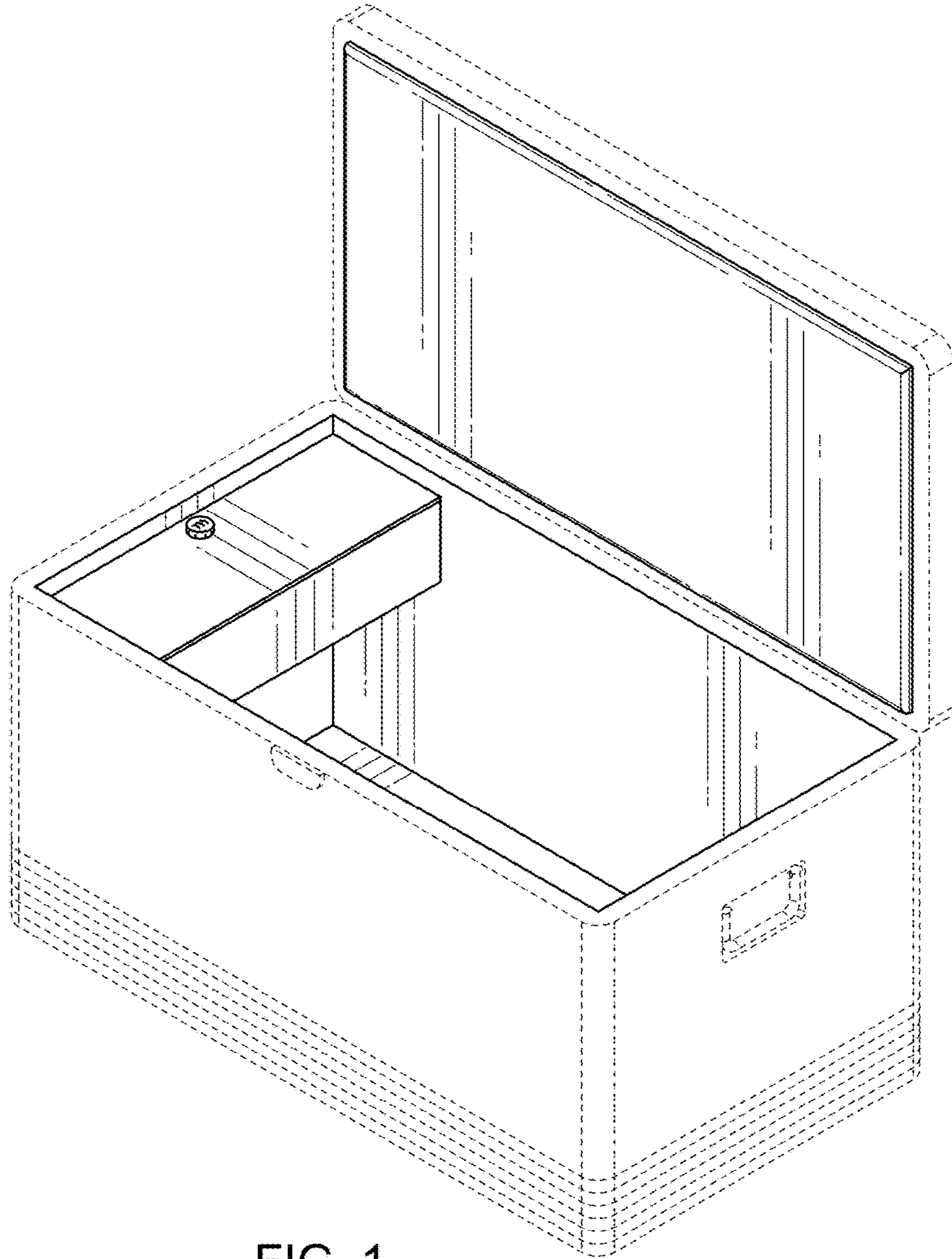


FIG. 1

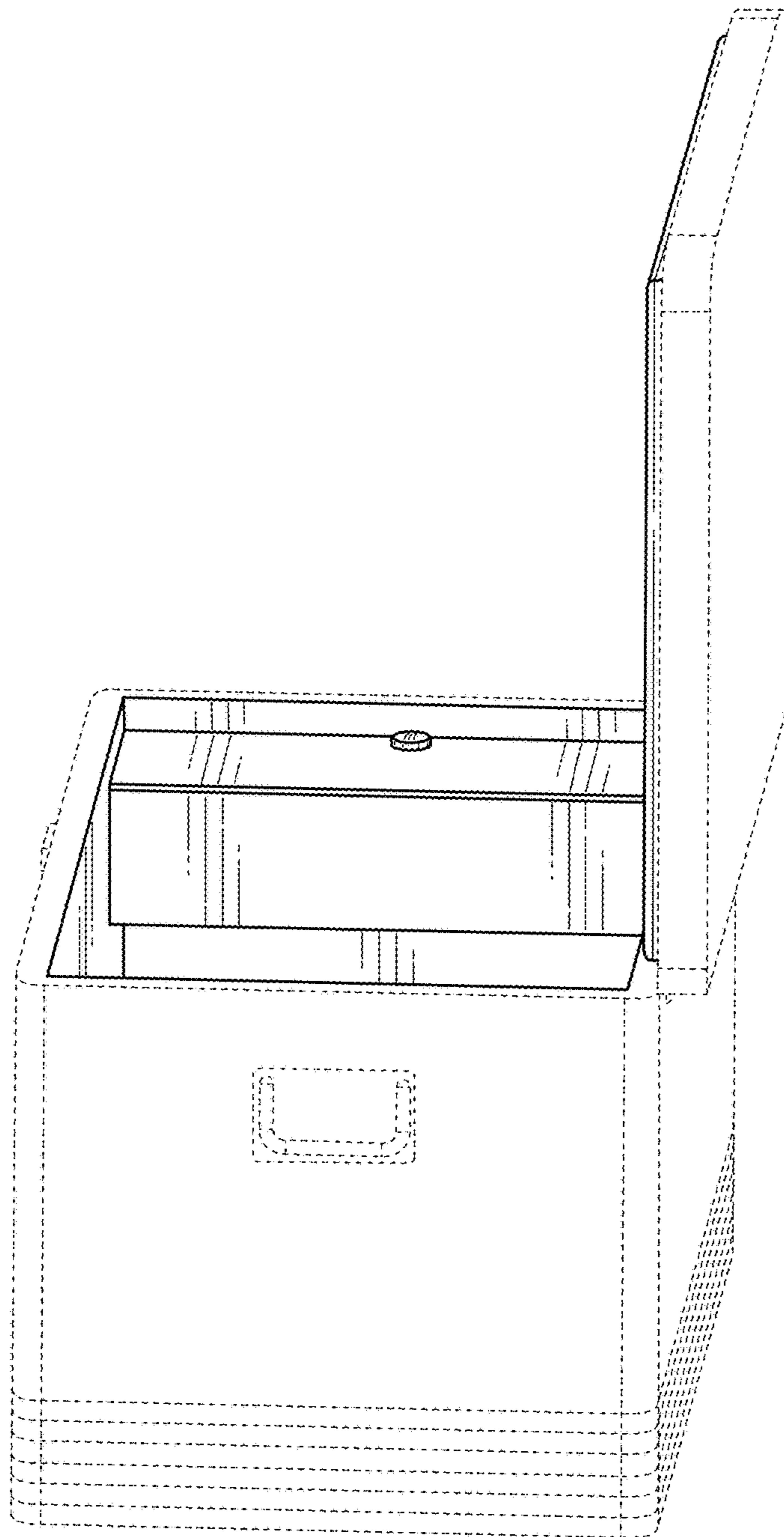


FIG. 2

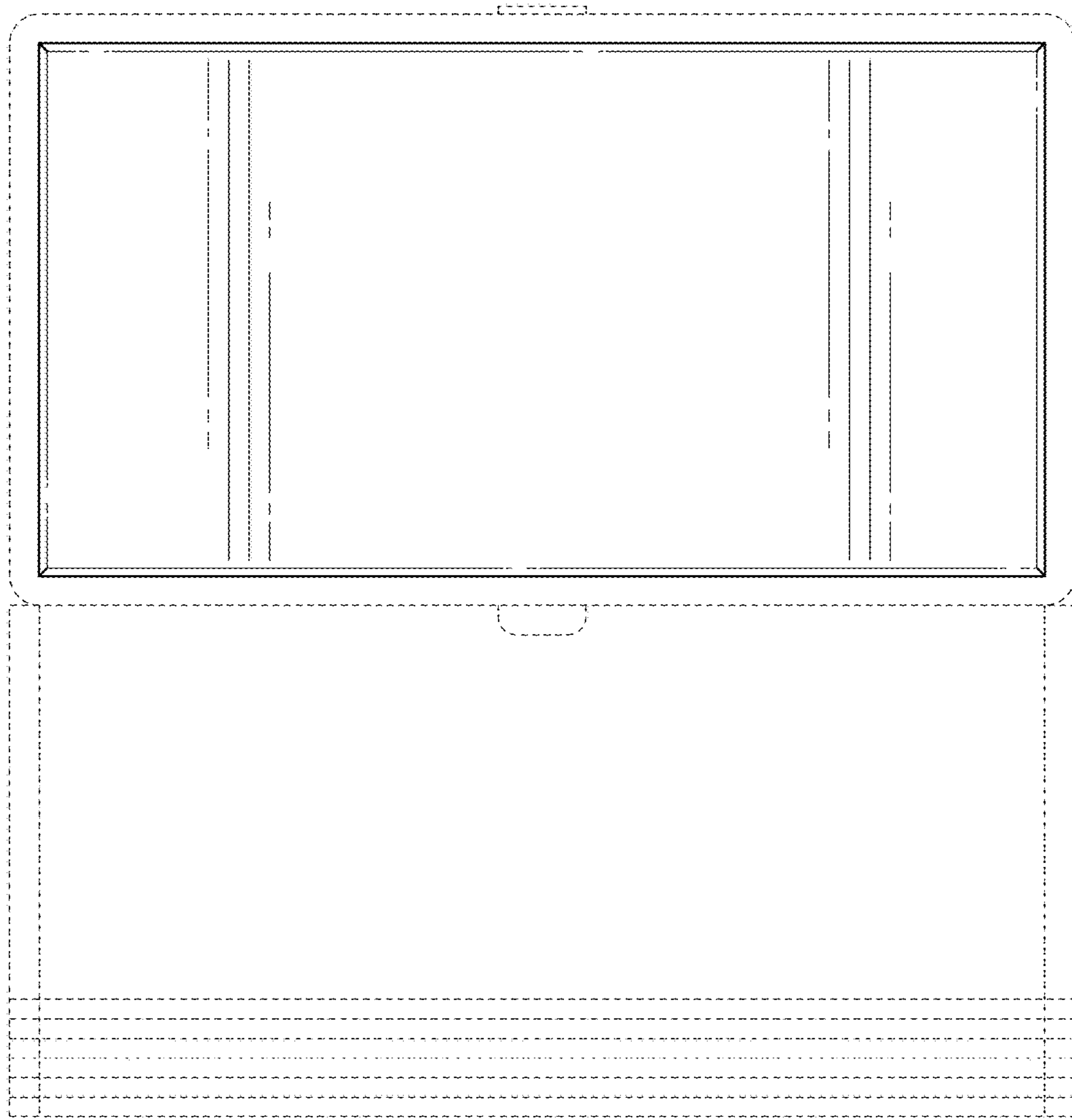


FIG. 3

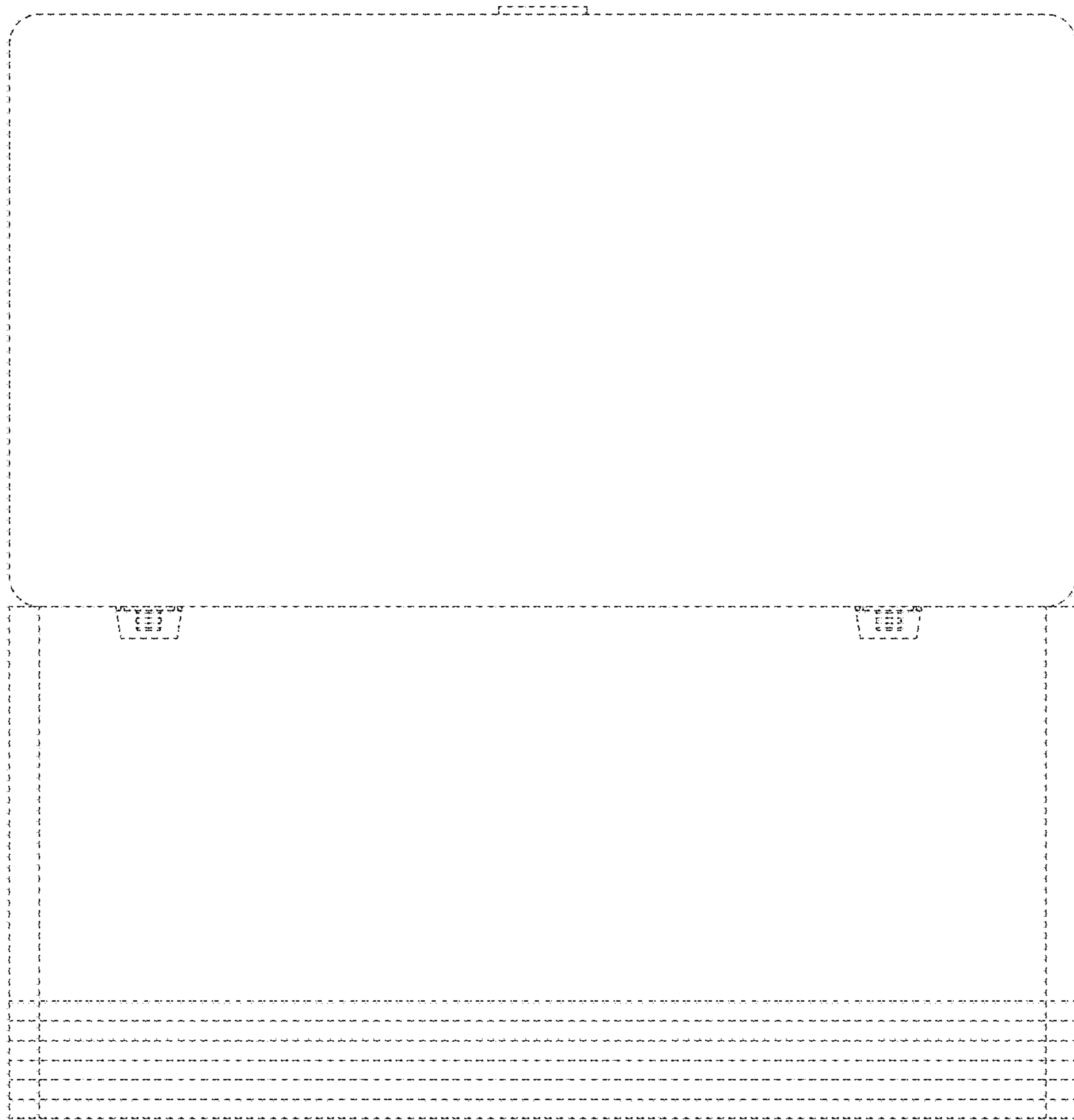


FIG. 4

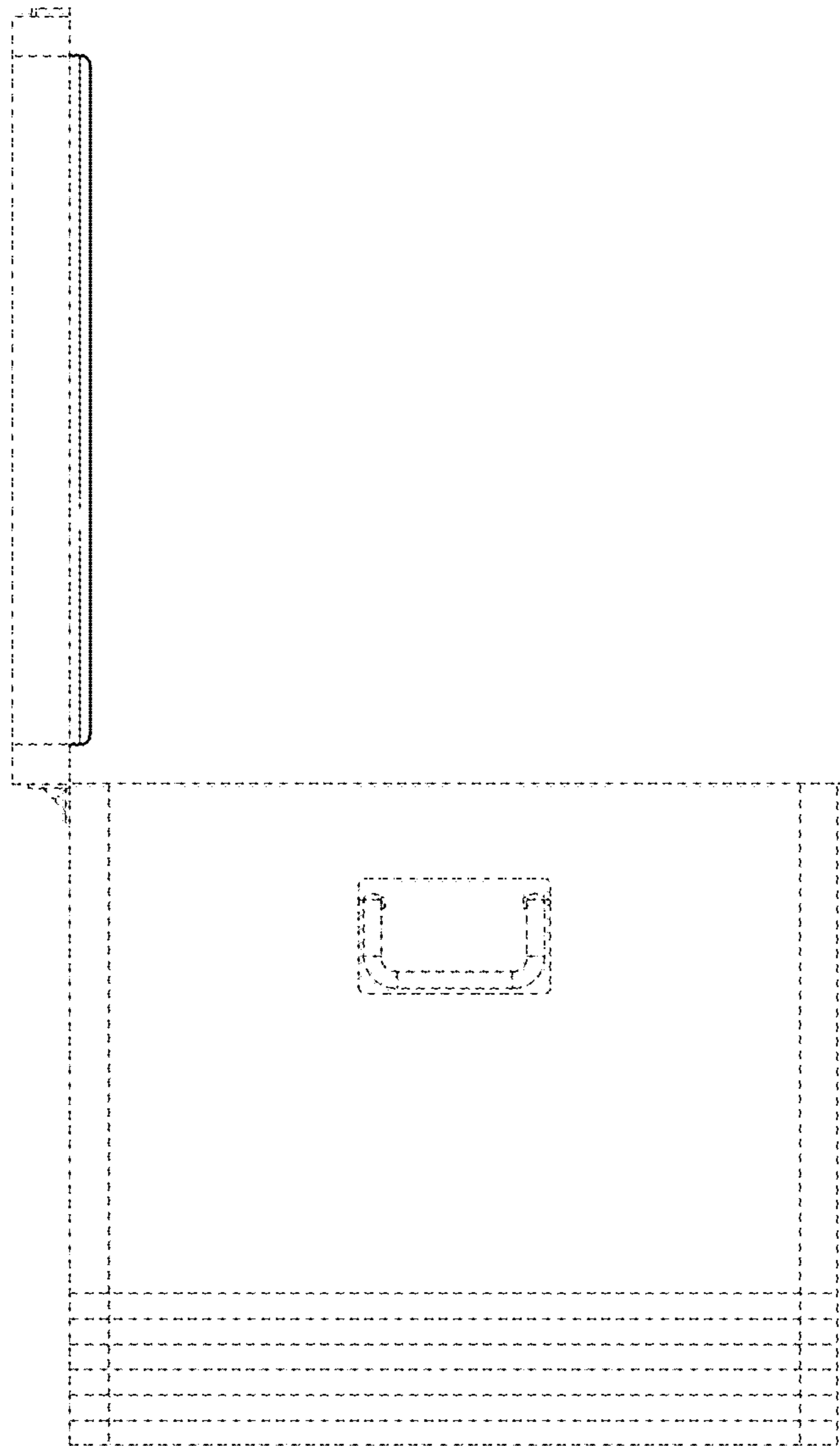


FIG. 5

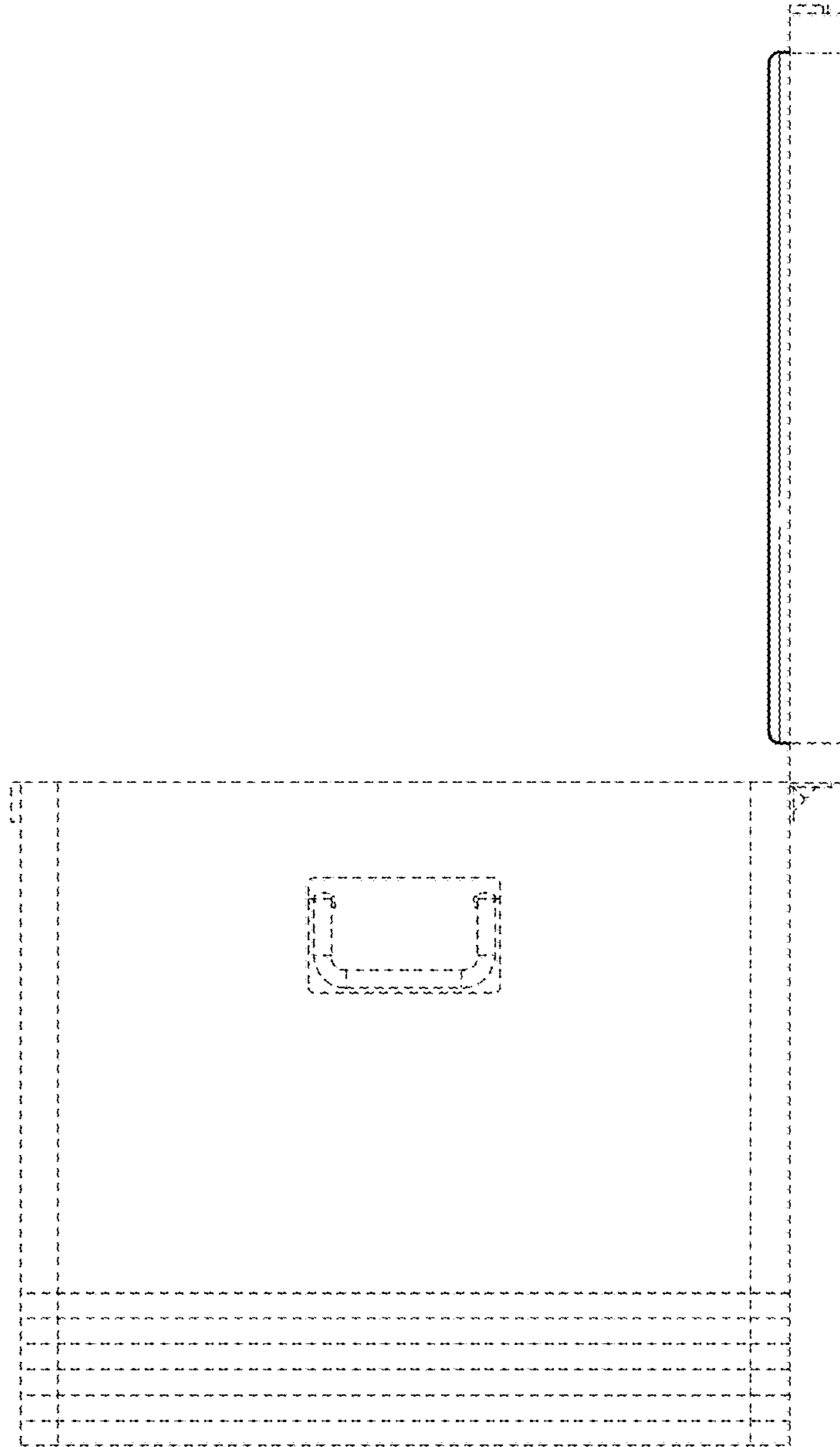


FIG. 6

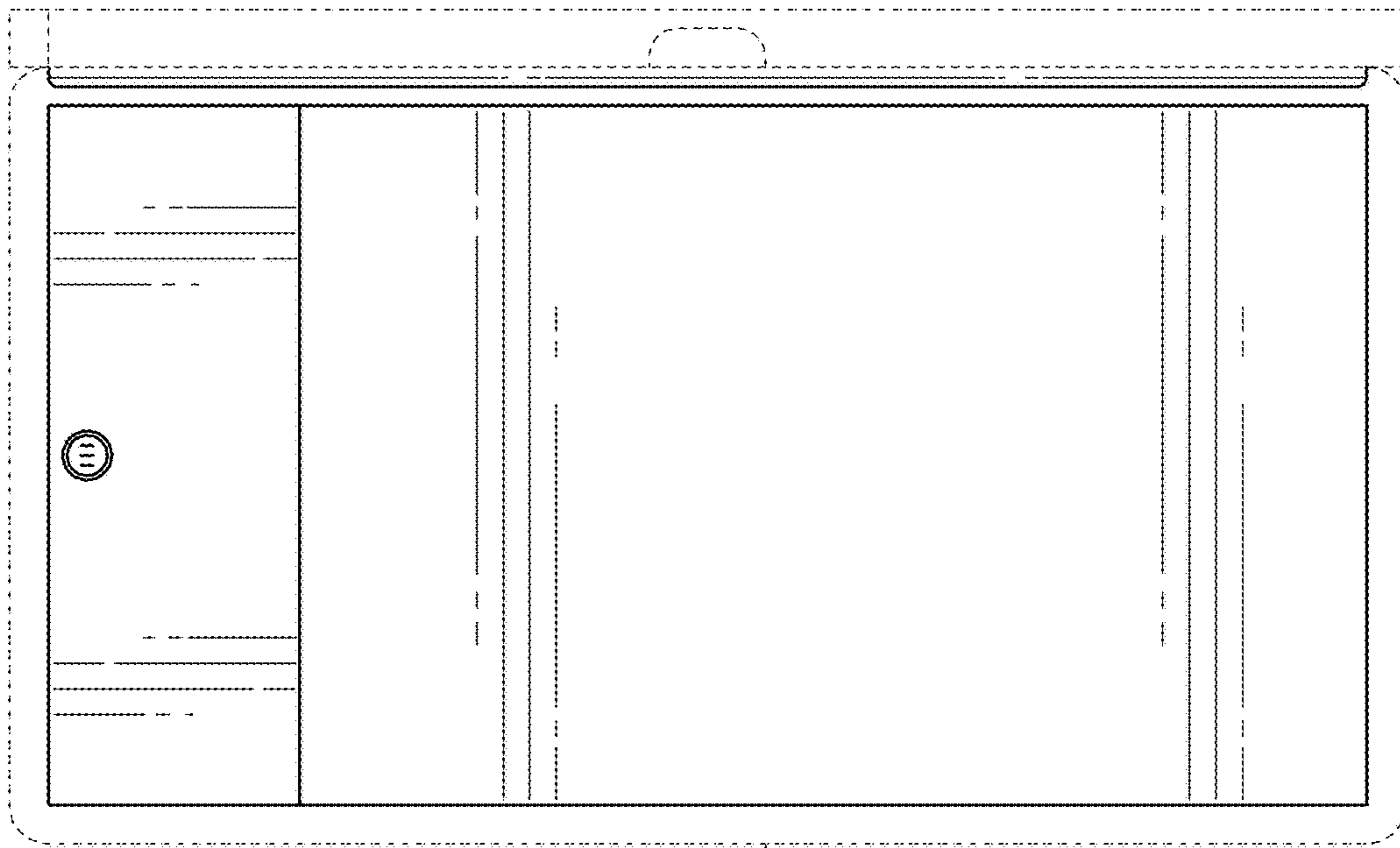


FIG. 7