



US00D795017S

(12) **United States Design Patent**
Freeman

(10) **Patent No.:** **US D795,017 S**
(45) **Date of Patent:** **** Aug. 22, 2017**

(54) **FOOD SERVICE BOWL**

DESCRIPTION

- (71) Applicant: **CAMBRO MANUFACTURING COMPANY**, Huntington Beach, CA (US)
- (72) Inventor: **Ernest F. Freeman**, Rancho Santa Margarita, CA (US)
- (73) Assignee: **CAMBRO MANUFACTURING COMPANY**, Huntington Beach, CA (US)
- (**) Term: **15 Years**
- (21) Appl. No.: **29/552,920**
- (22) Filed: **Jan. 27, 2016**
- (51) **LOC (10) Cl.** **07-01**
- (52) **U.S. Cl.**
USPC **D7/584**
- (58) **Field of Classification Search**
USPC D7/584, 500, 570, 566, 565, 557, 552.2, D7/503, 538, 543, 553.6; D3/306; 217/122; 147/18; 220/23.83, 574.1, 574
CPC A47G 19/02; A47G 19/025
See application file for complete search history.

FIG. 1 is a right side perspective view of the food service bowl.
 FIG. 2 is a right side elevation view.
 FIG. 3 is a front elevation view.
 FIG. 4 is a top plan view.
 FIG. 5 is a bottom plan view.
 FIG. 6 is a right side perspective view of a first alternative embodiment of the food service bowl.
 FIG. 7 is a right side elevation view of the first alternative embodiment.
 FIG. 8 is a front elevation view of the first alternative embodiment.
 FIG. 9 is a top plan view of the first alternative embodiment.
 FIG. 10 is a bottom plan view of the first alternative embodiment.
 FIG. 11 is a right side perspective view of a second alternative embodiment of the food service bowl.
 FIG. 12 is a right side elevation view of the second alternative embodiment.
 FIG. 13 is a front elevation view of the second alternative embodiment.
 FIG. 14 is a top plan view of the second alternative embodiment.
 FIG. 15 is a bottom plan view of the second alternative embodiment.
 FIG. 16 is a right side perspective view of a third alternative embodiment of the food service bowl.
 FIG. 17 is a right side elevation view of the third alternative embodiment.
 FIG. 18 is a front elevation view of the third alternative embodiment.
 FIG. 19 is a top plan view of the third alternative embodiment; and,
 FIG. 20 is a bottom plan view of the third alternative embodiment of the food service bowl.
 The broken lines represent portions of the structure that form no part of the claim.

(56) **References Cited**

U.S. PATENT DOCUMENTS

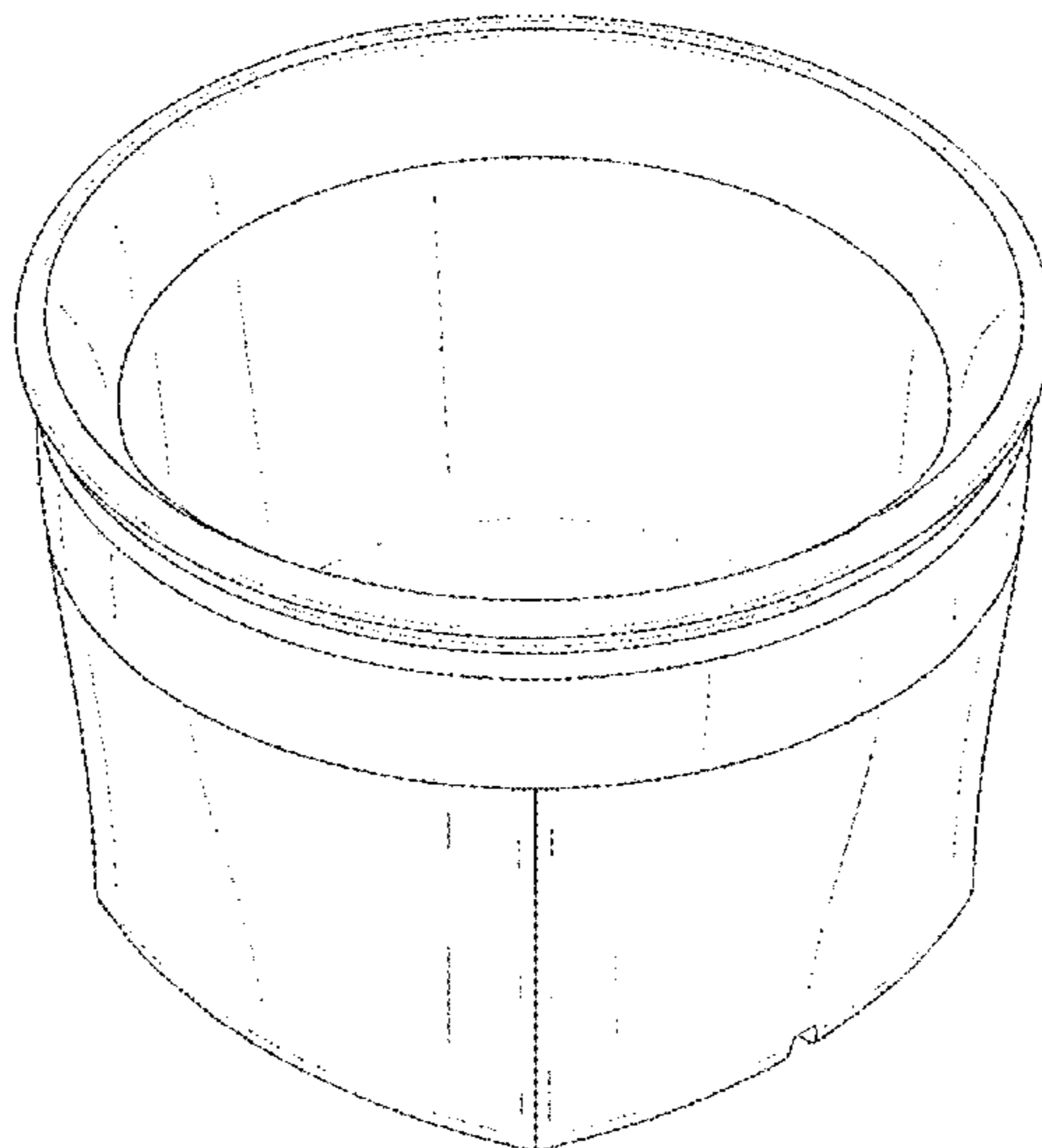
- D213,491 S * 3/1969 Beeman et al. 220/DIG. 13
 - D213,492 S * 3/1969 Beeman et al. 220/DIG. 13
 - D221,169 S * 7/1971 Benes D7/584
- (Continued)

Primary Examiner — Cynthia Underwood
(74) *Attorney, Agent, or Firm* — George F. Bethel

(57) **CLAIM**

I claim the ornamental design for an food service bowl, as shown and described.

1 Claim, 8 Drawing Sheets



(56)

References Cited

U.S. PATENT DOCUMENTS

5,172,826	A *	12/1992	Celaya	A47G 19/02 220/574
D355,735	S *	2/1995	Shaffer	D32/53
5,501,038	A *	3/1996	Gregoranto	A01G 9/124 47/47
D429,961	S	8/2000	Harris	
D485,126	S *	1/2004	Watson	D7/584
D495,928	S	9/2004	Laib	
D511,437	S *	11/2005	Brown	D7/566
D543,787	S *	6/2007	Wasserman	D7/565
D549,040	S *	8/2007	Henry	D7/354
D632,135	S	2/2011	Green Cotton	
D635,399	S *	4/2011	DelVecchio	D7/509
D667,151	S	9/2012	Arslanian	
D669,313	S *	10/2012	Paladino	D7/602
D688,941	S	9/2013	Sifuentes	
D699,078	S *	2/2014	Katterheinrich	D7/587
8,881,936	B2	11/2014	Crosby	
D724,897	S *	3/2015	Gieske	D7/523
D738,159	S *	9/2015	Cheng	D7/354
D739,295	S *	9/2015	Thuma	D11/152
D742,697	S *	11/2015	Switz	D7/557
D749,365	S *	2/2016	Hume	D7/509
D750,436	S *	3/2016	Hopkins	D7/523
D761,061	S *	7/2016	McConnell	D7/587
D765,471	S *	9/2016	Gorbold	D7/509
9,474,397	B2 *	10/2016	Minnette	A47G 19/02
D770,231	S *	11/2016	Hume	D7/523
D770,233	S *	11/2016	Raphael	D7/584
2014/0025508	A1 *	1/2014	Bartosch	B65D 25/04 705/14.69

* cited by examiner

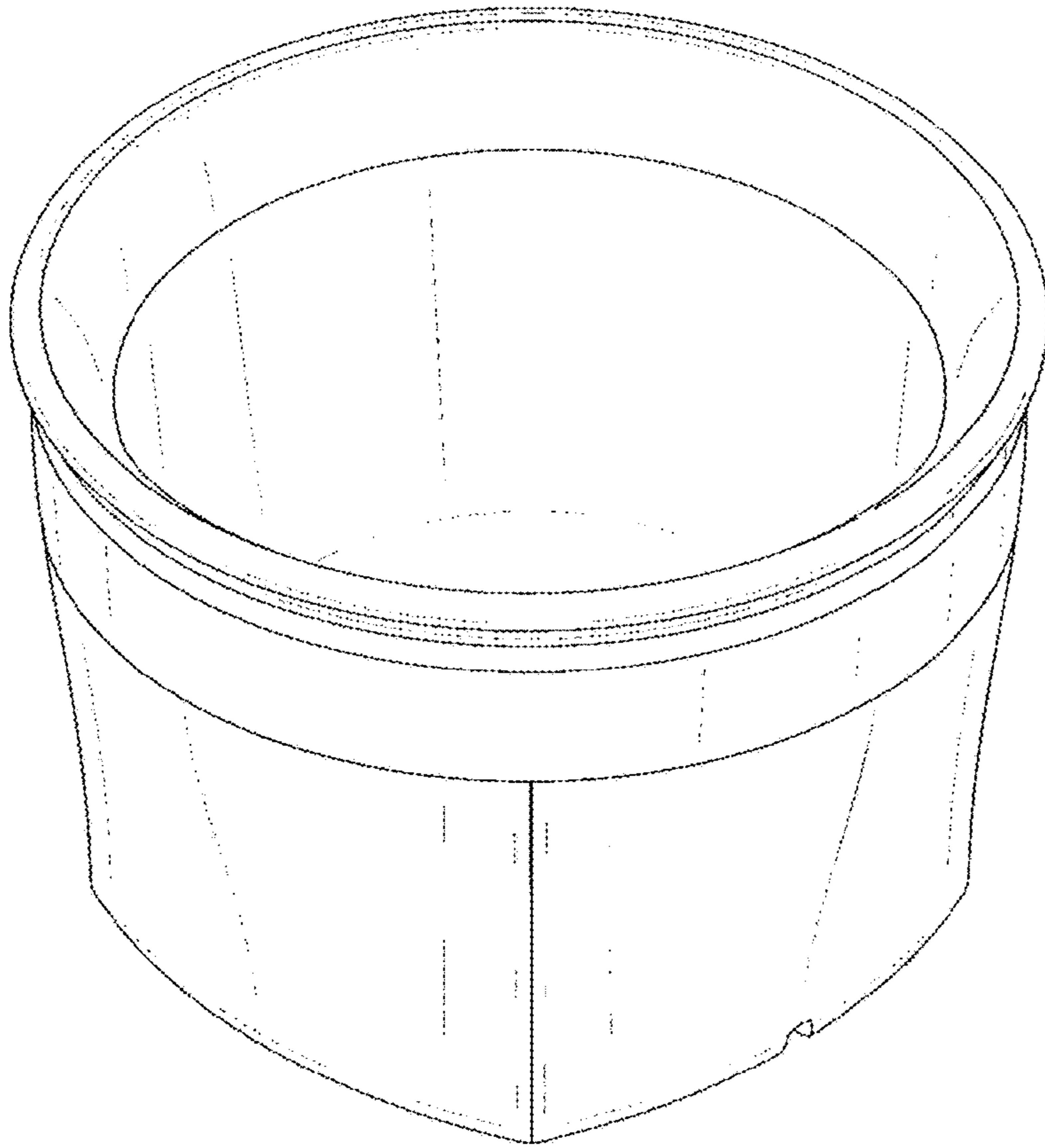


FIG. 1

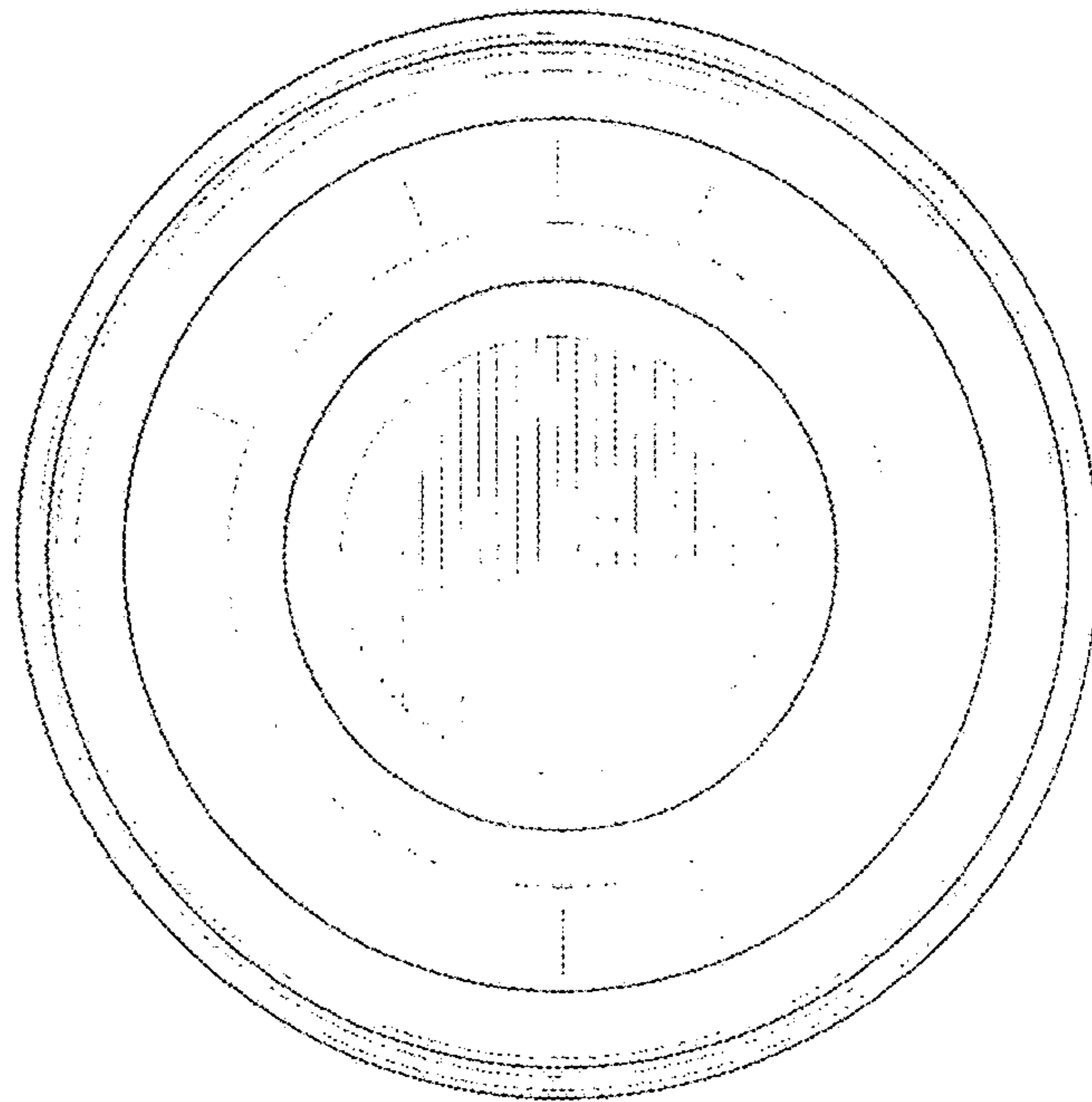


FIG. 4

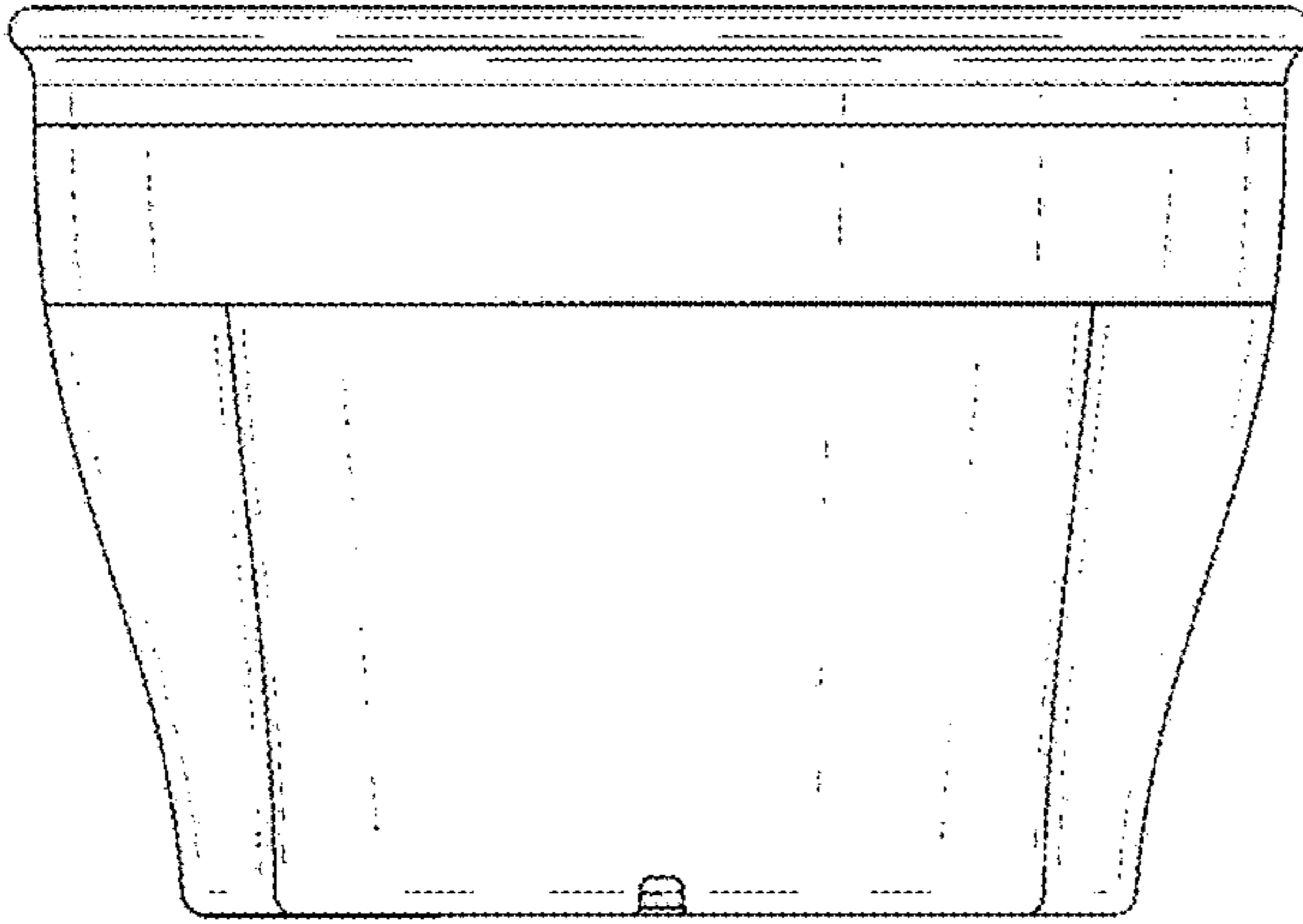


FIG. 2

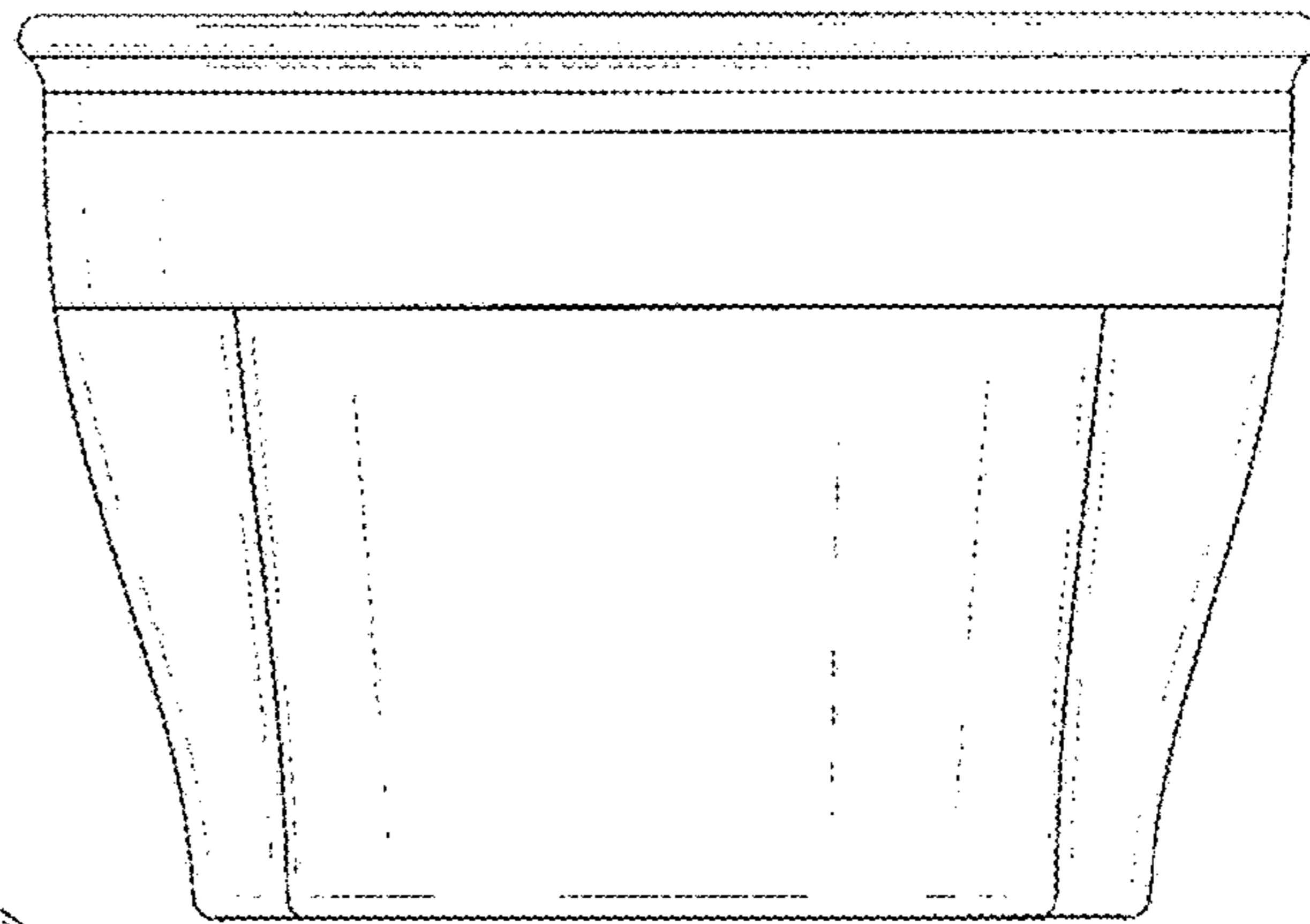


FIG. 3

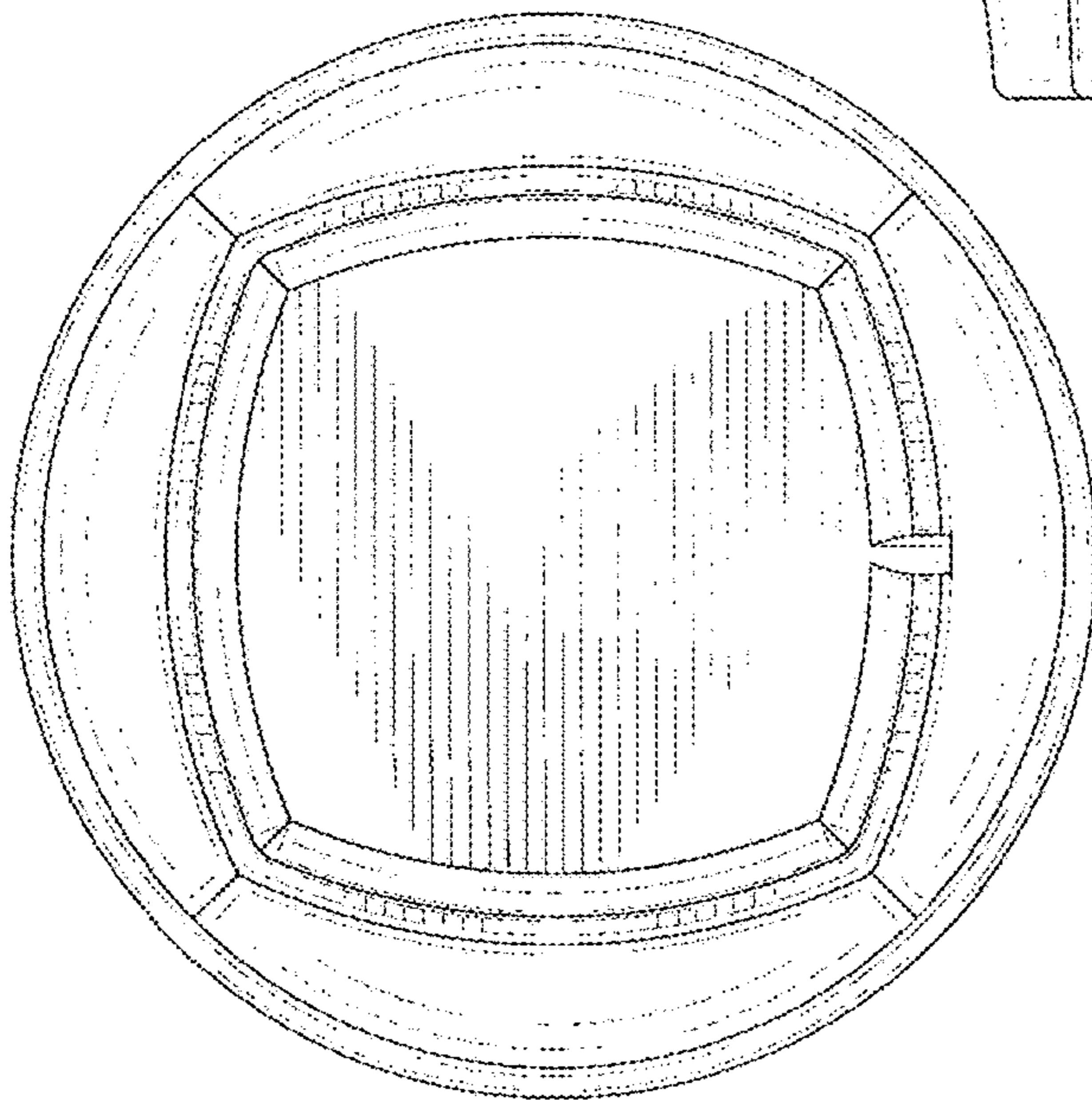


FIG. 5

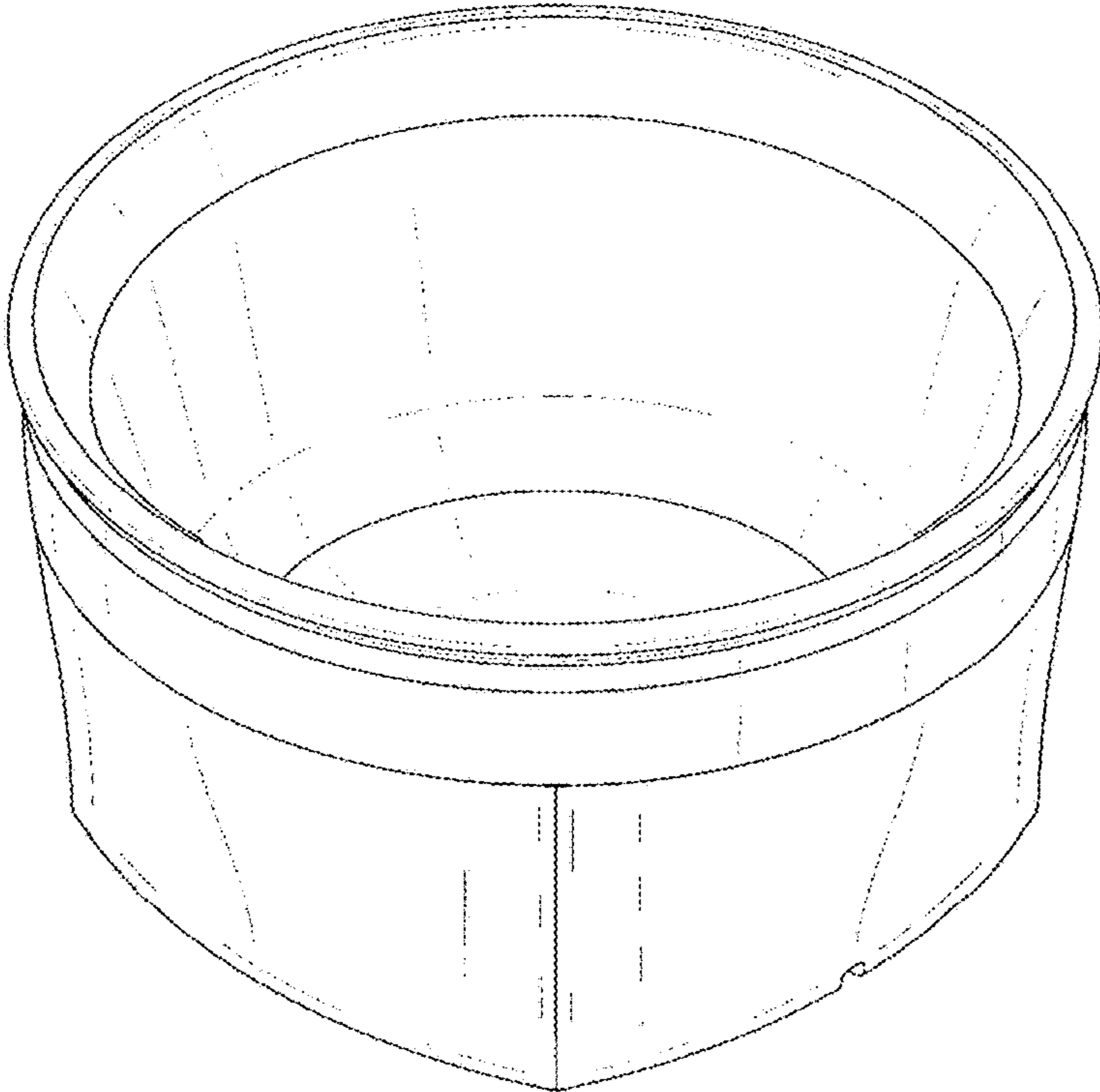


FIG. 6

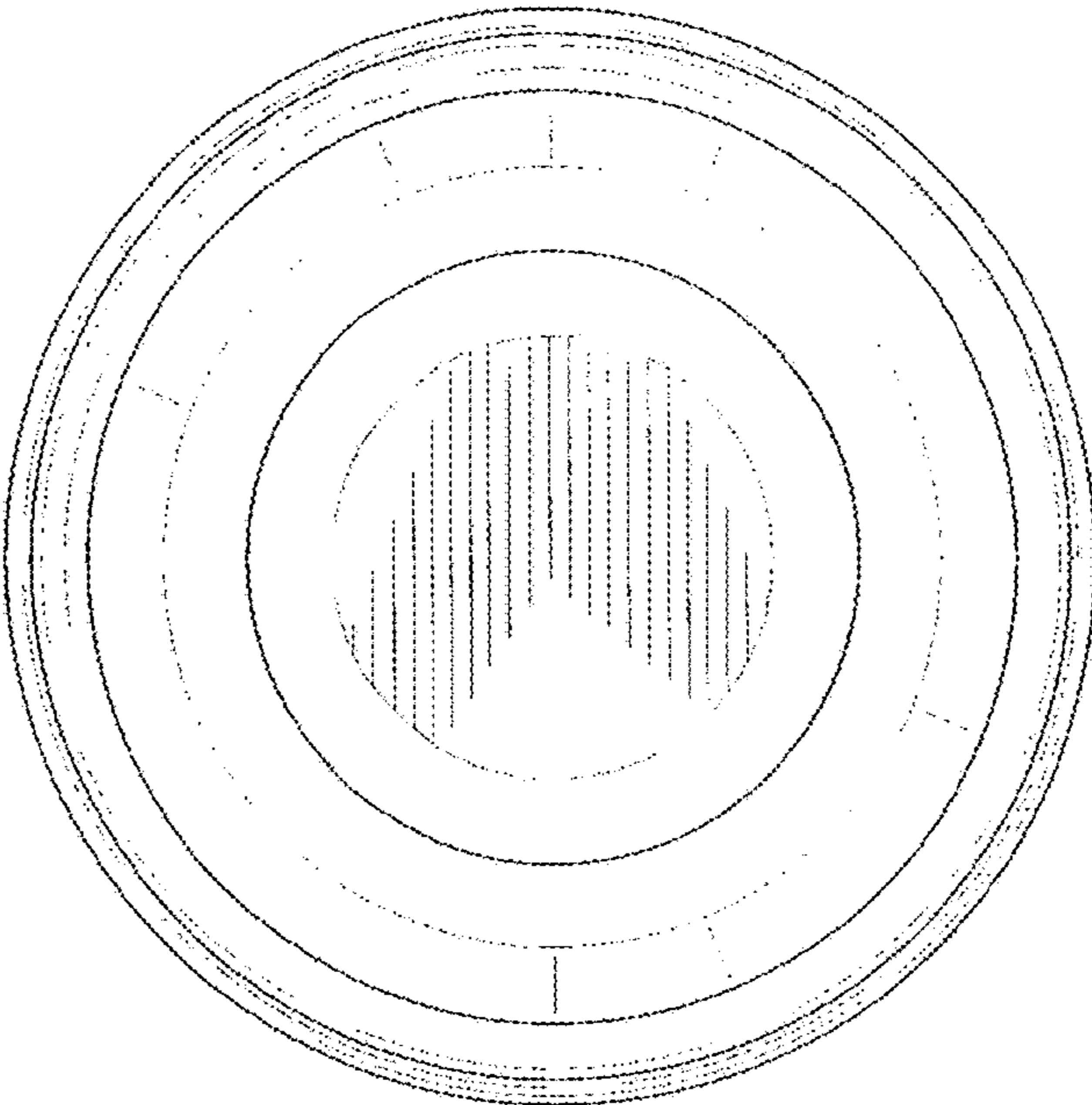


FIG. 9

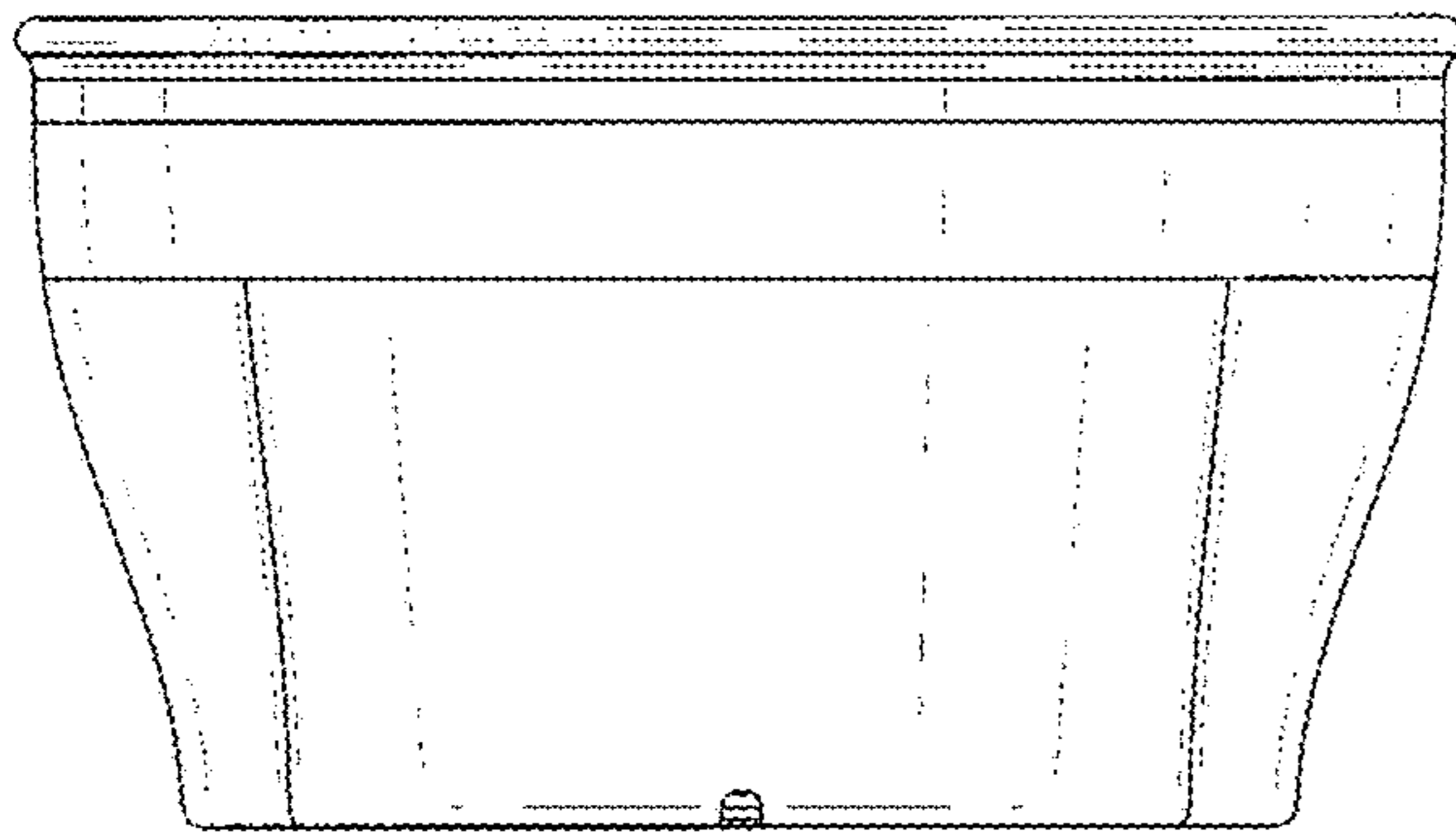


FIG. 7

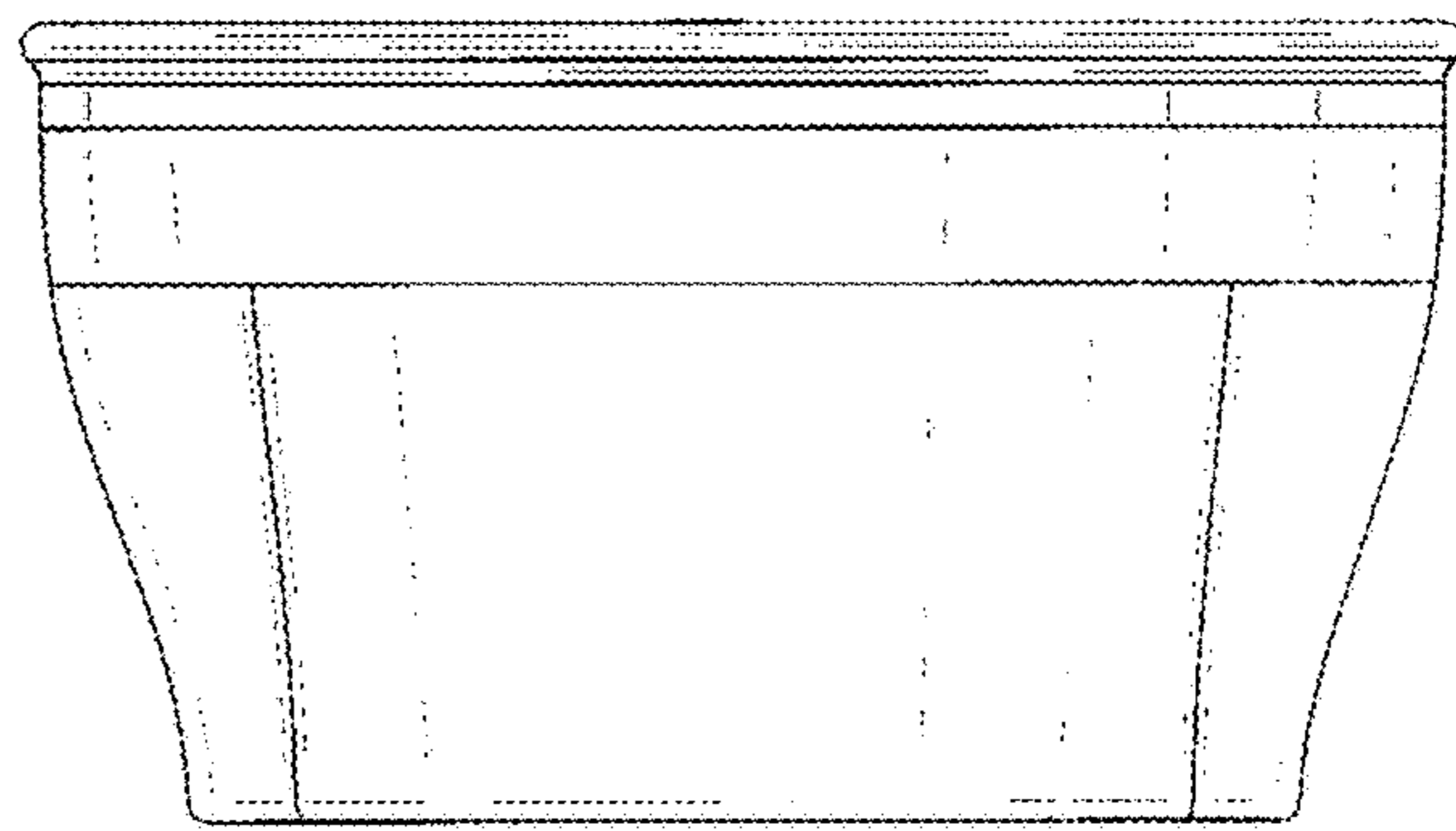


FIG. 8

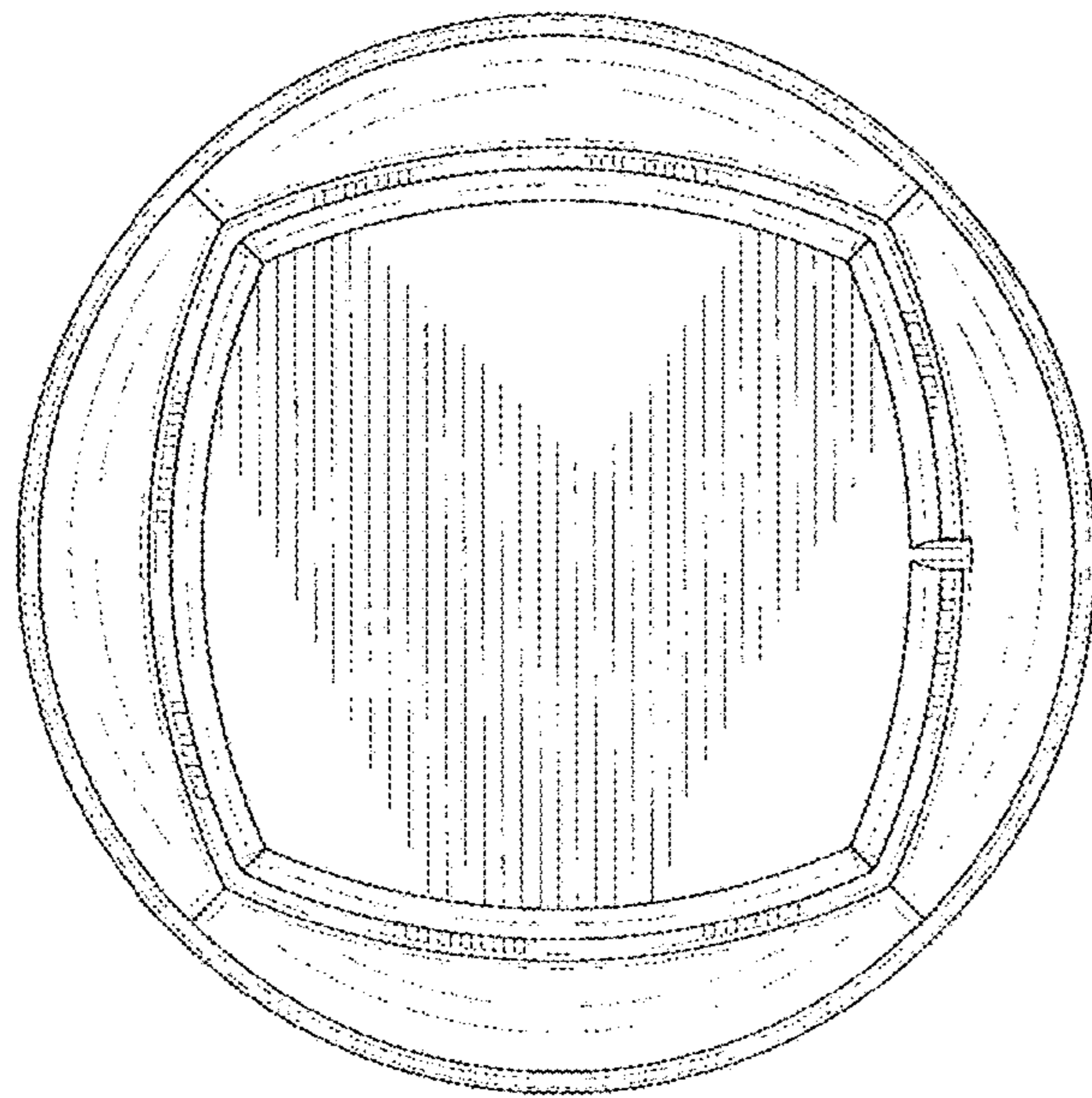


FIG. 10

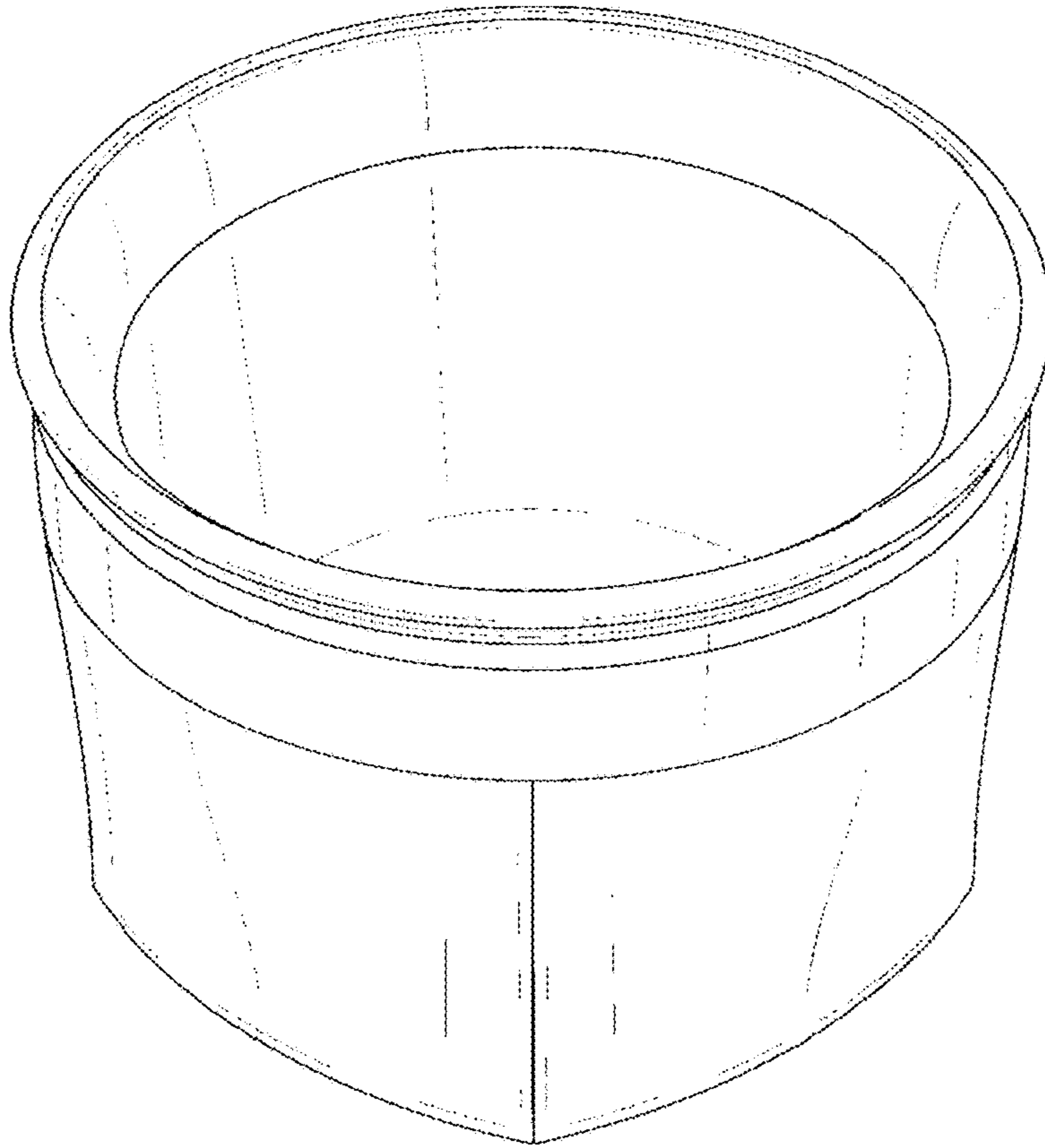


FIG. 11

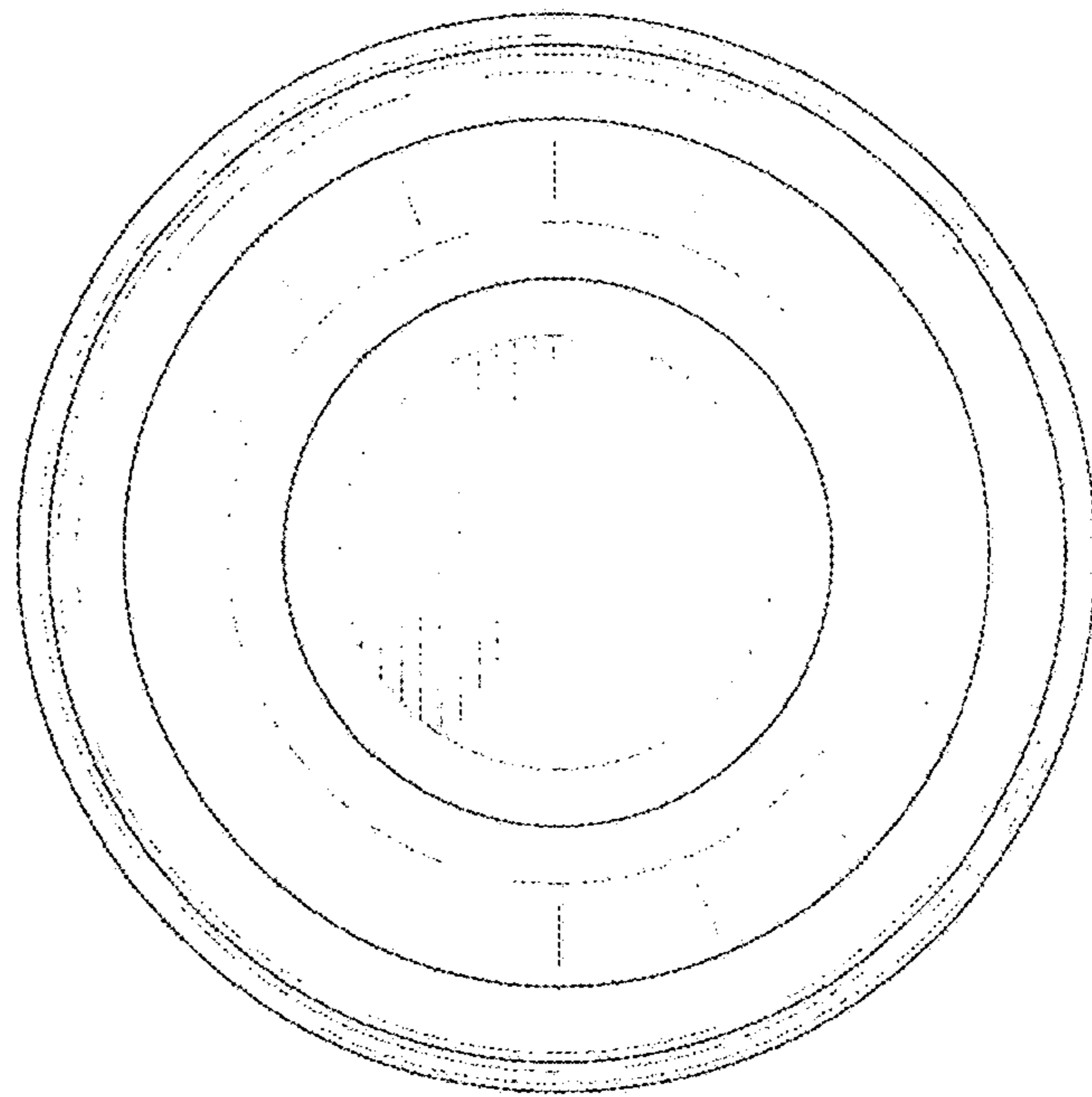


FIG. 14

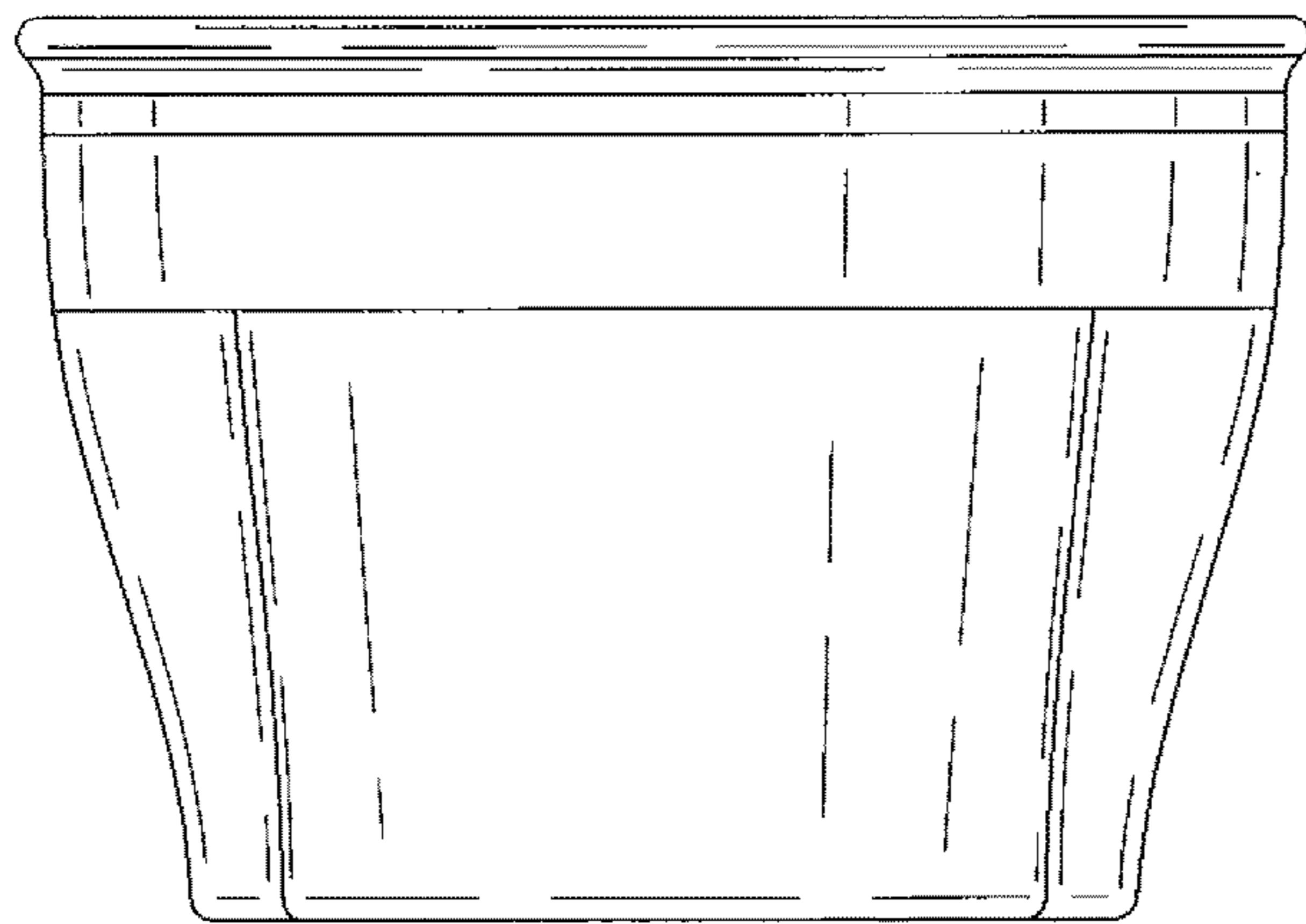


FIG. 12

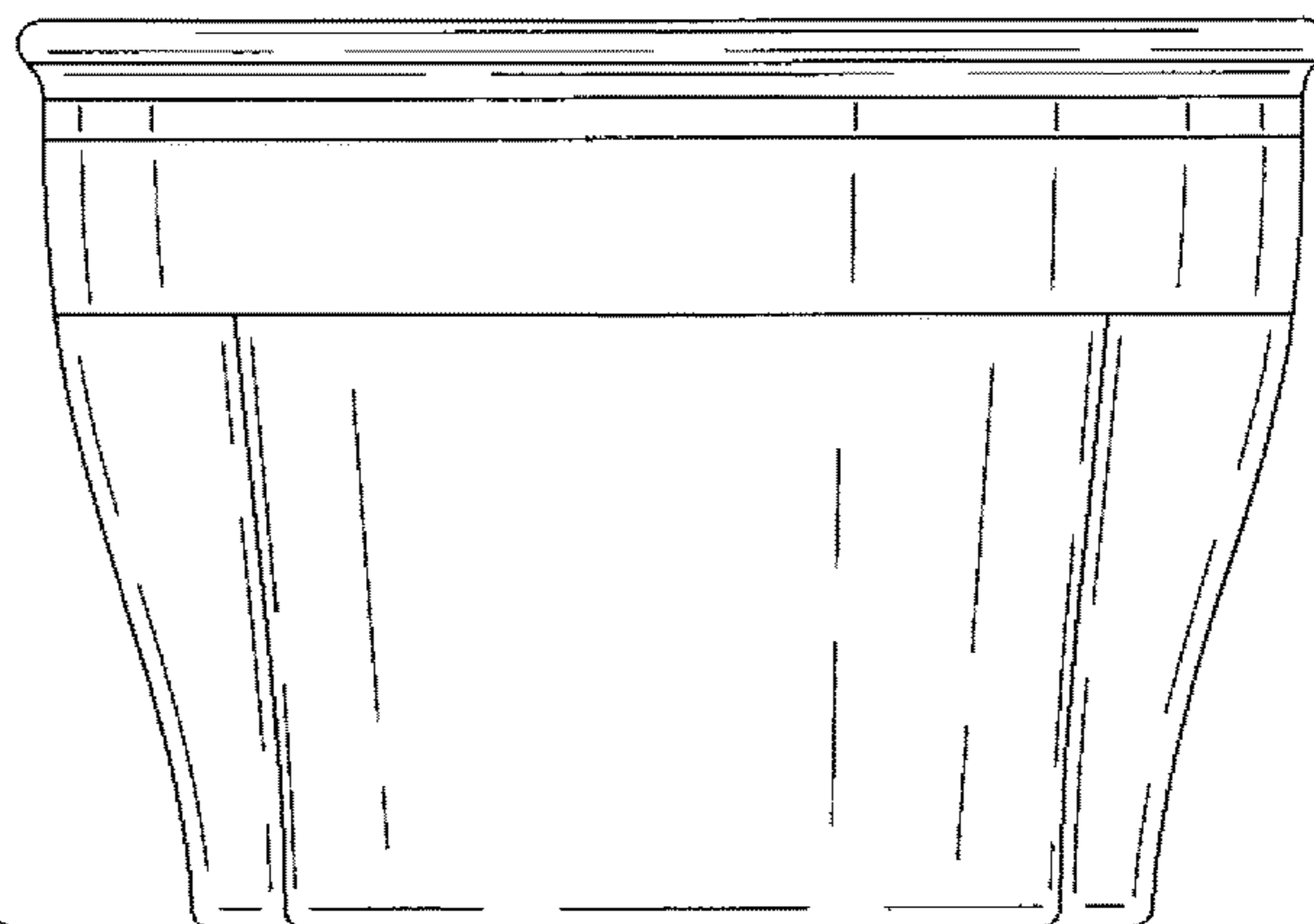


FIG. 13

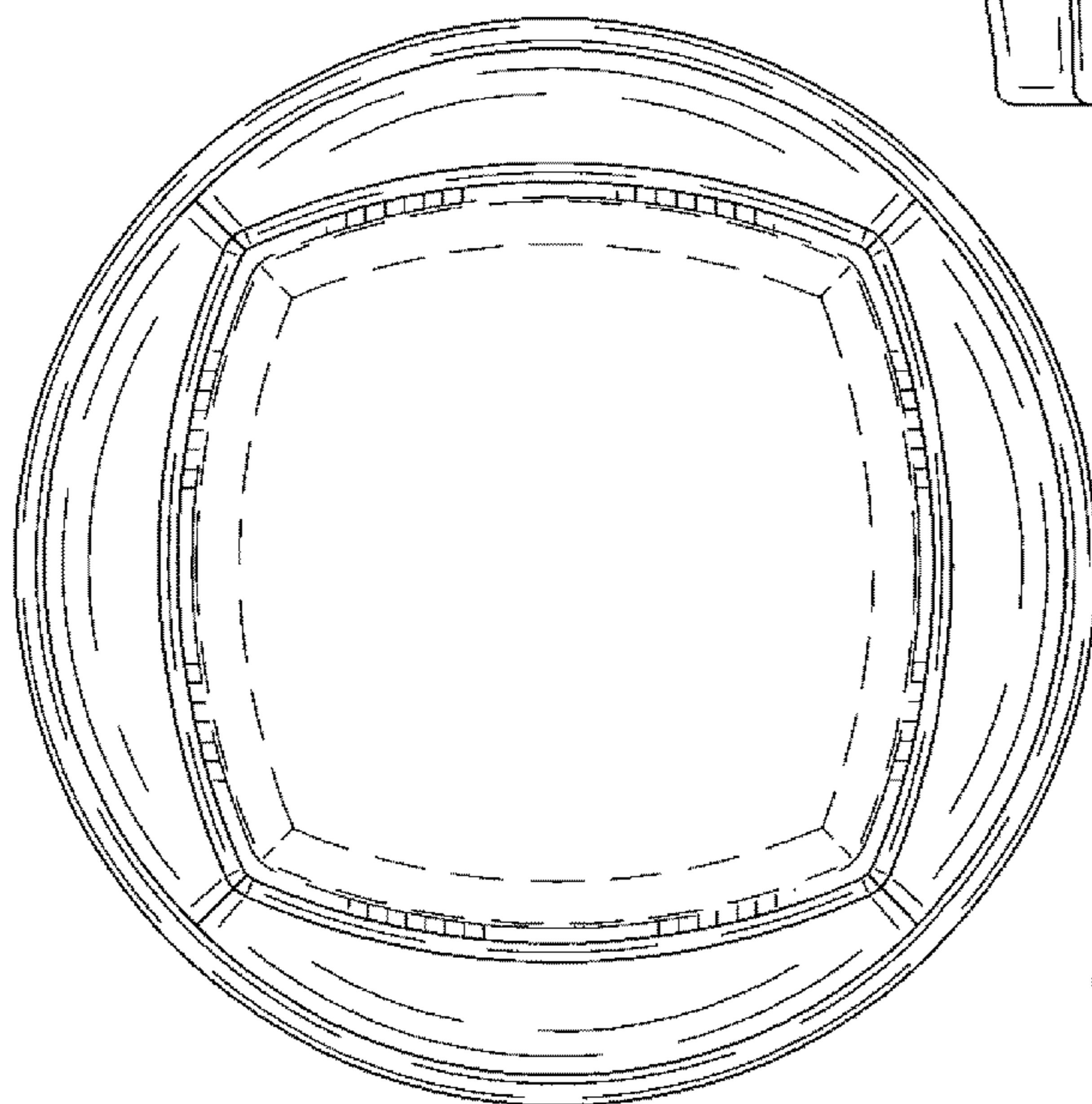


FIG. 15

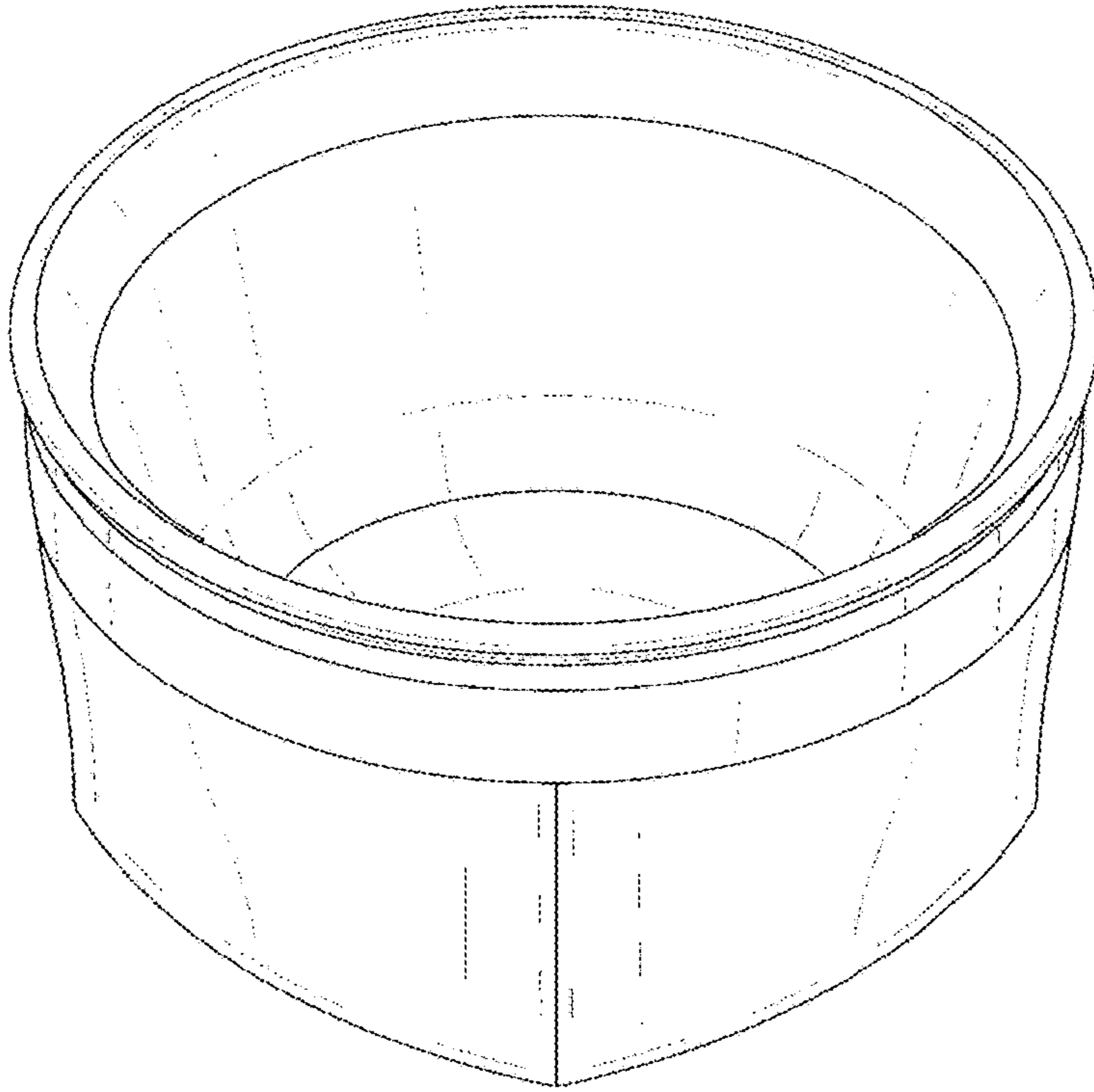


FIG. 16

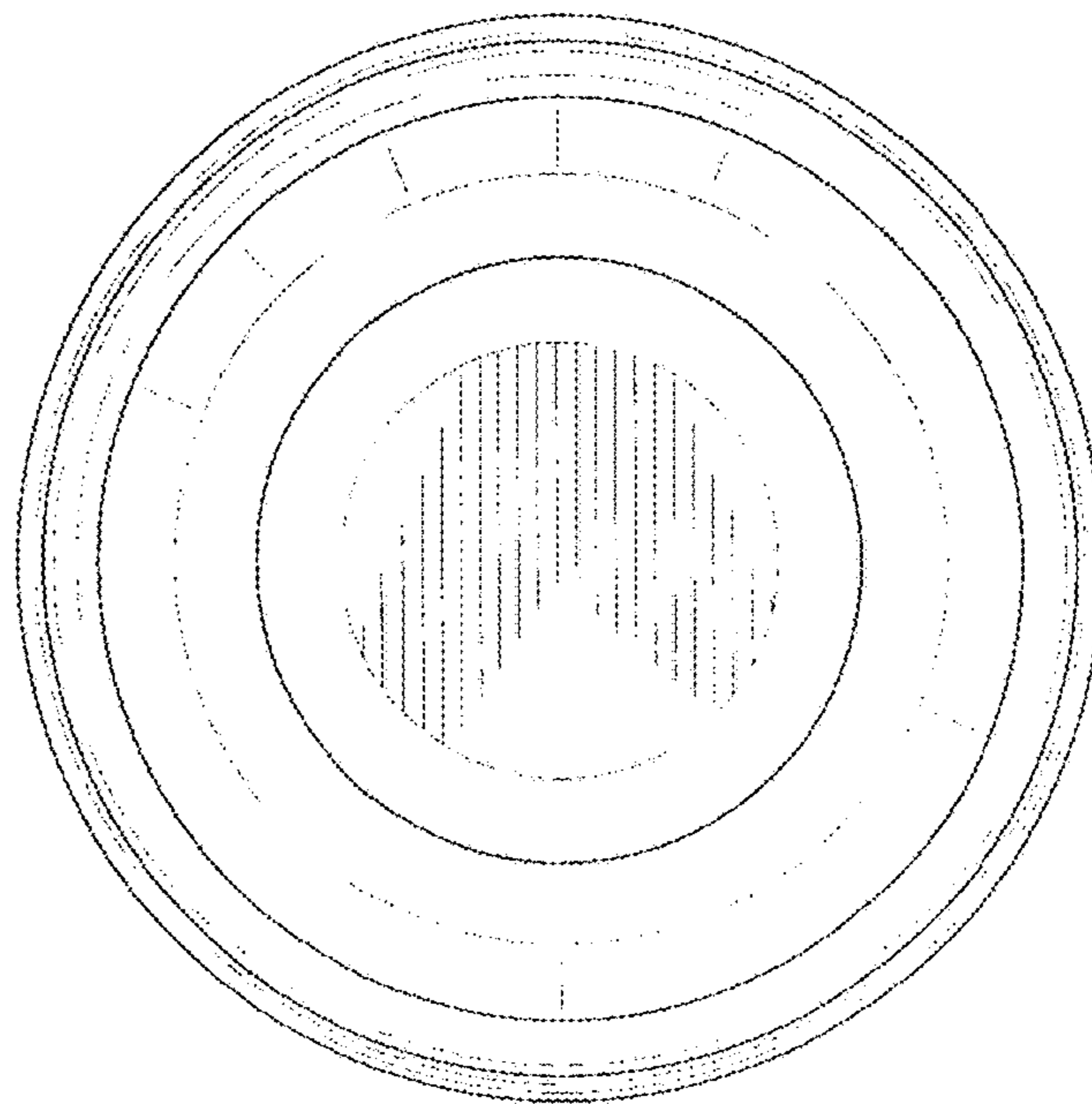


FIG. 19

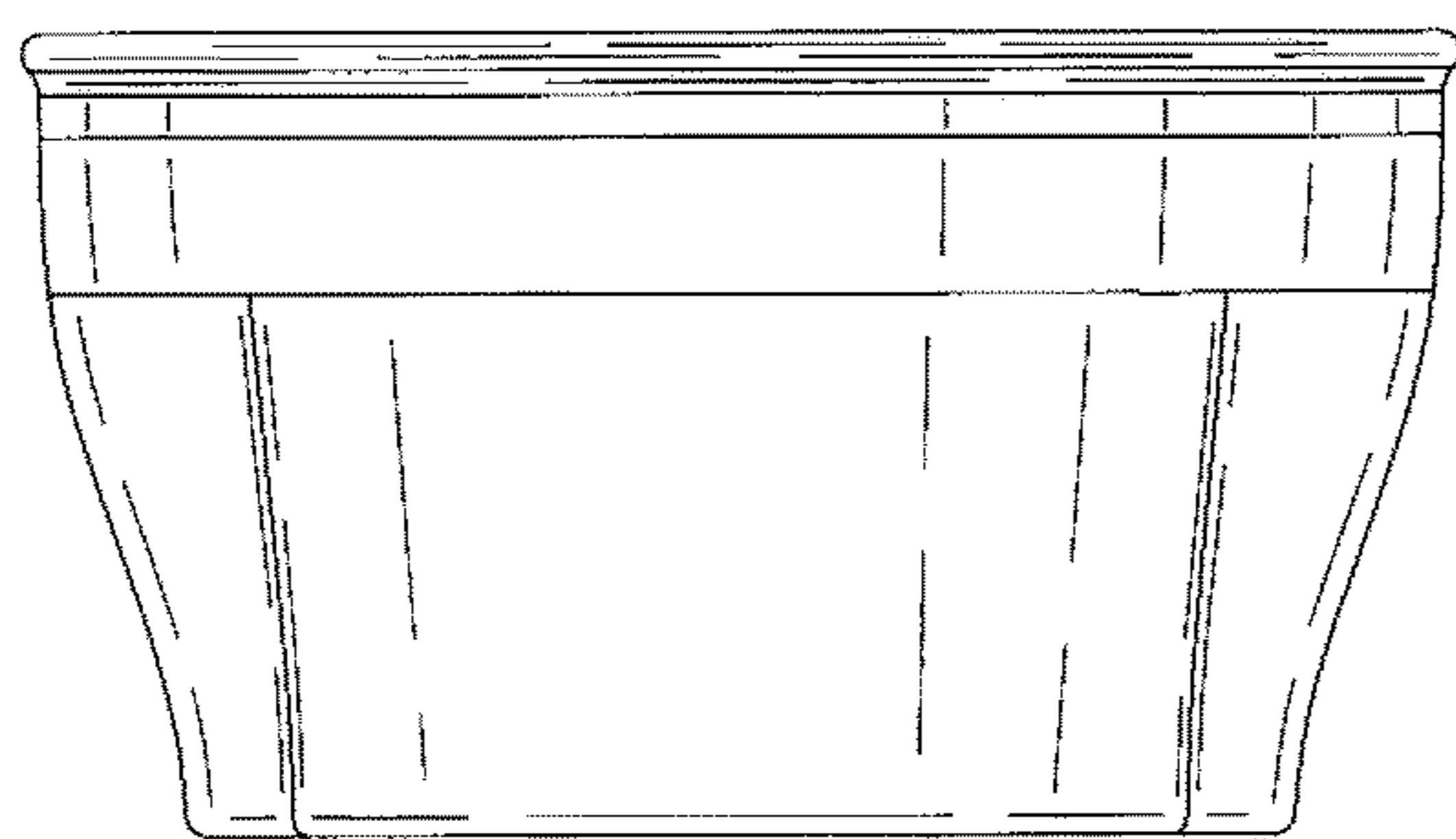


FIG. 17

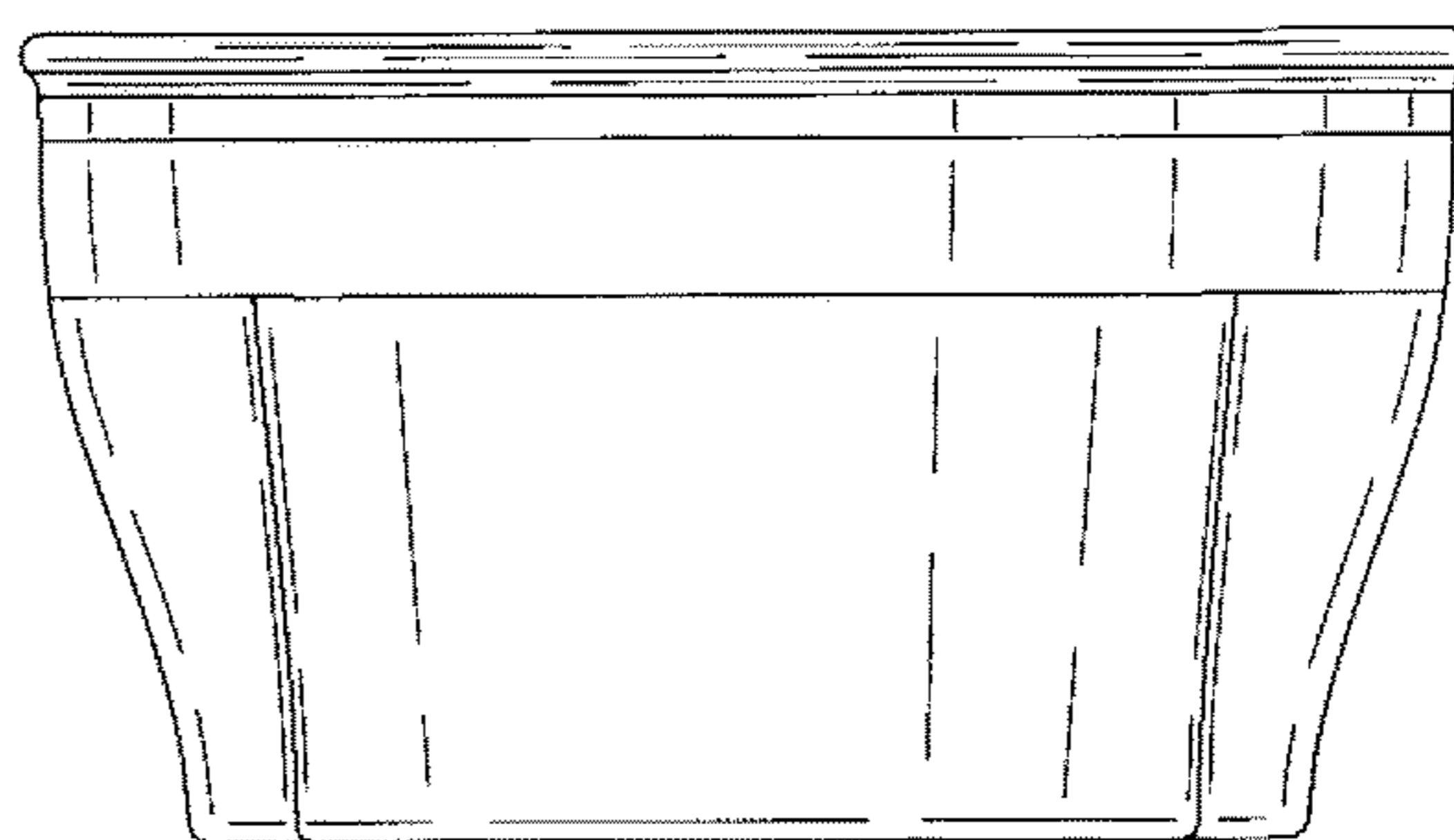


FIG. 18

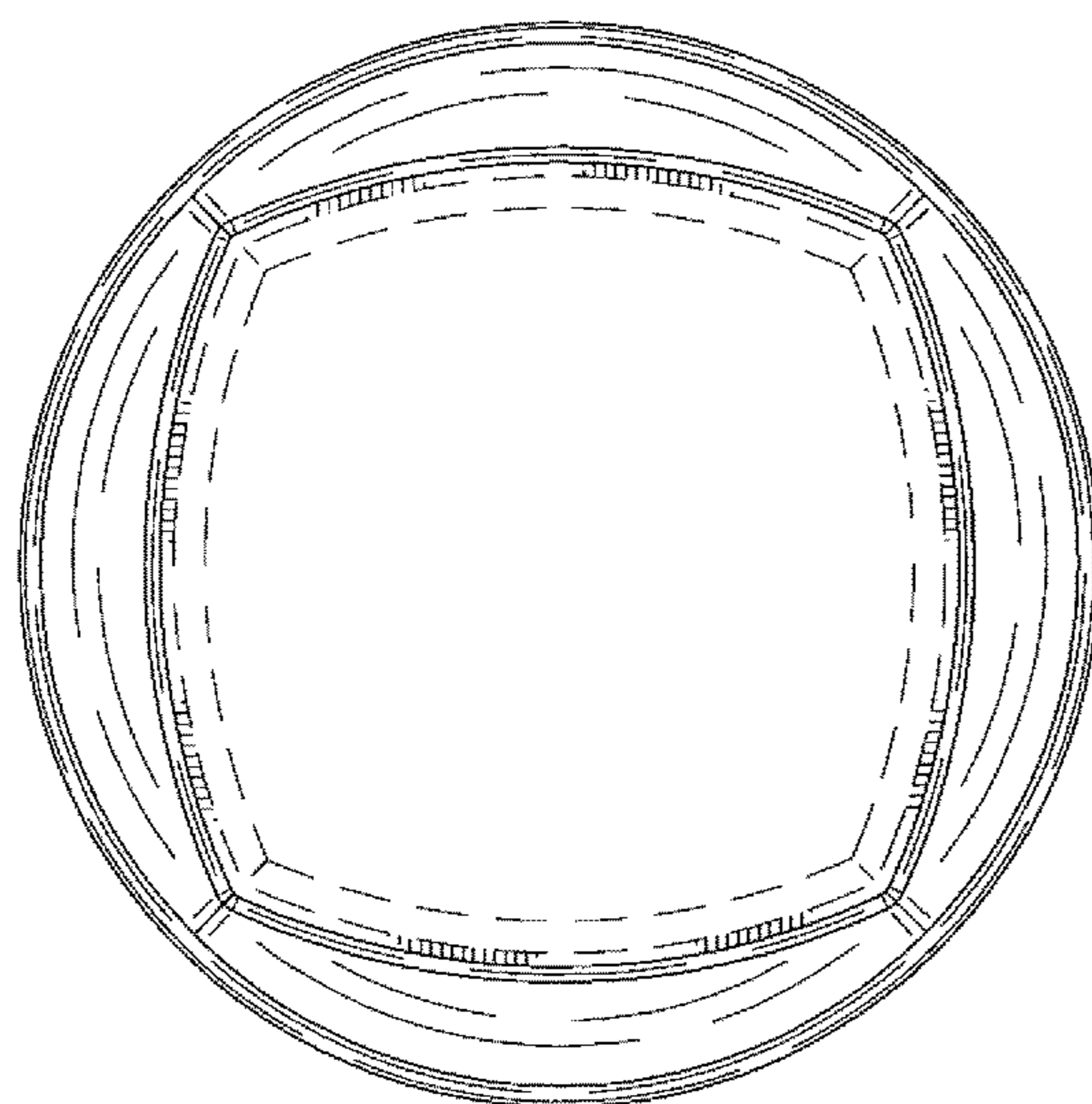


FIG. 20