



US00D795016S

(12) **United States Design Patent**  
**Crawford**

(10) **Patent No.:** **US D795,016 S**

(45) **Date of Patent:** **\*\* Aug. 22, 2017**

(54) **CUP-HOLDER PLATE**

(71) Applicant: **Kim Crawford**, Cordova, TN (US)

(72) Inventor: **Kim Crawford**, Cordova, TN (US)

(\*\*) Term: **15 Years**

(21) Appl. No.: **29/572,088**

(22) Filed: **Jul. 25, 2016**

(51) **LOC (10) Cl.** ..... **07-01**

(52) **U.S. Cl.**  
USPC ..... **D7/553.8**

(58) **Field of Classification Search**  
USPC ..... D7/500, 550.1, 553.1, 553.6, 553.8, 549,  
D7/554.2, 396.1, 601, 602; D9/737, 751,  
D9/755

CPC ..... A47G 19/00; A47G 19/02; A47G 19/06;  
A47G 23/06; A47G 23/0608; A47G  
23/00; B65D 1/36; B65D 81/00

See application file for complete search history.

(56) **References Cited**

**U.S. PATENT DOCUMENTS**

2,438,434	A	3/1948	Friedman	
3,362,604	A	1/1968	Lagostina	
3,955,672	A	5/1976	Brundage	
4,219,144	A *	8/1980	Hagelberg	..... A47G 19/065 206/563
D298,296	S	11/1988	Washburn et al.	
5,111,960	A *	5/1992	Zilliox	..... A47G 19/23 220/23.4
5,184,750	A *	2/1993	Moller	..... A47G 19/06 206/562
5,294,000	A *	3/1994	Yanuzzi	..... A47G 19/065 206/519
D353,742	S *	12/1994	Lewis	..... D7/549
5,390,798	A *	2/1995	Yanuzzi	..... A47G 19/065 206/519
5,497,885	A *	3/1996	Sussman	..... A47G 23/0608 206/217

D376,297	S	12/1996	Jacobson	
D404,218	S *	1/1999	Sussman	..... D6/406.5
D426,110	S *	6/2000	Schmidt	..... D7/549
D442,830	S *	5/2001	Raucci	..... D7/553.5
7,032,772	B2 *	4/2006	McCaslin	..... A47G 19/06 220/574
D527,953	S *	9/2006	Le Gal	..... D7/552.1
D547,126	S *	7/2007	Levine	..... D7/549
D572,536	S *	7/2008	Cox	..... D7/507
D573,407	S *	7/2008	Cox	..... D7/507
D573,940	S *	7/2008	Heneghan	..... D12/425
D652,323	S *	1/2012	Clark	..... D9/425

(Continued)

**OTHER PUBLICATIONS**

BioMass Packaging BagasseWare, Party Green, Wheat-straw Pulp Plates—GMO Free 1.25" Plate with Cup Holder, Aug. 26, 2014.

*Primary Examiner* — Kelley Donnelly

(74) *Attorney, Agent, or Firm* — Nathan J. Bailey; Waller Lansden Dortch & Davis, LLP

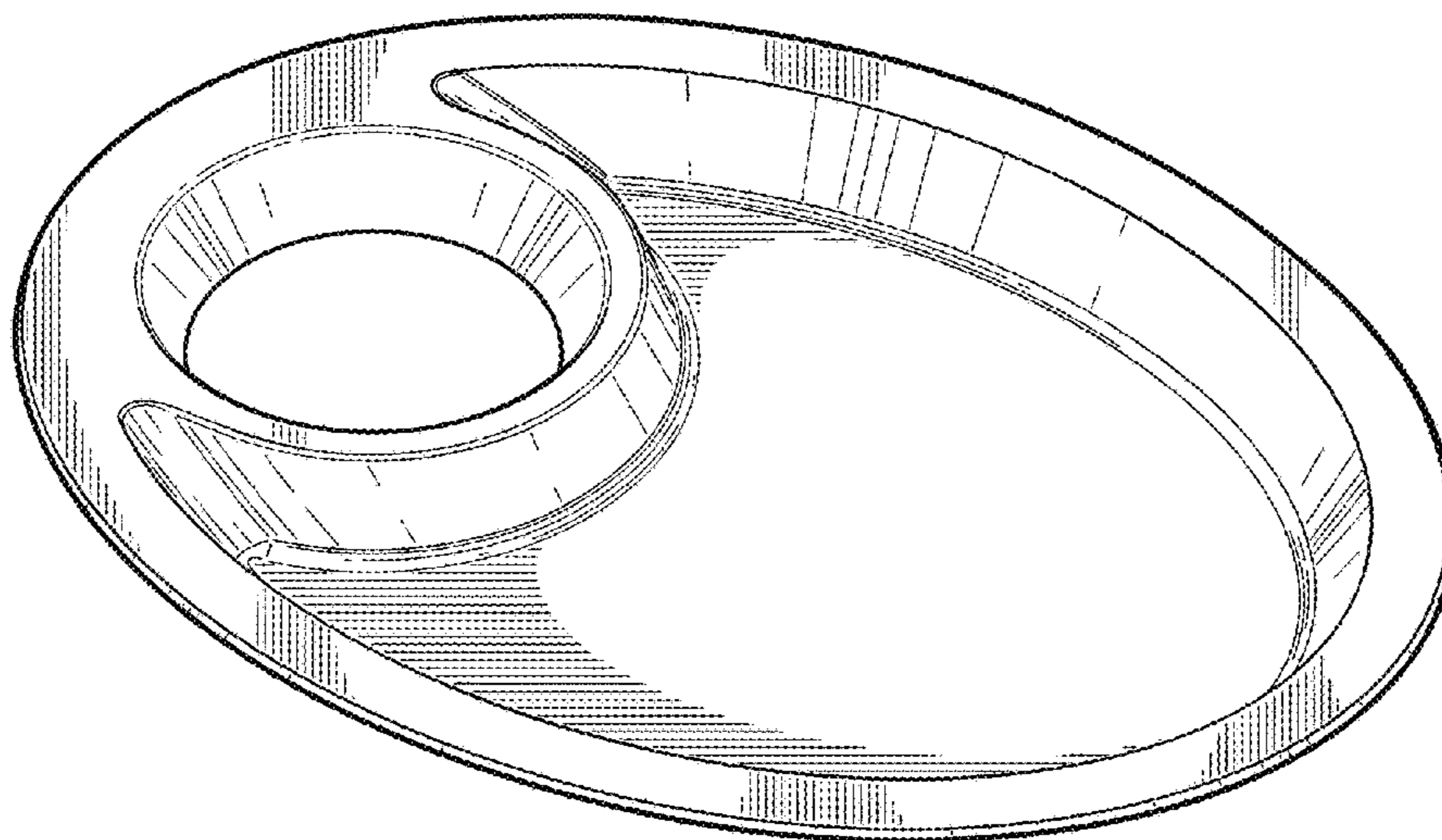
(57) **CLAIM**

The ornamental design for a cup-holder plate, as shown and described.

**DESCRIPTION**

FIG. 1 is an perspective view of the cup-holder plate in accordance with an embodiment of the present invention; FIG. 2 is a top view of the cup-holder plate of FIG. 1; FIG. 3 is a bottom view of the cup-holder plate of FIG. 1; FIG. 4 is a front elevation view of the cup-holder plate of FIG. 1; FIG. 5 is a back elevation view of the cup-holder plate of FIG. 1; FIG. 6 is a right side elevation view of the cup-holder plate of FIG. 1; and, FIG. 7 is a left side elevation view of the cup-holder plate of FIG. 1.

**1 Claim, 3 Drawing Sheets**



(56)

**References Cited**

U.S. PATENT DOCUMENTS

D712,204 S *	9/2014	Hatcher .....	D7/553.5
D730,124 S *	5/2015	Tollen .....	D7/552.1
D749,908 S *	2/2016	Cai .....	D7/543
2006/0266748 A1	11/2006	Crawford	
2010/0183775 A1 *	7/2010	Cudnohoske .....	B65D 1/36 426/110

\* cited by examiner

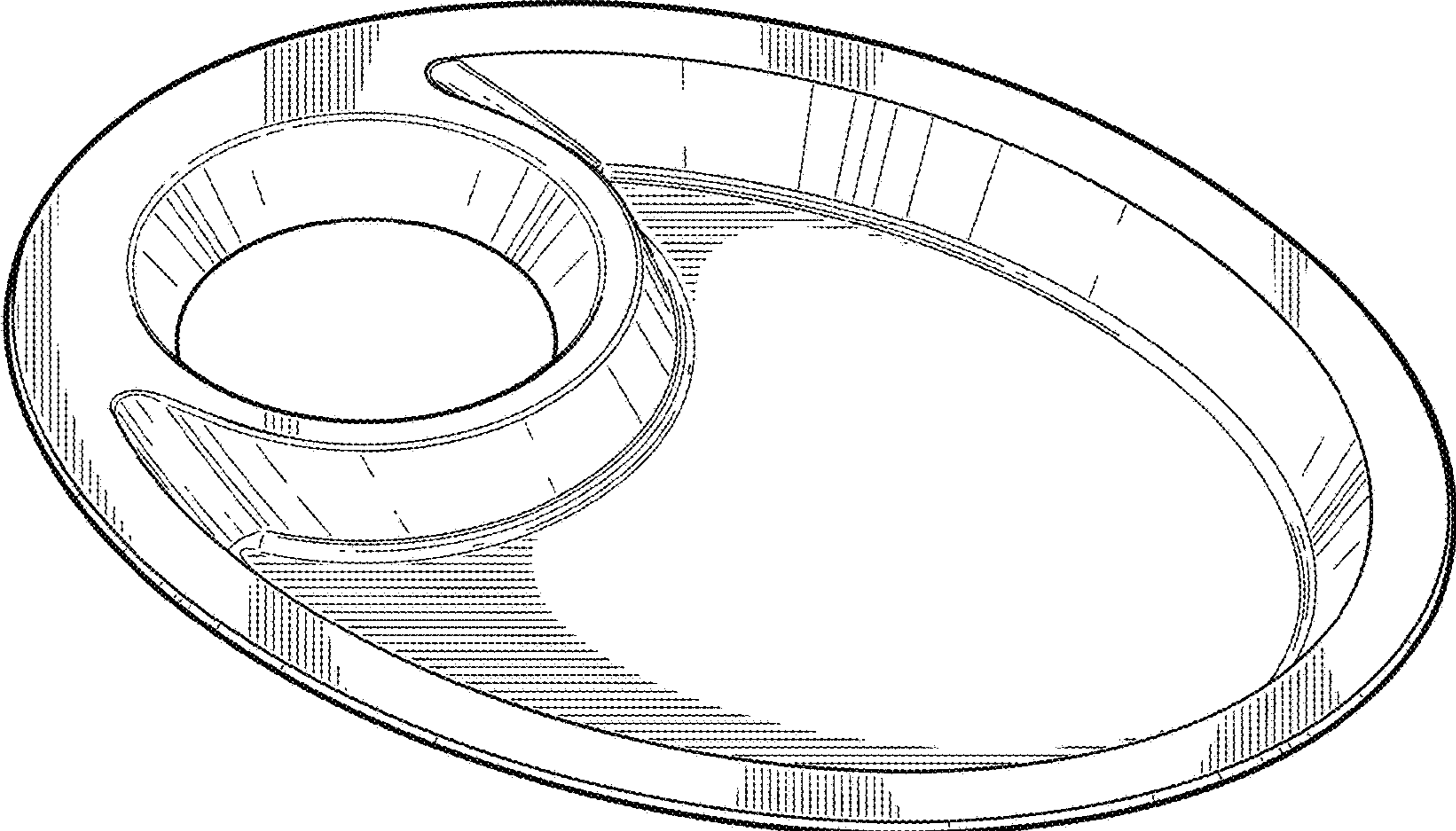


FIG. 1

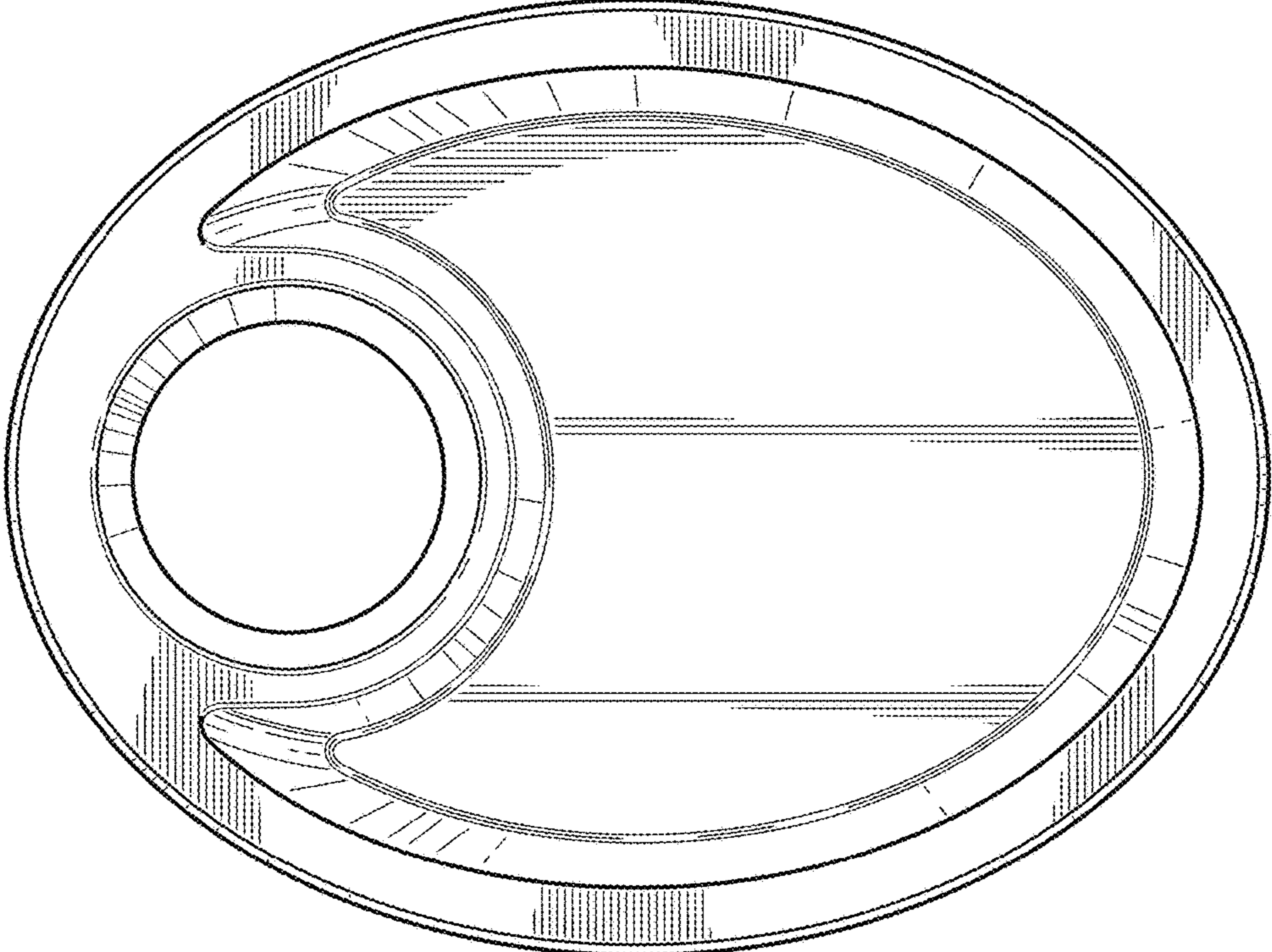


FIG. 2

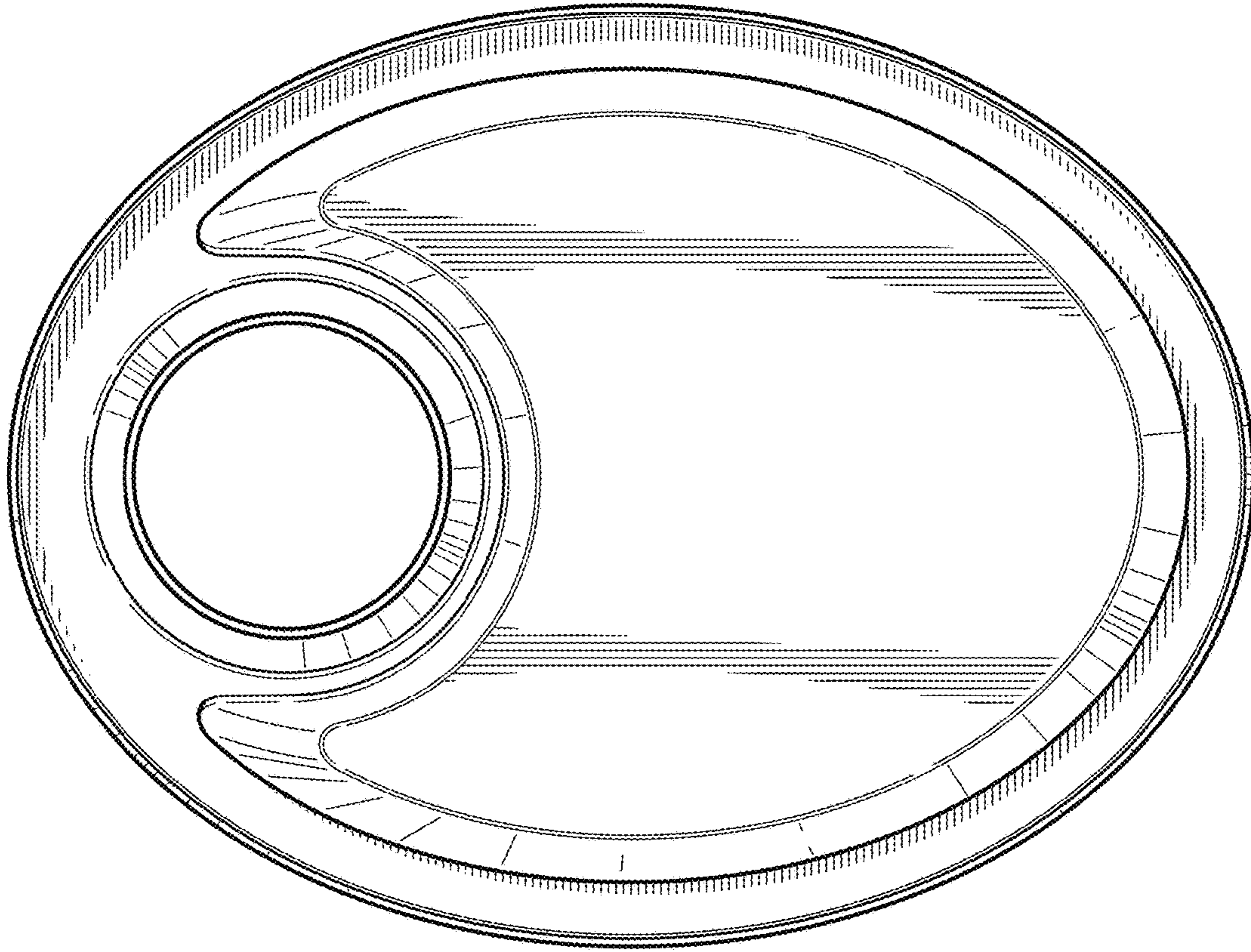


FIG. 3



FIG. 4



FIG. 5



**FIG. 6**



**FIG. 7**