



US00D795015S

(12) **United States Design Patent** (10) **Patent No.:** **US D795,015 S**
Segal (45) **Date of Patent:** **** Aug. 22, 2017**

(54) **FOOD CONTAINER INCLUDING BASE AND LID**

(71) Applicant: **Alexander Segal**, Richmond Hill (CA)

(72) Inventor: **Alexander Segal**, Richmond Hill (CA)

(73) Assignee: **Alexander Segal**, Richmond Hill, ON (CA)

(**) Term: **15 Years**

(21) Appl. No.: **29/557,163**

(22) Filed: **Mar. 7, 2016**

(51) **LOC (10) Cl.** **07-01**

(52) **U.S. Cl.**
USPC **D7/542**

(58) **Field of Classification Search**
USPC D7/549, 543, 538, 505, 542
(Continued)

(56) **References Cited**

U.S. PATENT DOCUMENTS

D319,165 S * 8/1991 Gecchelin D7/542
D350,880 S * 9/1994 VanValkenburg D7/542

(Continued)

Primary Examiner — Cynthia Underwood

(74) *Attorney, Agent, or Firm* — Millman IP Inc

(57) **CLAIM**

The ornamental design for a food container including base and lid, as shown and described.

DESCRIPTION

FIG. 1 is a top perspective view showing my new design for a food container including base and lid.

FIG. 2 is a top perspective view of the food container including base and lid shown in FIG. 1, with the lid separated from the base.

FIG. 3 is bottom perspective view of the food container including base and lid shown in FIG. 1, with the lid separated from the base.

FIG. 4 is a side view of the food container including base and lid shown in FIG. 1.

FIG. 5 is a side view of the food container including base and lid shown in FIG. 1, with the lid separated from the base.

FIG. 6 is an end view of the food container including base and lid shown in FIG. 1.

FIG. 7 is an end view of the food container including base and lid shown in FIG. 1, with the lid separated from the base.

FIG. 8 is a top view of the food container including base and lid shown in FIG. 1.

FIG. 9 is a bottom view of the food container including base and lid shown in FIG. 1.

FIG. 10 is a top perspective view of a second embodiment of my new design for a food container including base and lid.

FIG. 11 is a top perspective view of the food container including base and lid shown in FIG. 10, with the lid separated from the base.

FIG. 12 is bottom perspective view of the food container including base and lid shown in FIG. 10, with the lid separated from the base.

FIG. 13 is a side view of the food container including base and lid shown in FIG. 10.

FIG. 14 is a side view of the food container including base and lid shown in FIG. 10, with the lid separated from the base.

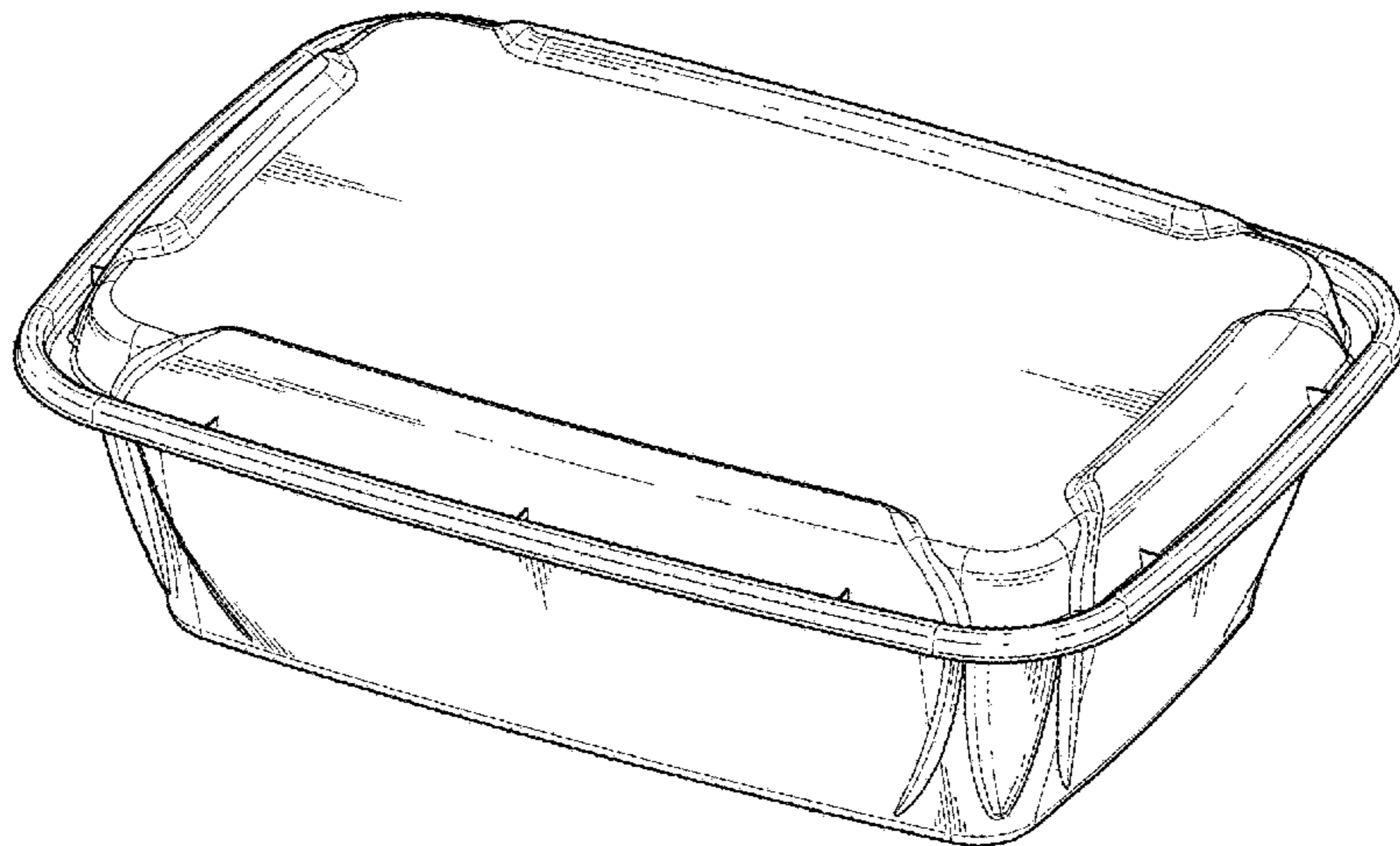
FIG. 15 is an end view of the food container including base and lid shown in FIG. 10.

FIG. 16 is an end view of the food container including base and lid shown in FIG. 10, with the lid separated from the base.

FIG. 17 is a top view of the food container including base and lid shown in FIG. 10; and,

FIG. 18 is a bottom view of the food container including base and lid shown in FIG. 10.

1 Claim, 18 Drawing Sheets



(58) **Field of Classification Search**

CPC A47J 37/0611; A47J 36/08; A47J 27/18;
A47J 36/20

See application file for complete search history.

(56) **References Cited**

U.S. PATENT DOCUMENTS

| | | | |
|-------------------|---------|------------------|-------------------------|
| D372,174 S * | 7/1996 | Arduini | D7/542 |
| D475,620 S * | 6/2003 | Chen | D9/425 |
| D482,573 S * | 11/2003 | Miller | D7/538 |
| D634,164 S * | 3/2011 | Coursey | D7/542 |
| D646,128 S * | 10/2011 | Cetti | D7/629 |
| D668,536 S * | 10/2012 | Sanfilippo | D9/423 |
| D684,466 S * | 6/2013 | Wichmann | D9/426 |
| 2004/0144781 A1 * | 7/2004 | Dees | B65D 11/188 220/4.24 |
| 2007/0007298 A1 * | 1/2007 | Tucker | B65D 43/0206 220/791 |
| 2010/0038274 A1 * | 2/2010 | Segal | B65D 43/168 206/505 |

* cited by examiner

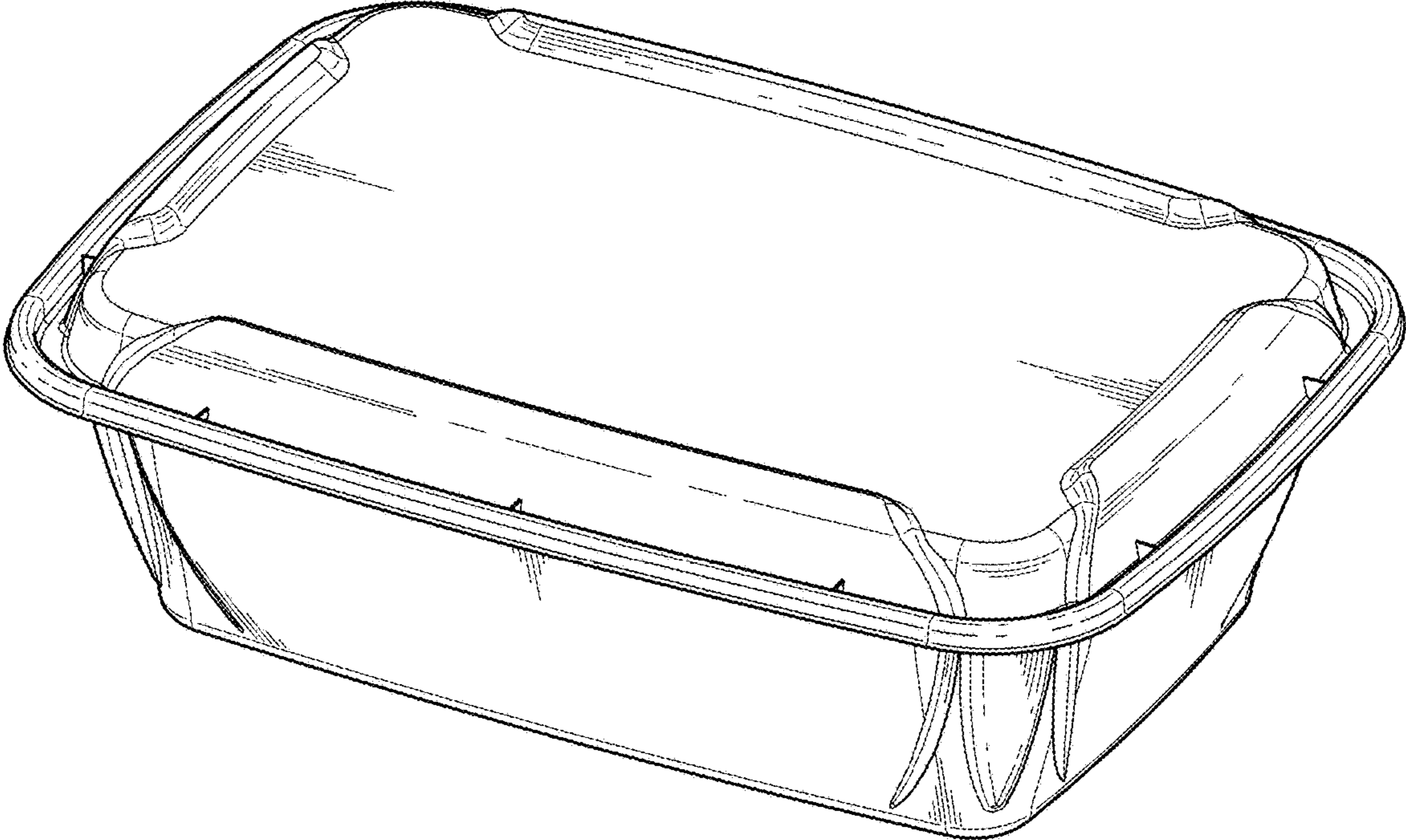


FIG. 1



FIG. 2



FIG. 3

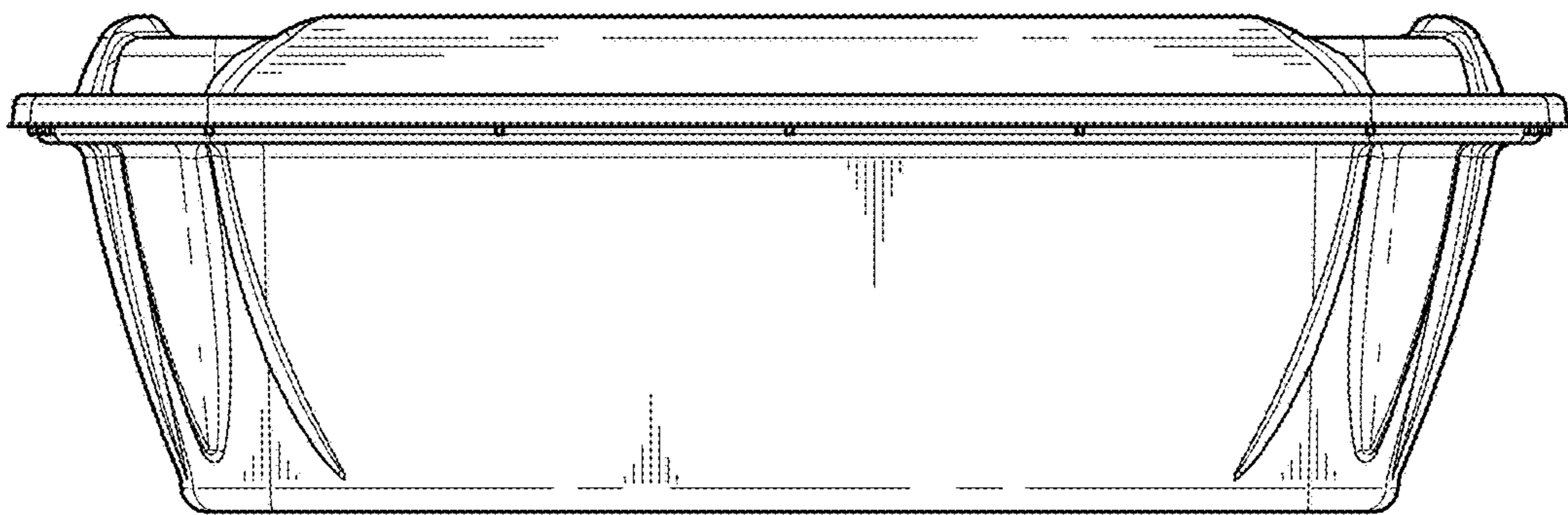


FIG. 4

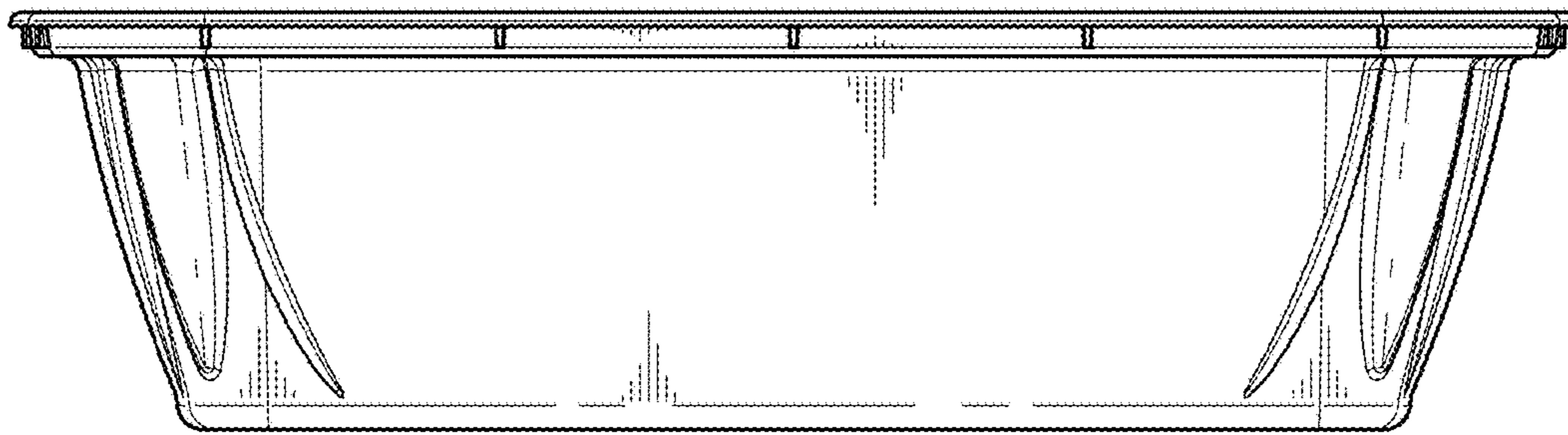
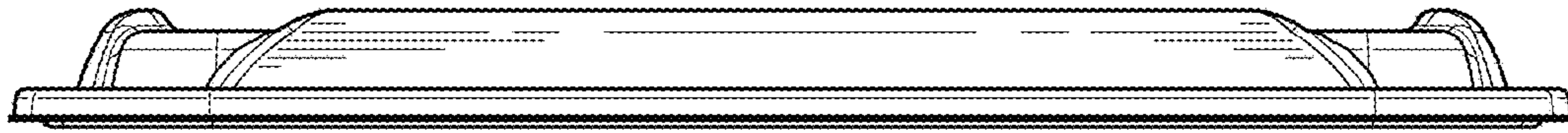


FIG. 5

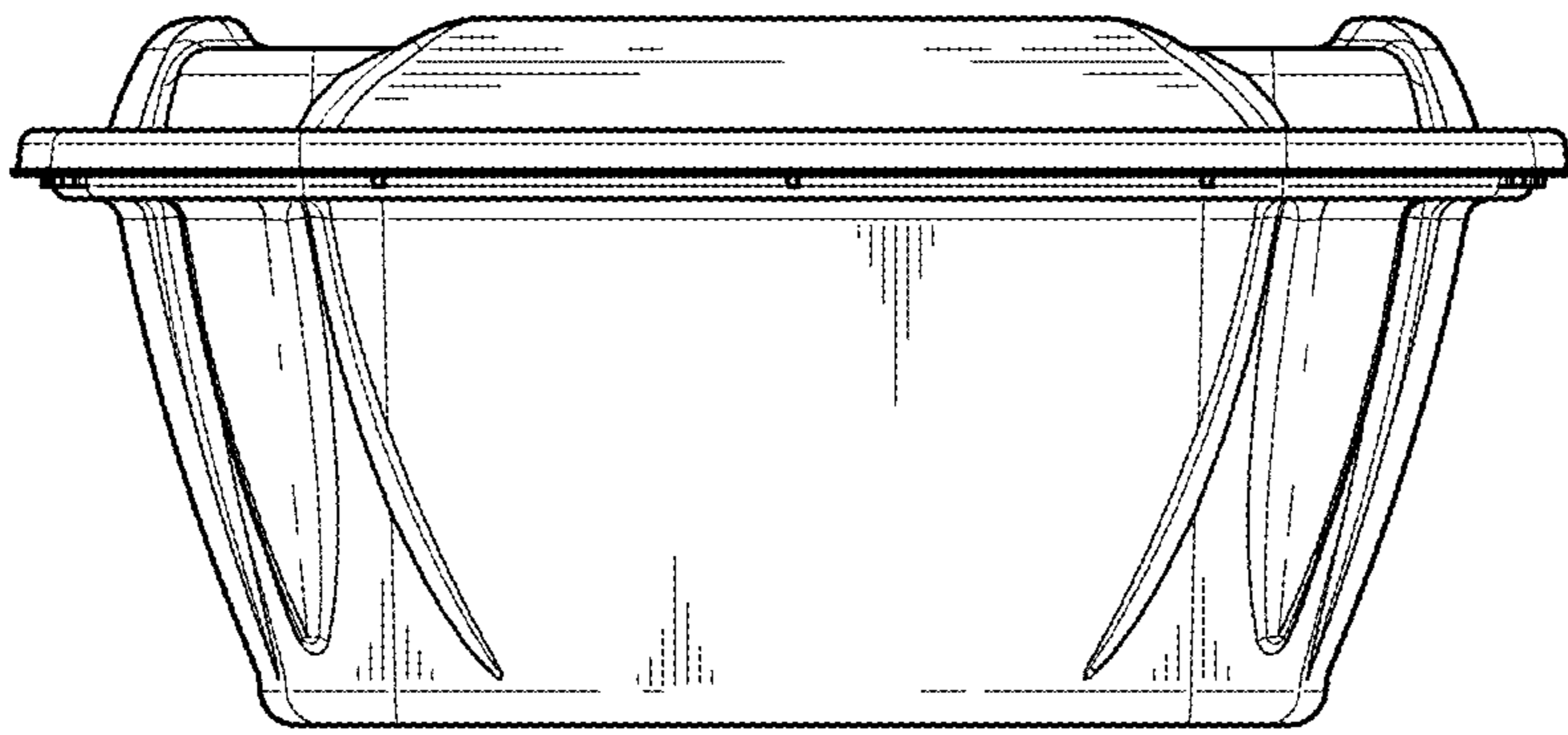


FIG. 6

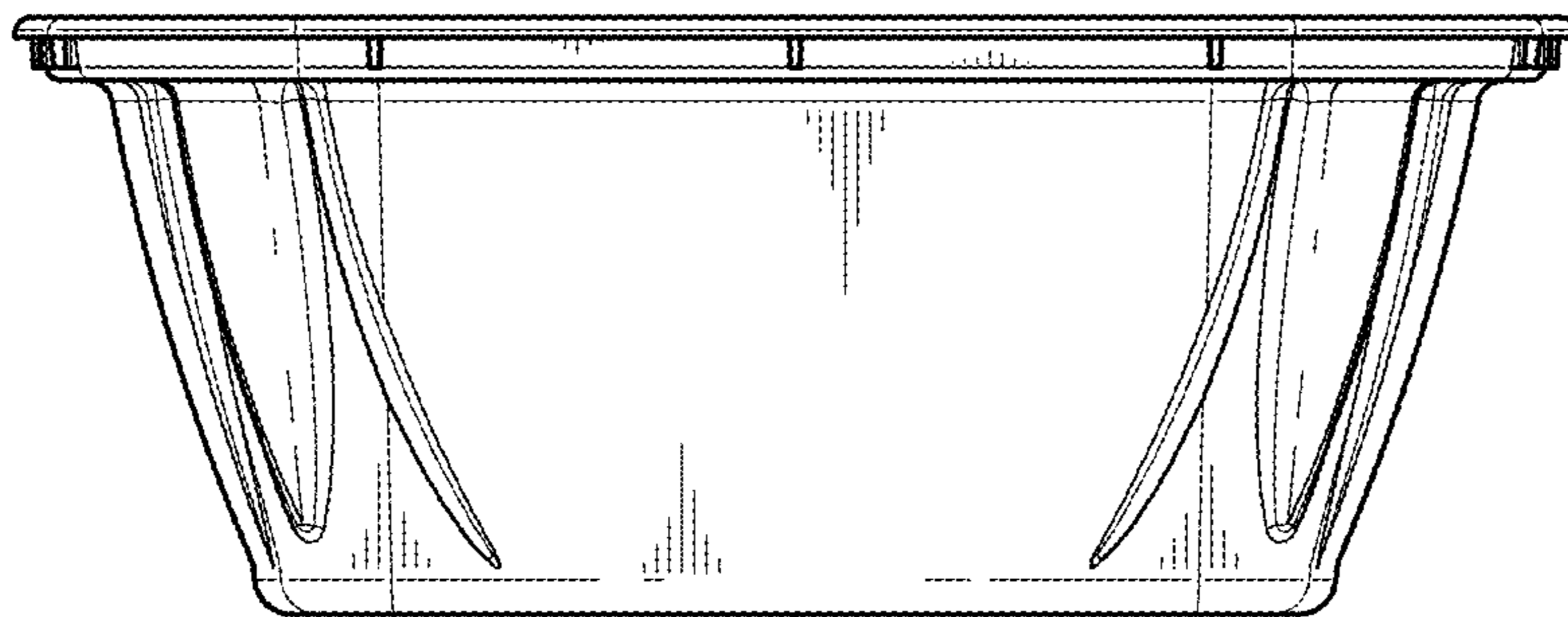
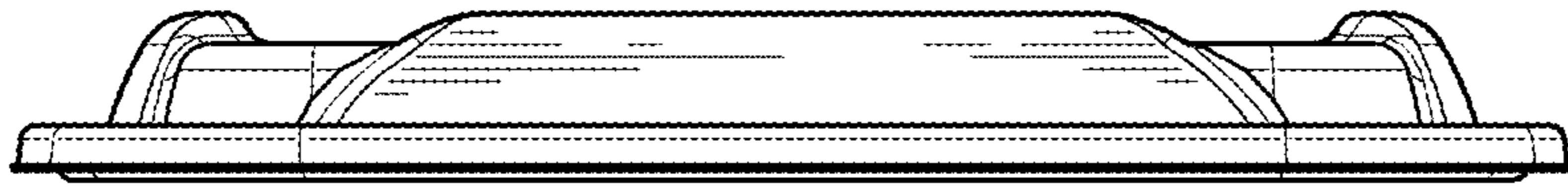


FIG. 7

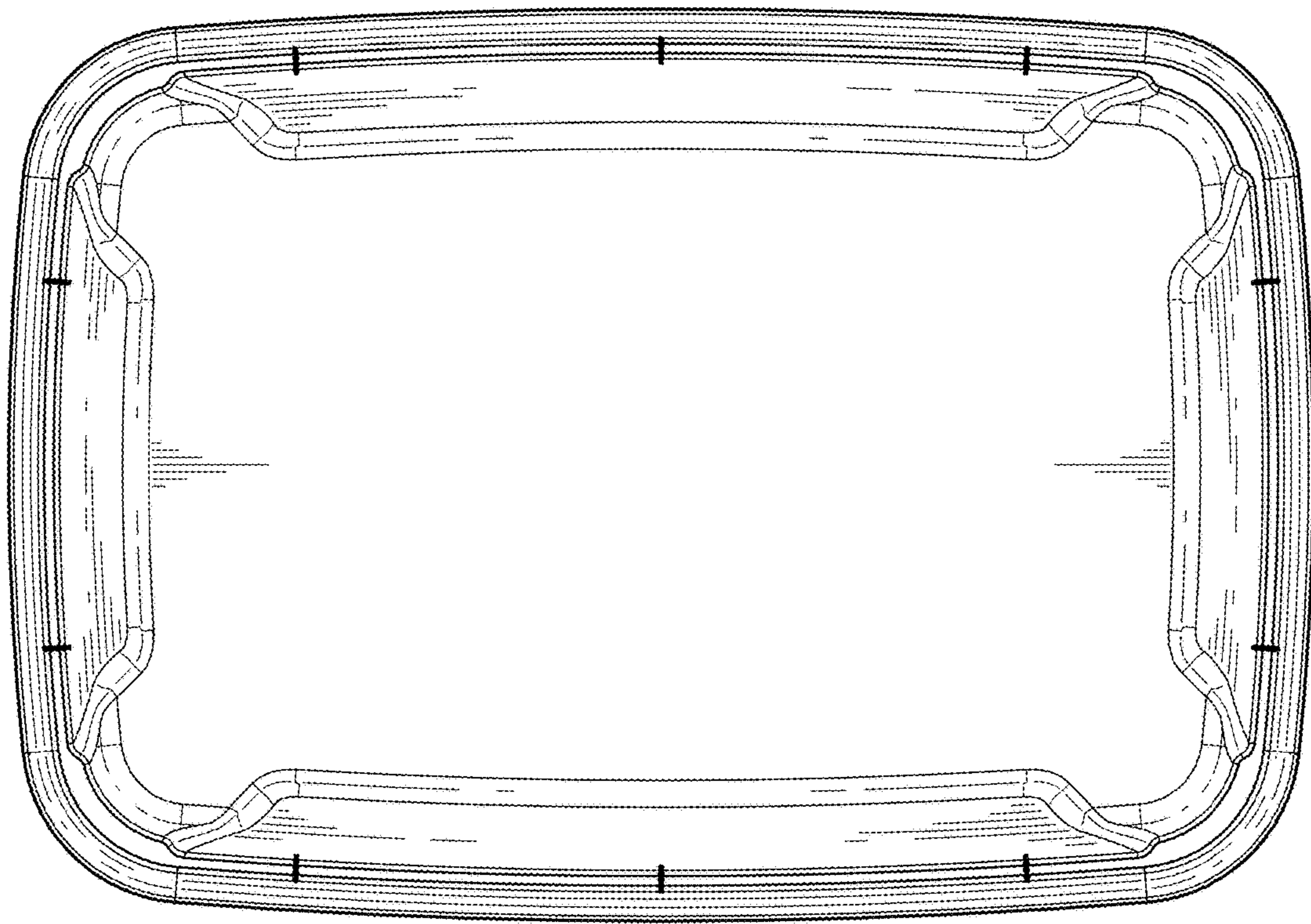


FIG. 8

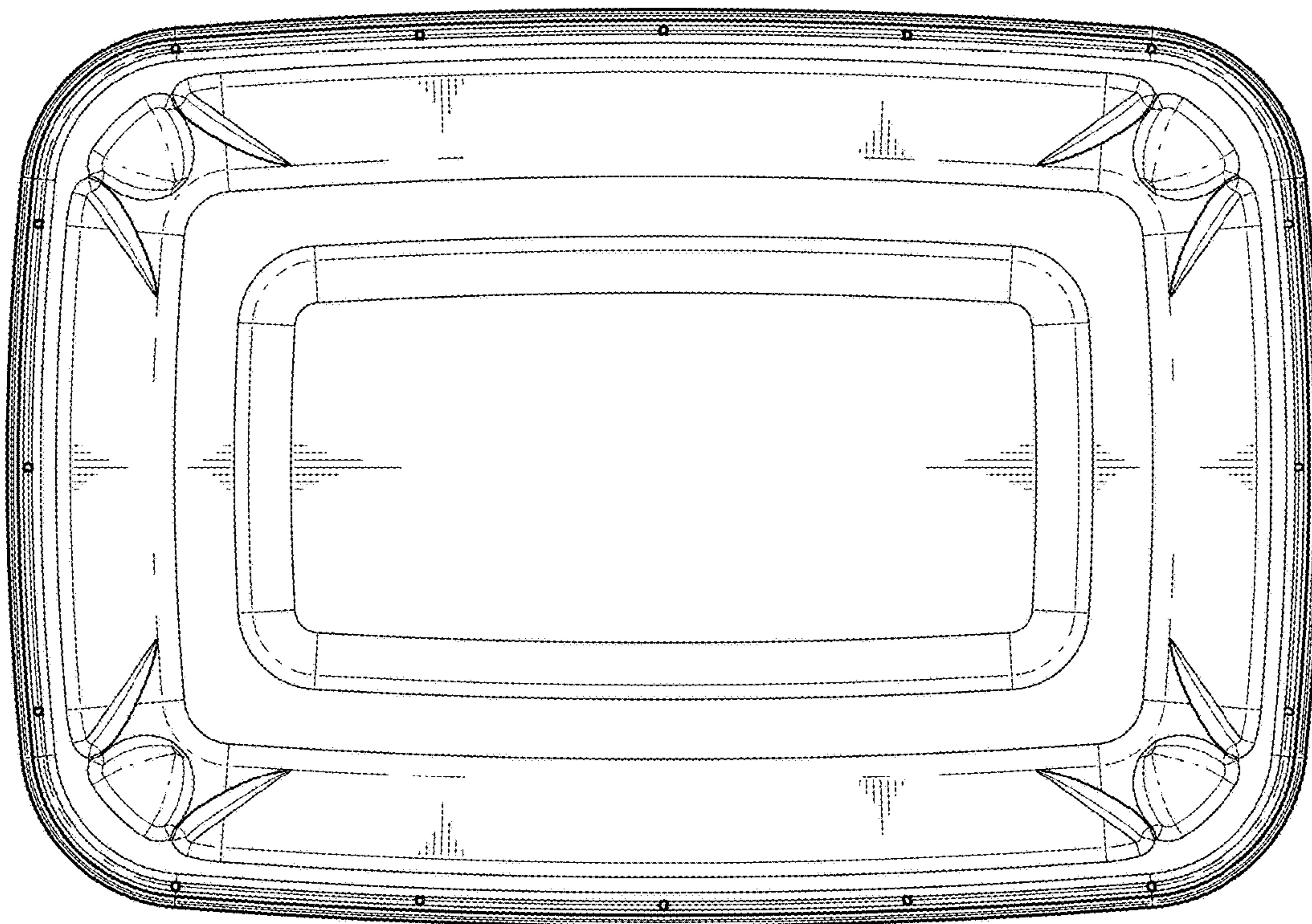


FIG. 9

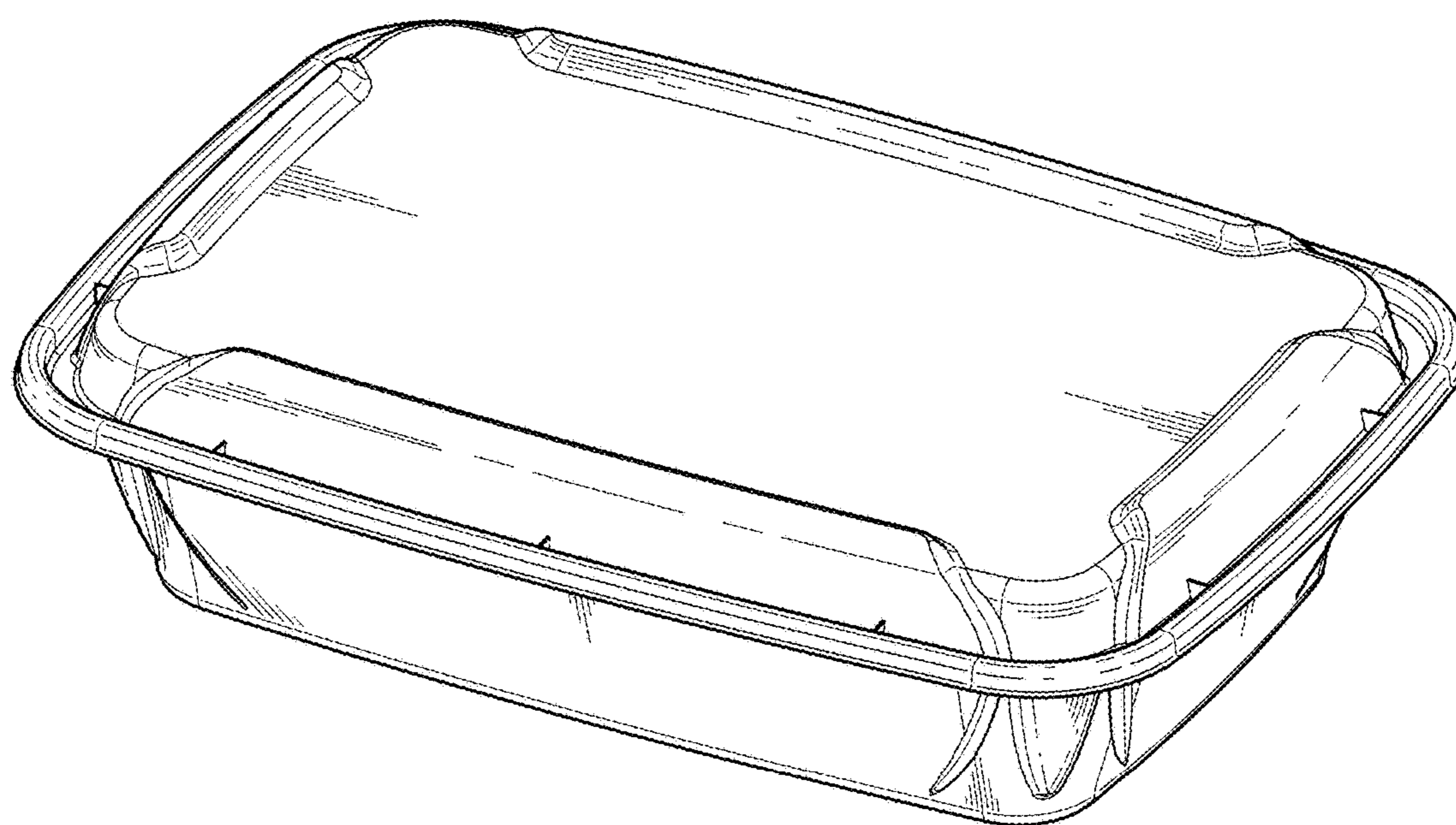


FIG. 10



FIG. 11



FIG. 12

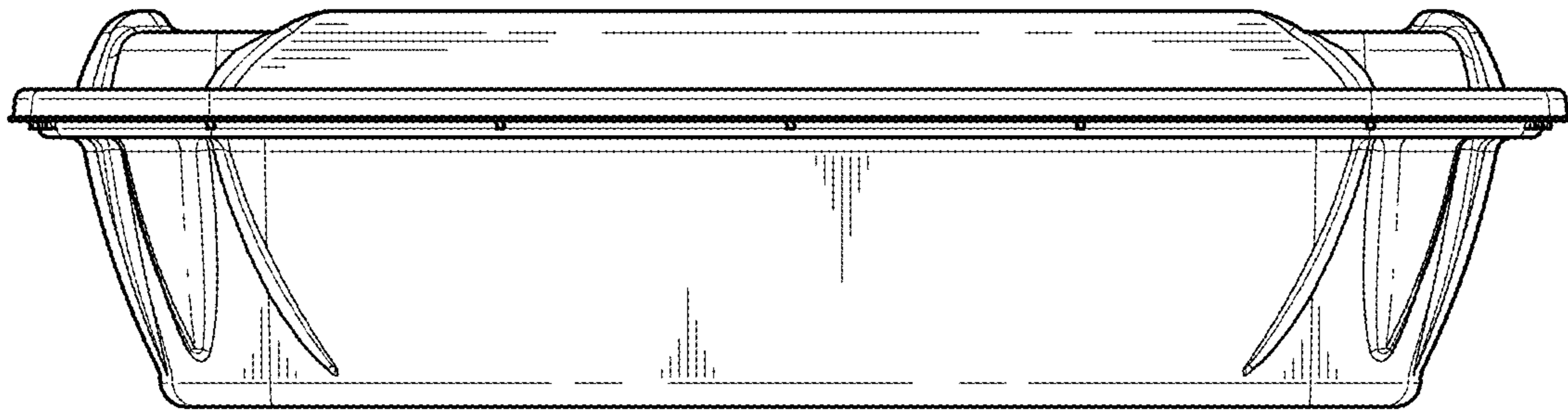


FIG. 13

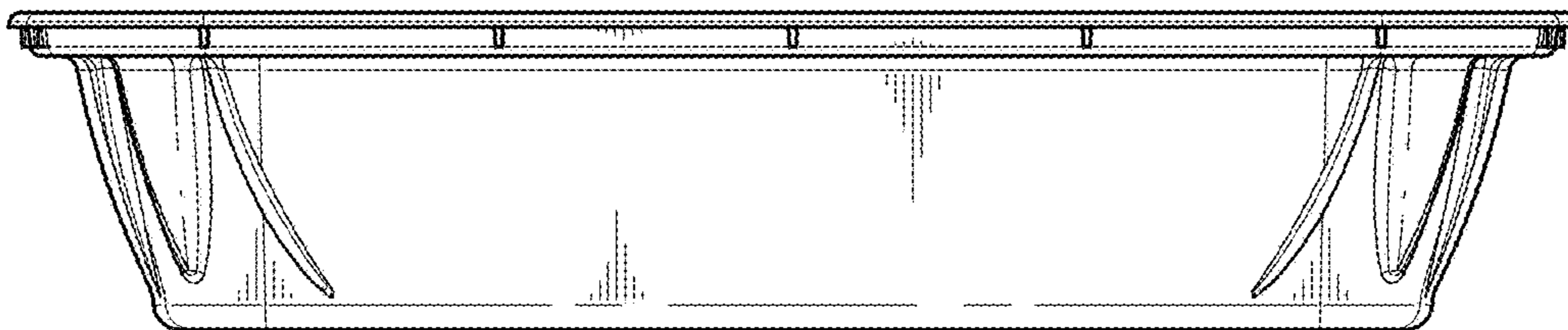


FIG. 14

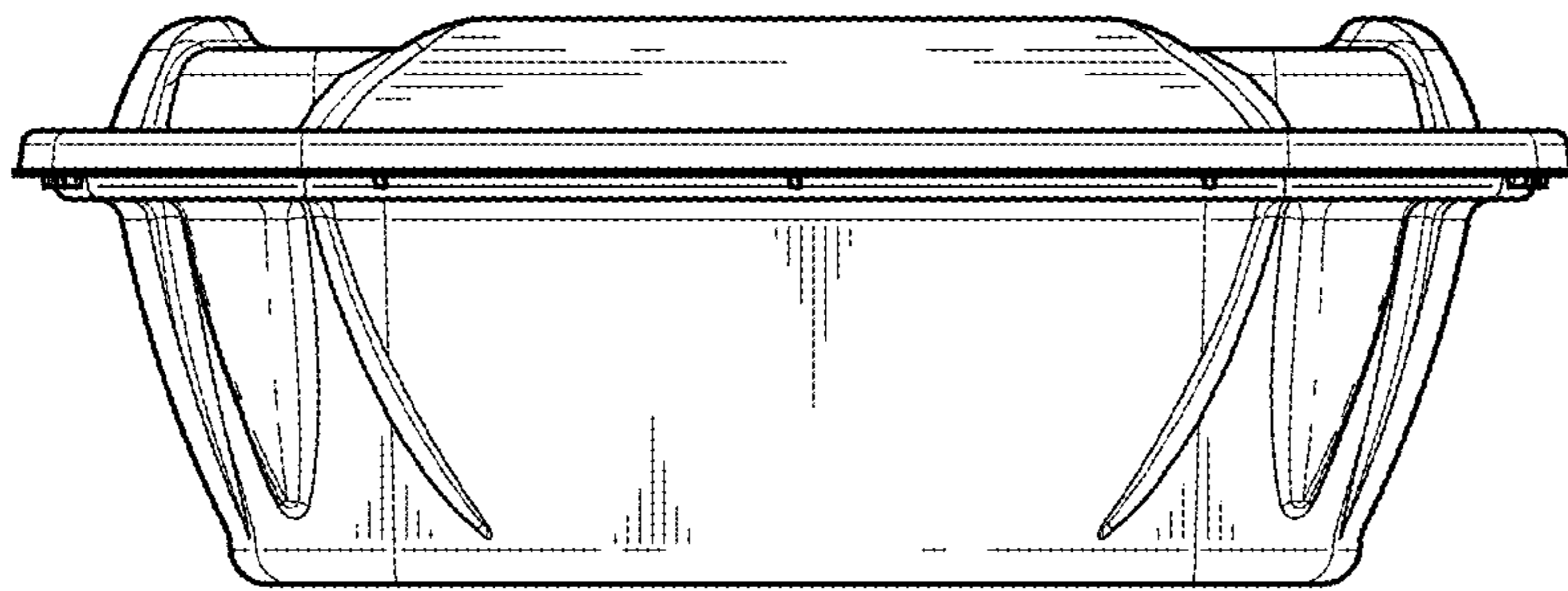


FIG. 15

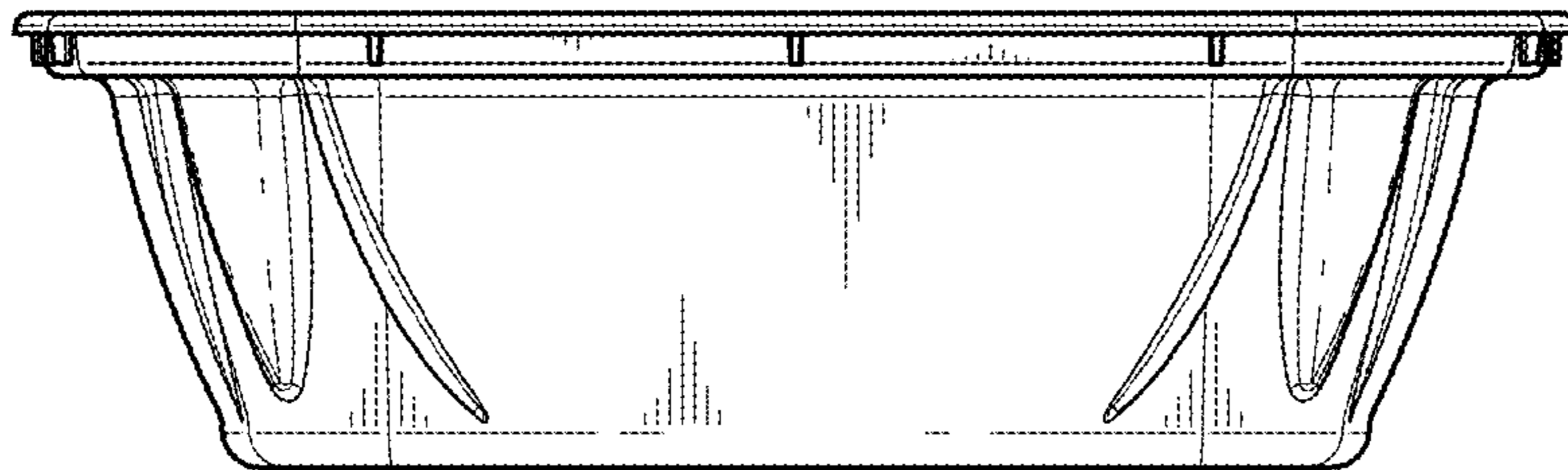
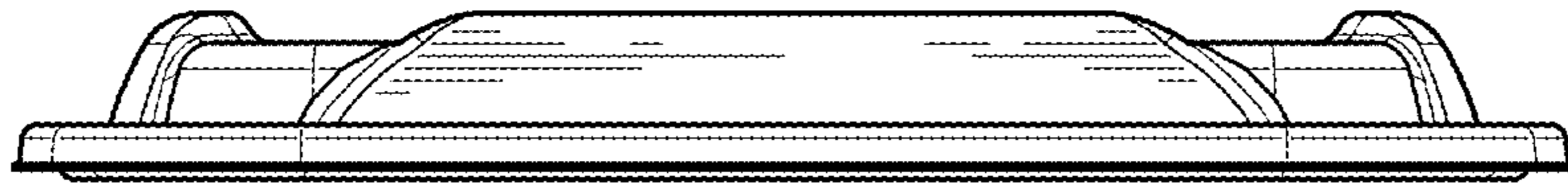


FIG. 16

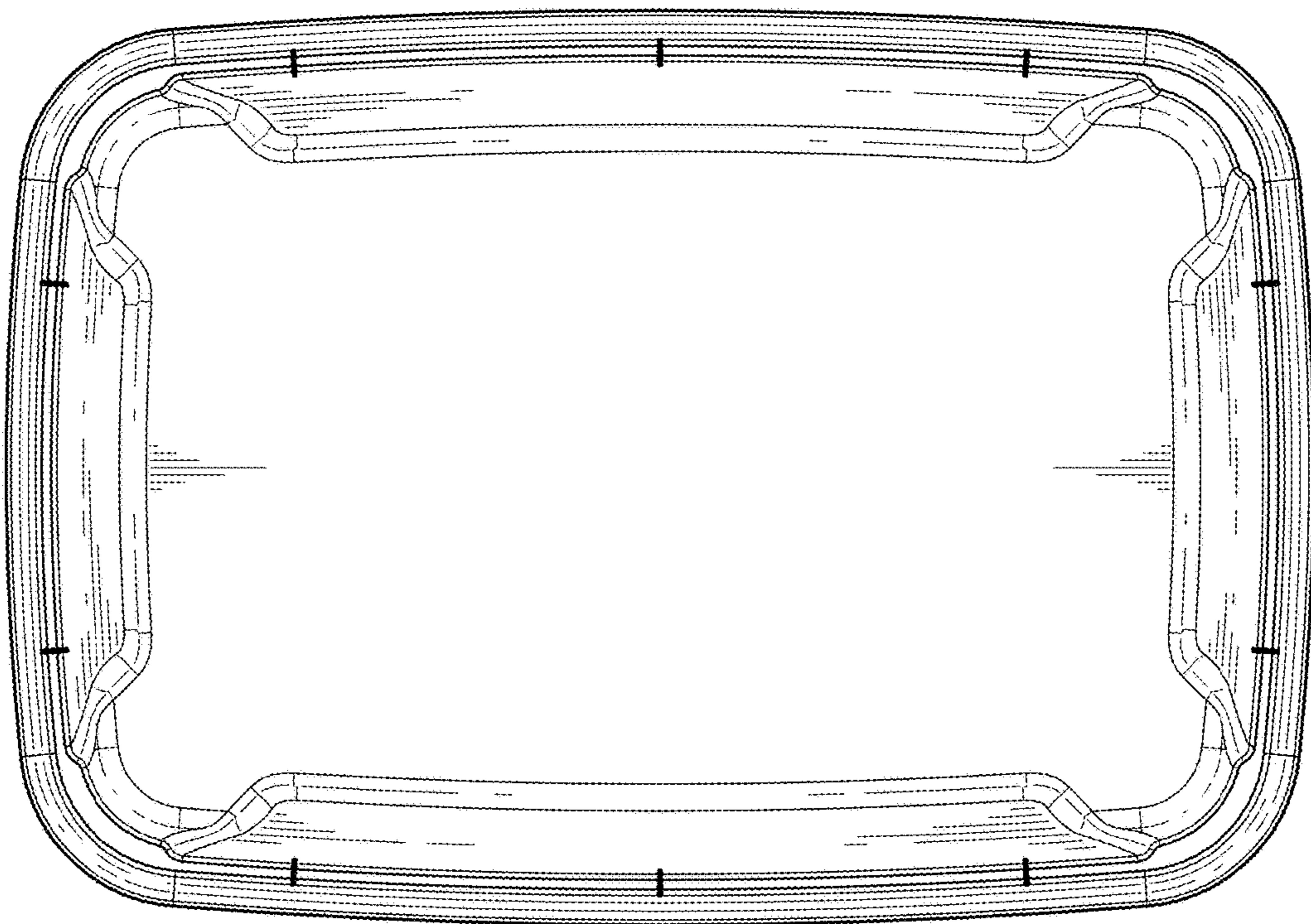


FIG. 17

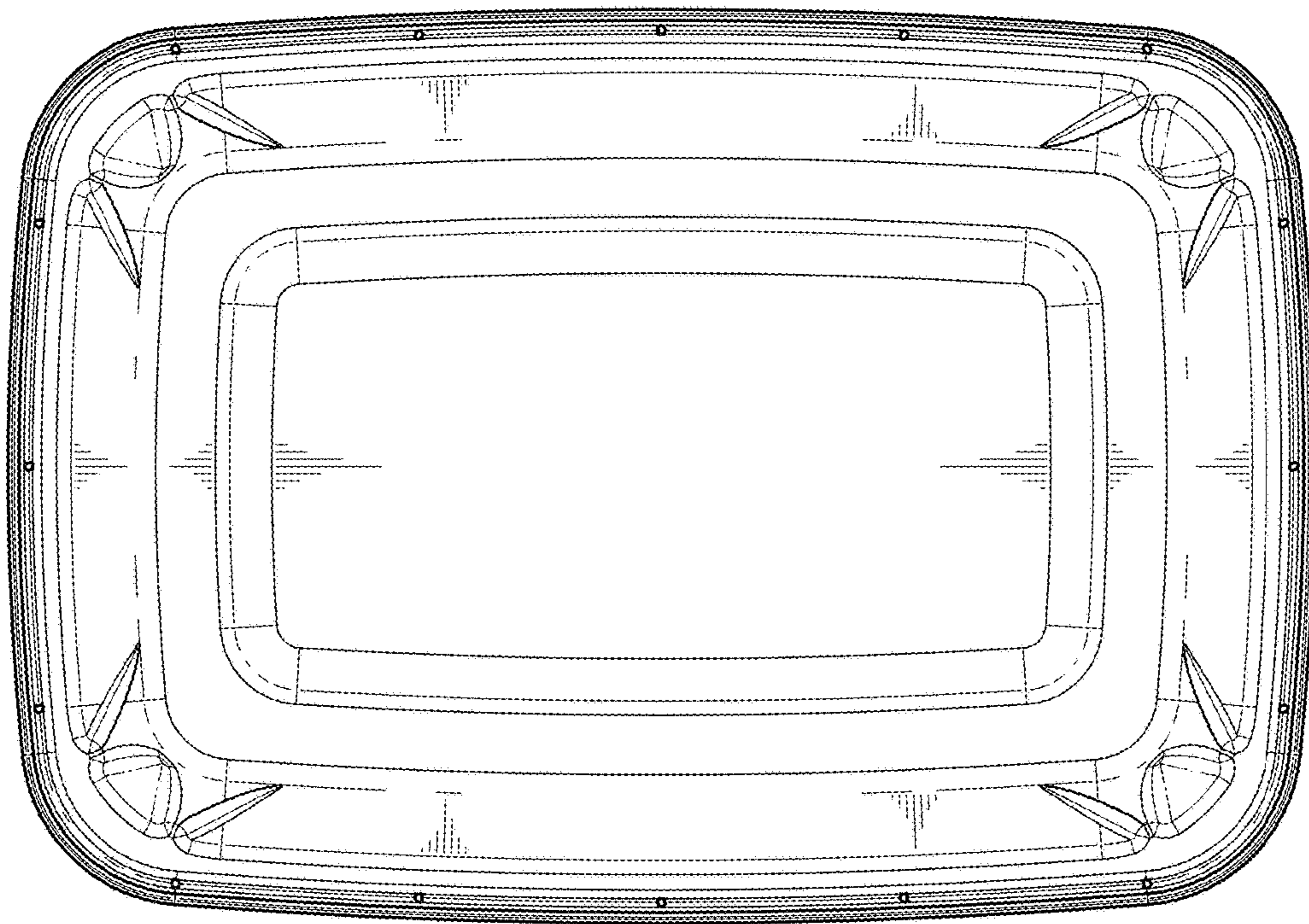


FIG. 18